



US00D339978S

# United States Patent [19]

[11] Patent Number: **Des. 339,978**

Ferdman

[45] Date of Patent: **\*\* Oct. 5, 1993**

## [54] DRAPERY HOOK

[75] Inventor: **Morris Ferdman**, Downsview, Canada

[73] Assignee: **Canadian Drapery Hardware Ltd.**, Downsview, Canada

[\*\*] Term: **14 Years**

[21] Appl. No.: **783,072**

[22] Filed: **Oct. 24, 1991**

### [30] Foreign Application Priority Data

Jun. 20, 1991 [CA]	Canada	20-06-91-18
[52] U.S. Cl.		<b>D8/368; D8/370</b>
[58] Field of Search		<b>D8/368-369, D8/370; 160/348-349.1, 349.2; 248/302, 304, 215</b>

### [56] References Cited

#### U.S. PATENT DOCUMENTS

D. 277,055	1/1985	Buchanan	D8/363 X
D. 280,596	9/1985	Keeler	D8/370 X
D. 281,950	12/1985	Sachs	D8/370
D. 286,261	10/1986	Smederöd	D08/354
464,499	12/1891	Grenelle	160/349.2 X
851,678	4/1907	Levy	D8/368 X
2,431,934	12/1947	Higgins	160/349.2
2,532,255	11/1950	Davis	248/215
2,596,835	5/1952	Benge	43/24
4,958,646	9/1990	Hannerstag	160/348

#### FOREIGN PATENT DOCUMENTS

1196698	11/1959	France	248/304
20736	of 1905	United Kingdom	160/349.2
26399	10/1913	United Kingdom	160/349.2

## OTHER PUBLICATIONS

Holiday Gifts, 1974, p. 87, hanging bracket, circled at bottom left corner of page.

German Patent Publication, Dec. 4, 1984, no page, drapery hook, circled item at left of page.

Two page extract from Swedecor (by AB A. Svensson & Co) "The Spiral", the Triple Spiral.

Primary Examiner—Wallace R. Burke

Assistant Examiner—H. Baynham

Attorney, Agent, or Firm—Bereskin & Parr

## [57] CLAIM

The ornamental design for a drapery hook, as shown.

## DESCRIPTION

FIG. 1 is a front, left perspective view of a drapery hook showing my new design;

FIG. 2 is a rear perspective view thereof;

FIG. 3 is a front elevational view thereof;

FIG. 4 is a side elevational view thereof;

FIG. 5 is a right, front perspective view of a second embodiment of the design shown in FIG. 1;

FIG. 6 is a left, front perspective view of a third embodiment of the design shown in FIG. 1;

FIG. 7 is a rear perspective view thereof;

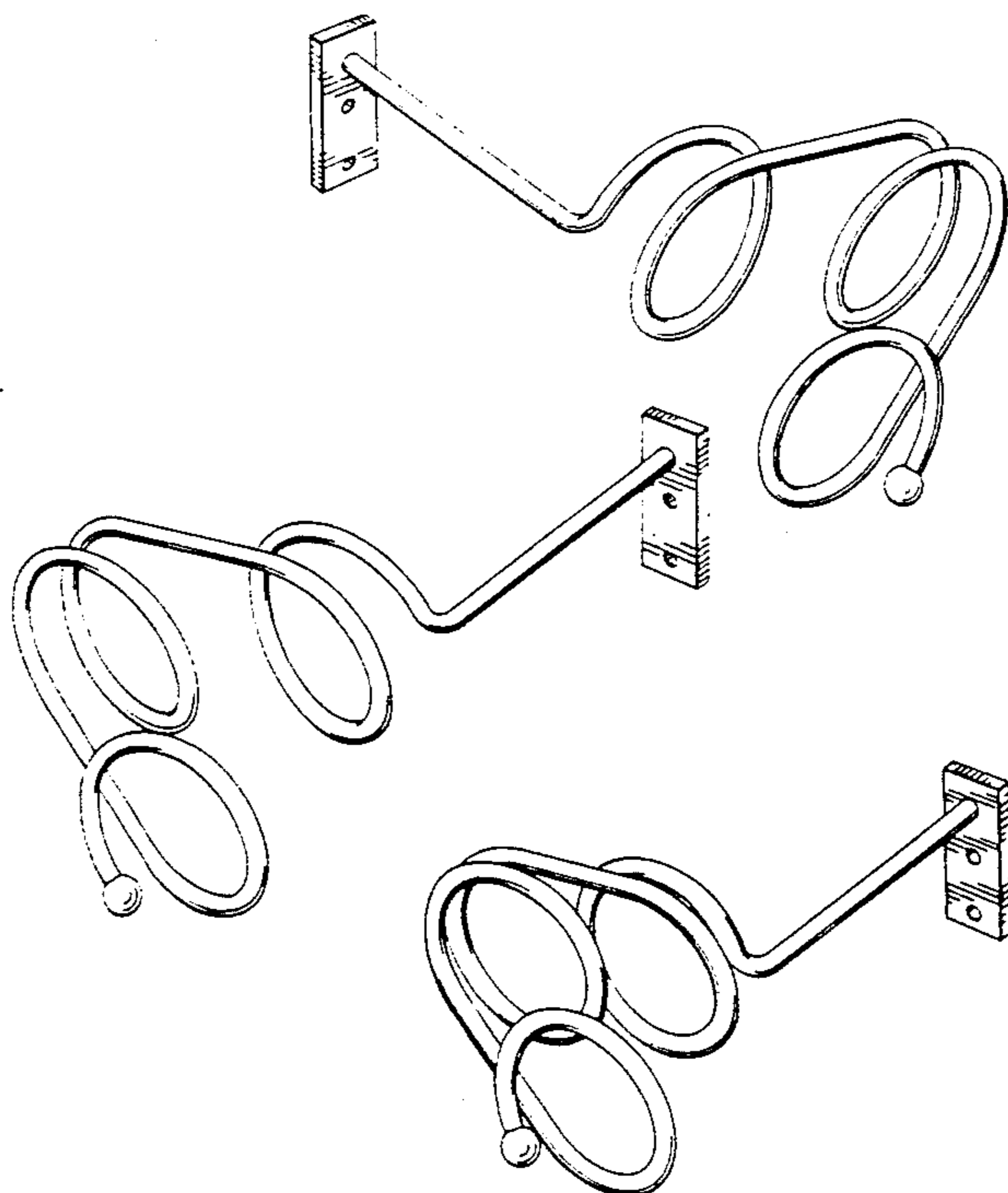
FIG. 8 is a front elevational view thereof;

FIG. 9 is a side elevational view thereof; and,

FIG. 10 is a right, front perspective view of a fourth embodiment of the design shown in FIG. 1.

The undisclosed front and side elevational and rear perspective views of FIG. 5 are mirror images of those shown in FIGS. 2, 3 and 4.

The undisclosed front and side elevational and rear perspective views of FIG. 10 are mirror images of those shown in FIGS. 7, 8 and 9.



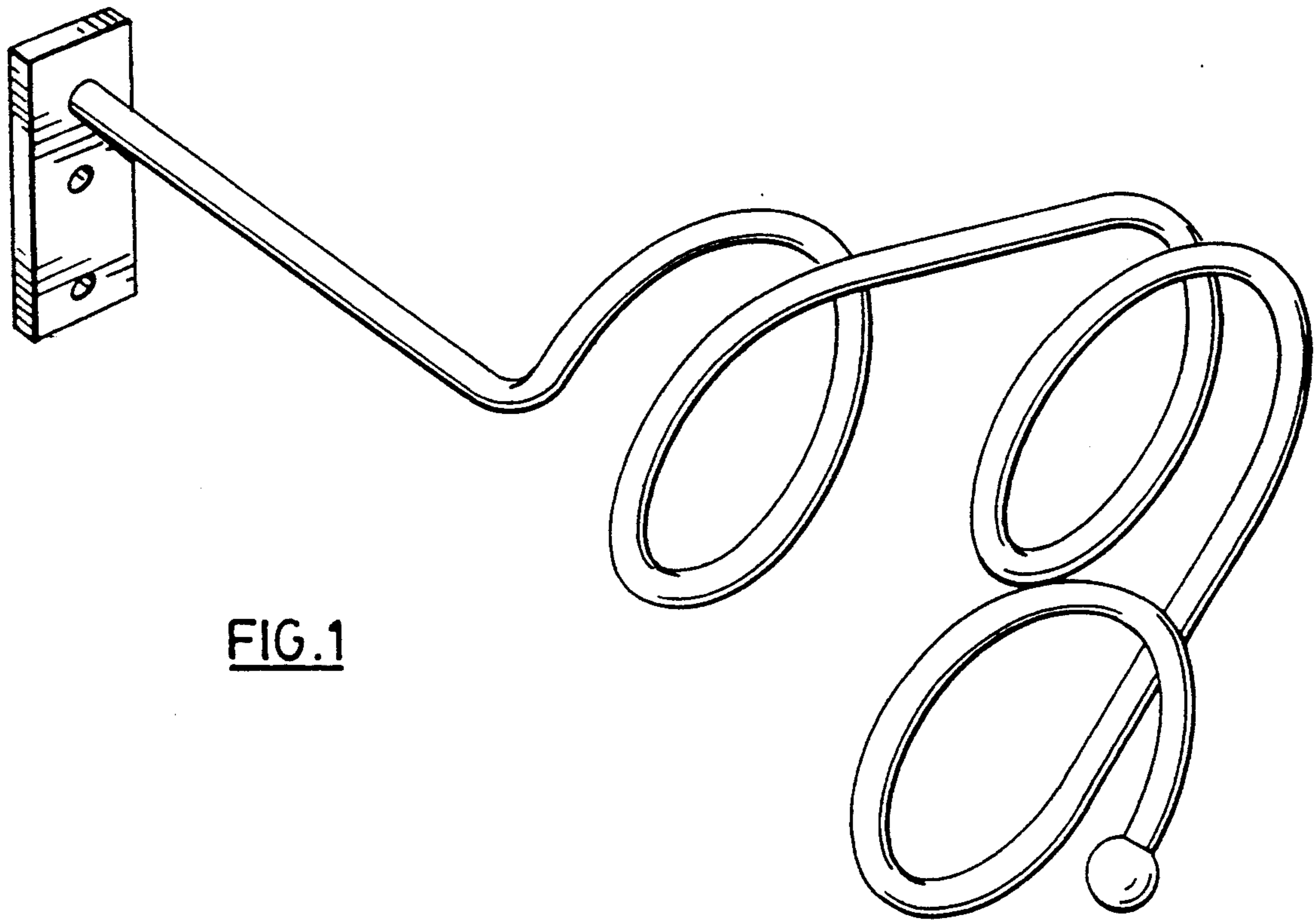


FIG. 1

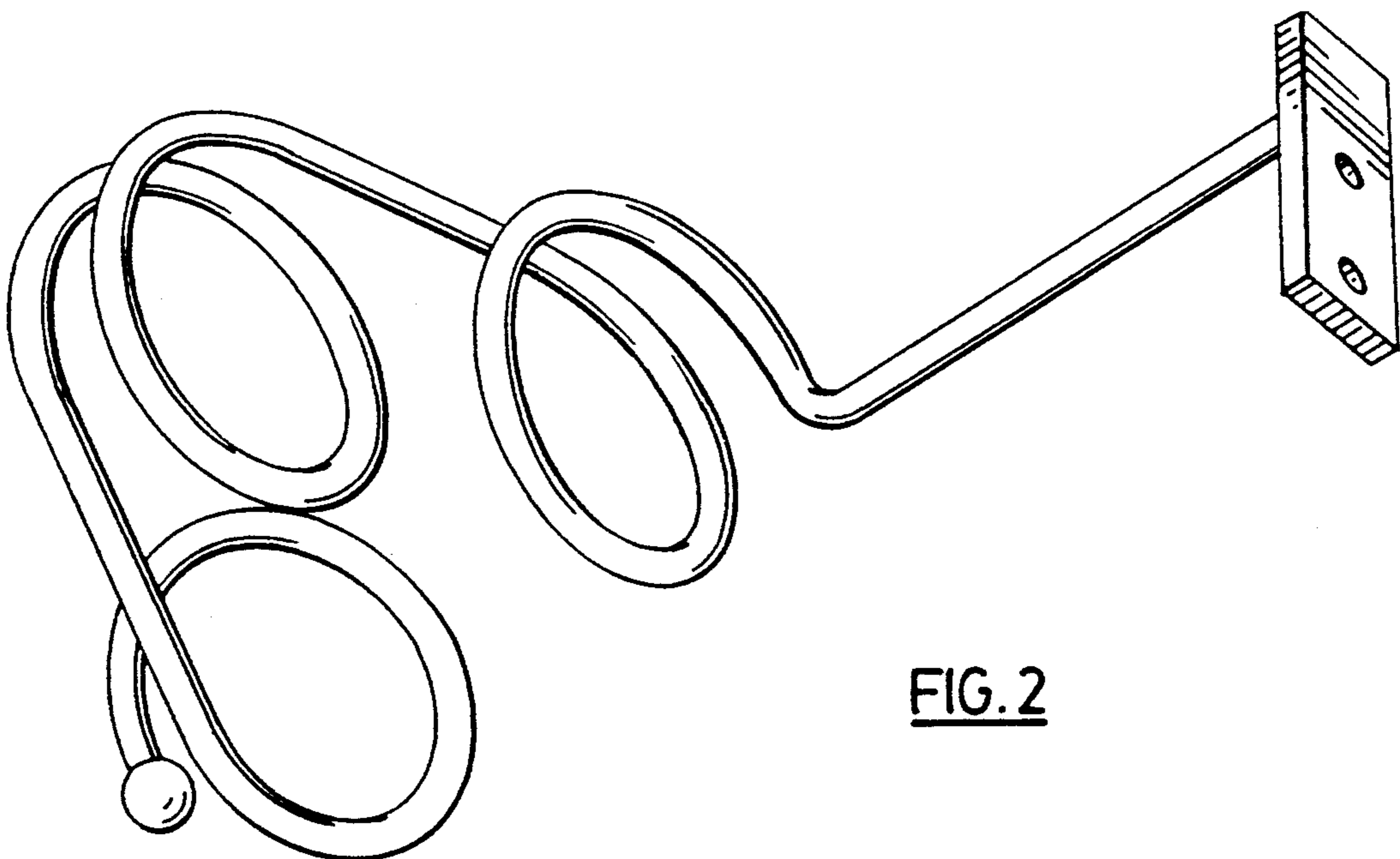


FIG. 2

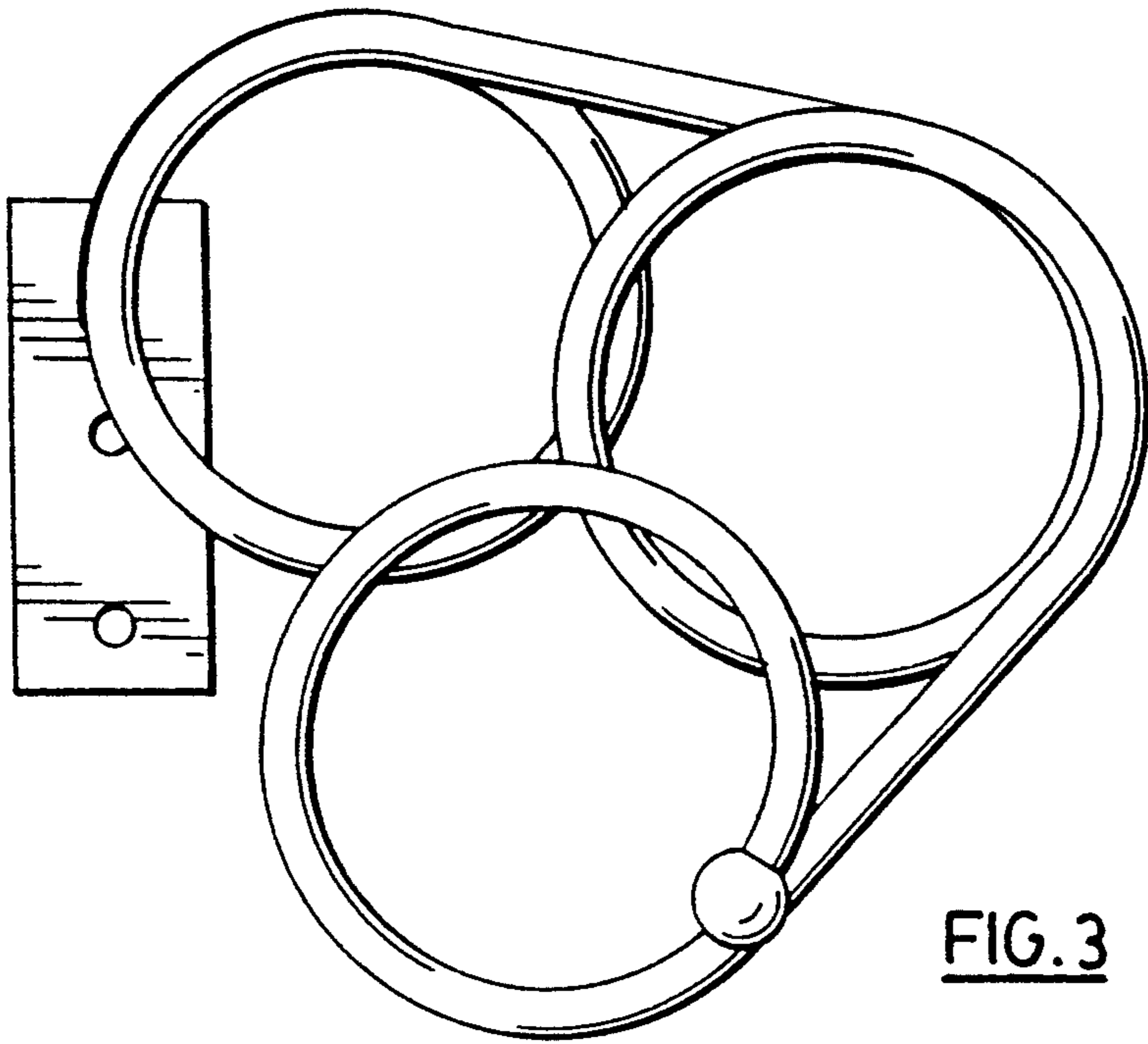


FIG. 3

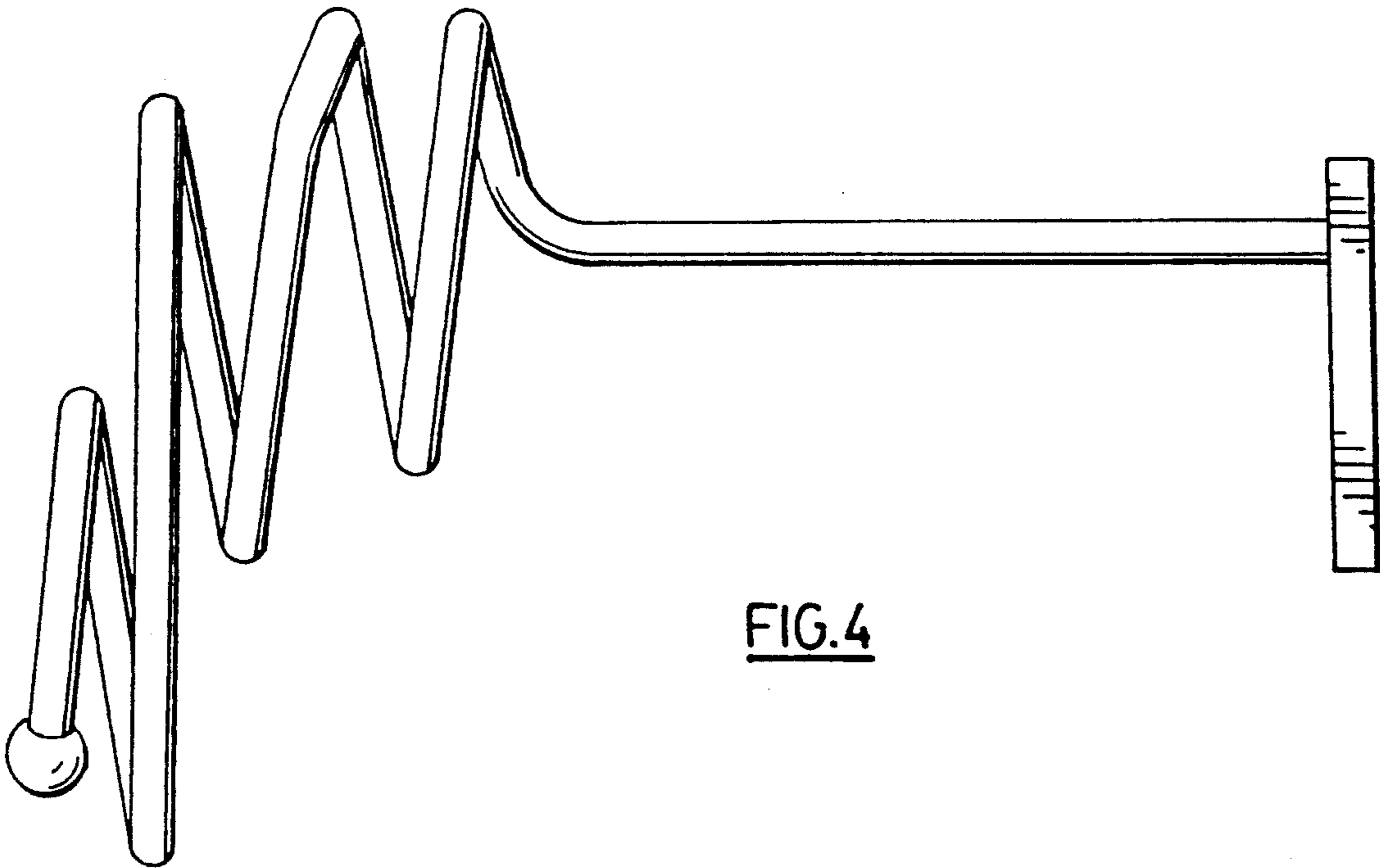


FIG. 4

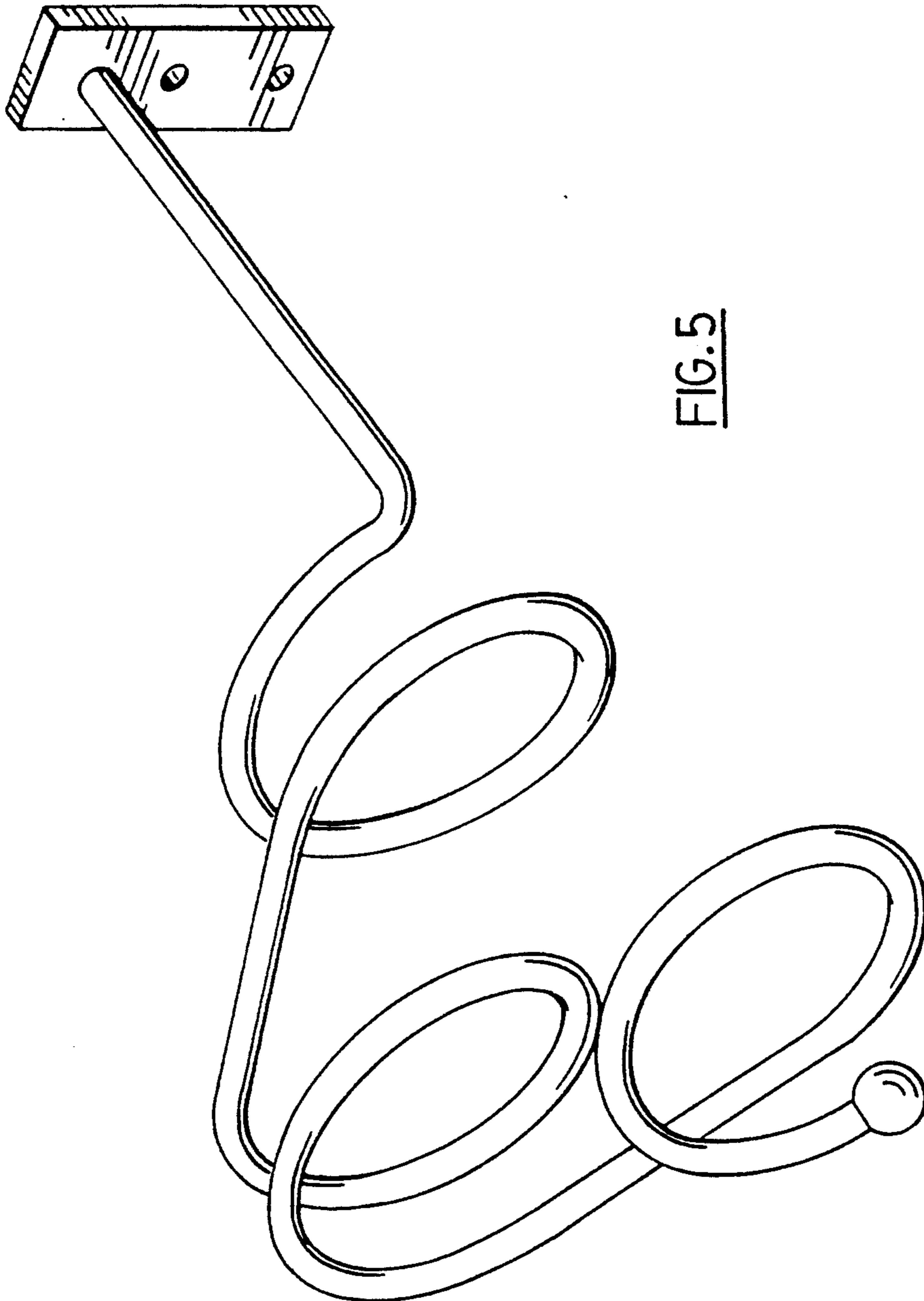


FIG. 5

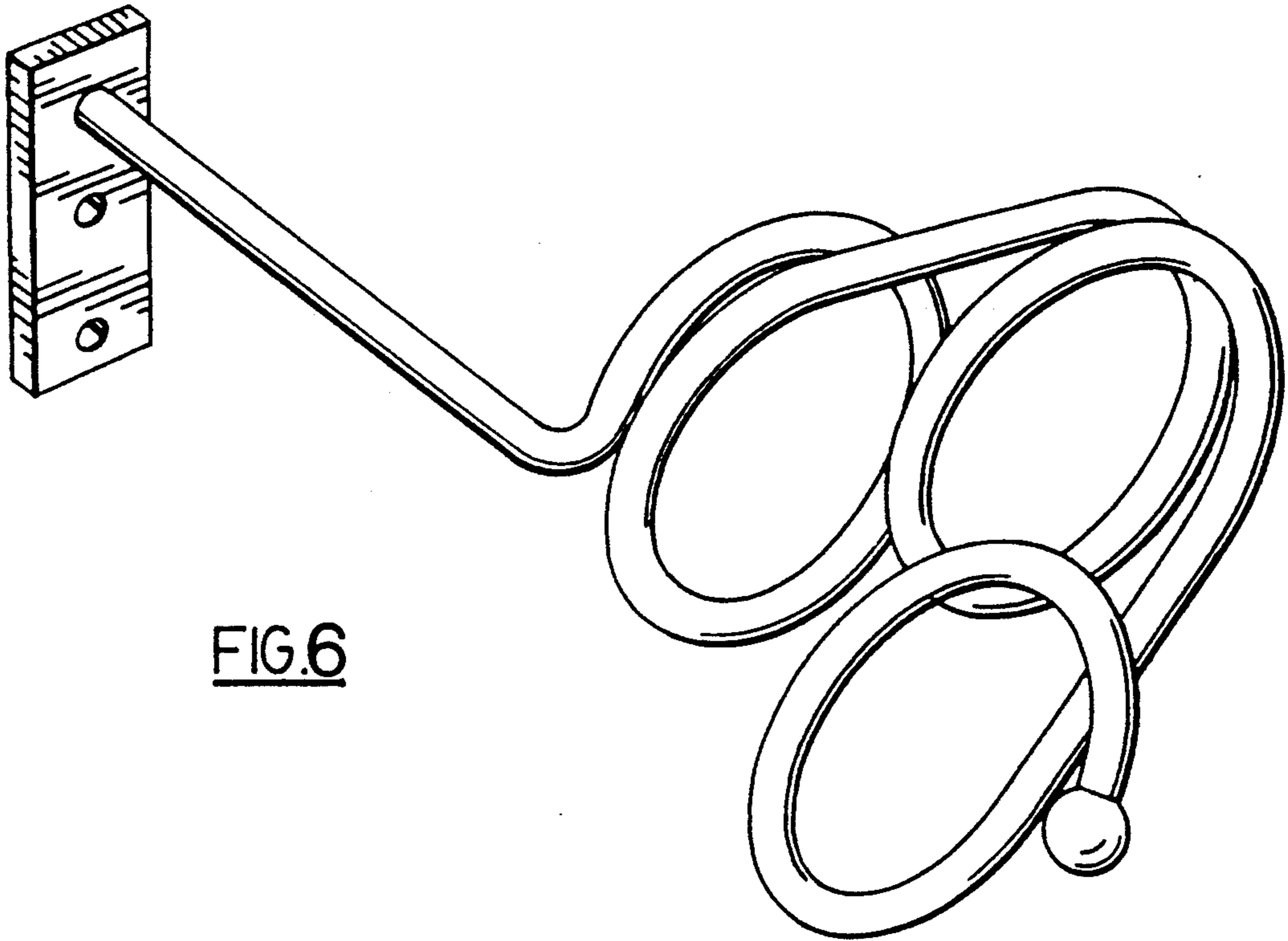


FIG. 6

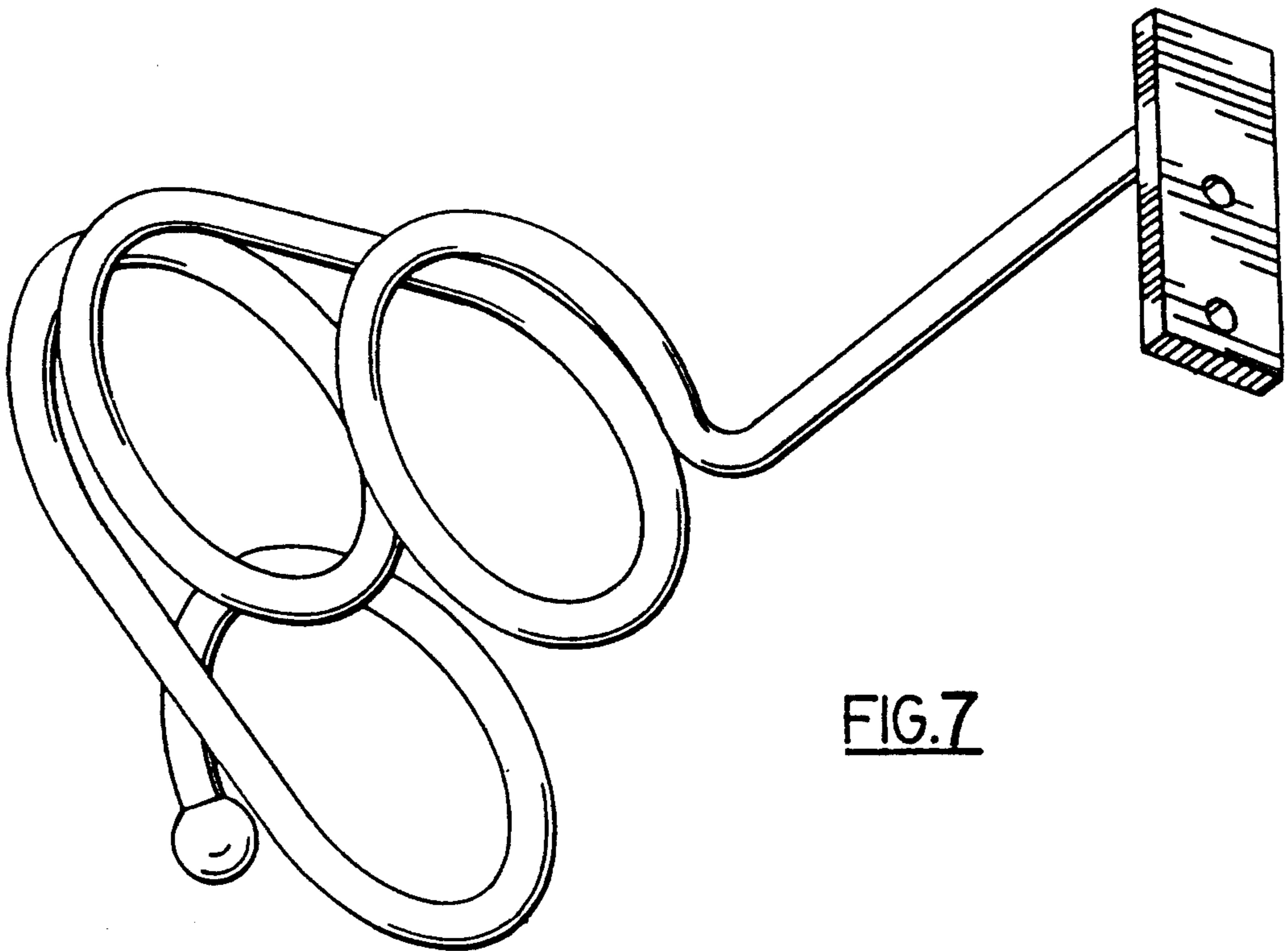
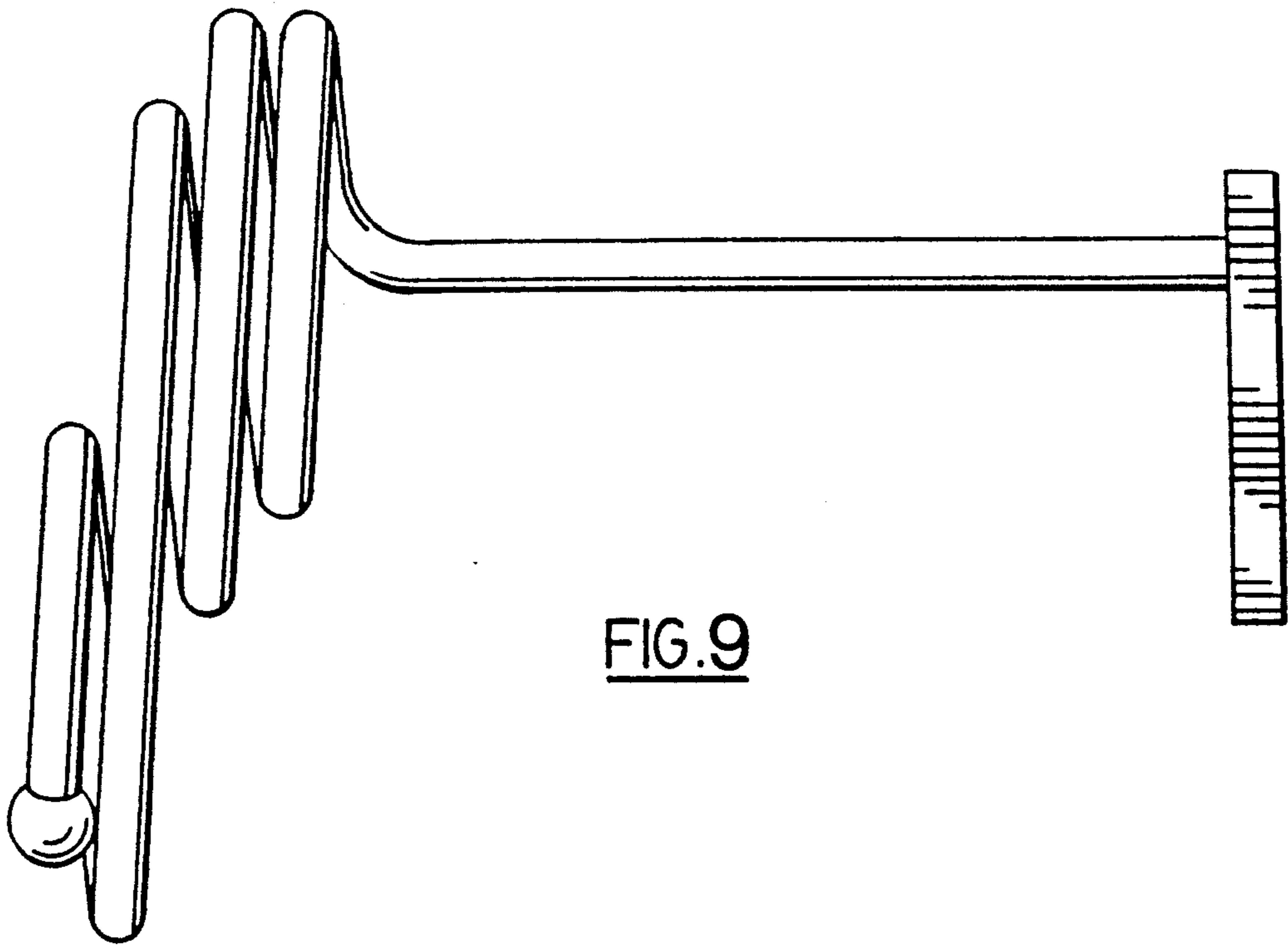
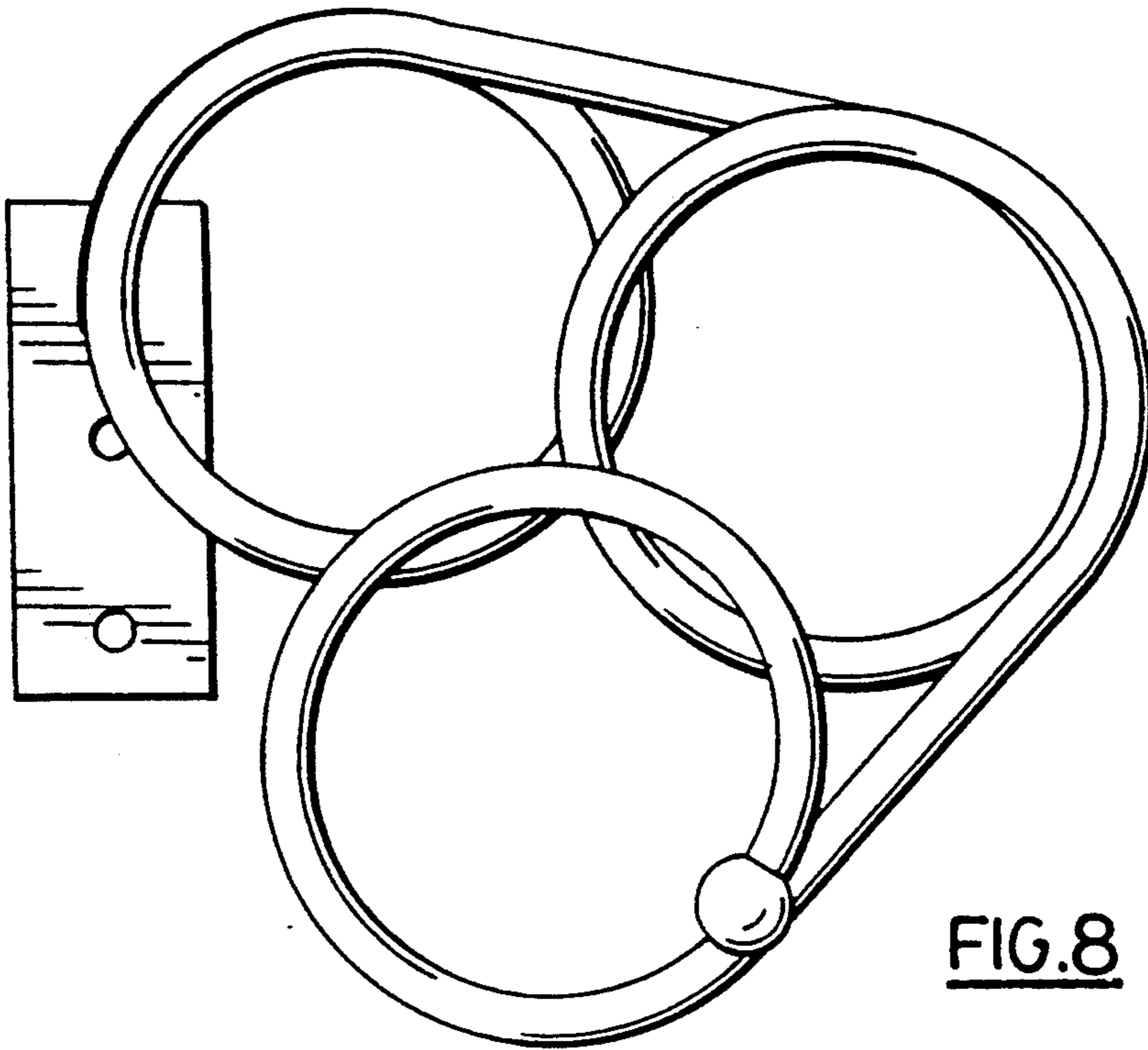


FIG. 7



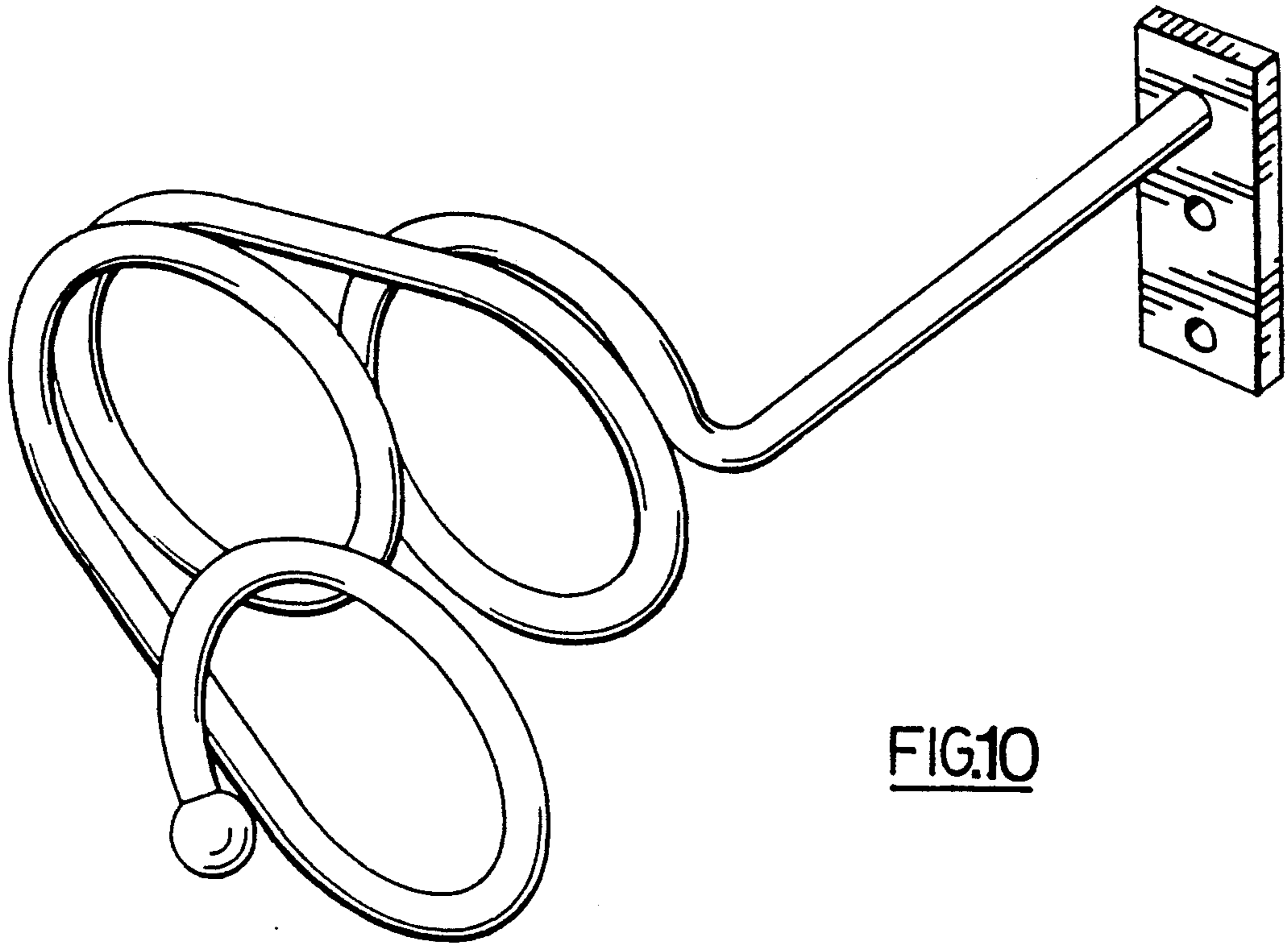


FIG.10