



US00D339972S

United States Patent [19]

[11] Patent Number: **Des. 339,972**

Forman

[45] Date of Patent: **** Oct. 5, 1993**

[54] **HAMMER**

[76] Inventor: **Edward P. Forman**, 1230 Honey Lake Rd., Lake Zurich, Ill. 60047

[**] Term: **14 Years**

[21] Appl. No.: **817,103**

[22] Filed: **Dec. 23, 1991**

[52] U.S. Cl. **D8/77**

[58] Field of Search **D8/75, 77, 78; 81/19, 81/20, 24, 26, 27, 22**

[56] **References Cited**

U.S. PATENT DOCUMENTS

- D. 54,162 11/1919 Edelmann D8/75
- D. 182,076 2/1958 MacMinn D8/77
- D. 182,077 2/1958 MacMinn D8/77

- D. 182,132 2/1958 MacMinn D8/77
- D. 182,133 2/1958 MacMinn D8/77
- D. 182,134 2/1958 MacMinn D8/77
- D. 302,932 8/1989 Chapin et al. D8/75
- 3,253,329 5/1966 Lehn 81/22

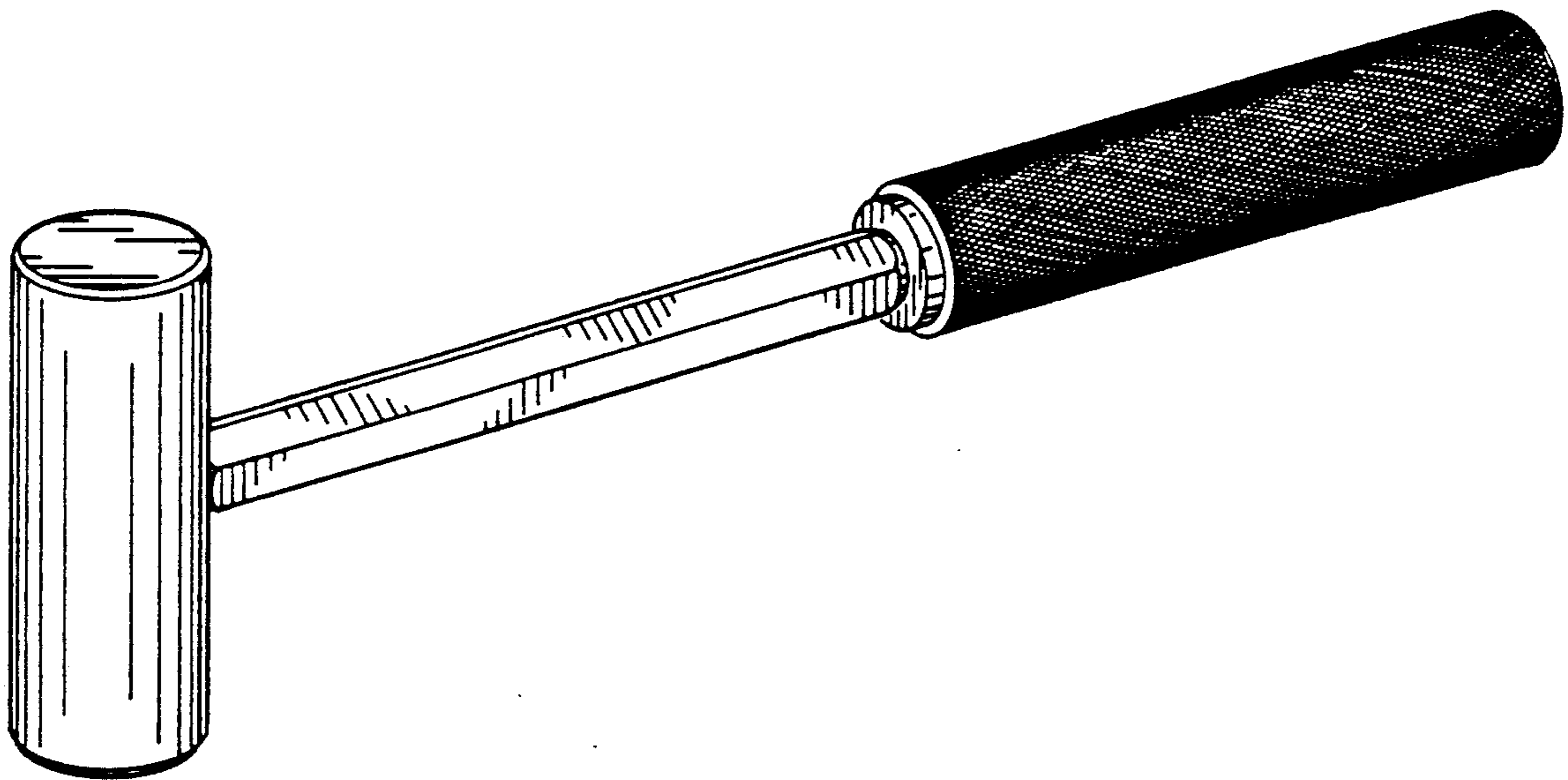
Primary Examiner—Bernard Ansher
Assistant Examiner—Philip Hyder
Attorney, Agent, or Firm—Leydig, Voit & Mayer

[57] **CLAIM**

The ornamental design for a hammer, as shown.

DESCRIPTION

FIG. 1 is a perspective view of a hammer according to my new design;
FIG. 2 is a top plan view thereof;
FIG. 3 is a front plan view thereof;
FIG. 4 is a right side elevational view thereof; and,
FIG. 5 is a left side elevational view thereof.



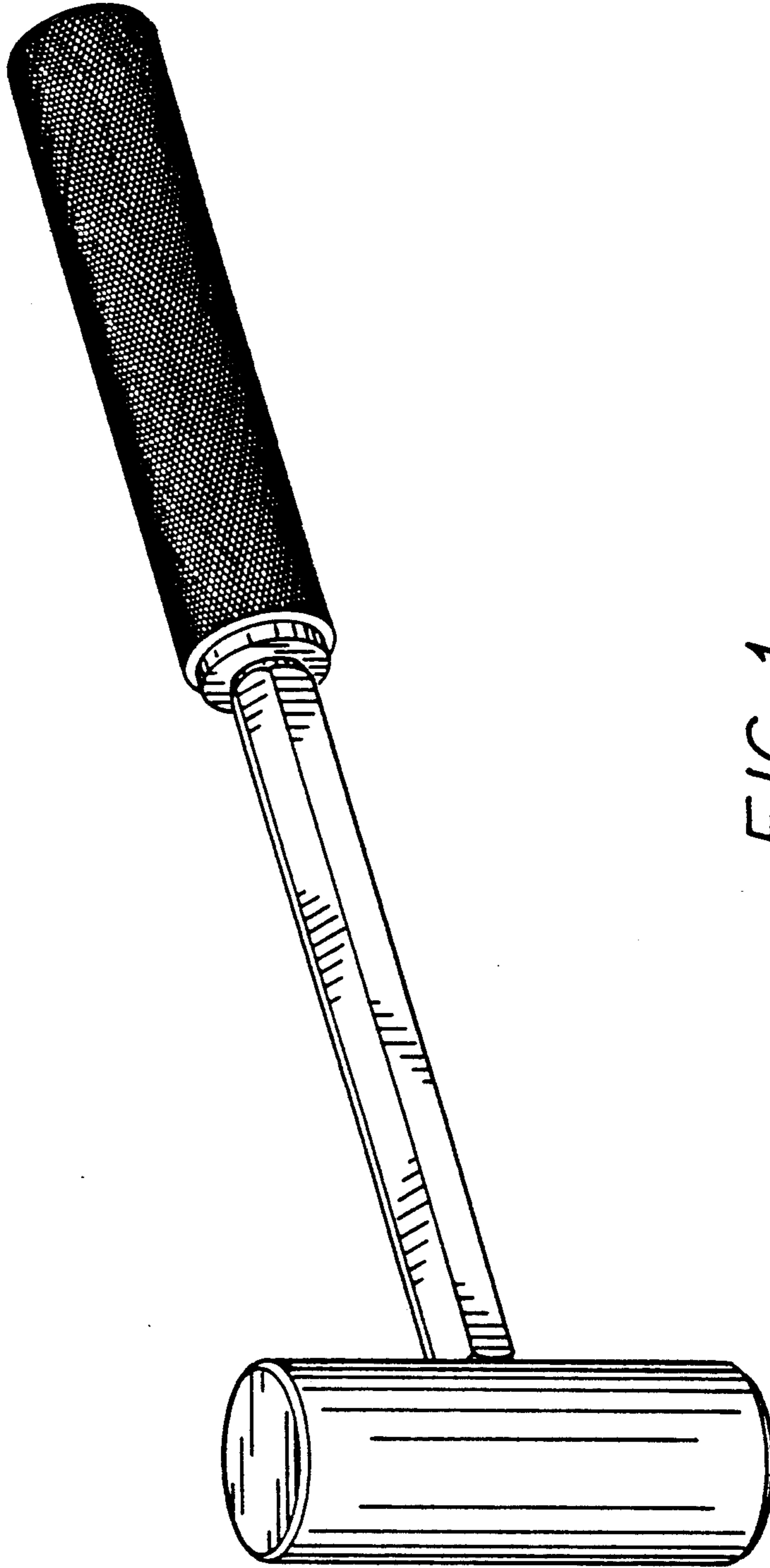


FIG. 1

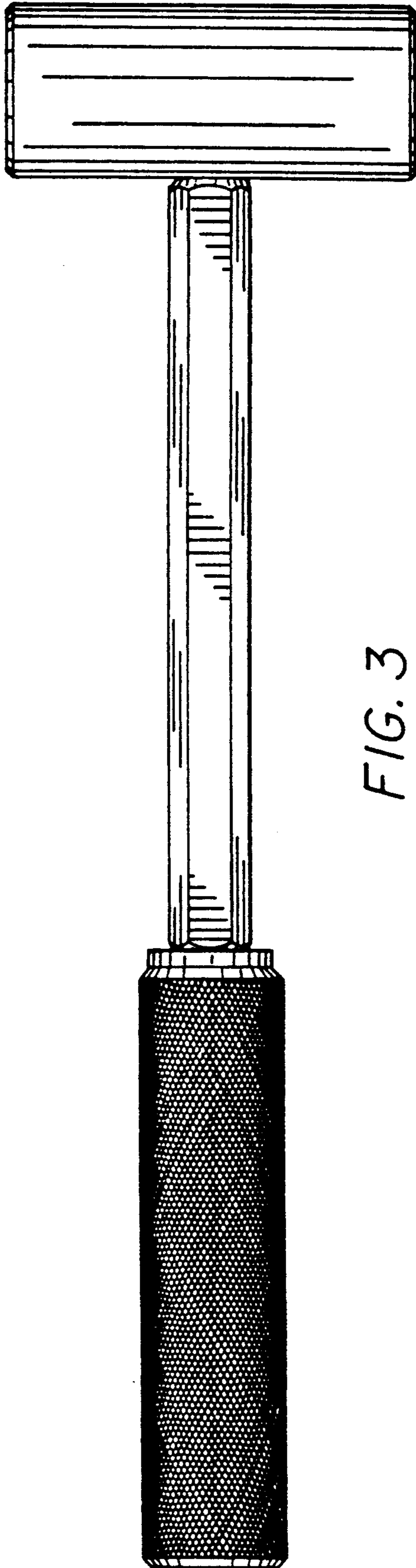


FIG. 3

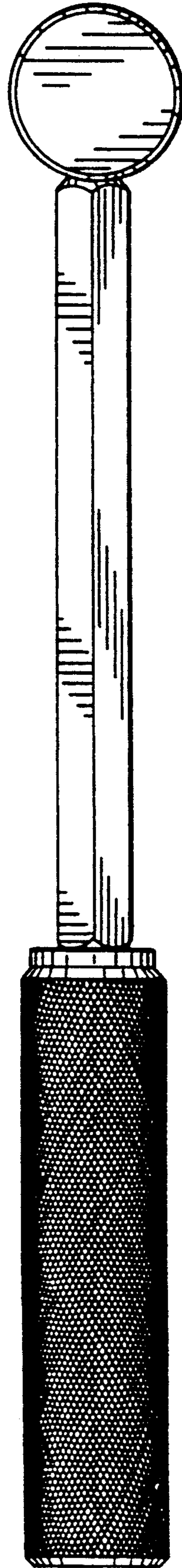


FIG. 2

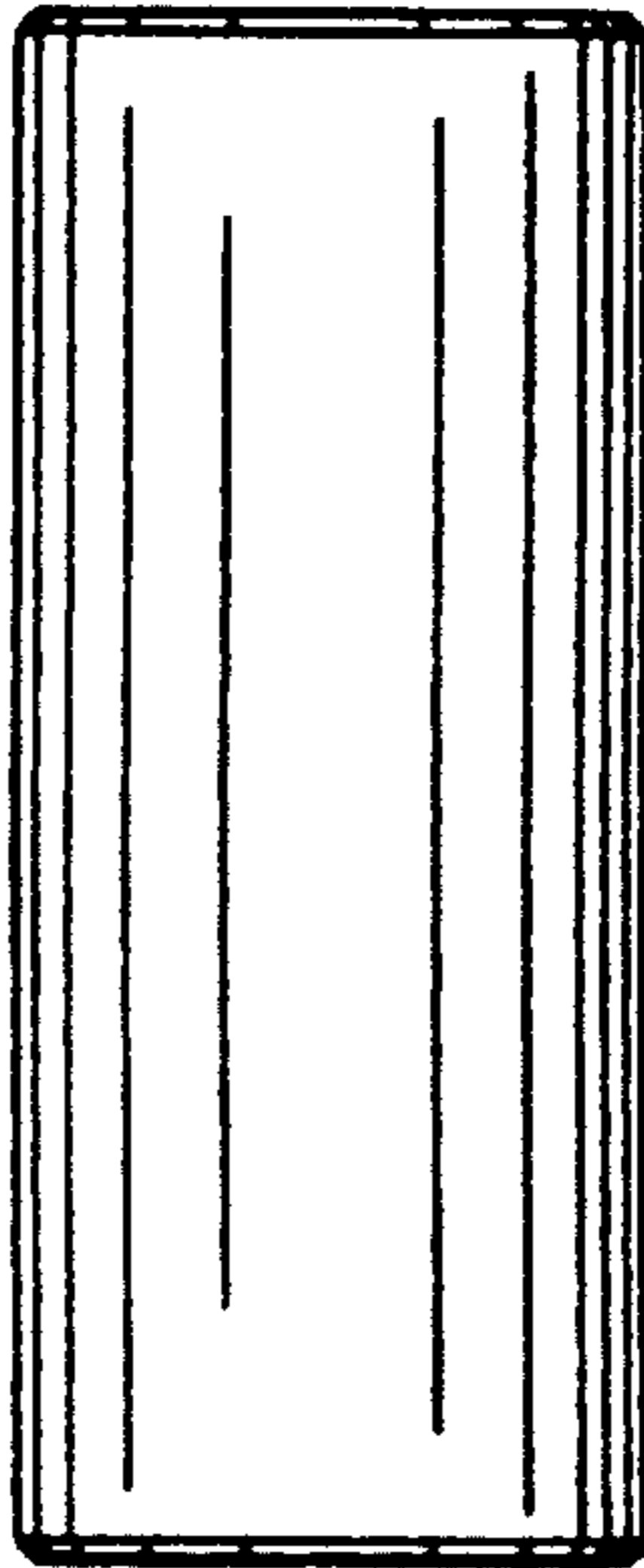


FIG. 4

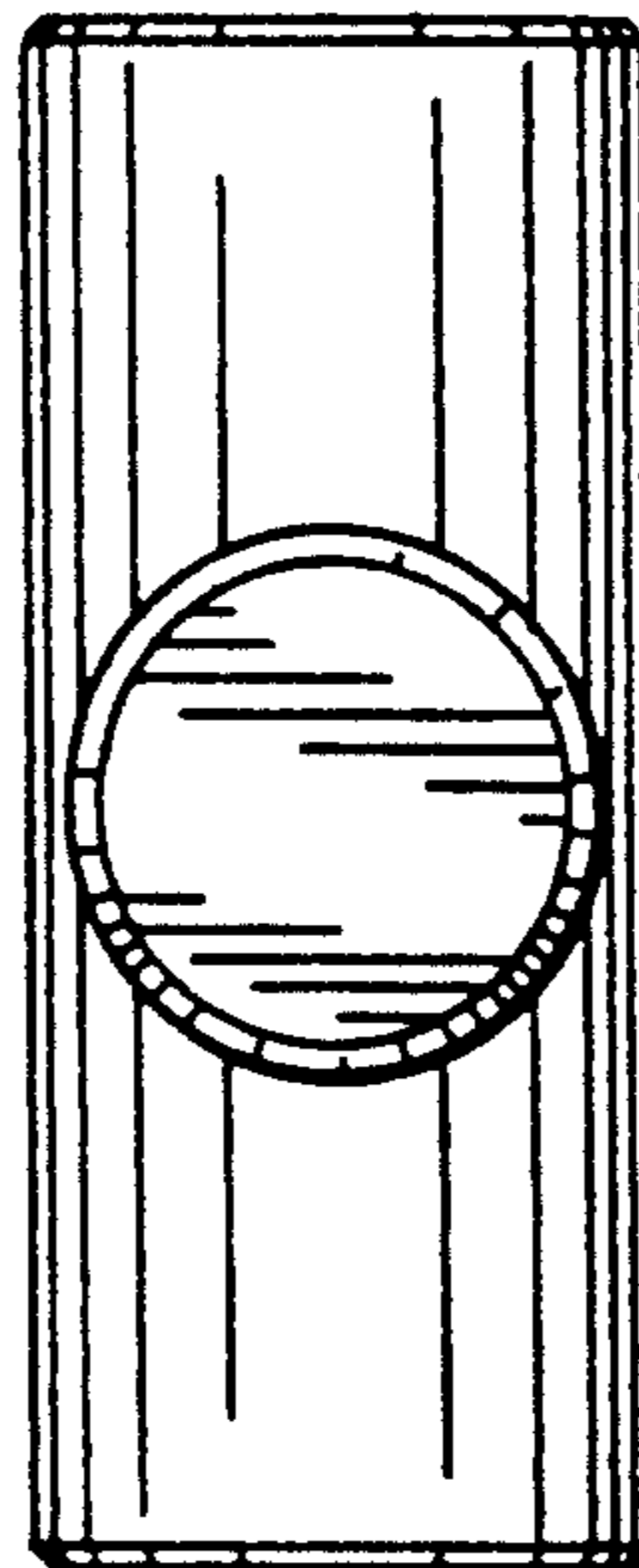


FIG. 5