



US00D339967S

United States Patent [19]

Tanfoglio

[11] Patent Number: **Des. 339,967**

[45] Date of Patent: **** Oct. 5, 1993**

[54] **BOTTLE-OPENER**

[75] Inventor: **Dario Tanfoglio**, Fornaci-Brescia, Italy

[73] Assignee: **Fratelli Guzzini S.p.A.**, Recanati, Italy

[**] Term: **14 Years**

[21] Appl. No.: **927,817**

[22] Filed: **Aug. 10, 1992**

[30] **Foreign Application Priority Data**

Feb. 13, 1992 [IT] Italy MI920 000078

[52] U.S. Cl. **D8/40**

[58] Field of Search **D8/18, 33-34, D8/37, 39, 40-43; 81/3.4, 3.07, 3.08, 3.09, 3.15, 3.29, 3.35, 3.36, 3.37, 3.41, 3.42, 3.43, 3.48, 3.55, 3.57; 7/151-152, 155-156; 30/416, 420, 422, 427, 450**

[56] **References Cited**

U.S. PATENT DOCUMENTS

D. 155,314 9/1949 Pessina D8/18

D. 185,566	6/1959	Pfahler	D8/18
D. 195,638	7/1963	Miller	D8/34
928,156	7/1909	Rydquist	81/3.57
2,770,877	11/1956	Bird	D8/34
2,808,747	10/1957	Cohen	81/3.08
4,287,794	9/1981	Kubach	D8/41

Primary Examiner—Bernard Ansher

Assistant Examiner—R. Barkai

Attorney, Agent, or Firm—Hedman, Gibson & Costigan

[57] **CLAIM**

The ornamental design for a bottle-opener, as shown and described.

DESCRIPTION

FIG. 1 is a top perspective view showing my new design;
FIG. 2 is a top plan view thereof;
FIG. 3 is a bottom plan view thereof;
FIG. 4 is a side elevational view thereof, the side opposite being a mirror image;
FIG. 5 is a front elevation view thereof;
FIG. 6 is a rear elevation view thereof; and,
FIG. 7 is a sectional view thereof taken along the line VII—VII of FIG. 3.

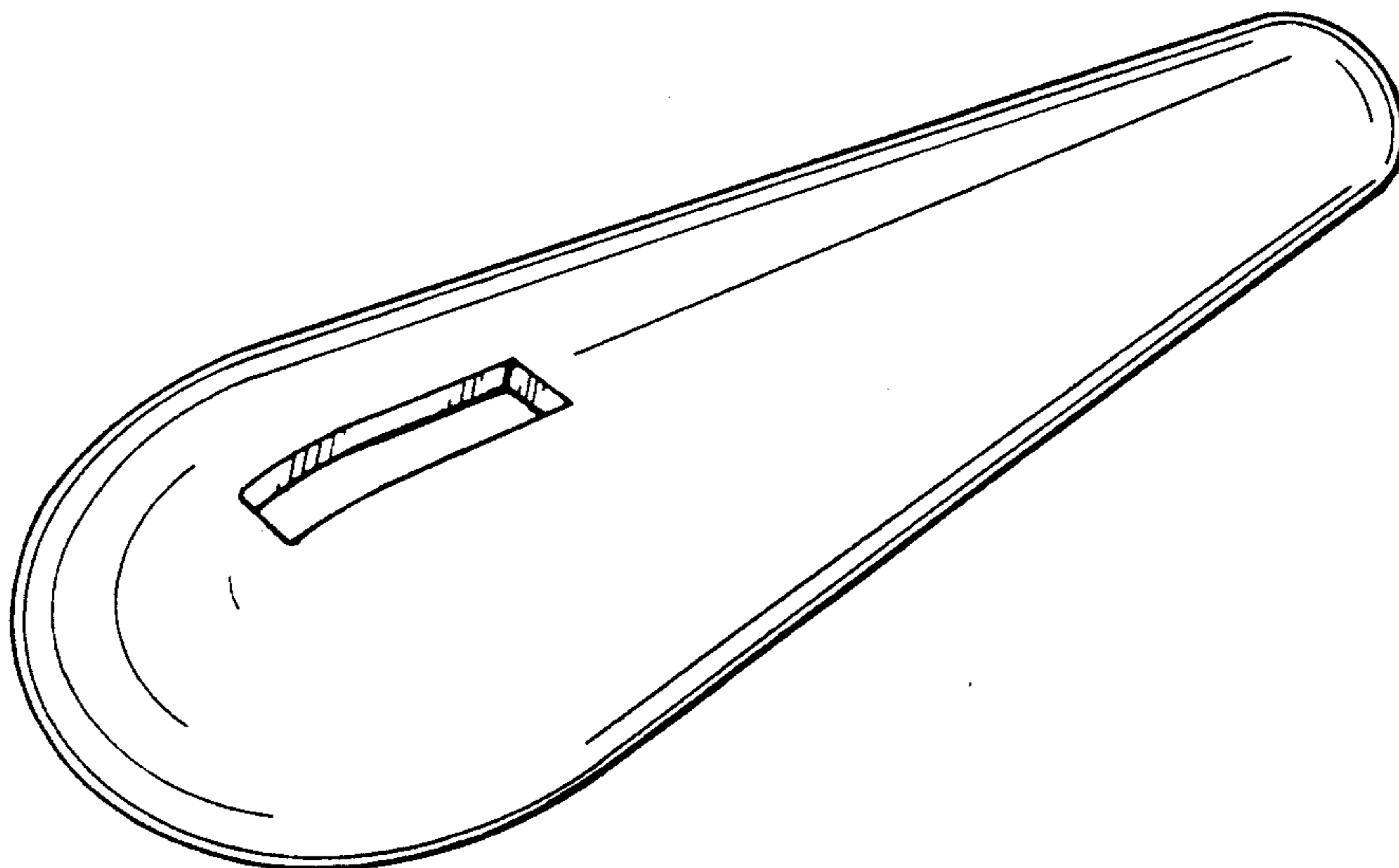


Fig.1

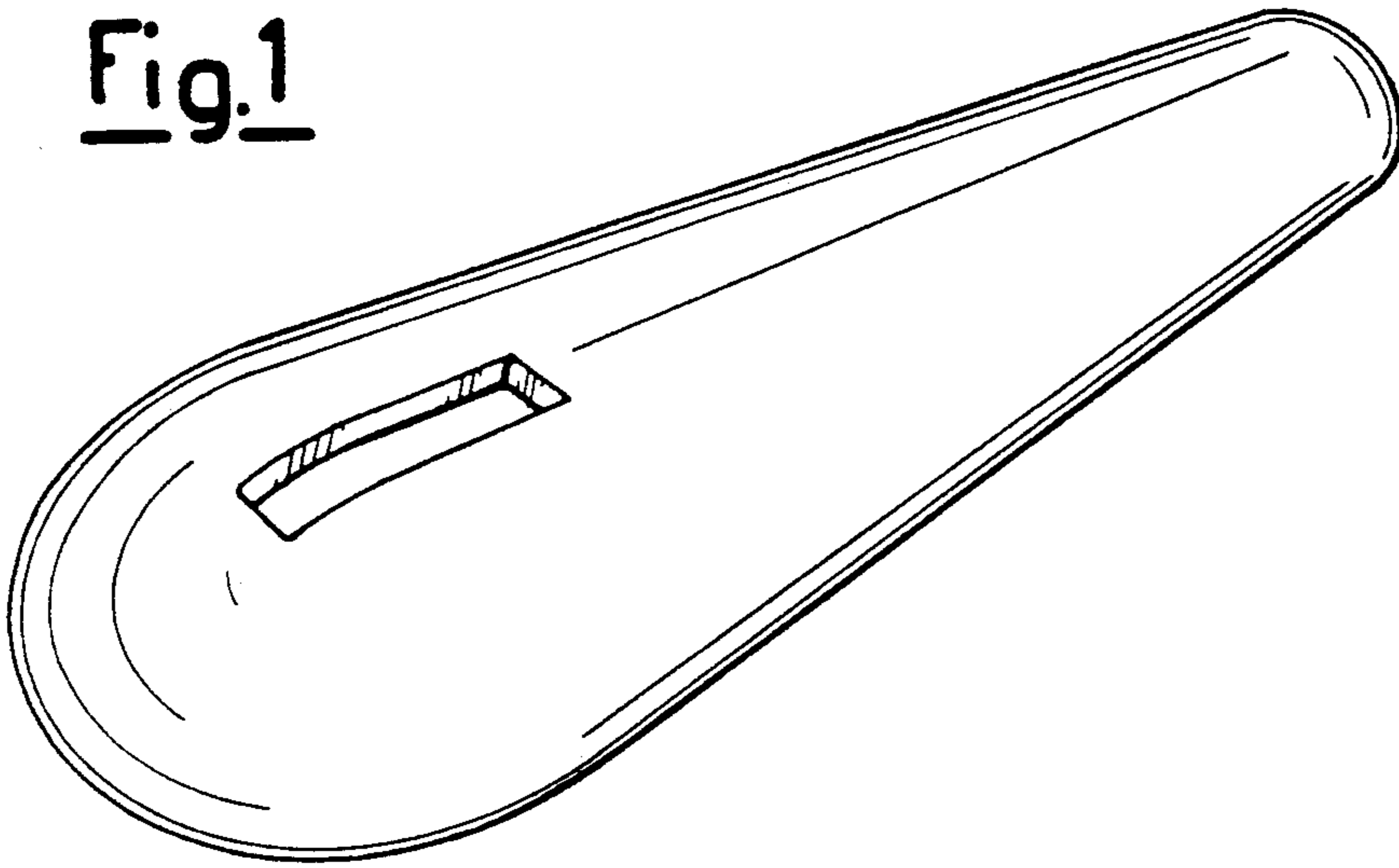


Fig.2

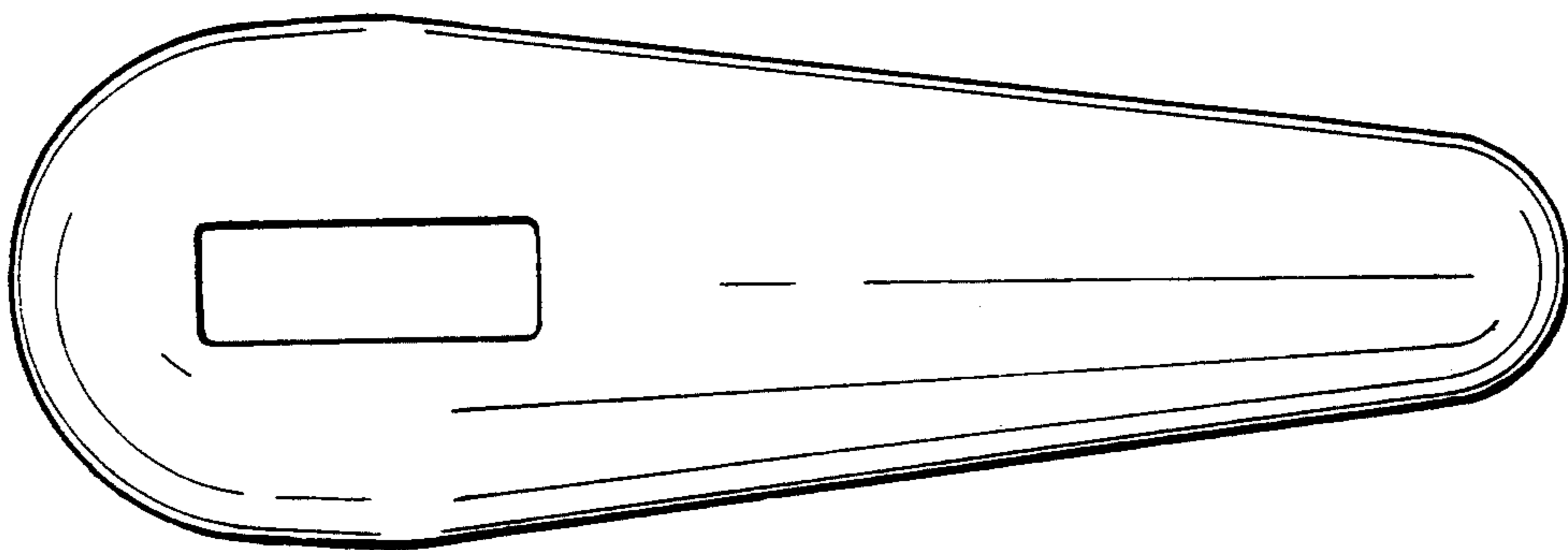


Fig.3

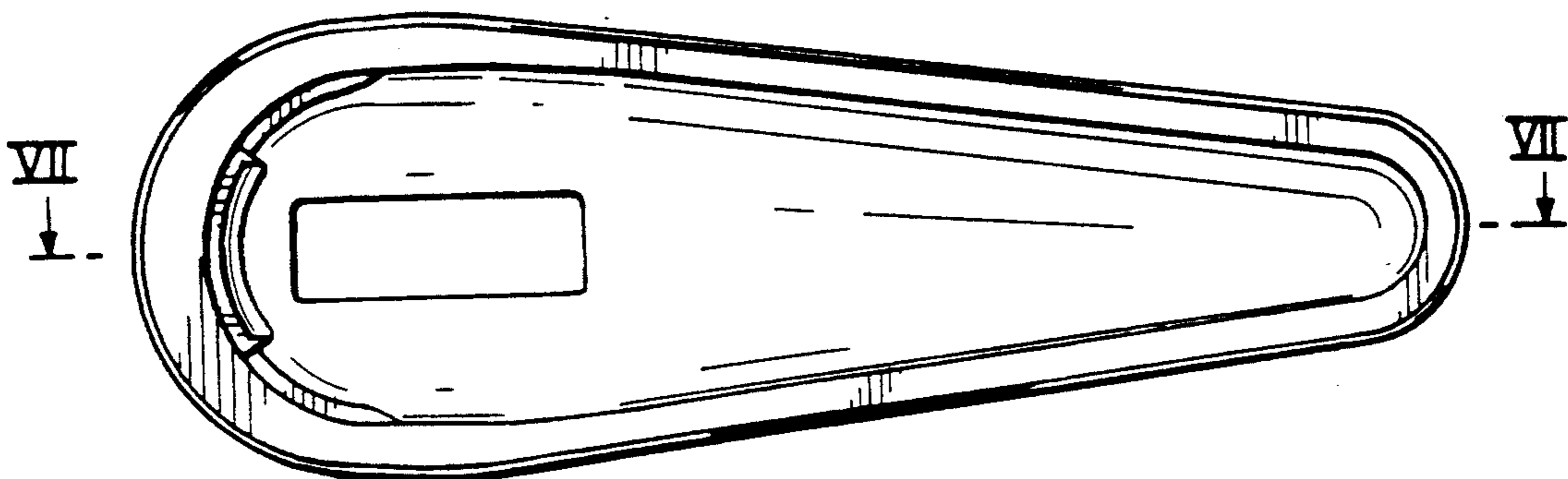


Fig.4

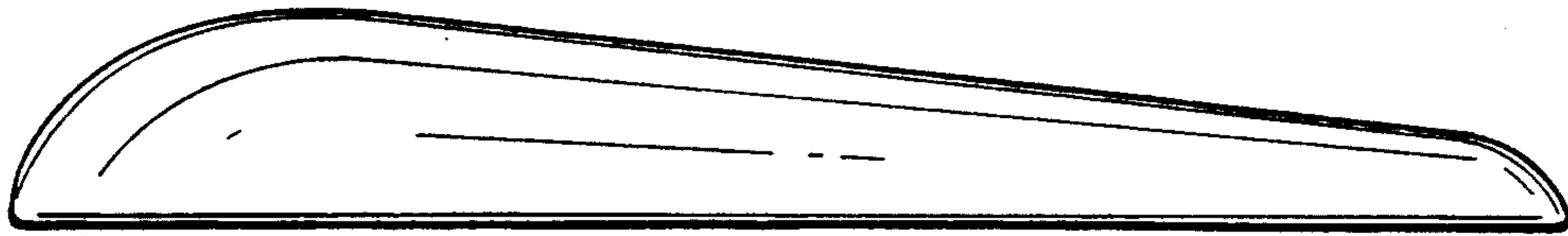


Fig.5

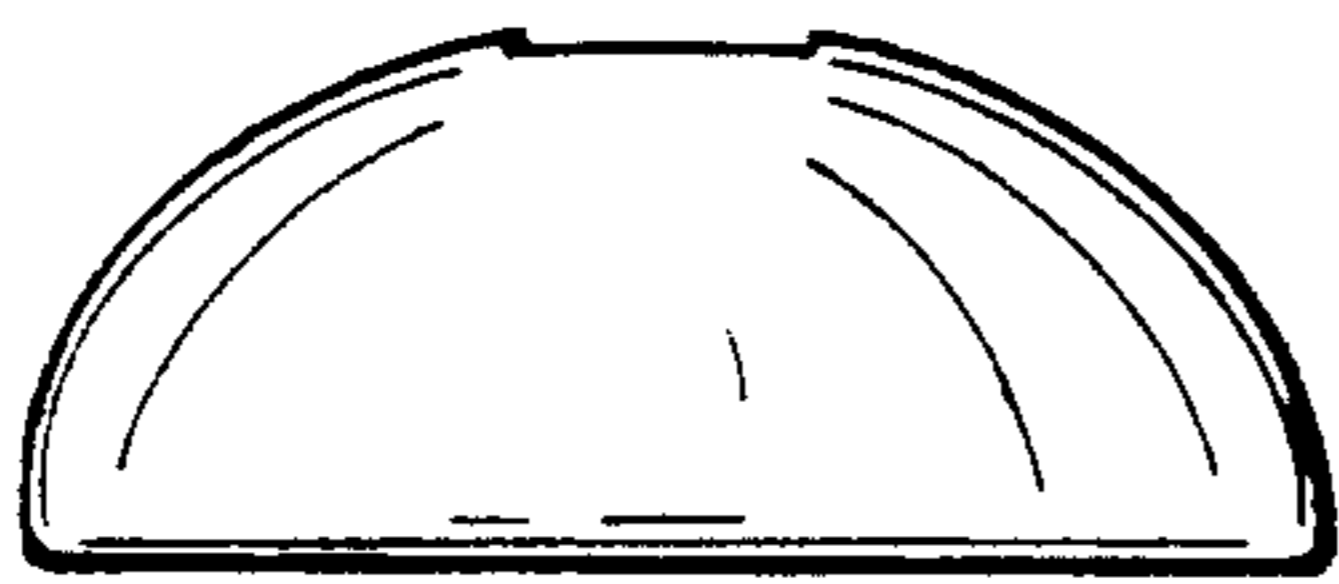


Fig.6

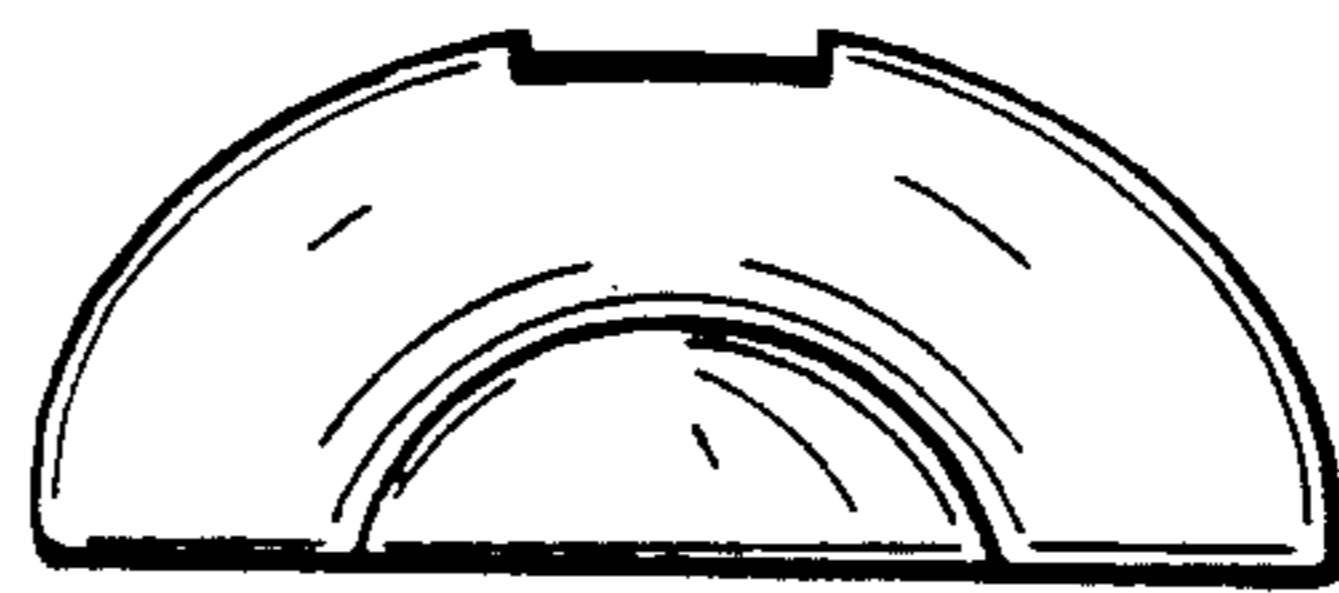


Fig.7

