



US00D339966S

United States Patent [19]

[11] Patent Number: **Des. 339,966**

Burnett

[45] Date of Patent: **** Oct. 5, 1993**

[54] **SOD SHIFTER**

4,733,682	3/1988	Ellena	135/65 X
4,793,370	12/1988	Perez et al.	135/65 X
4,922,941	5/1990	Daniels	135/66 X
5,090,434	2/1992	Hagen	135/66

[76] Inventor: **David W. Burnett**, 18800 Pinion Pine, Reno, Nev. 89506

[**] Term: **14 Years**

Primary Examiner—Wallace R. Burke
Assistant Examiner—H. Baynham
Attorney, Agent, or Firm—Lothrop & West

[21] Appl. No.: **792,060**

[22] Filed: **Nov. 12, 1991**

[52] U.S. Cl. **D8/13**

[58] Field of Search **D8/7, 13; D3/8;**
7/114-116; 172/371-372, 375; 135/66, 65, 68,
71, 81; 294/61

[57] **CLAIM**

The ornamental design for a sod shifter, as shown and described.

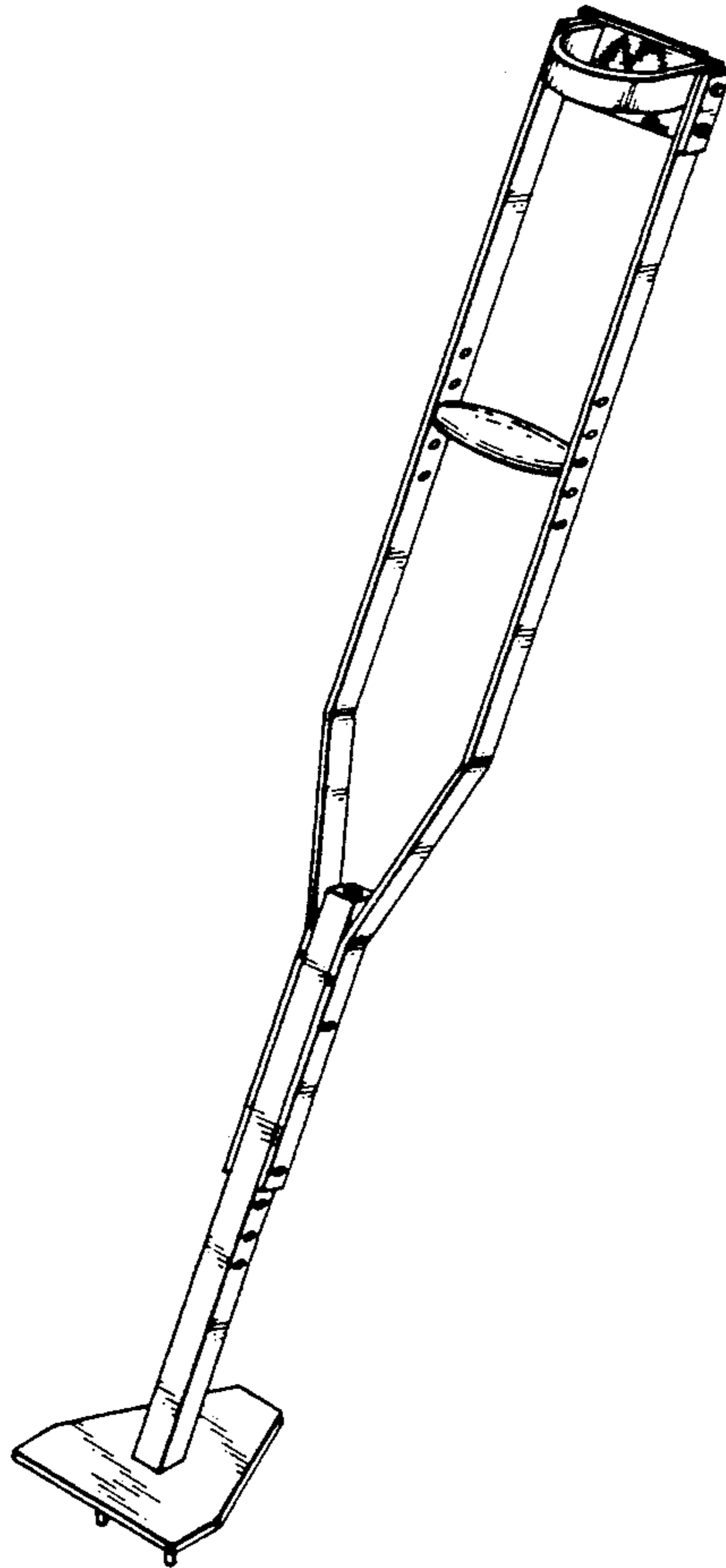
DESCRIPTION

[56] **References Cited**

U.S. PATENT DOCUMENTS

D. 322,713	12/1991	Daniels	D3/8
1,272,152	9/1918	Trager	172/375
1,299,417	4/1919	Bailey	172/375
1,901,778	3/1933	Schlag	172/372
2,020,571	11/1935	Pick	294/61 X
2,197,279	4/1940	Thorssen	135/71
2,707,651	5/1955	Ott	294/64
2,738,215	3/1956	Thompson	294/61
2,861,582	11/1958	Miller	135/71
3,150,672	9/1964	Johnson, Jr.	D3/8 X
4,526,187	7/1985	Ciullo	135/66
4,721,125	1/1988	Wang-Lee	135/65 X

FIG. 1 is a front perspective view of a sod shifter, showing my new design;
 FIG. 2 is a front elevational view thereof;
 FIG. 3 is a rear elevational view thereof;
 FIG. 4 is an elevational view of one side thereof;
 FIG. 5 is an elevational view of the other side thereof;
 FIG. 6 is a top plan view thereof;
 FIG. 7 is a bottom plan view thereof;
 FIG. 8 is a perspective view of a second embodiment of the design shown in FIG. 1 wherein the only difference resides in the alternate position of the foot plate; and,
 FIG. 9 is a perspective view of a third embodiment of the design shown in FIG. 1 wherein the only difference resides in the alternate position of the foot plate.



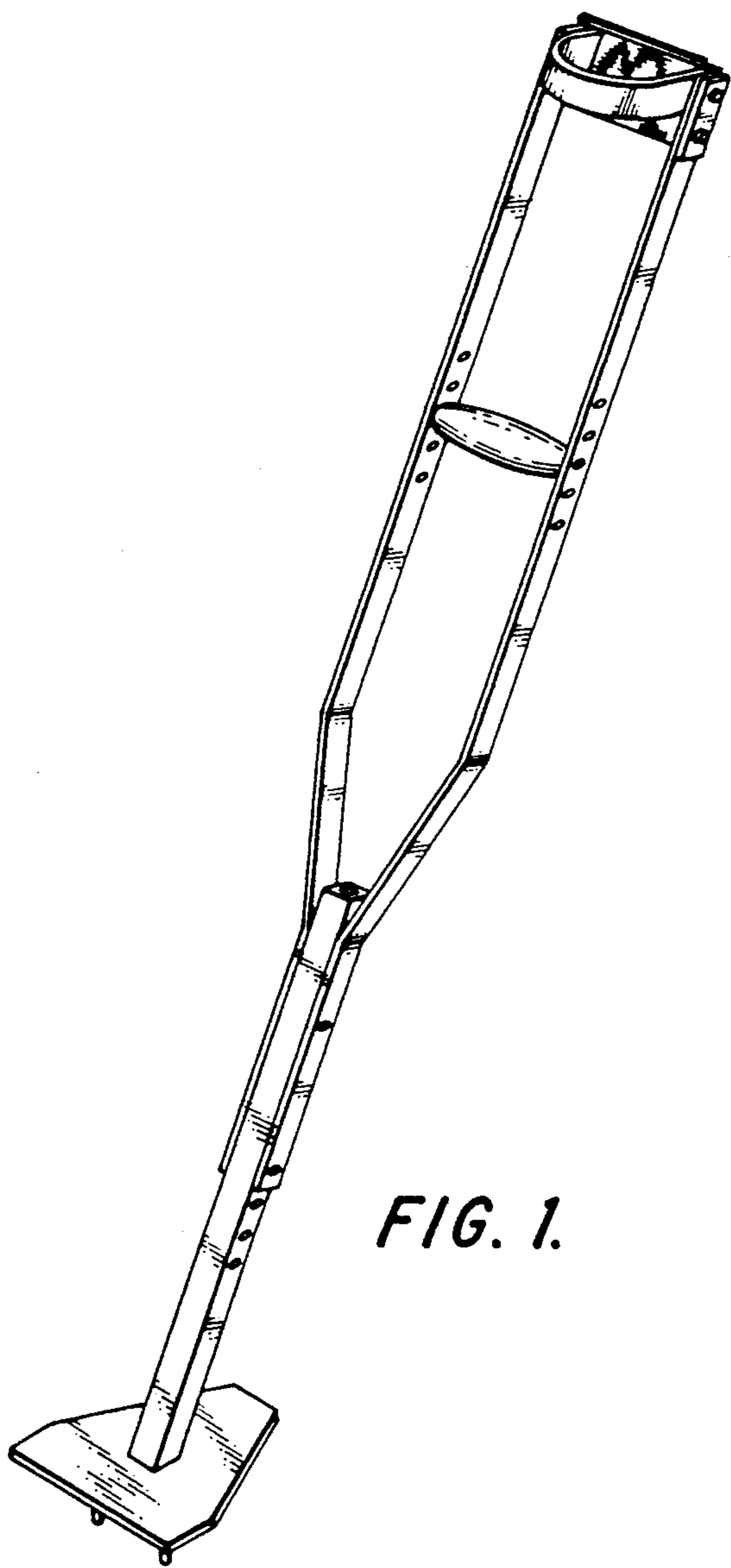


FIG. 1.

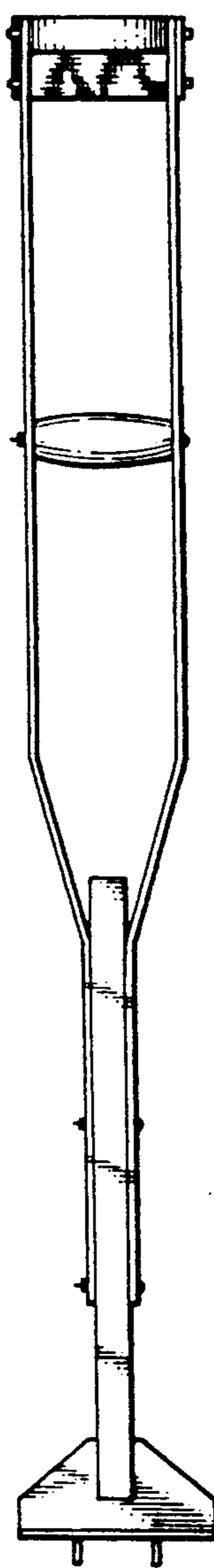


FIG. 2.

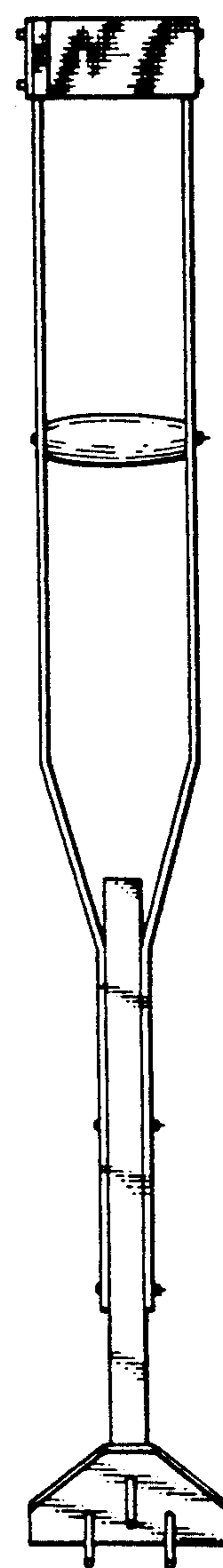


FIG. 3.

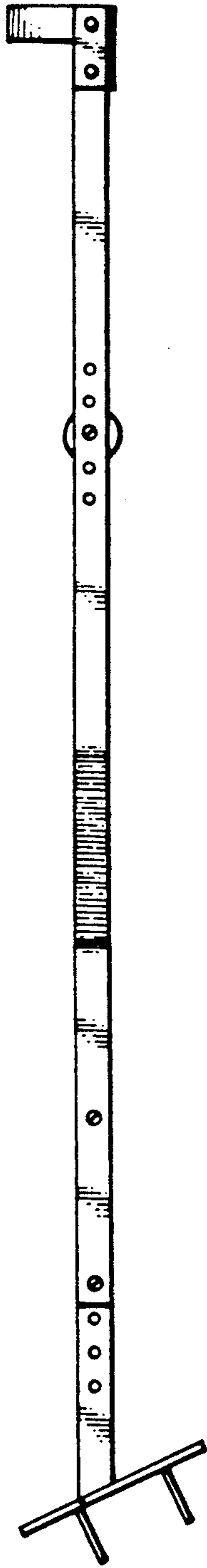


FIG. 4.

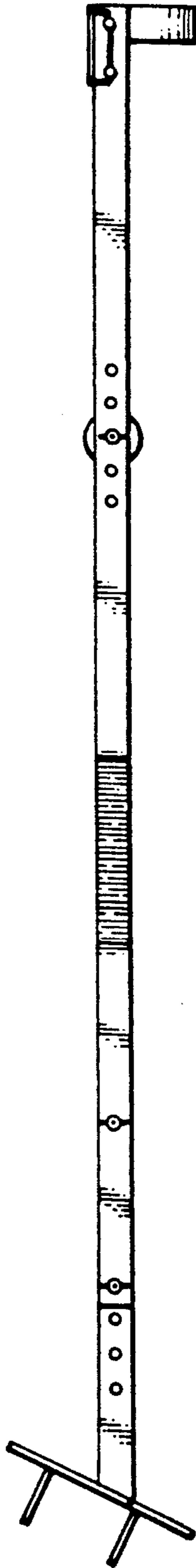


FIG. 5.

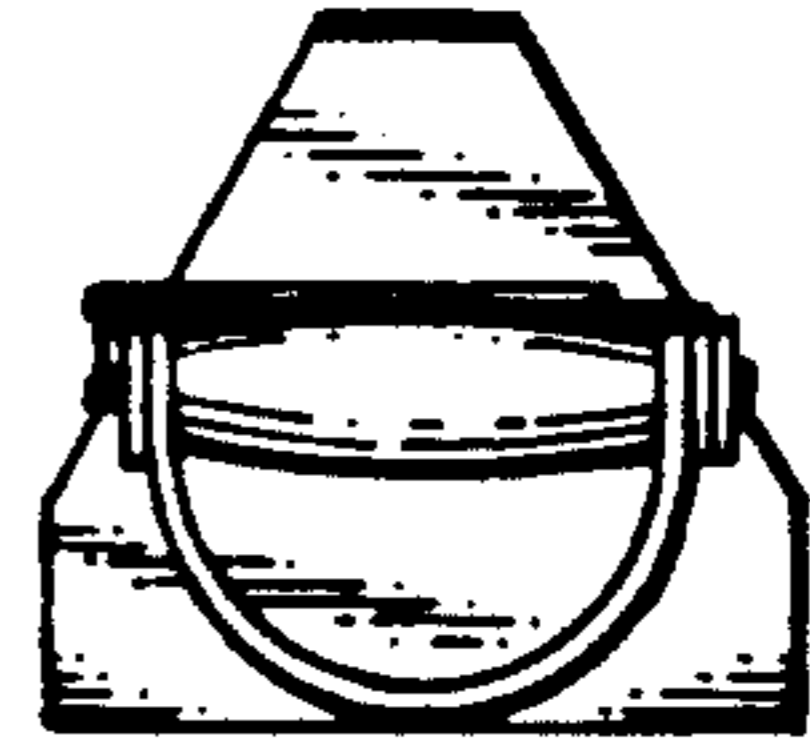


FIG. 6.

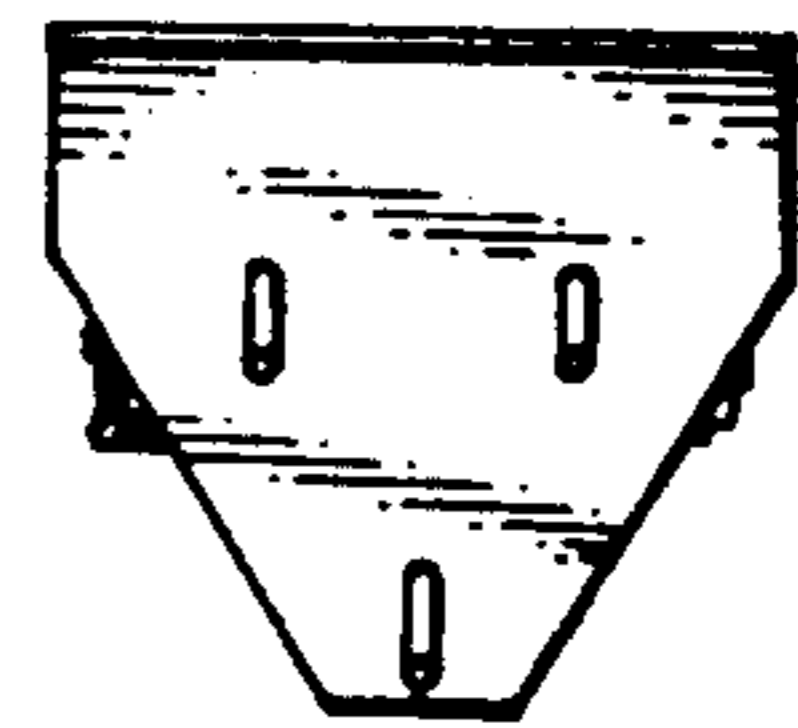


FIG. 7.

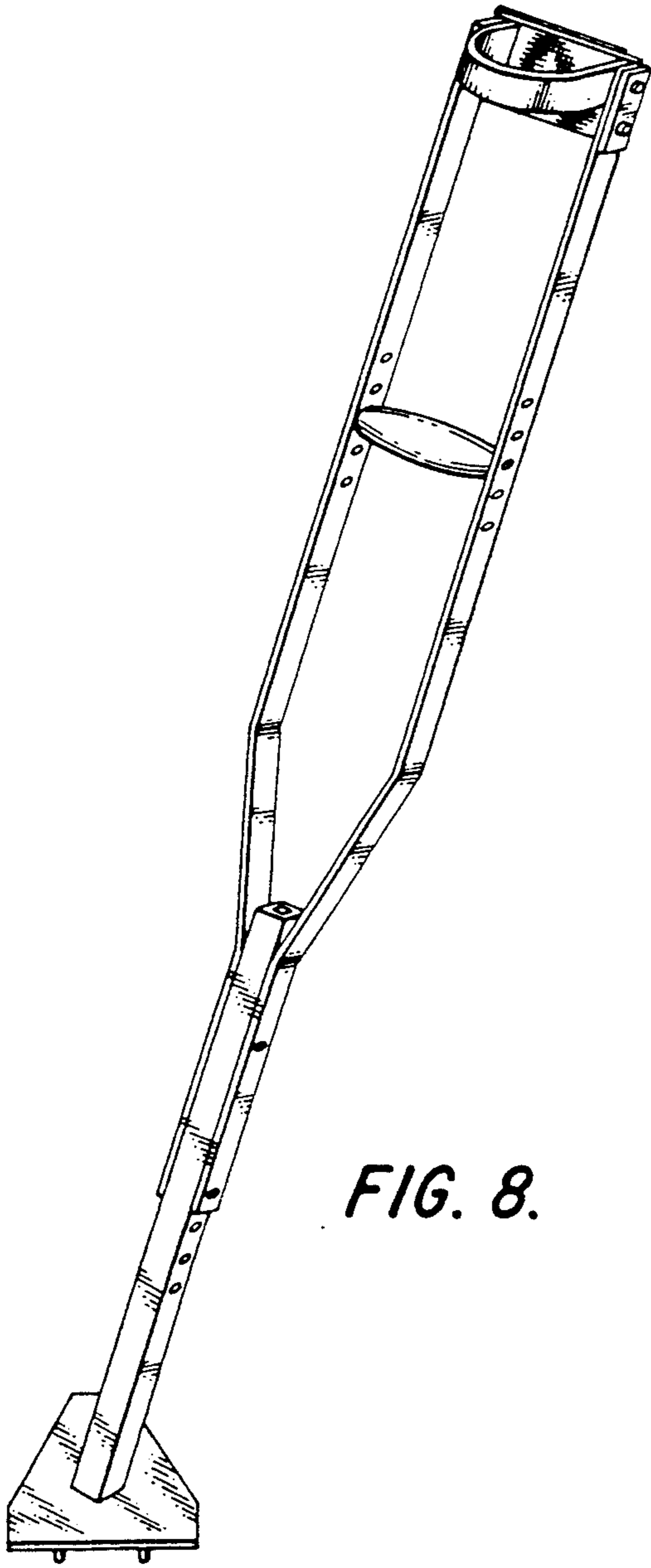


FIG. 8.

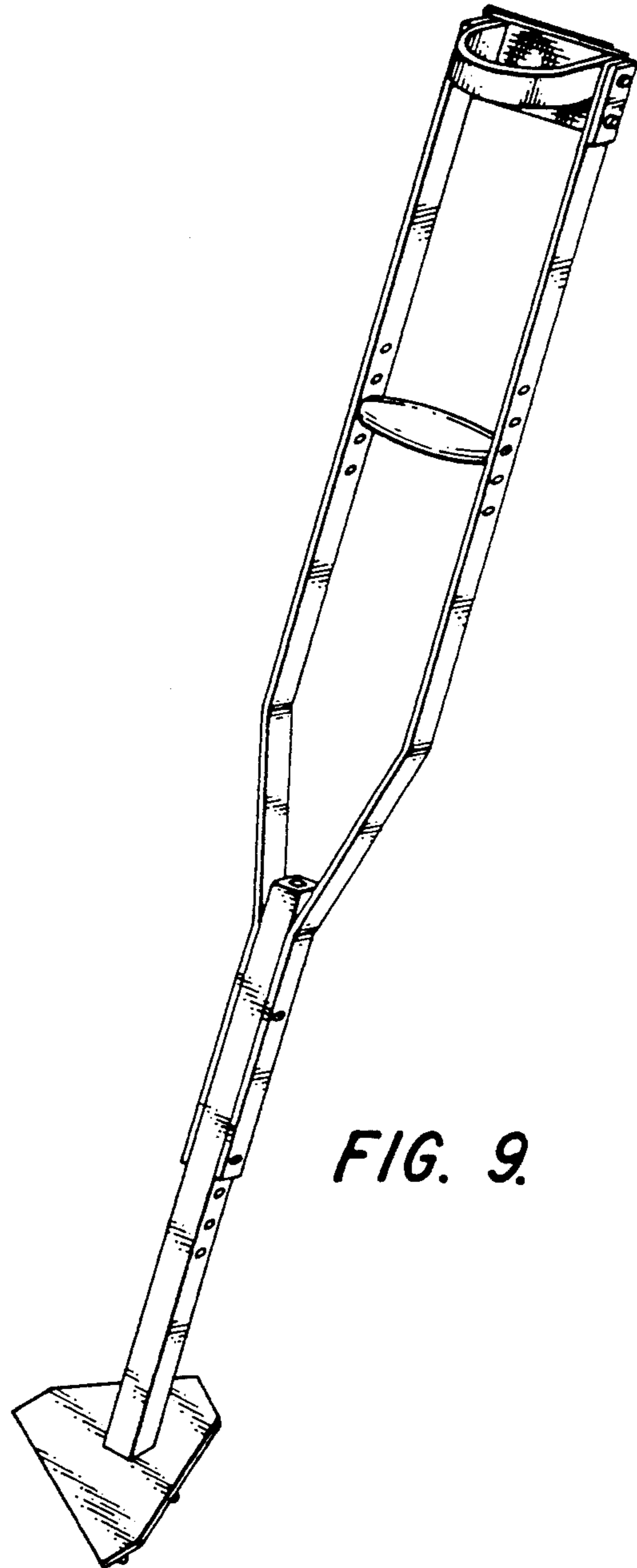


FIG. 9.