



US00D339957S

United States Patent [19]

[11] Patent Number: **Des. 339,957**

Chang

[45] Date of Patent: **** Oct. 5, 1993**

[54] MULTIPURPOSE COOKER

[76] Inventor: **Kwei-Tang Chang**, No. 14, Lane 54, Luong Chuan St., Panchiao, Taipei Hsien, Taiwan

[**] Term: **14 Years**

[21] Appl. No.: **835,669**

[22] Filed: **Feb. 14, 1992**

[52] U.S. Cl. **D7/354; D7/360**

[58] Field of Search **D7/354, 355, 356, 360; 99/331, 403, 410, 411, 413; 219/429, 432, 438, 440**

[56] References Cited

U.S. PATENT DOCUMENTS

D. 272,034	1/1984	Beugnot	D7/360
D. 313,530	1/1991	Leiros	D7/354
D. 313,531	1/1991	Barrault	D7/360
4,636,618	1/1987	Jenicot	D7/354 X

OTHER PUBLICATIONS

HFD; Jan. 16, 1989; p. 131, DeLonghi deep fryers.

Primary Examiner—Alan P. Douglas

Assistant Examiner—Caron D. Veynar

Attorney, Agent, or Firm—Bacon & Thomas

[57] CLAIM

The ornamental design for a multipurpose cooker, as shown.

DESCRIPTION

FIG. 1 is the perspective view of a multipurpose cooker showing my design;

FIG. 2 is the front elevational view thereof;

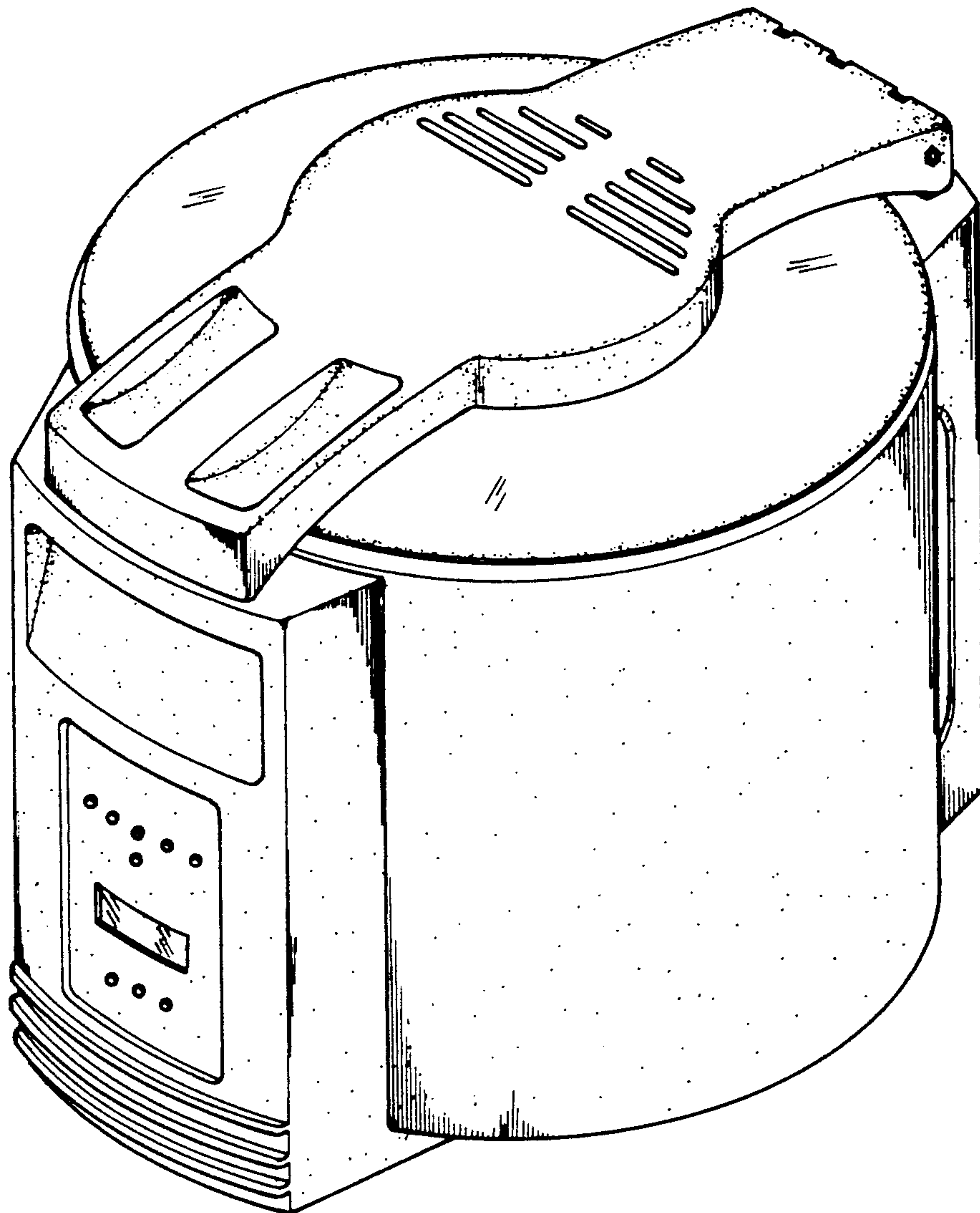
FIG. 3 is the rear elevational view thereof;

FIG. 4 is the left side elevational view thereof;

FIG. 5 is the right side elevational view thereof;

FIG. 6 is the top plan view thereof; and,

FIG. 7 is the bottom plan view thereof.



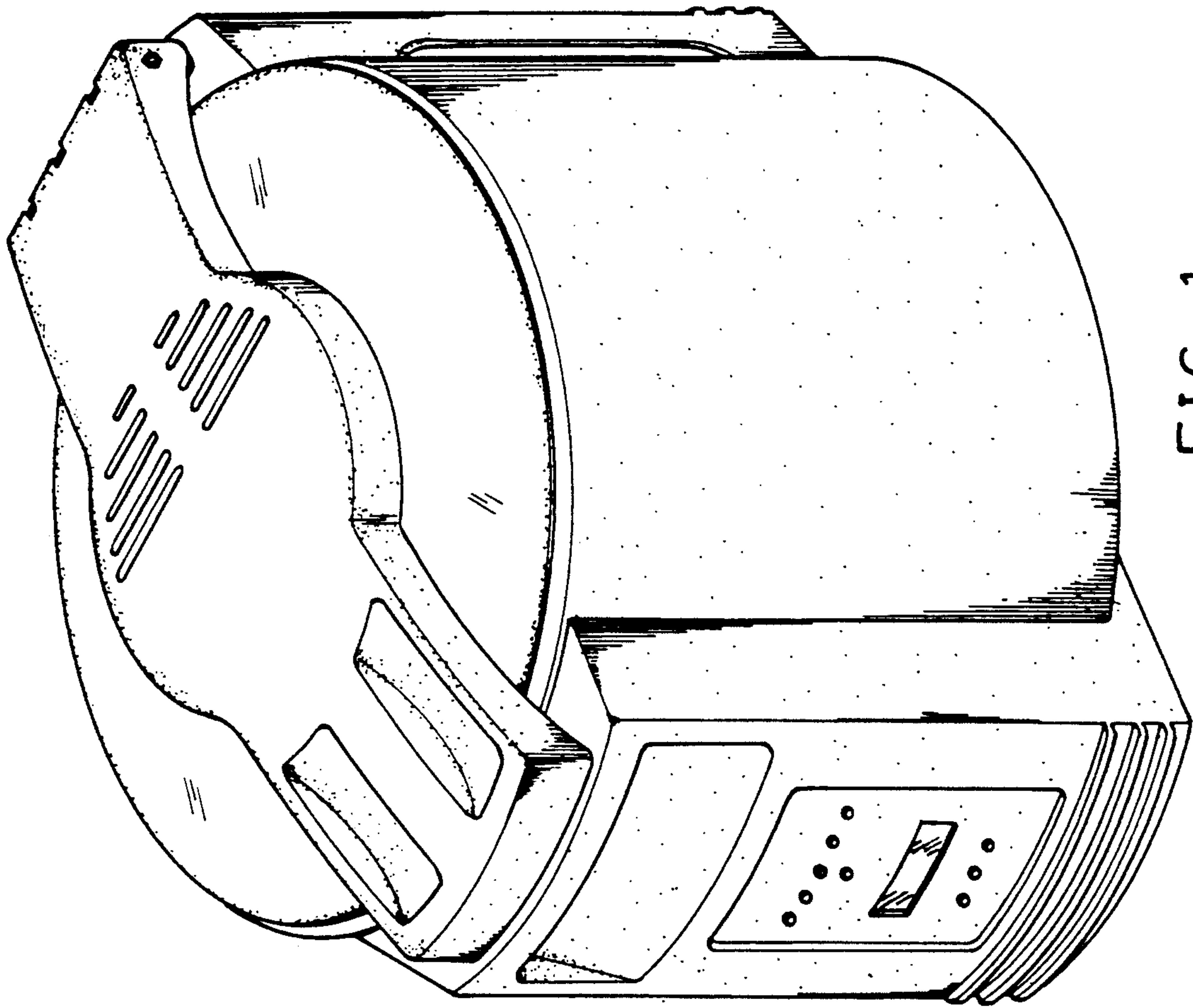


FIG. 1

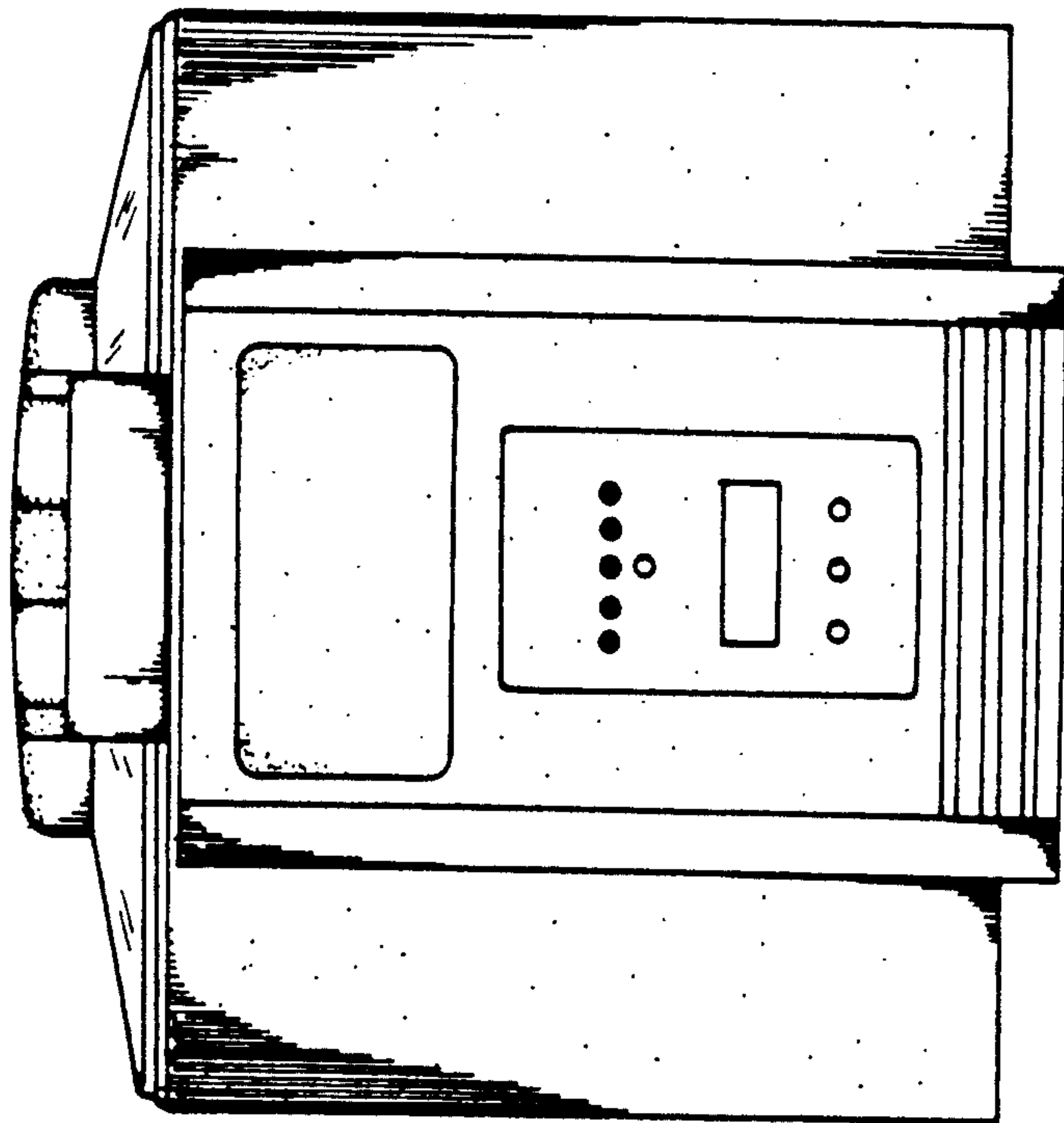


FIG. 2

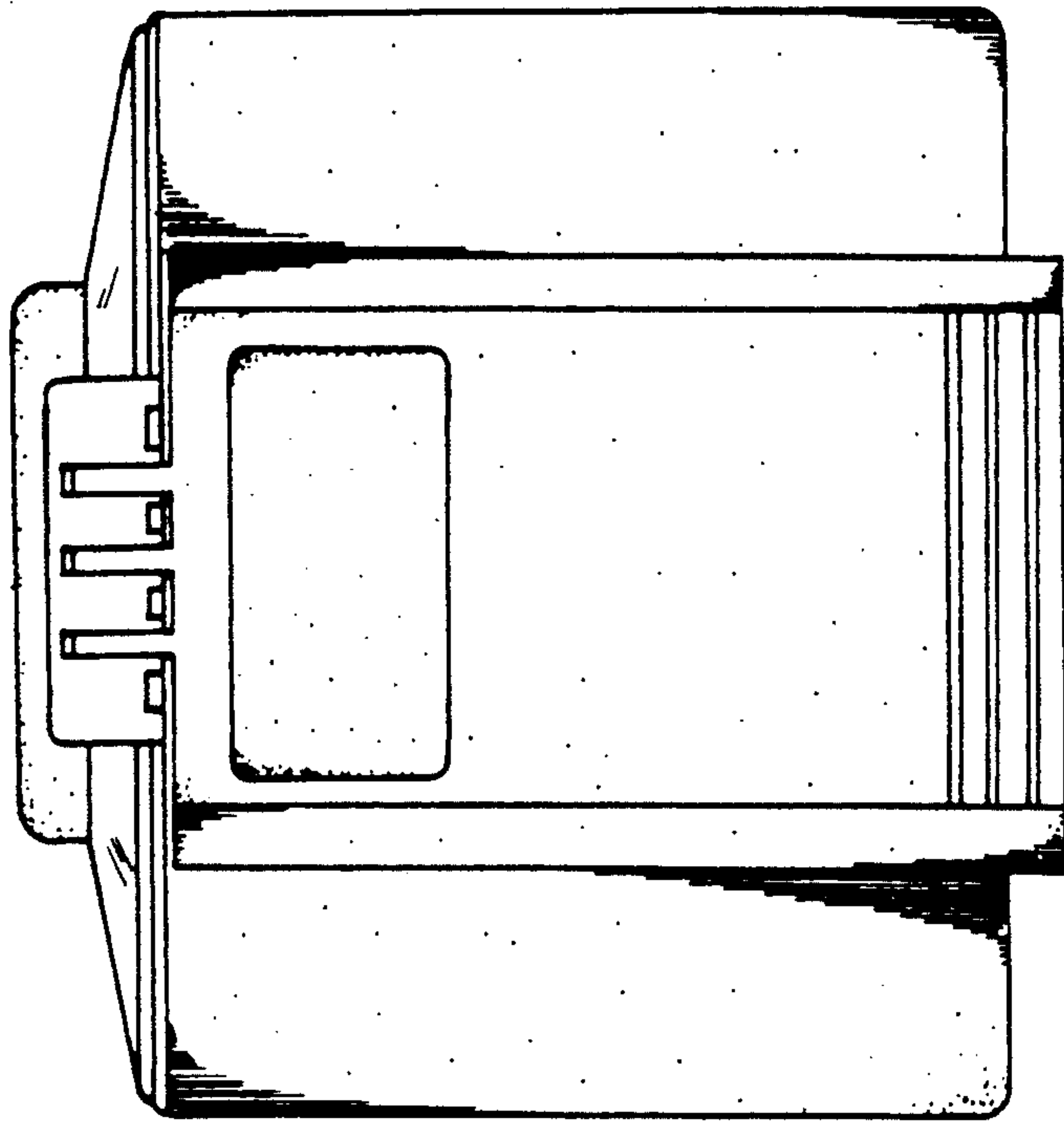


FIG. 3

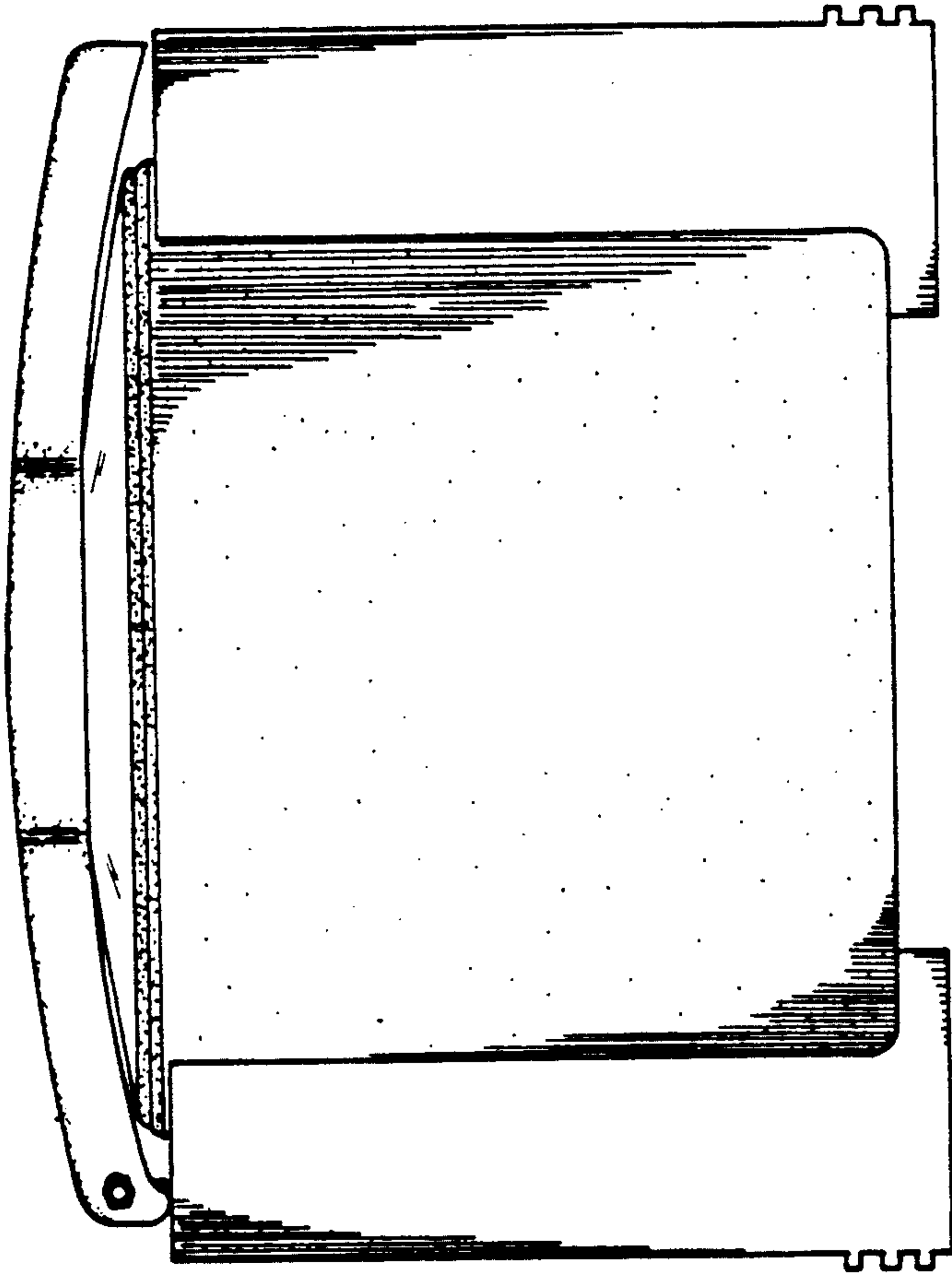


FIG. 4

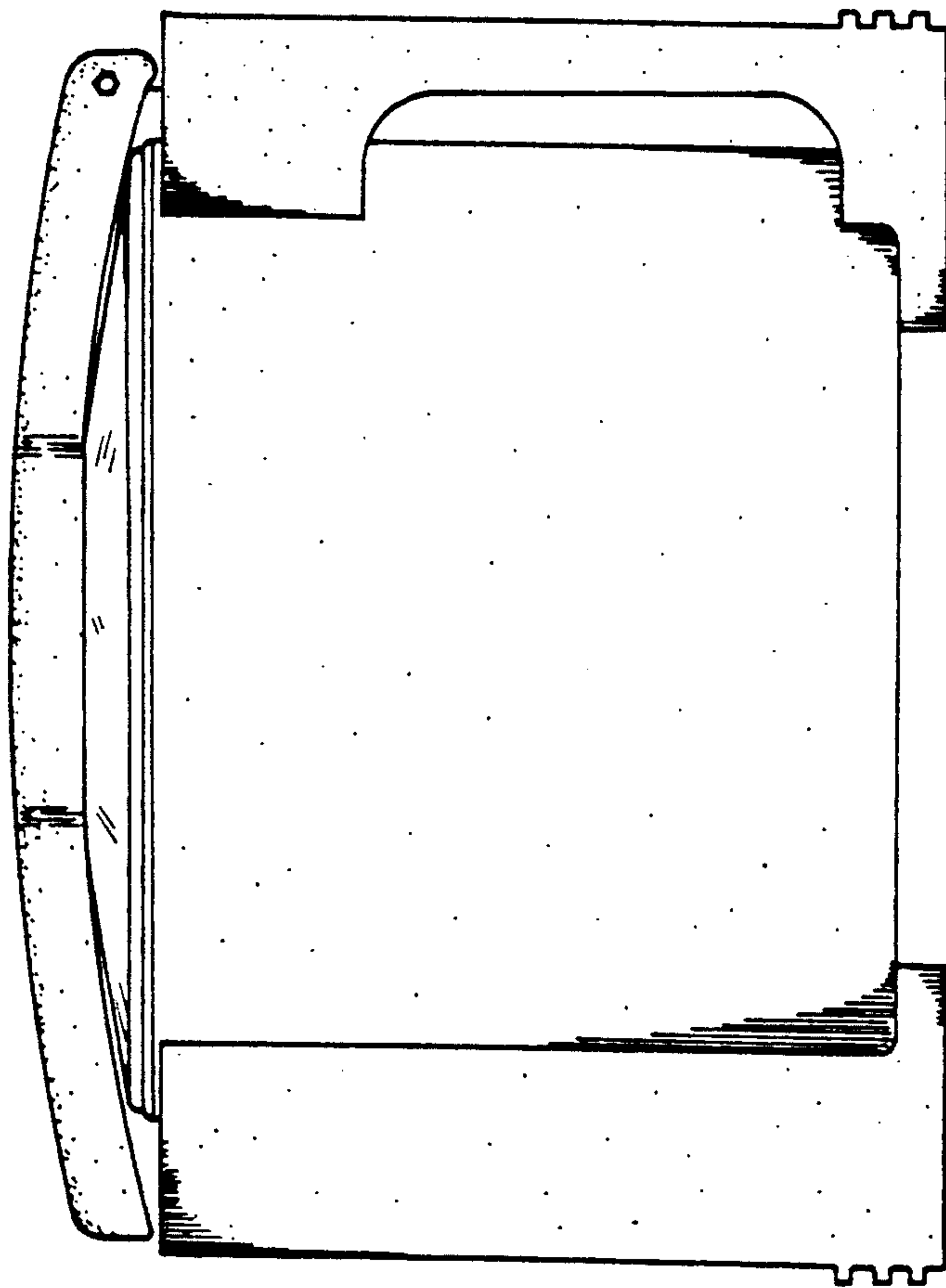


FIG. 5

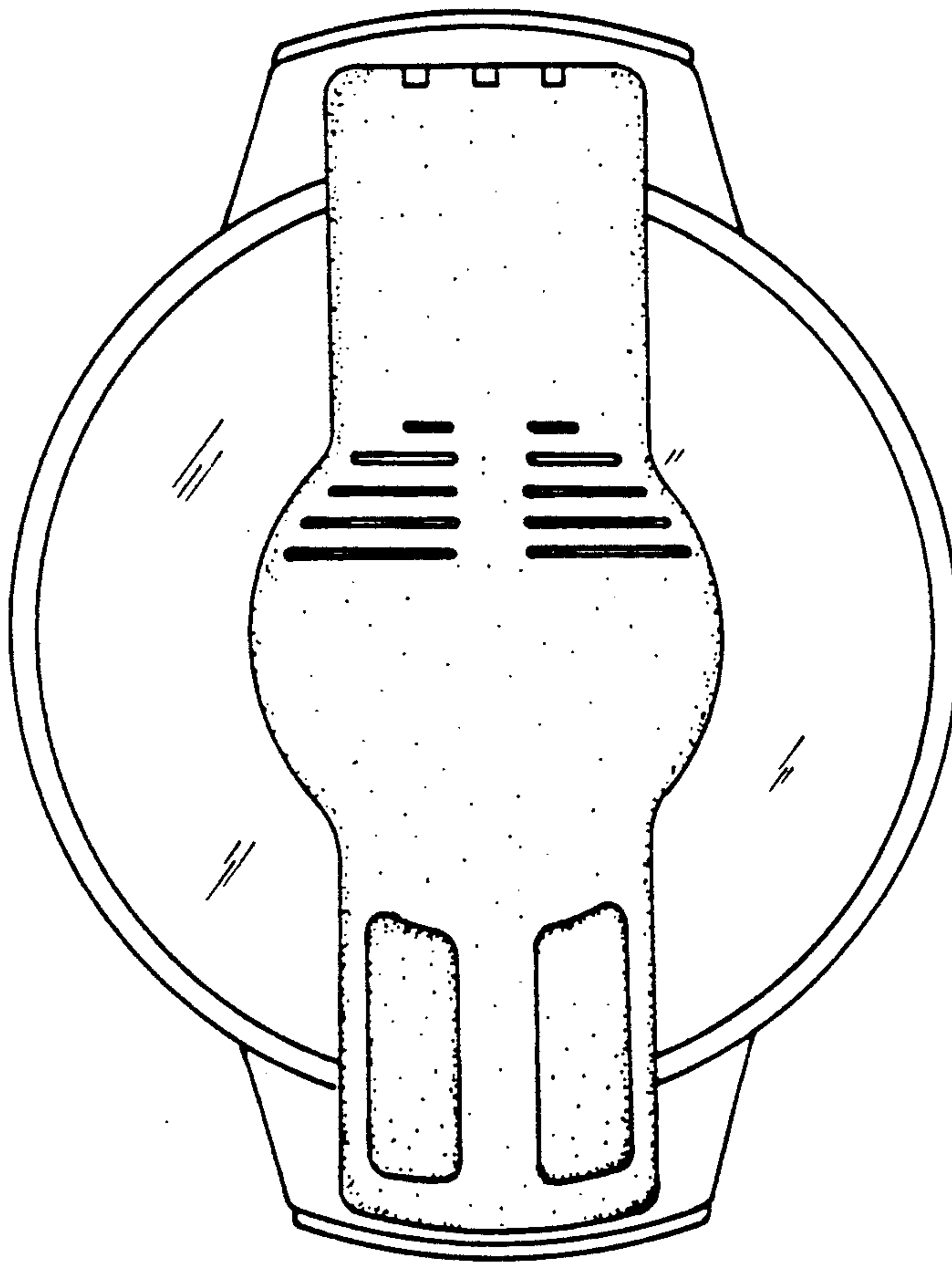


FIG. 6

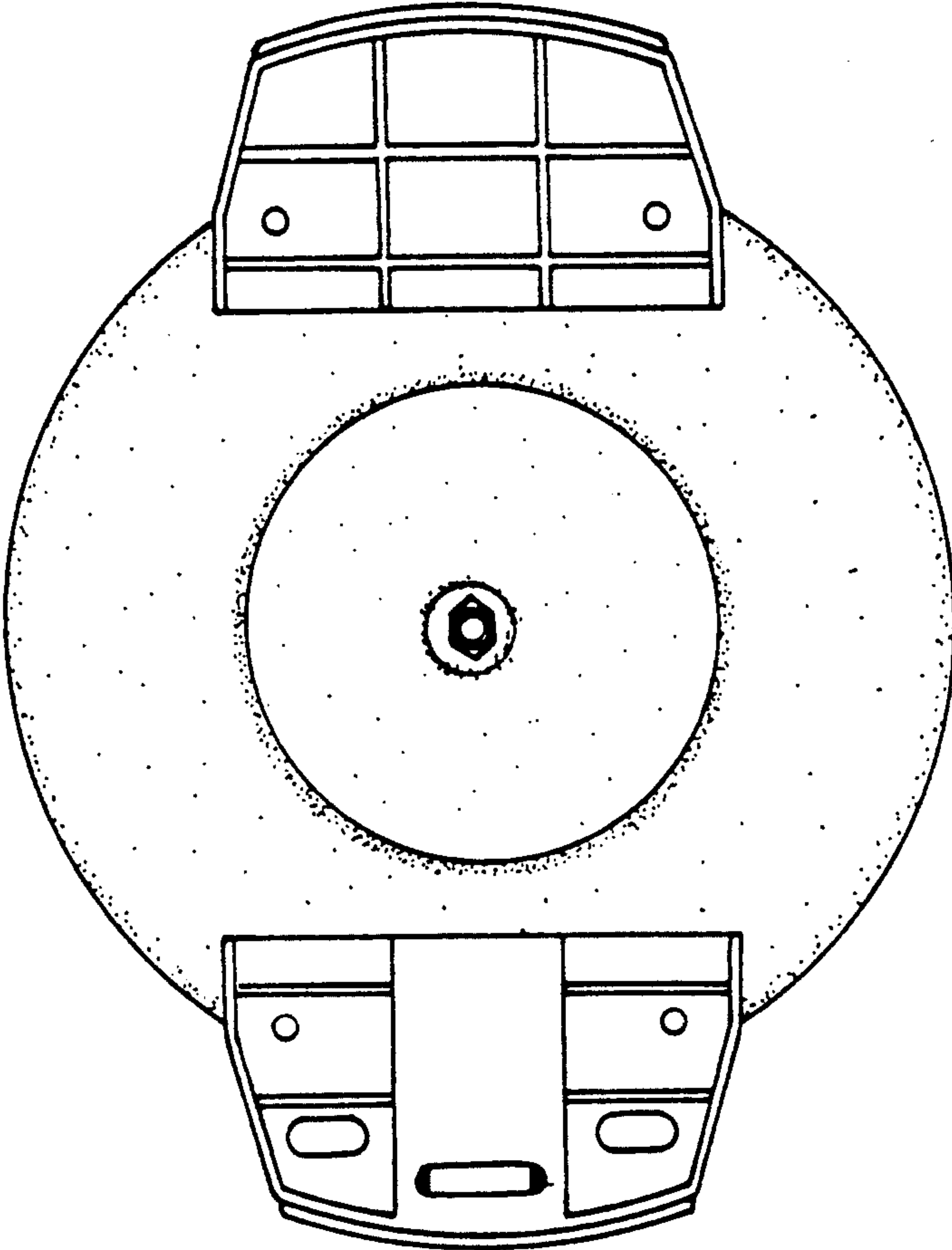


FIG. 7