



US00D339956S

United States Patent [19]

George, Jr.

[11] Patent Number: Des. 339,956

[45] Date of Patent: ** Oct. 5, 1993

[54] BARBECUE GRILL

[76] Inventor: Samuel George, Jr., 1585 S. Broad St., Cairo, Ga. 31728

[**] Term: 14 Years

[21] Appl. No.: 756,128

[22] Filed: Sep. 6, 1991

D. 219,629	12/1970	Koziol	D7/334
D. 324,622	3/1992	Baynes et al.	D7/334
D. 326,207	5/1992	Koziol	D7/332
4,362,093	12/1982	Onscom	99/339
4,665,891	5/1987	Nemec et al.	99/447
4,700,618	10/1987	Cox, Jr.	99/339
4,955,358	9/1990	Hains et al.	126/25 R

Primary Examiner—Ruth McInroy
Attorney, Agent, or Firm—Hopkins & Thomas

Related U.S. Application Data

[63] Continuation-in-part of Ser. No. 608,737, Nov. 5, 1990, abandoned.

[52] U.S. Cl. D7/334

[58] Field of Search D7/332, 334, 337, 338, D7/339-340, , 447, 450; 99/419, 421 R, 446; 126/22, 25 R, 25 A, 25 AA, 25 B, 29, 30, 38, 41 R, 276, 273 R

[57] CLAIM

The ornamental design for a barbecue grill, as shown and described.

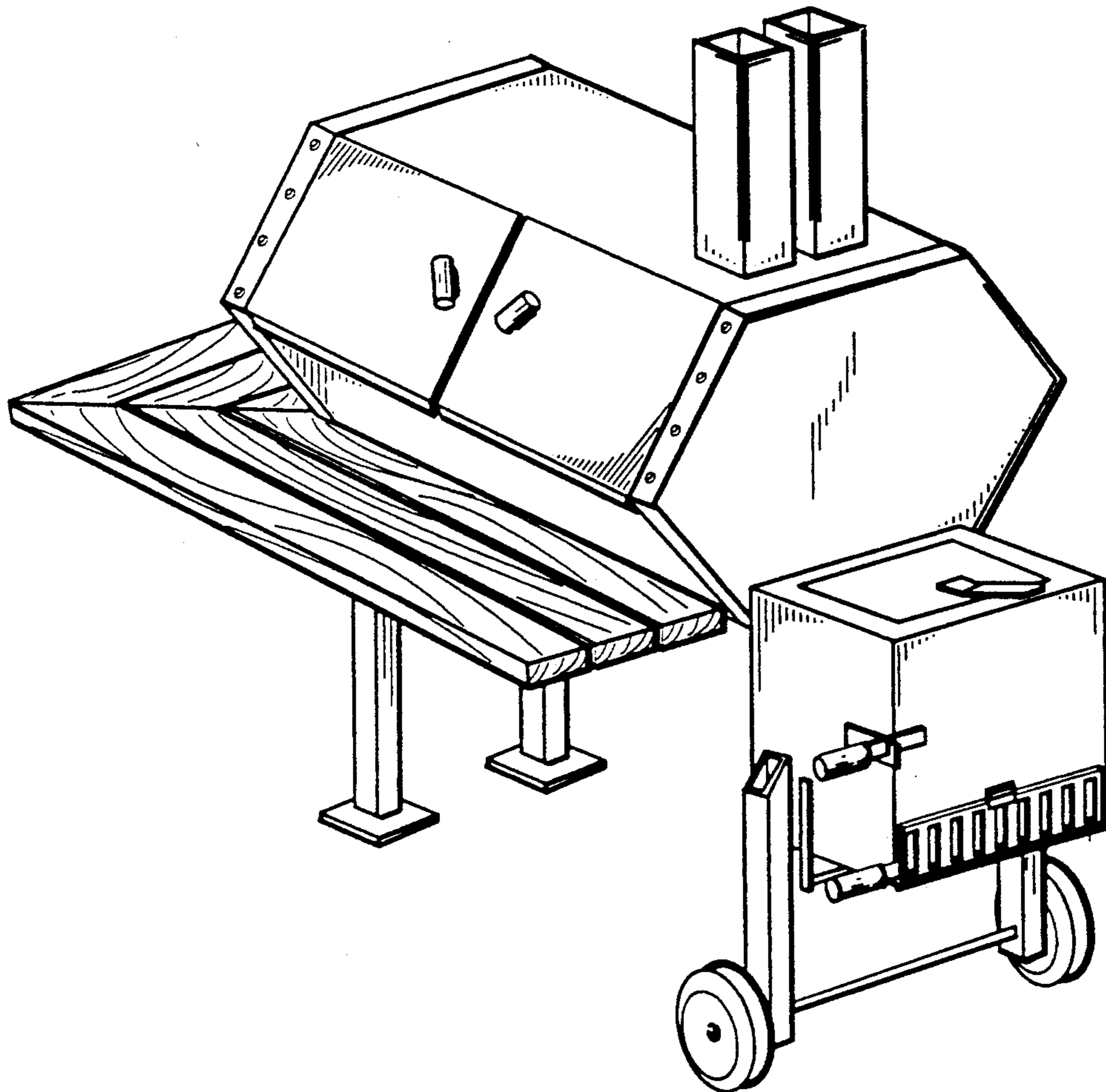
DESCRIPTION

FIG. 1 is a perspective view of a barbecue grill showing my new design;
FIG. 2 is a front elevational view thereof;
FIG. 3 is a rear elevational view thereof;
FIG. 4 is a right side elevational view thereof;
FIG. 5 is a left side elevational view thereof;
FIG. 6 is a top plan view thereof; and,
FIG. 7 is a bottom plan view thereof.

[56] References Cited

U.S. PATENT DOCUMENTS

D. 196,996 11/1963 Kates D7/334



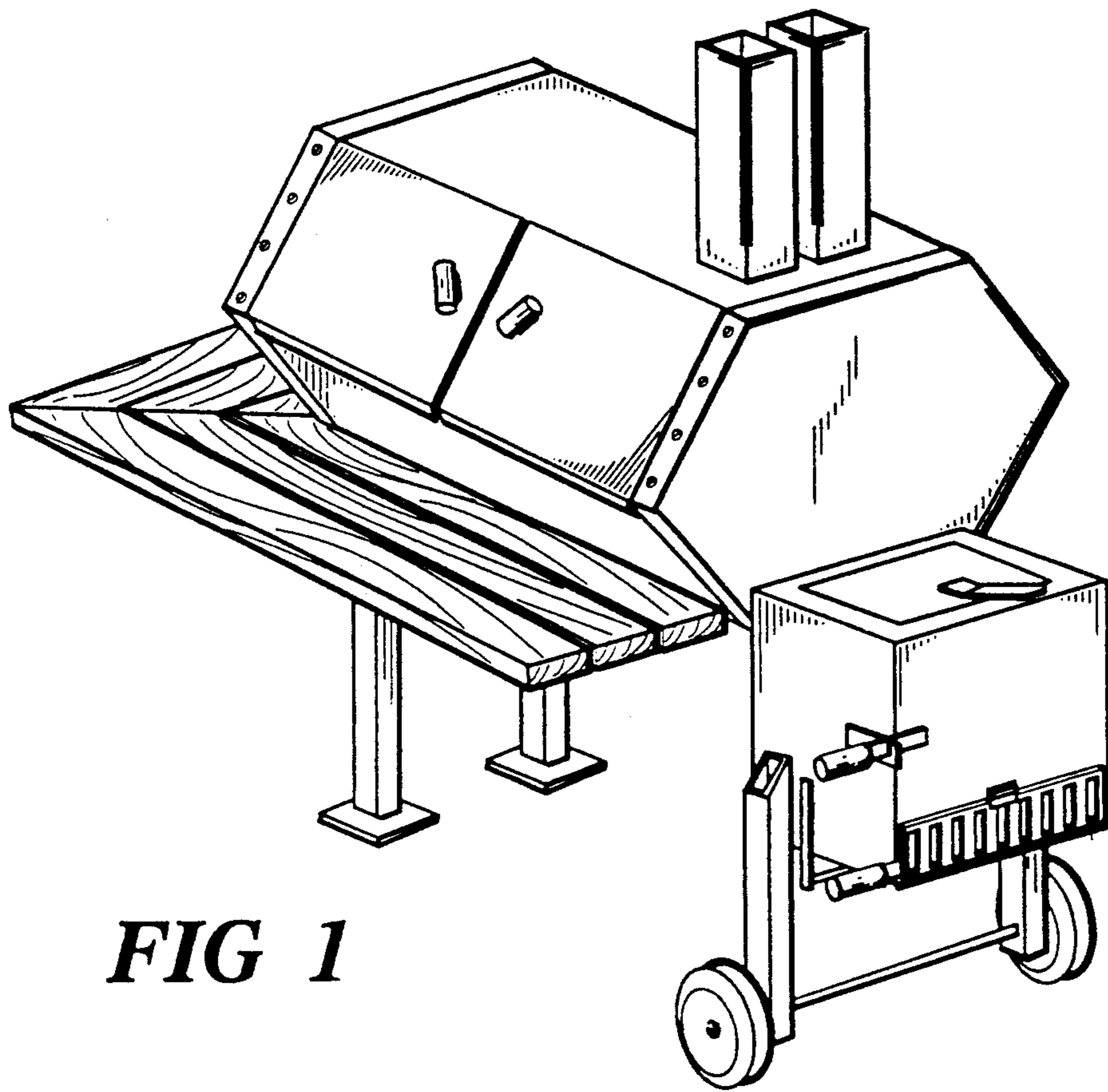


FIG 1

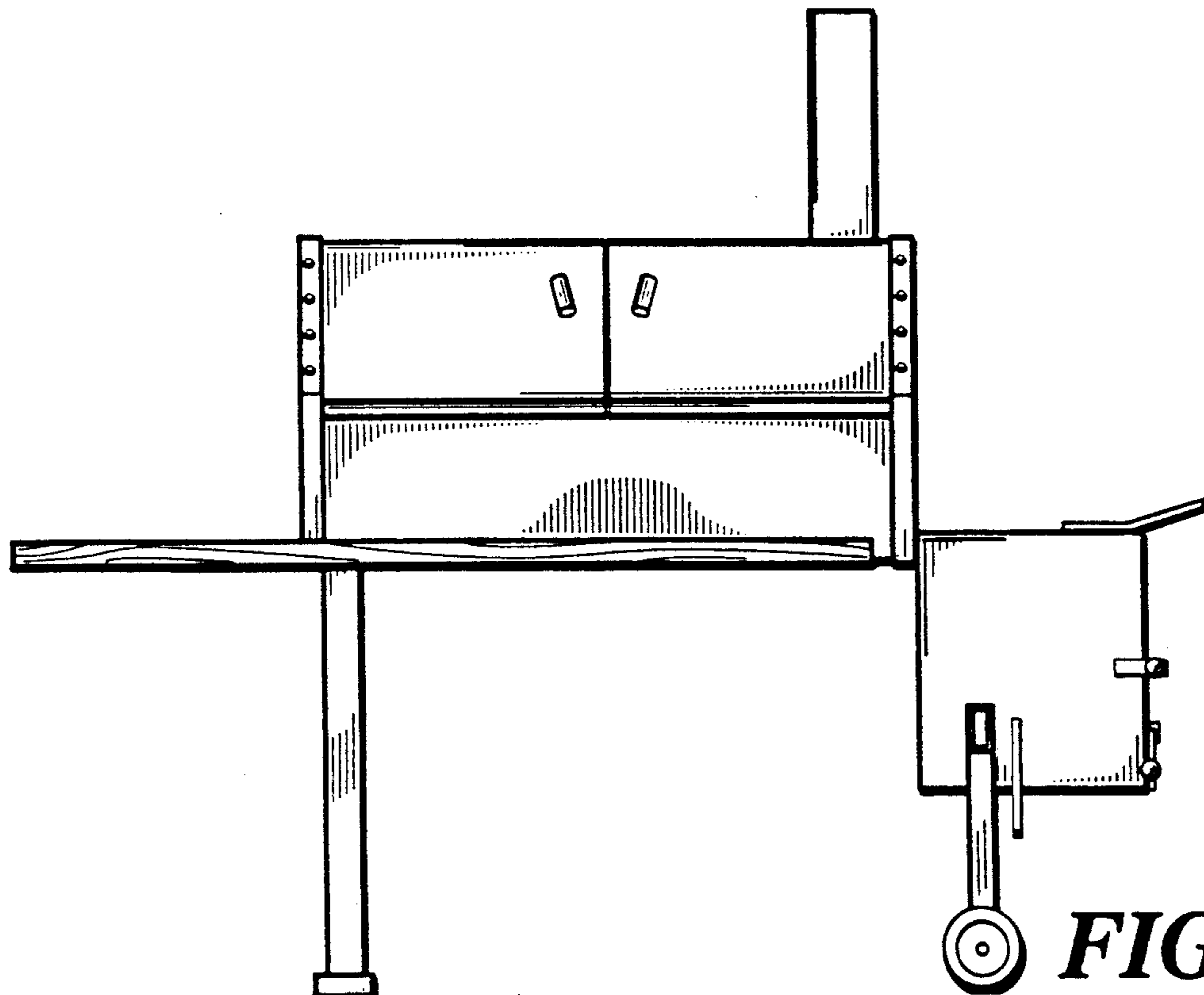
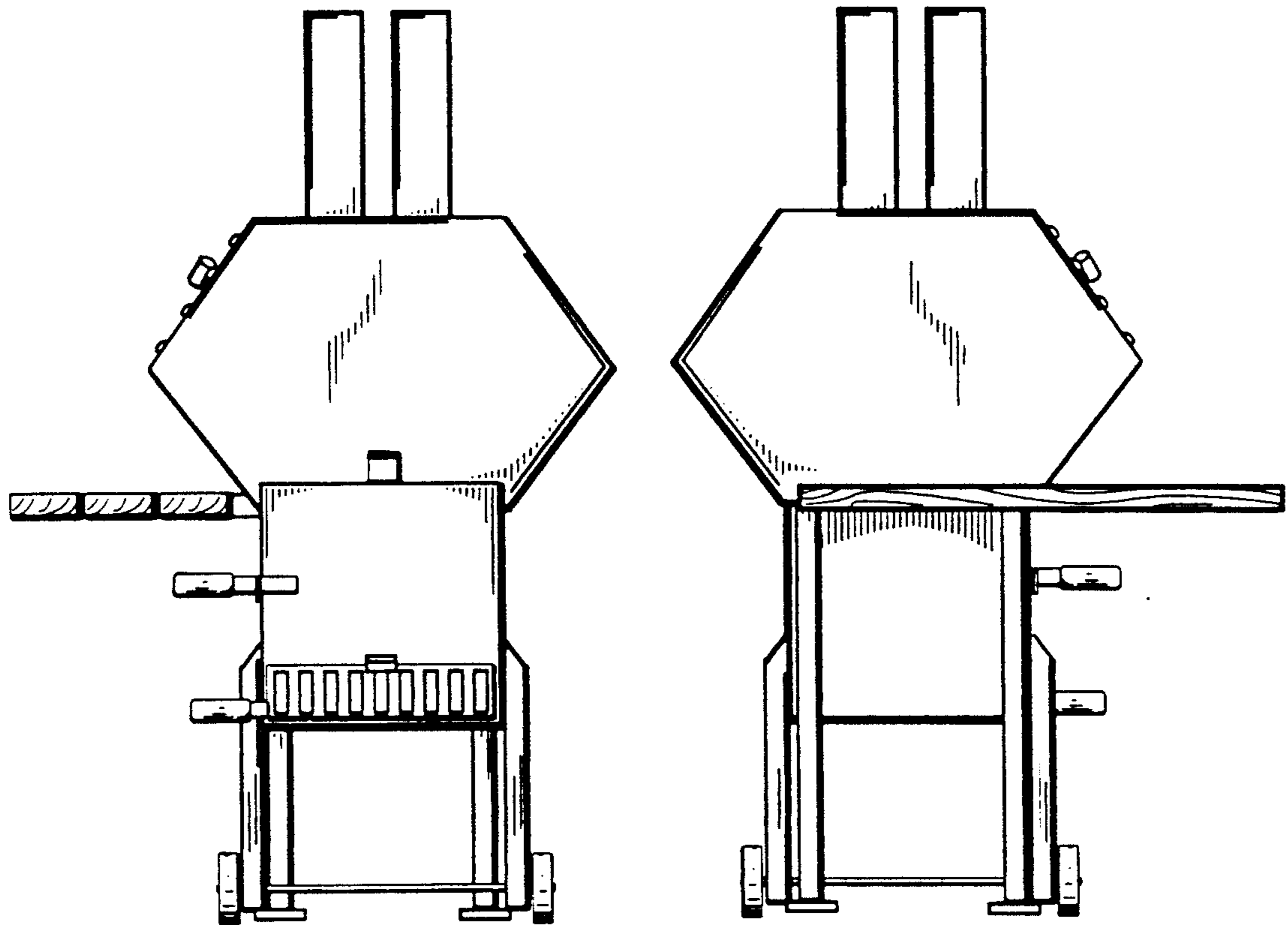
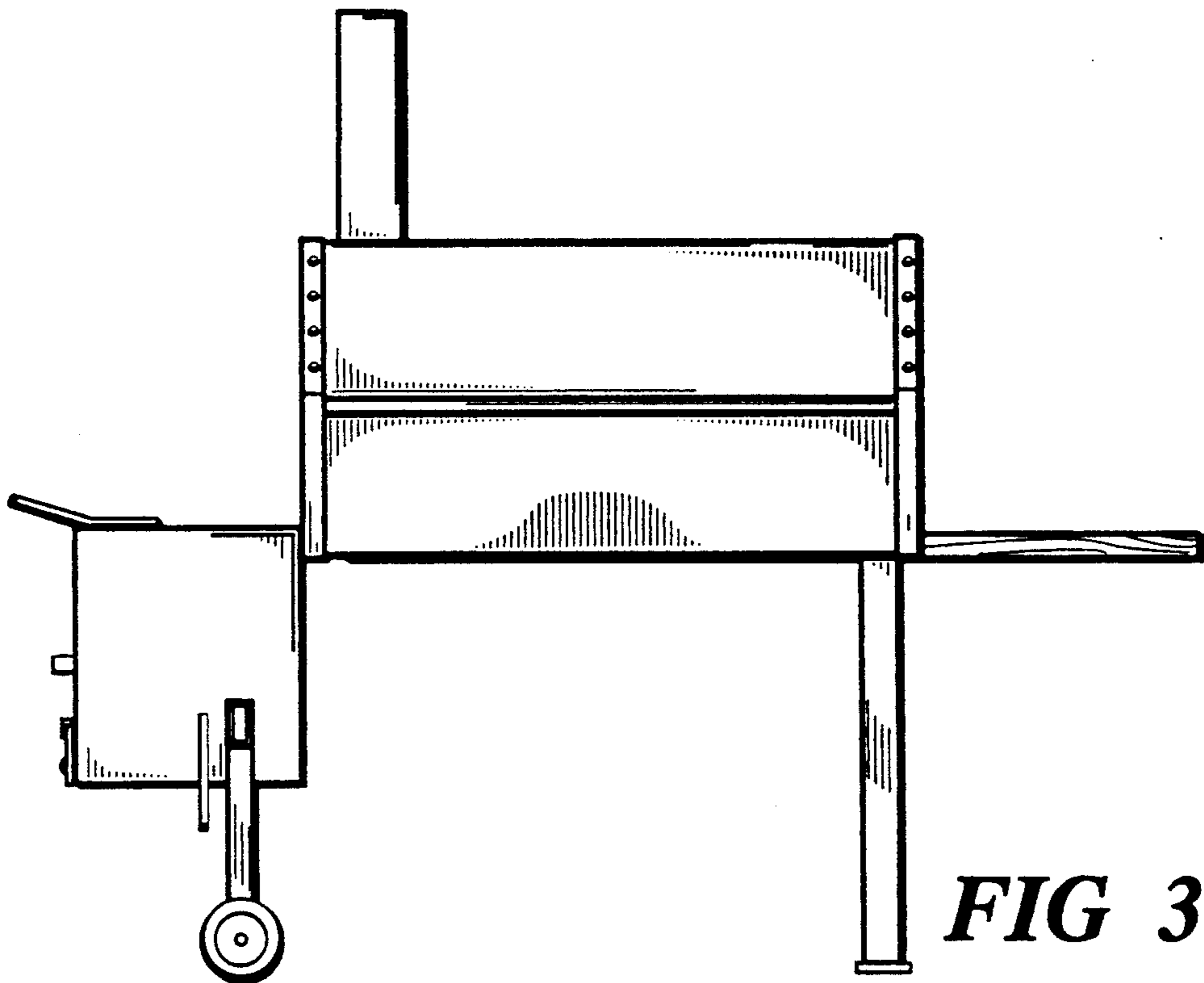


FIG 2



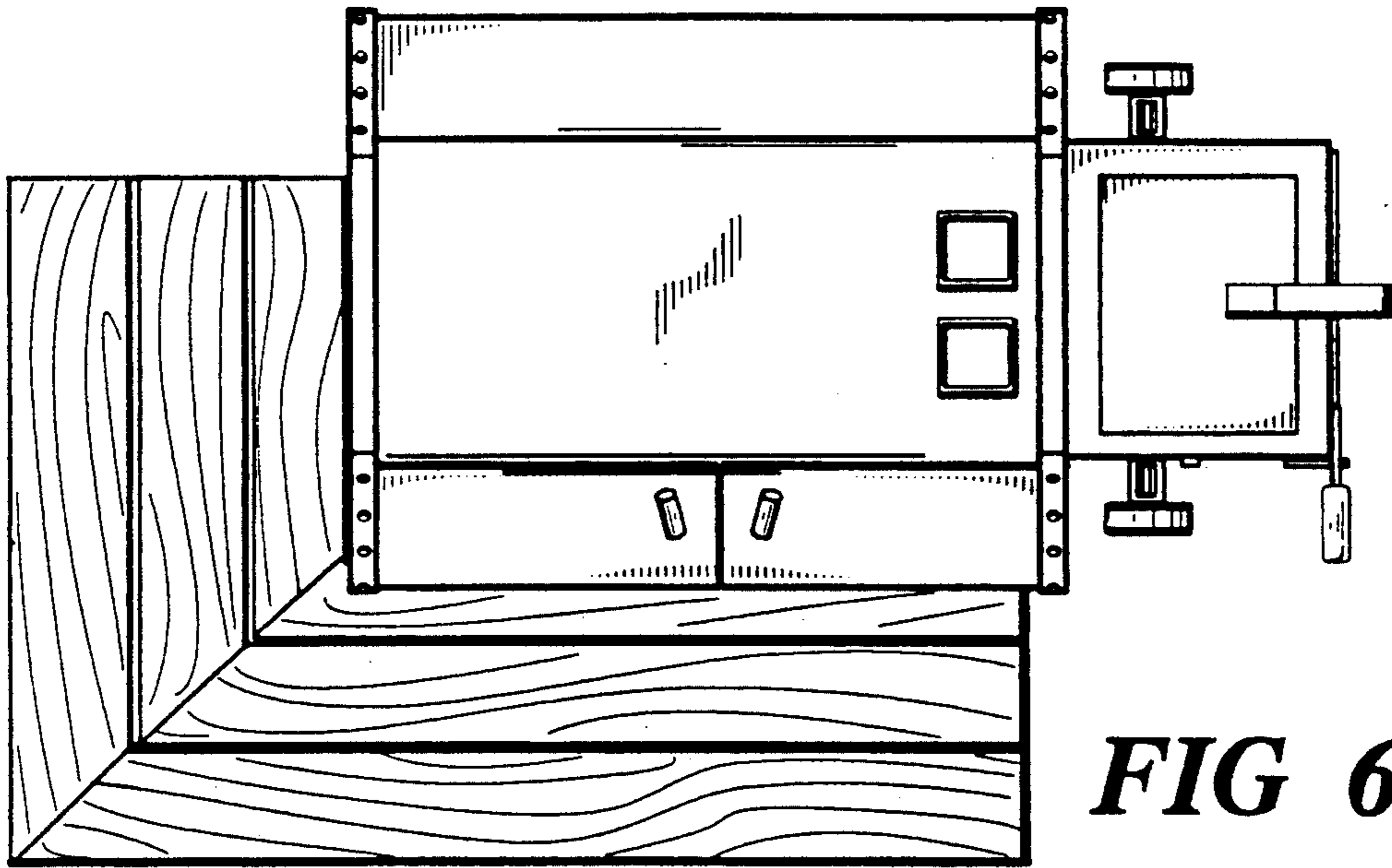


FIG 6

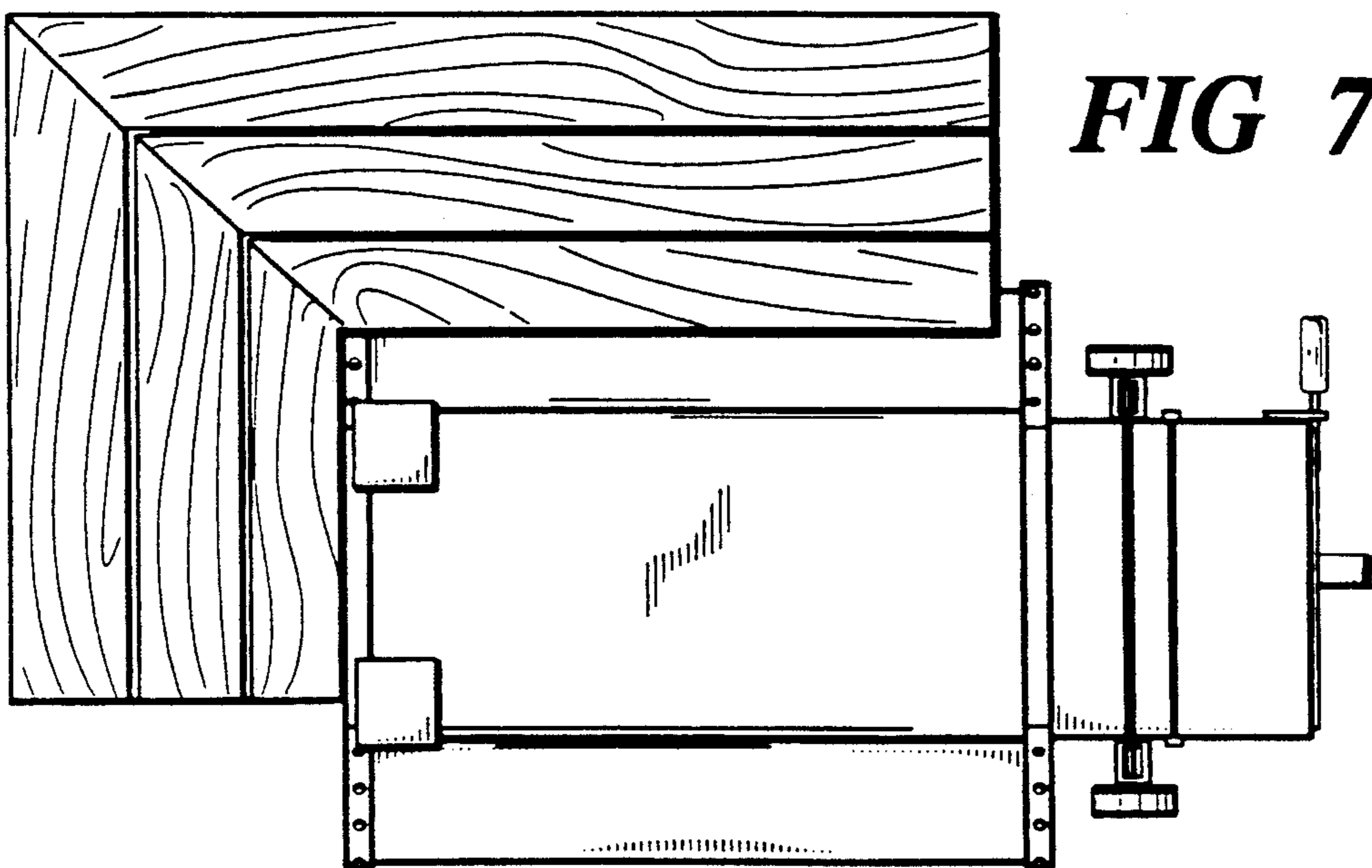


FIG 7