



US00D339954S

United States Patent [19]

[11] Patent Number: **Des. 339,954**

Bunn et al.

[45] Date of Patent: **** Oct. 5, 1993**

[54] HOME BREWER

[76] Inventors: **Arthur H. Bunn**, 1601 Willemore Ave., Springfield, Ill. 62704; **Robert Worrell**, 148 Interlacken Rd., Hopkins, Minn. 55343

[**] Term: **14 Years**

[21] Appl. No.: **702,671**

[22] Filed: **May 20, 1991**

[52] U.S. Cl. **D7/309; D7/311**

[58] Field of Search **D7/300, 309, 310, 311, D7/305, 533, 536, 313, 608, 317, 316, 318, 319, 320, 321, 322, 312, 303; 222/181, 131, 185, 209, 475.1; 99/300, 323.3, 292, 295, 306**

D. 299,608	1/1989	Knochner	D7/310 X
D. 313,146	12/1990	Precht	D7/310 X
D. 314,881	2/1991	Wongergem et al.	D7/305
D. 317,996	7/1991	Jack	D7/309
D. 319,752	9/1991	Adams et al.	D7/309 X
D. 327,601	7/1992	Beeren et al.	D7/309
D. 329,160	9/1992	Choi	D7/309
4,920,868	5/1990	Gehrmann	99/295
5,060,558	10/1991	Beumer et al.	99/306

Primary Examiner—Alan P. Douglas

Assistant Examiner—M. N. Pandozzi

[57] CLAIM

The ornamental design for a home brewer, as shown and described.

DESCRIPTION

FIG. 1 is a perspective view of a home brewer showing our new design;

FIG. 2 is a front elevational view thereof;

FIG. 3 is a side elevational view thereof; the side opposite being a mirror image of the side shown;

FIG. 4 is a rear elevational view thereof, at reduced scale;

FIG. 5 is a top plan view thereof; and,

FIG. 6 is a bottom view thereof.

[56] References Cited

U.S. PATENT DOCUMENTS

D. 283,779	5/1986	Beeren	D7/309
D. 286,848	11/1986	Levin	D7/305 X
D. 288,164	2/1987	Stutzer et al. .	
D. 290,216	6/1987	Precht .	
D. 291,525	9/1987	Classen .	
D. 296,857	7/1988	Stutzer .	
D. 296,971	8/1988	Stutzer .	

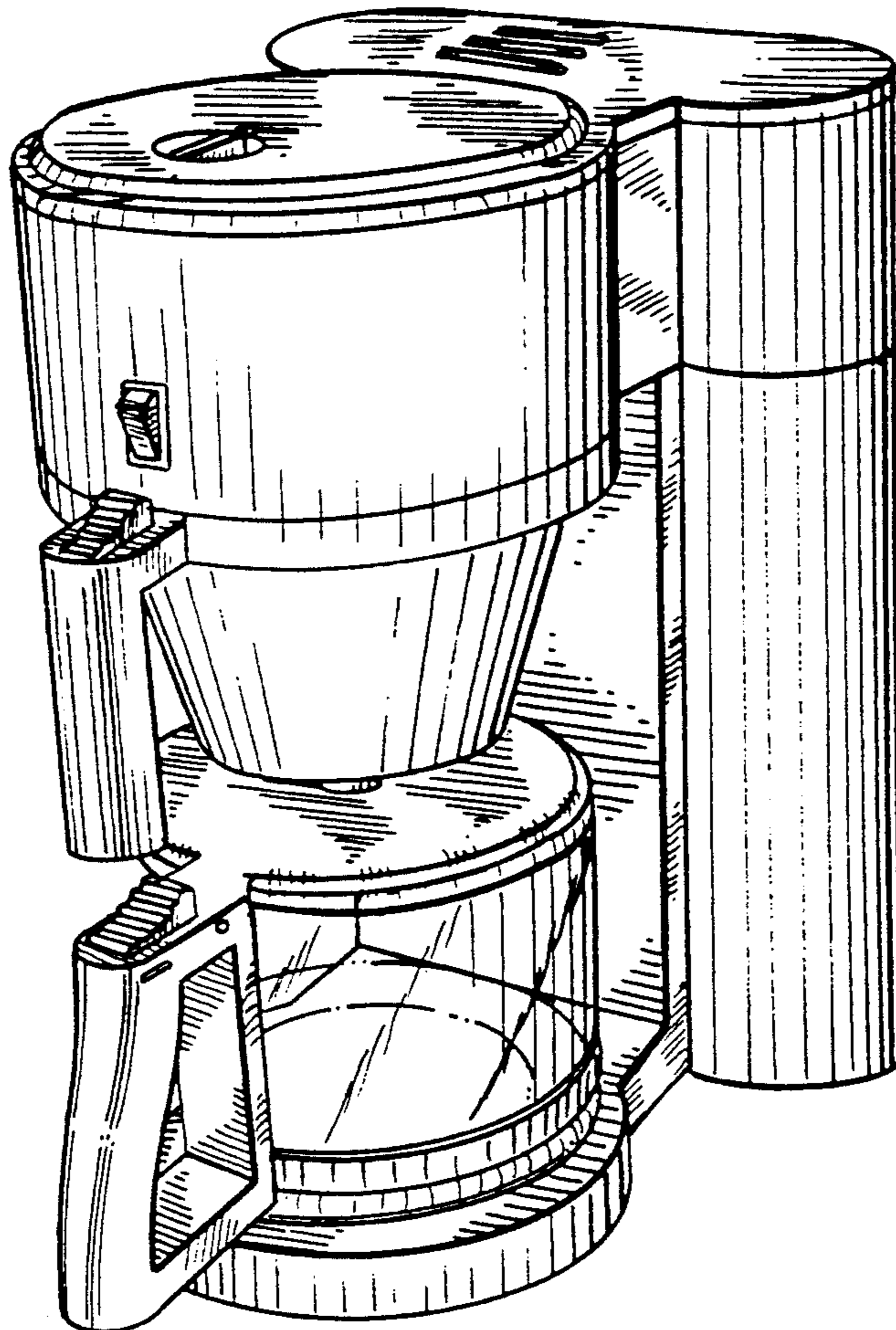


FIG.2

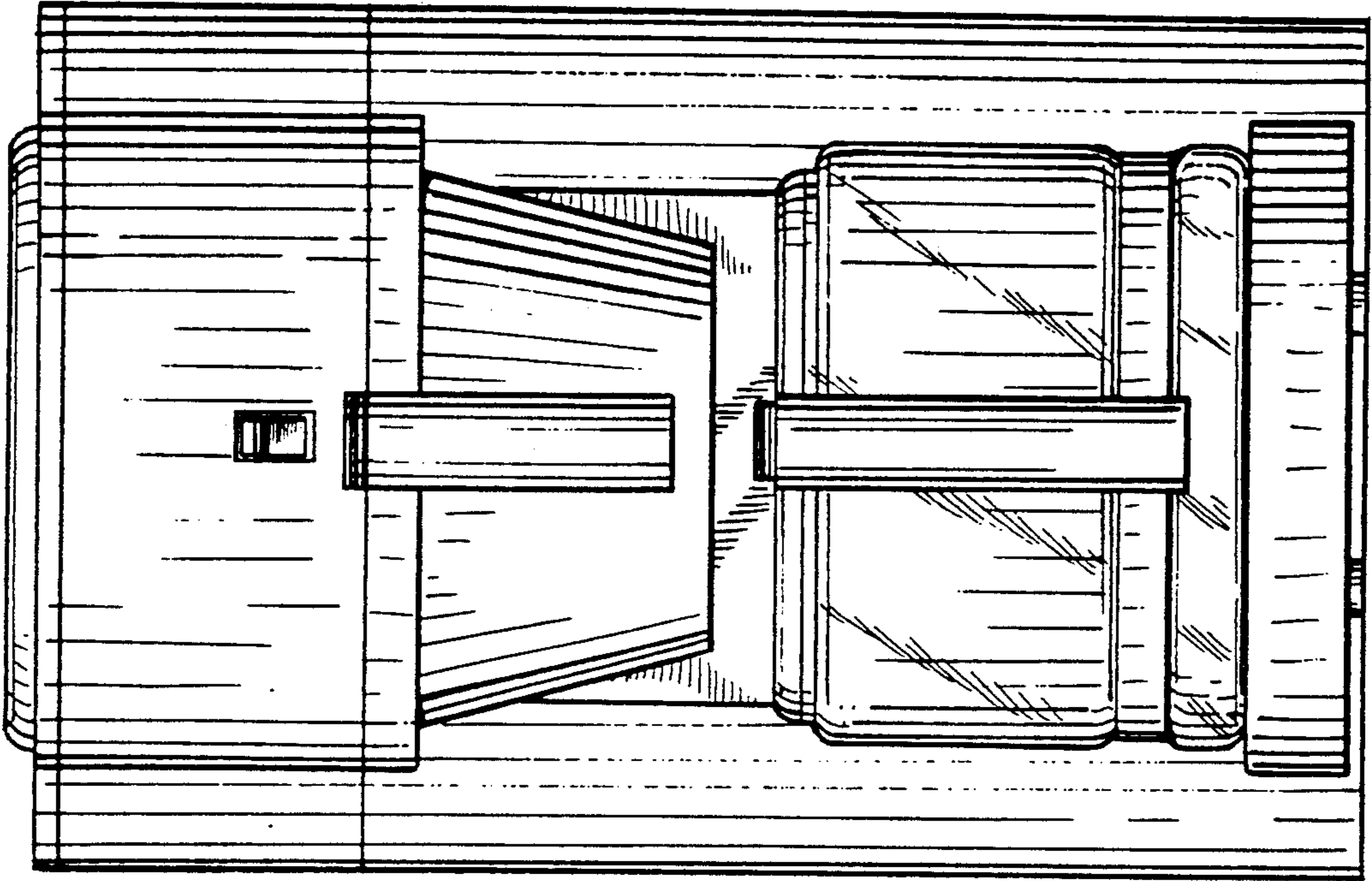


FIG.1

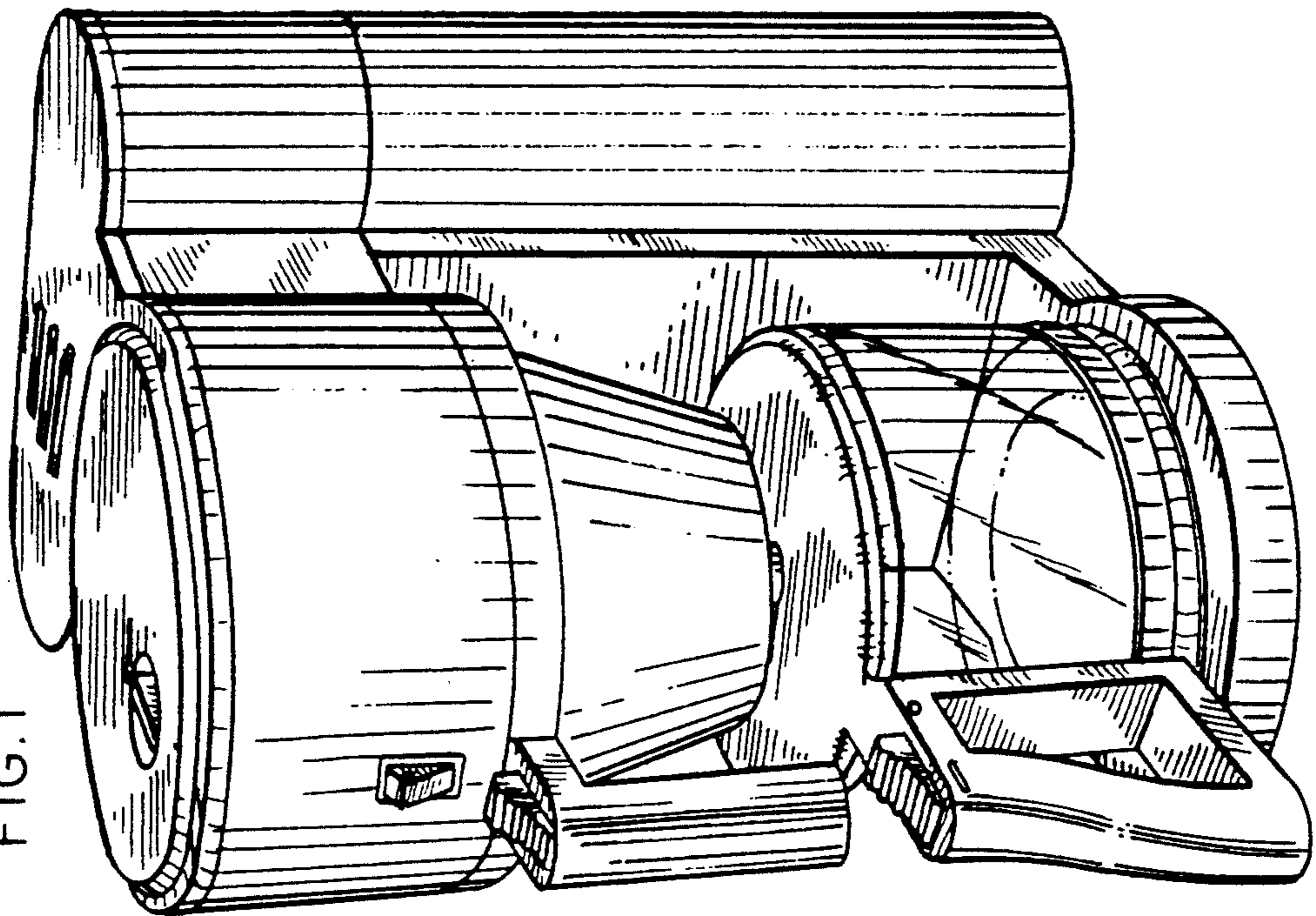


FIG. 3

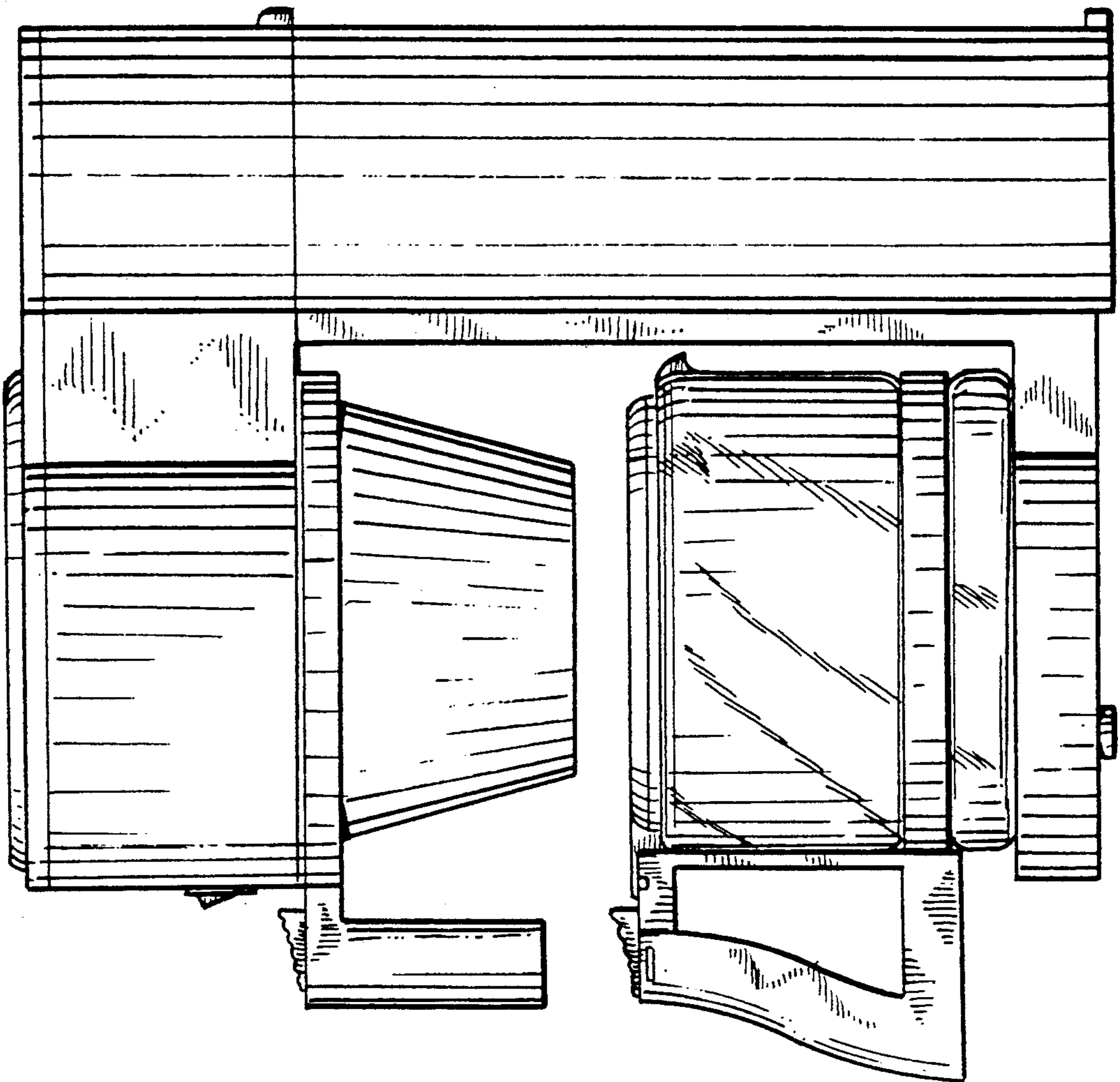
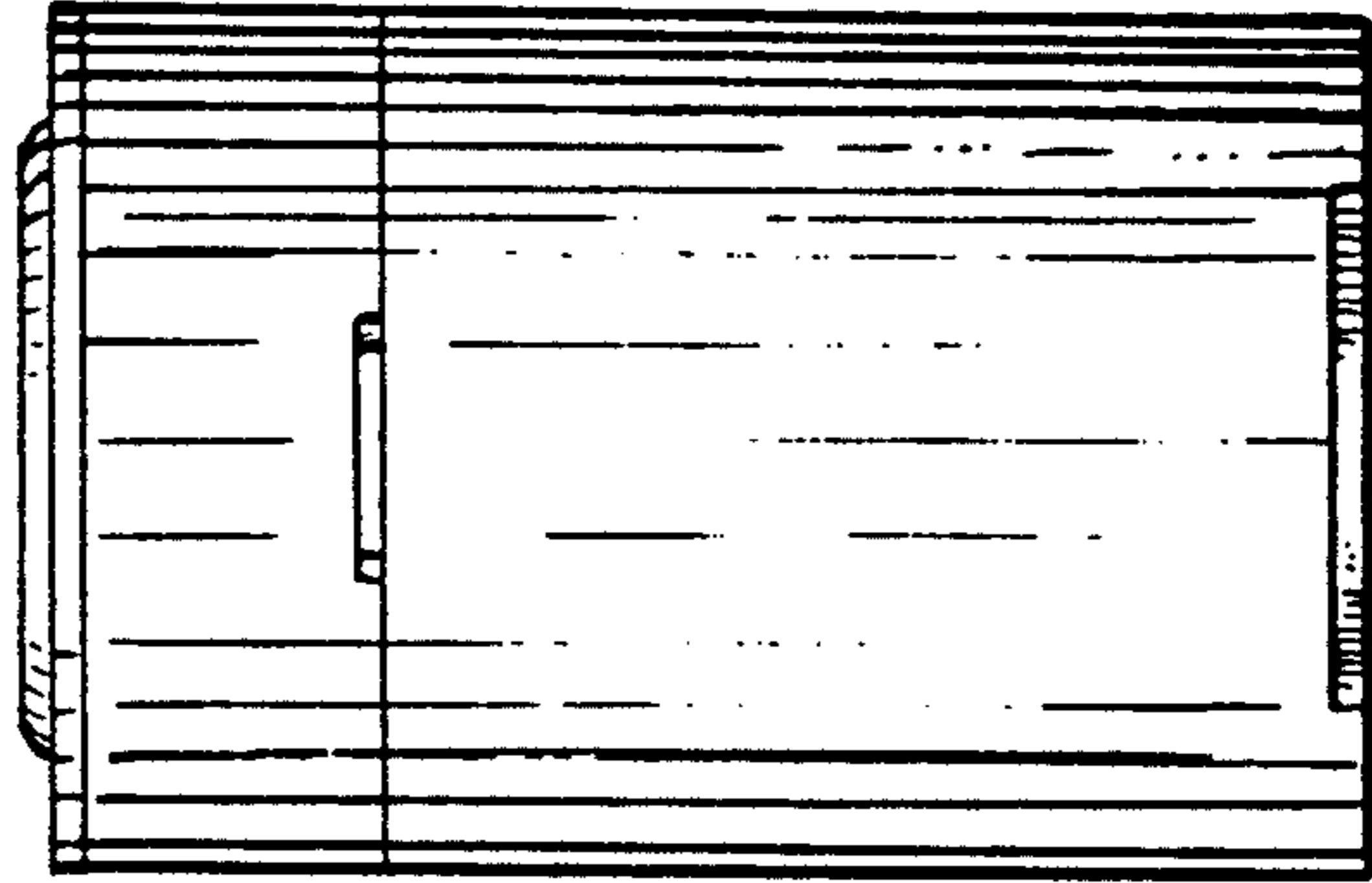


FIG. 4



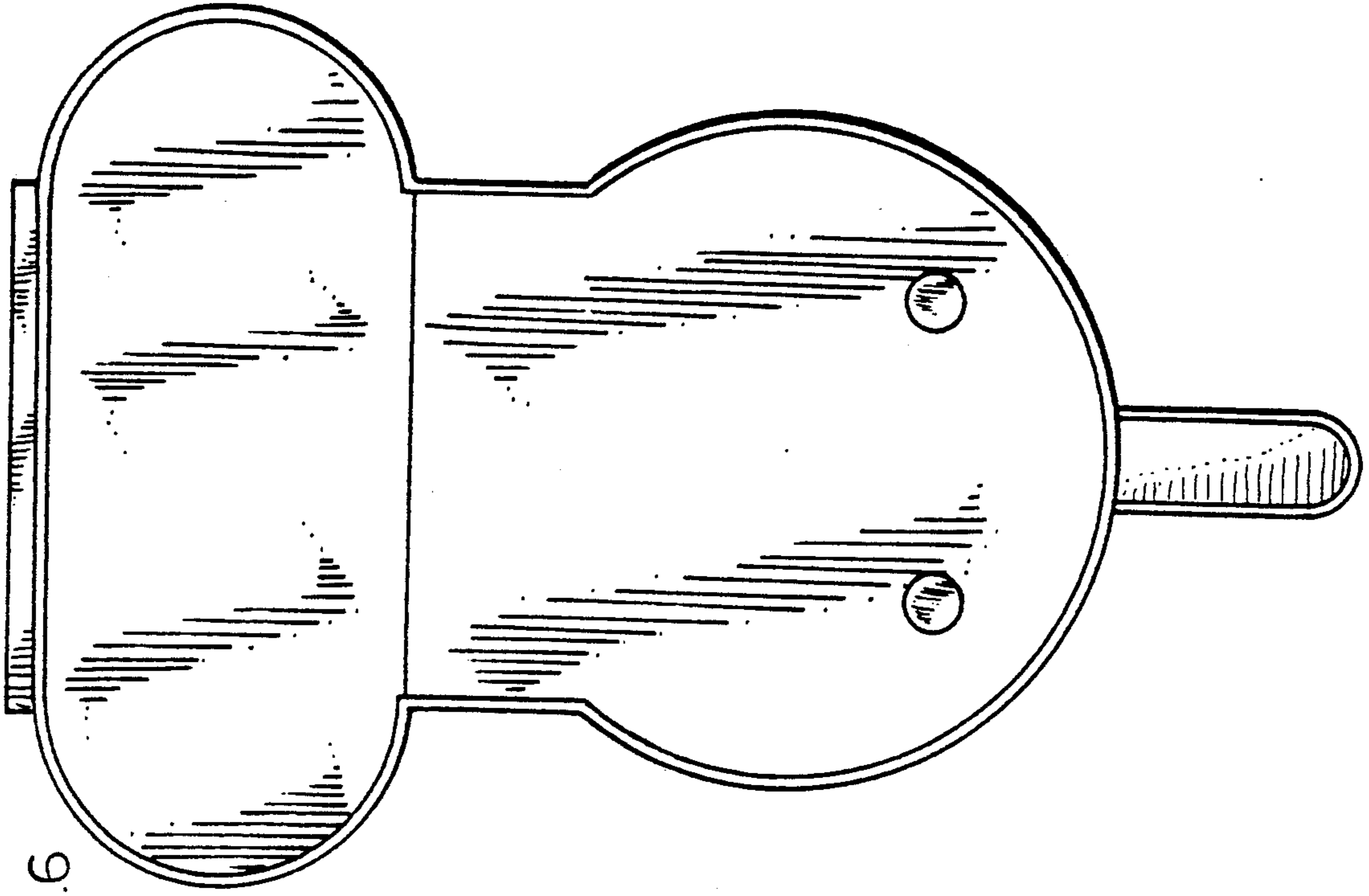


FIG. 6

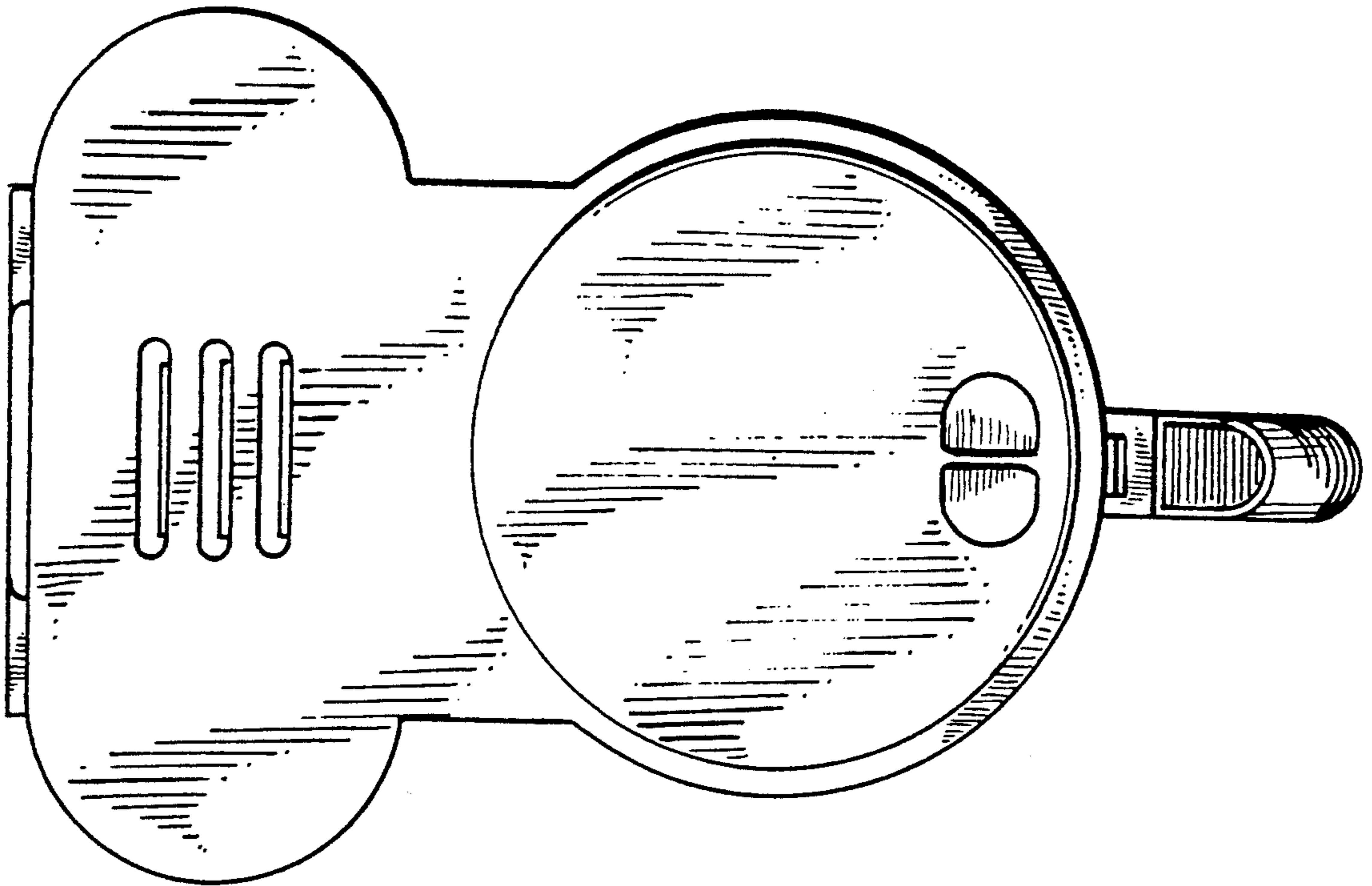


FIG. 5

UNITED STATES PATENT AND TRADEMARK OFFICE
CERTIFICATE OF CORRECTION

PATENT NO. : Des. 339,954
DATED : October 5, 1993
INVENTOR(S) : Arthur H. Bunn

It is certified that error appears in the above-identified patent and that said Letters Patent is hereby corrected as shown below:

On title page, item [73] Assignee: add --Bunn-O-Matic Corporation,
Springfield, Illinois-- and

Item [56] after "Assistant Examiner" add --Attorney, Agent, or Firm--
Trexler, Bushnell, Giangiorgi & Blackstone, Ltd.--

Signed and Sealed this
Twenty-first Day of February, 1995

Attest:



BRUCE LEHMAN

Attesting Officer

Commissioner of Patents and Trademarks