



US00D339952S

United States Patent [19]

[11] Patent Number: **Des. 339,952**

Rosen

[45] Date of Patent: **** Oct. 5, 1993**

[54] **COMBINED ALARM CLOCK AND COFFEEMAKER**

4,667,583 5/1987 Tarozzi D7/309 X

[76] Inventor: **Rosalyn E. Rosen, 25 W. Highland Dr. #4, Seattle, Wash. 98119**

FOREIGN PATENT DOCUMENTS

1080222 6/1953 France .
1214364 11/1958 France .

[**] Term: **14 Years**

Primary Examiner—Alan P. Douglas
Assistant Examiner—M. N. Pandozzi
Attorney, Agent, or Firm—Terry M. Gernstein

[21] Appl. No.: **748,054**

[22] Filed: **Aug. 21, 1991**

[52] U.S. Cl. **D7/305; D7/309**

[57] CLAIM

[58] Field of Search **D7/300, 301, 305, 306, D7/307, 308, 309, 310, 311, 312, 313; 99/295, 293, 290**

The ornamental design for a combined alarm clock and coffeemaker, as shown and described.

DESCRIPTION

[56] References Cited

U.S. PATENT DOCUMENTS

- D. 290,215 6/1987 Sonnentag et al. D7/309
- D. 298,722 11/1988 Nomura D7/309
- D. 299,900 2/1989 Marotta D7/309
- D. 312,743 12/1990 Osit D7/309
- 4,083,295 4/1978 Hollingsworth .
- 4,222,320 9/1980 Castleberry .
- 4,382,402 5/1983 Alvarez .

FIG. 1 is a top, front right perspective view of a combined alarm clock and coffeemaker showing my new design;

FIG. 2 is a front elevational view thereof;

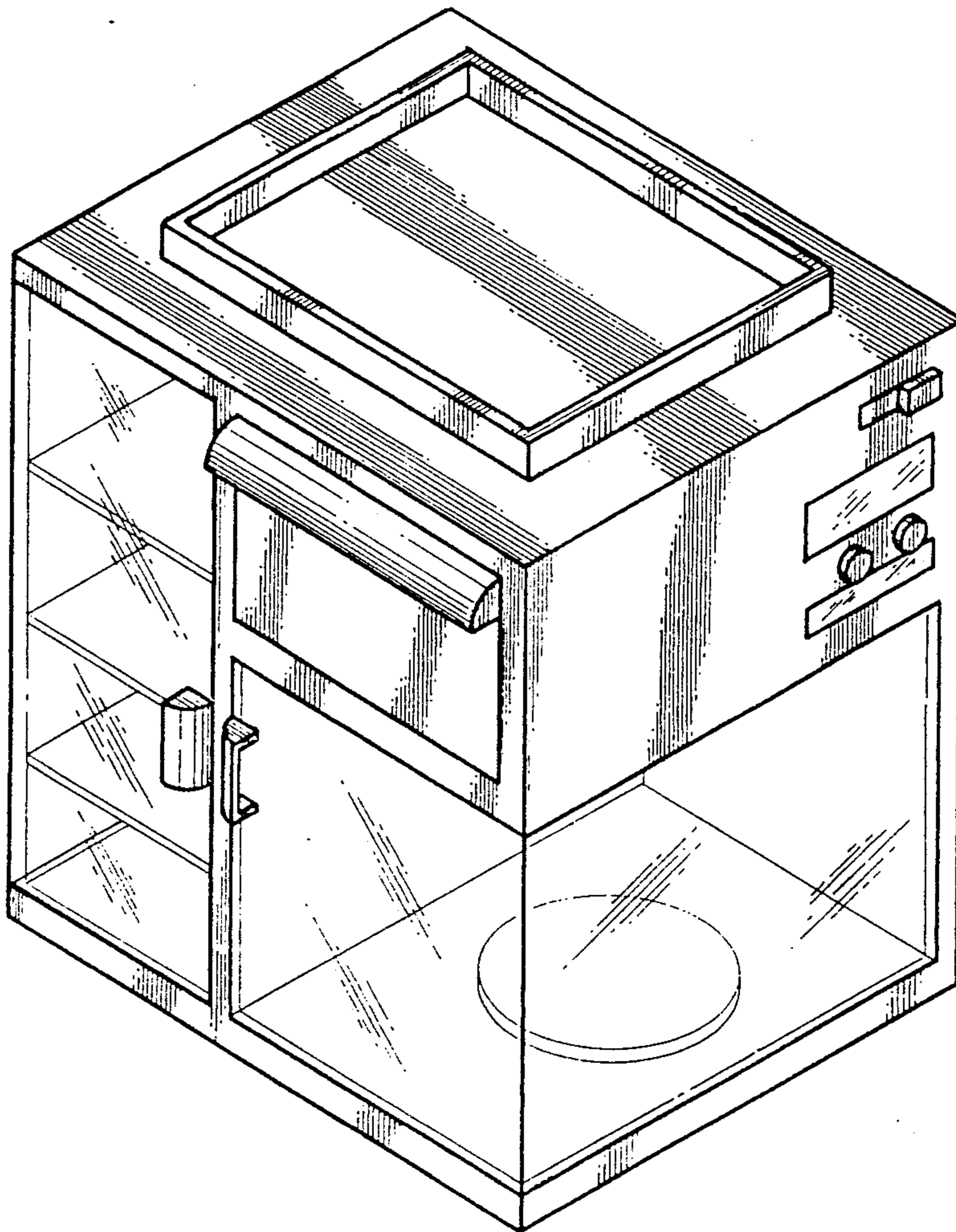
FIG. 3 is a rear elevational view thereof;

FIG. 4 is a left side elevational view thereof;

FIG. 5 is a right side elevational view thereof;

FIG. 6 is a top plan view thereof; and,

FIG. 7 is a bottom view thereof.



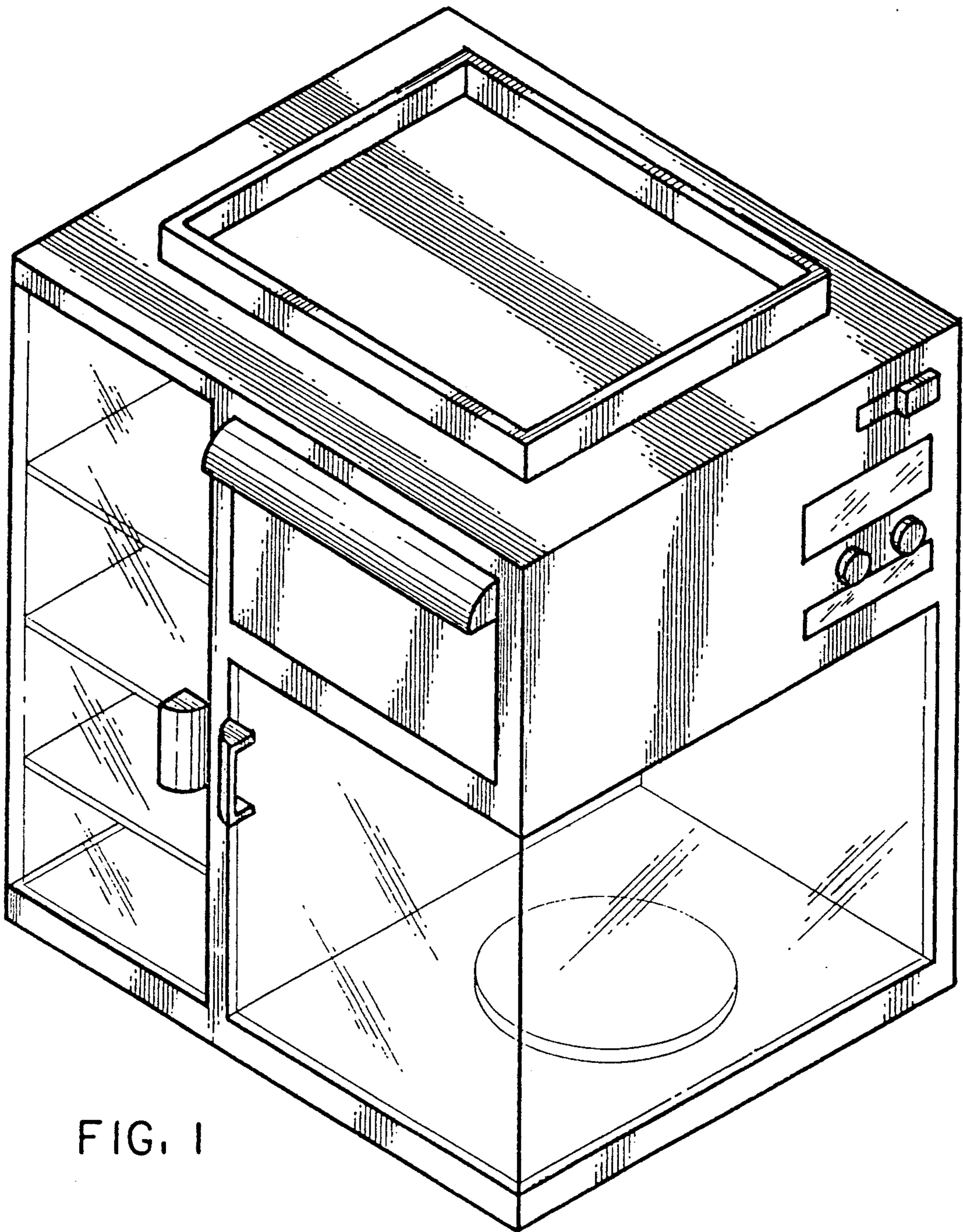


FIG. 1

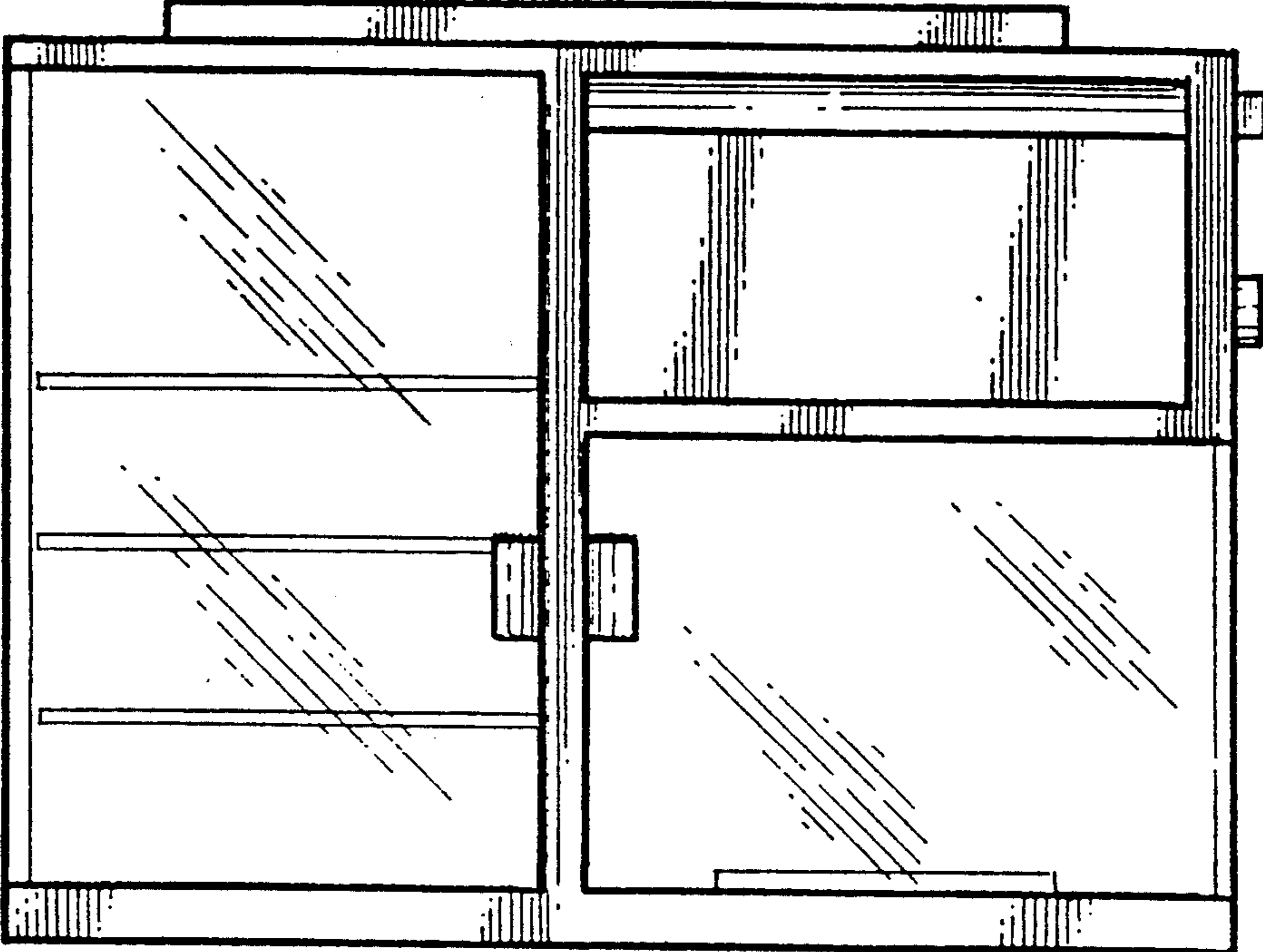


FIG. 2

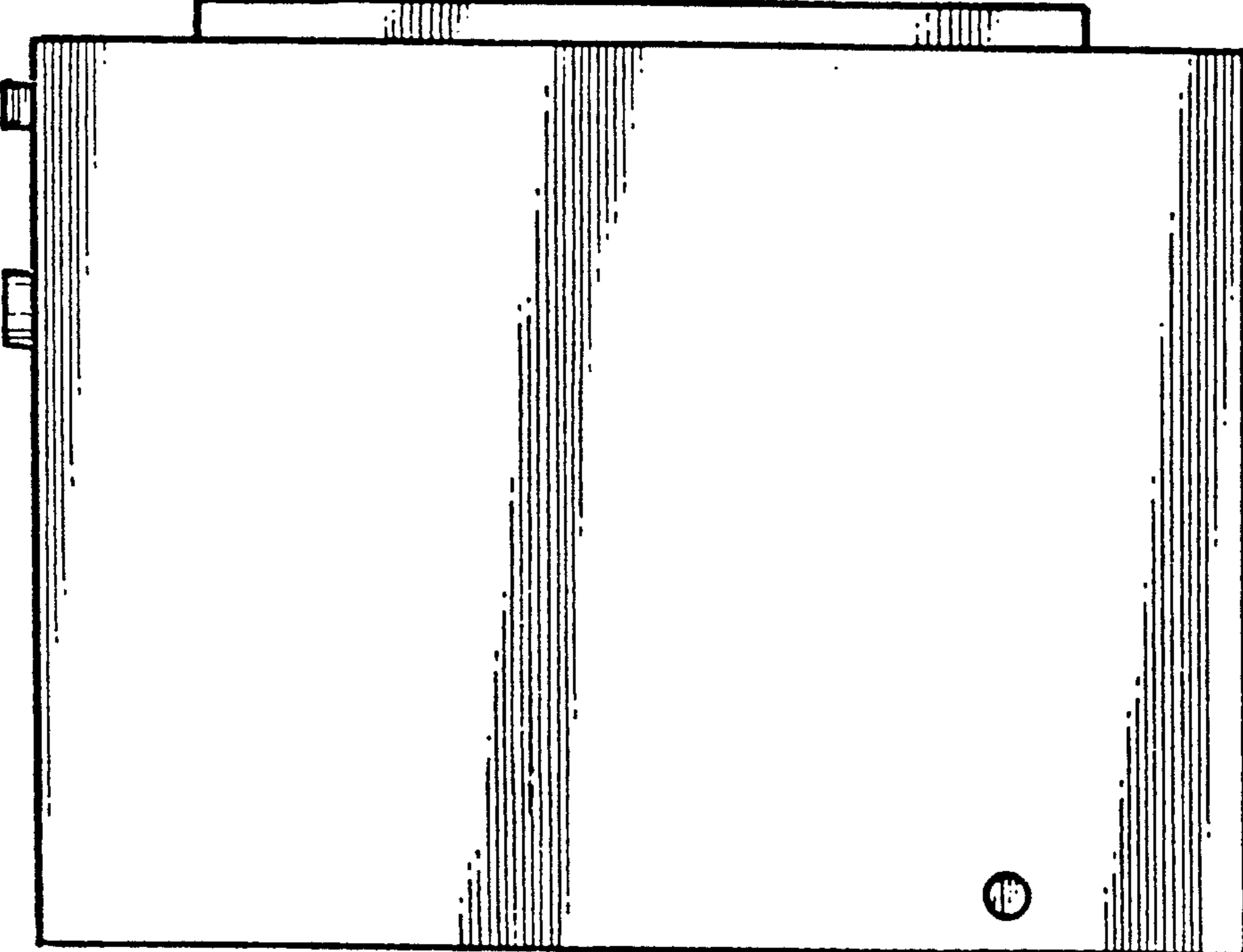


FIG. 3

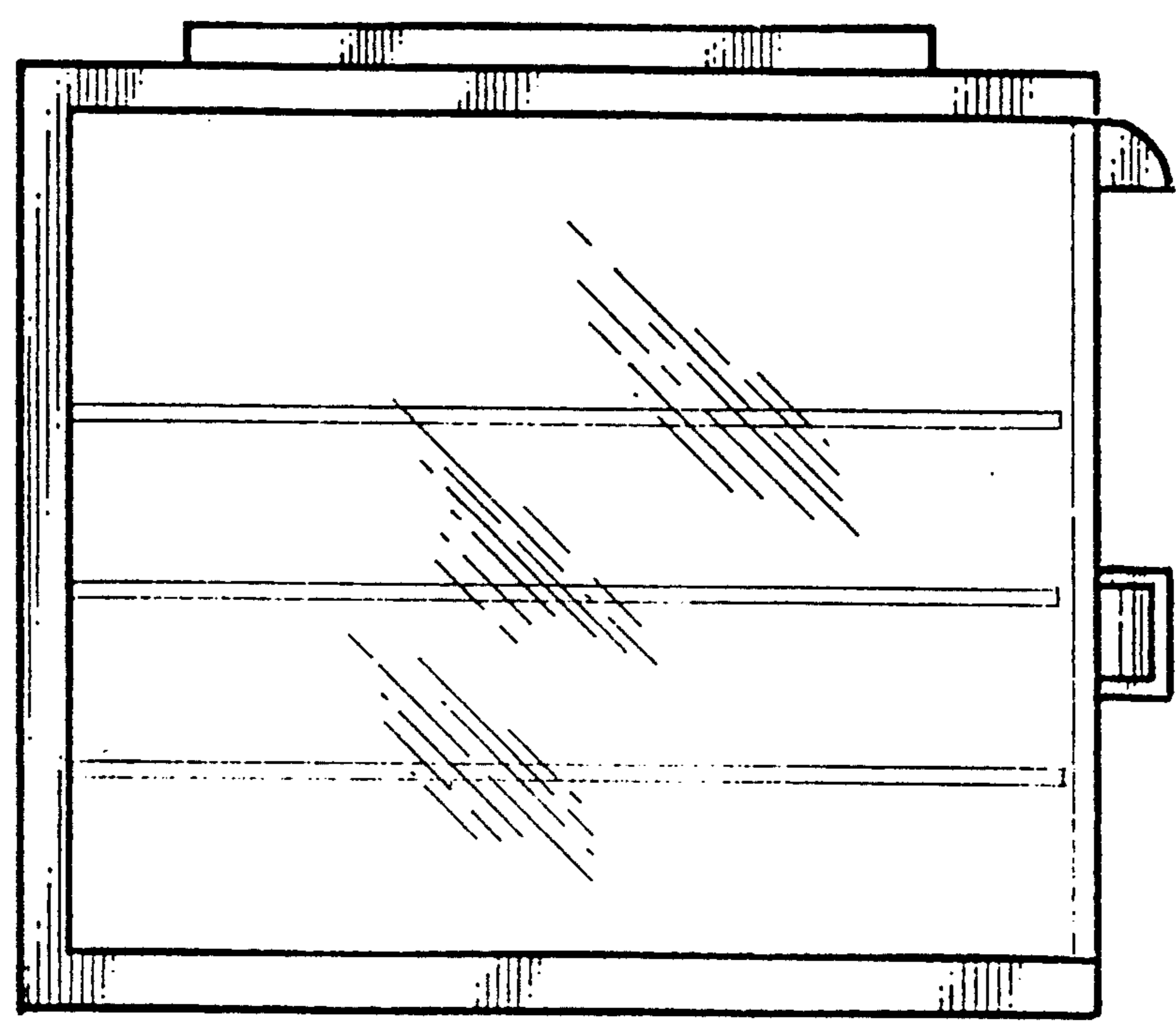


FIG. 4

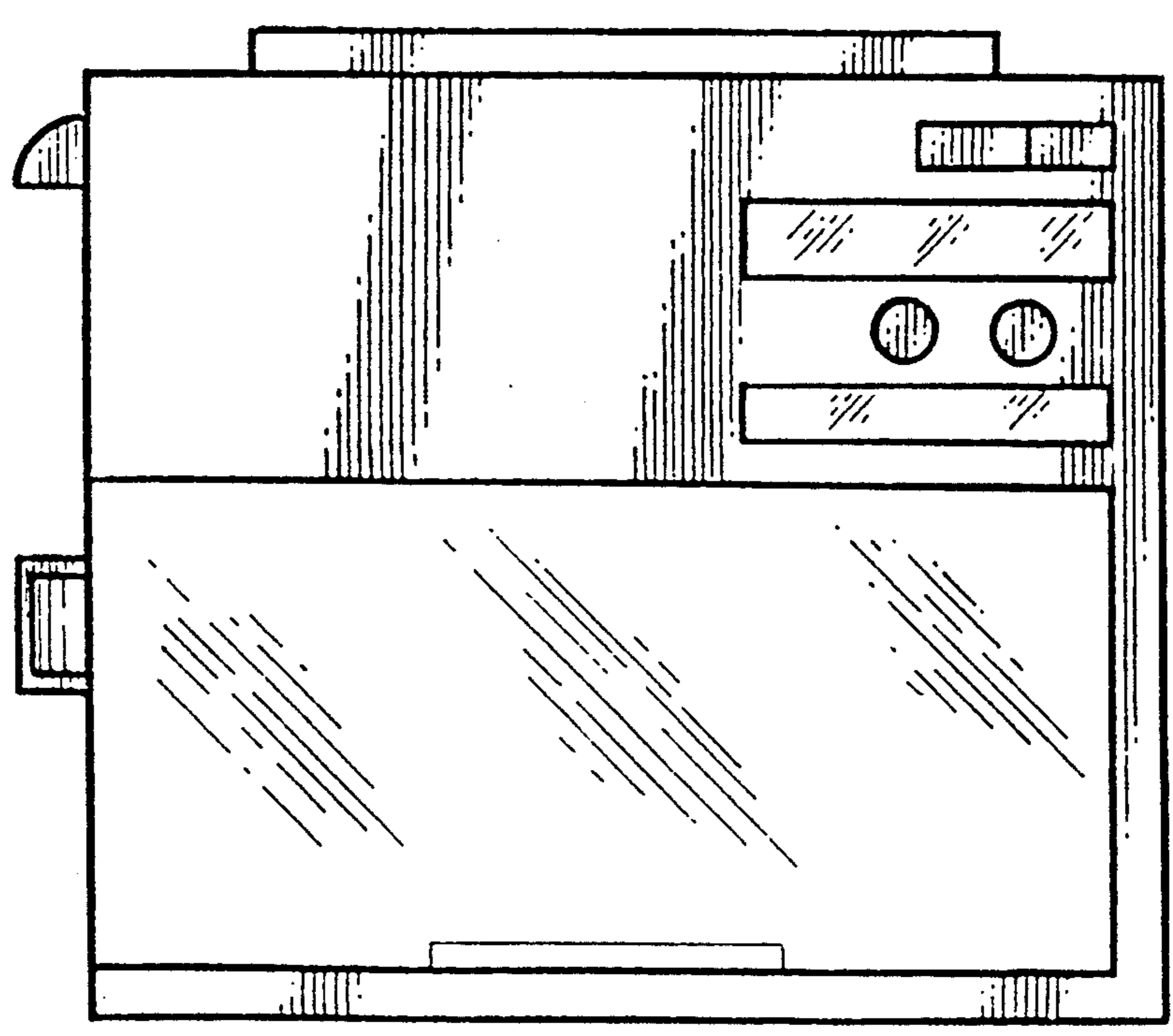


FIG. 5

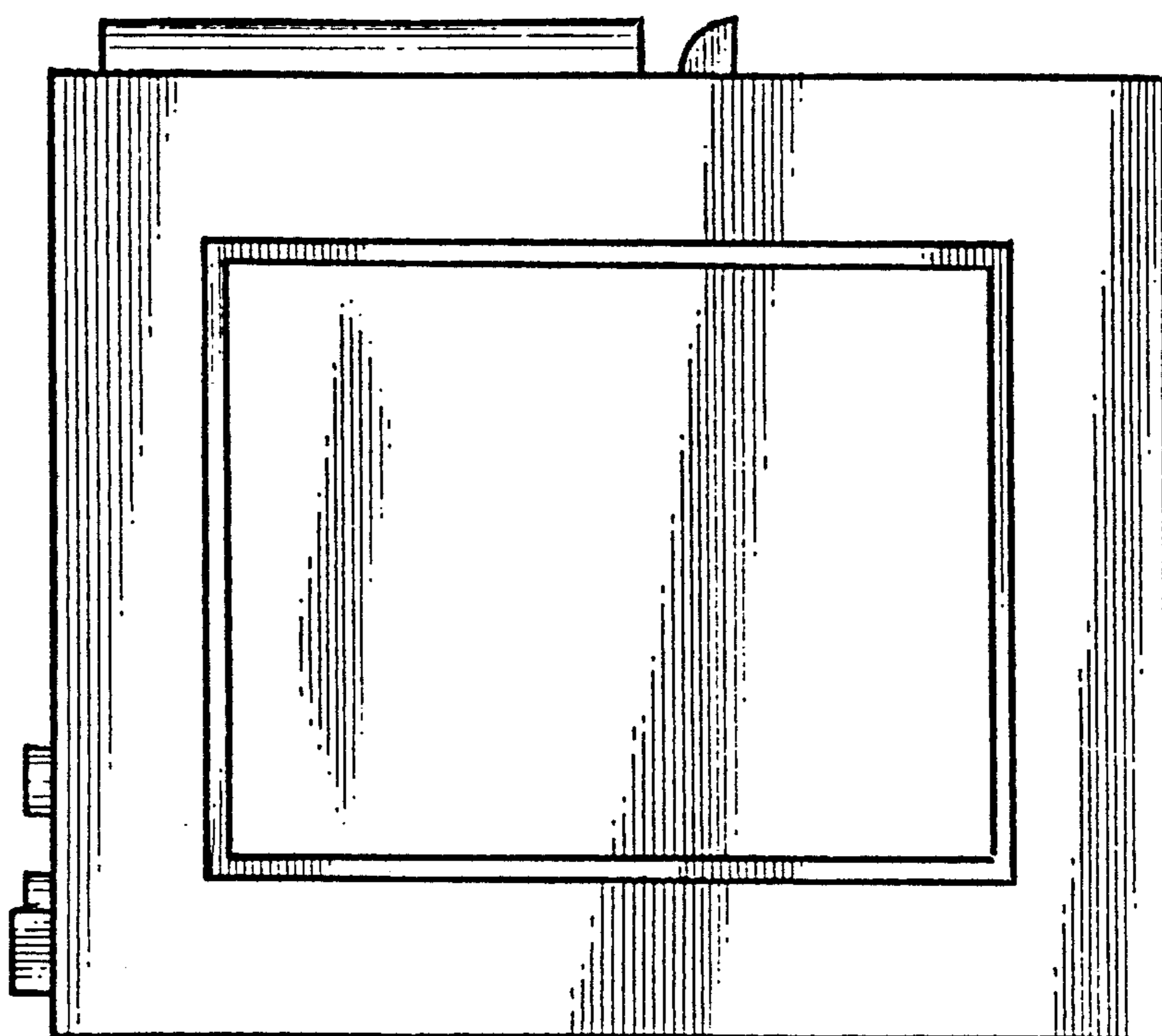


FIG. 6

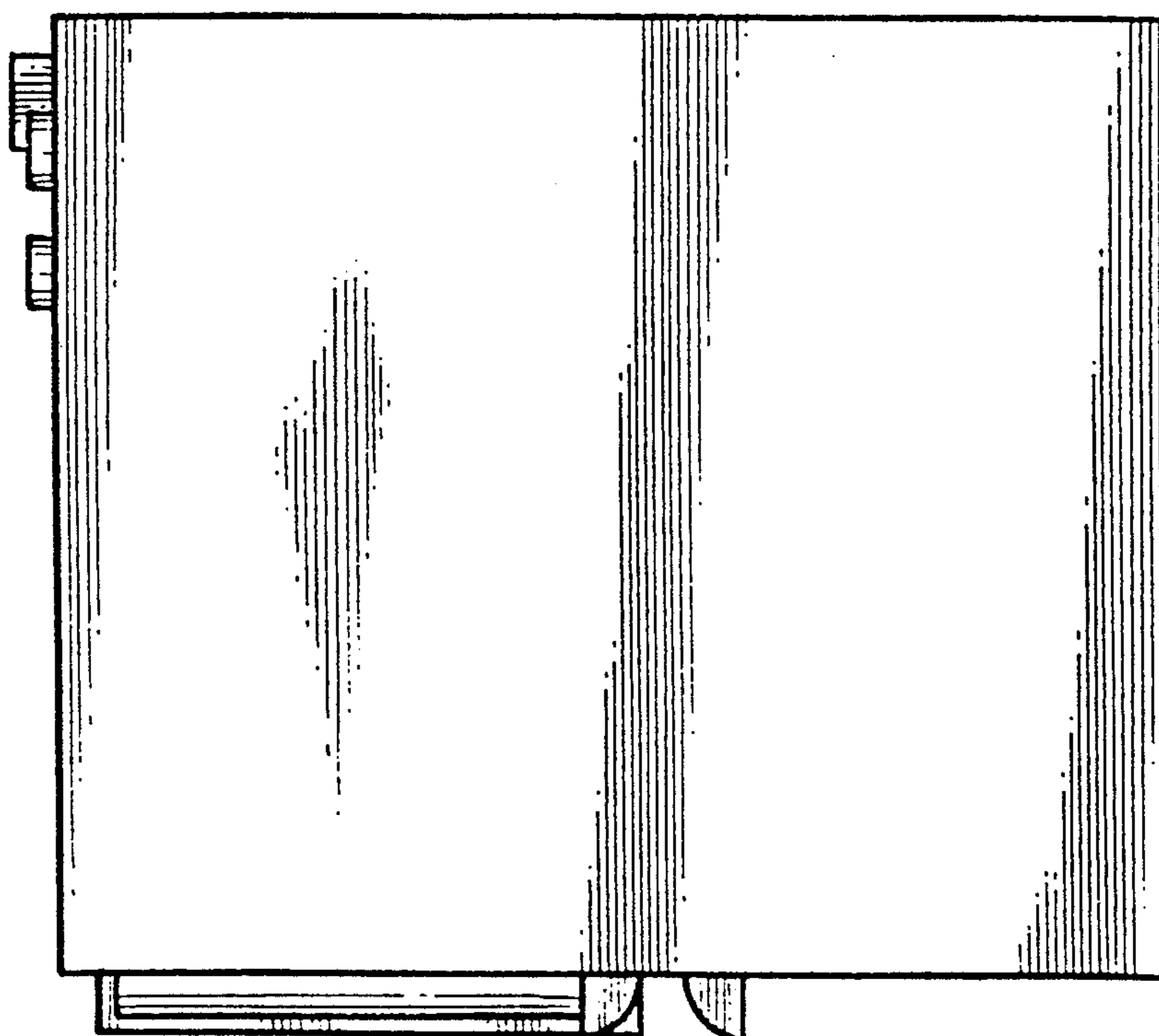


FIG. 7