



US00D339947S

United States Patent [19]
Marostica

[11] **Patent Number: Des. 339,947**
[45] **Date of Patent: ** Oct. 5, 1993**

[54] **WALL STORAGE PANEL FOR ENTERTAINMENT MEDIA**

4,940,147 7/1990 Hunt 211/71 X
5,040,687 8/1991 Whittington 312/91.1 X
5,072,836 12/1991 Gross D6/571 X

[76] **Inventor: Eugene J. Marostica, 1703-200 Bay Street, Ottawa, Ontario, Canada, K1P 6K9**

Primary Examiner—Brian N. Vinson
Attorney, Agent, or Firm—Ostrager, Chong & Flaherty

[**] **Term: 14 Years**

[57] **CLAIM**

[21] **Appl. No.: 801,724**

The ornamental design for a wall storage panel for entertainment media, as shown and described.

[22] **Filed: Dec. 2, 1991**

DESCRIPTION

[52] **U.S. Cl. D6/571**

[58] **Field of Search D6/512, 553, 567-569, D6/571, 407; D3/35; 206/44.12, 387, 444; 40/1; 211/13, 40, 71, 80-87, 89; 312/9.1, 9.9**

FIG. 1 is a top, front, and right side perspective view of a wall storage panel for entertainment media showing my new design, the left side being a mirror image of that shown;

[56] **References Cited**

U.S. PATENT DOCUMENTS

- D. 322,725 12/1991 Strickland, III D6/407
- D. 324,767 3/1992 Ozcki D3/35
- 3,773,183 11/1973 Johnson 211/71
- 4,403,697 9/1983 Forshee 211/13
- 4,919,287 4/1990 Haskett et al. 211/71 X

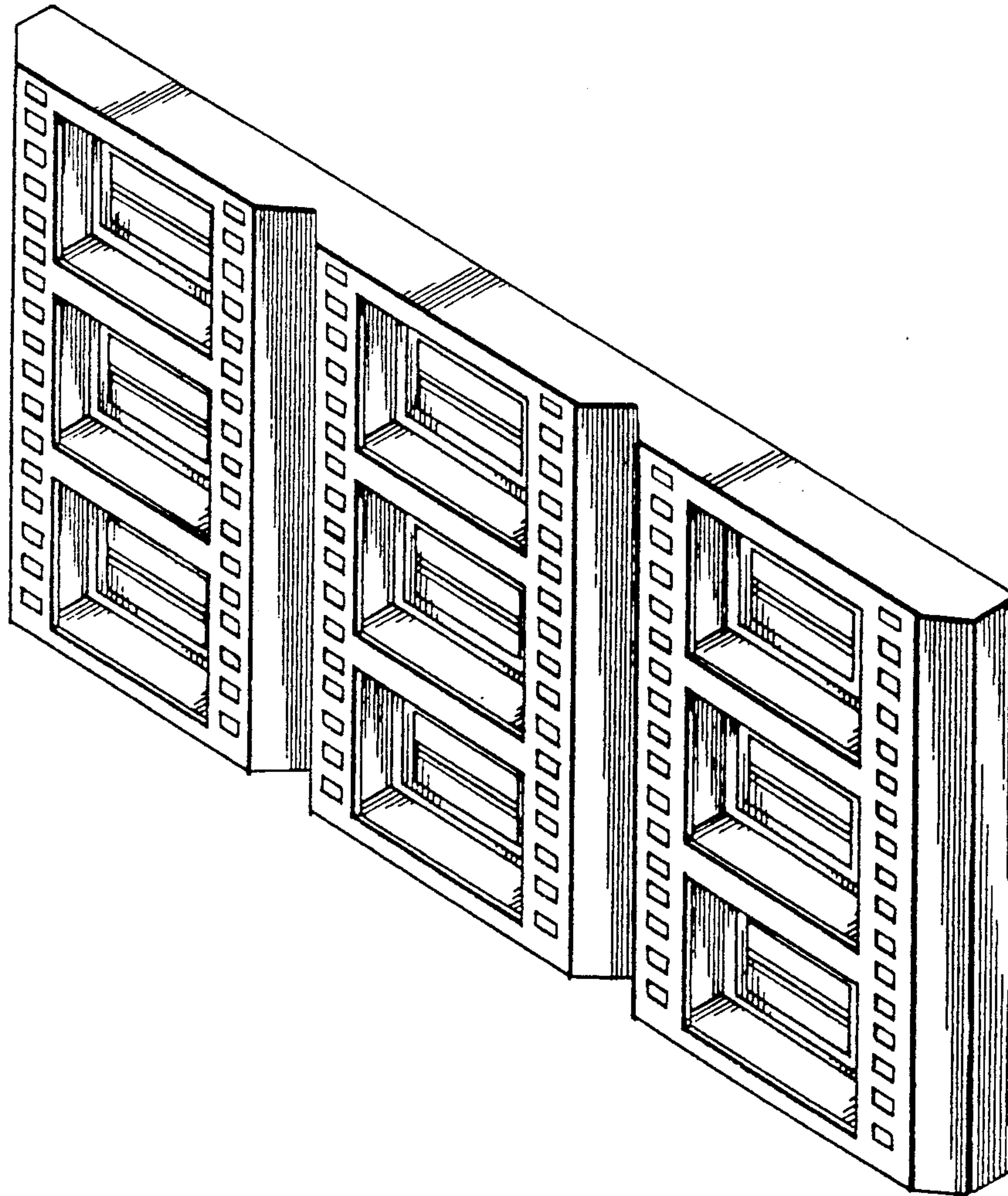
FIG. 2 is a front elevational view thereof;

FIG. 3 is a rear elevational view thereof;

FIG. 4 is a top plan view thereof;

FIG. 5 is a bottom plan view thereof; and,

FIG. 6 is a front elevational view of a second embodiment thereof, the only difference from the first embodiment residing in the configuration of elements on the front elevation and in the vertical dimension.



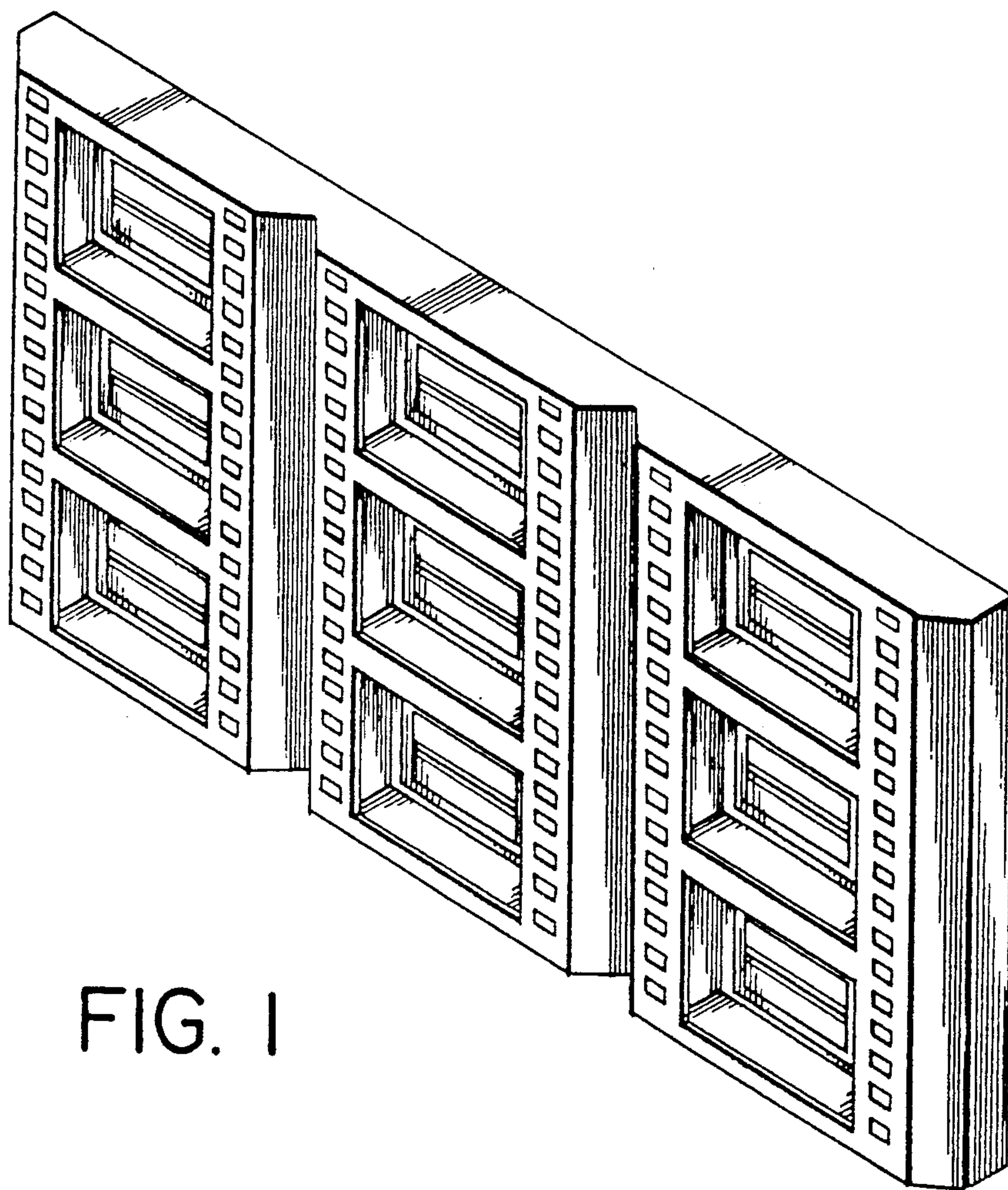


FIG. 1

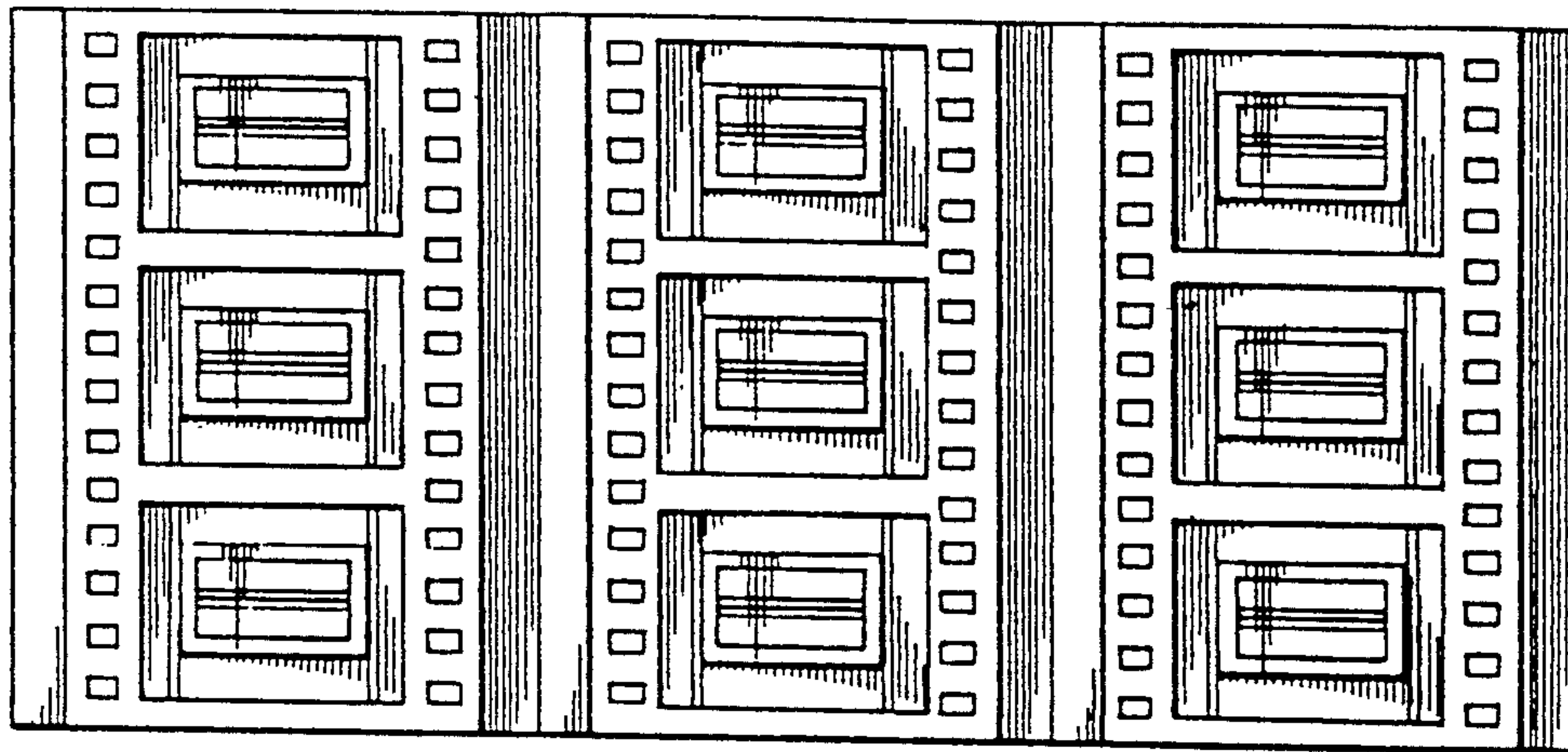


FIG. 2

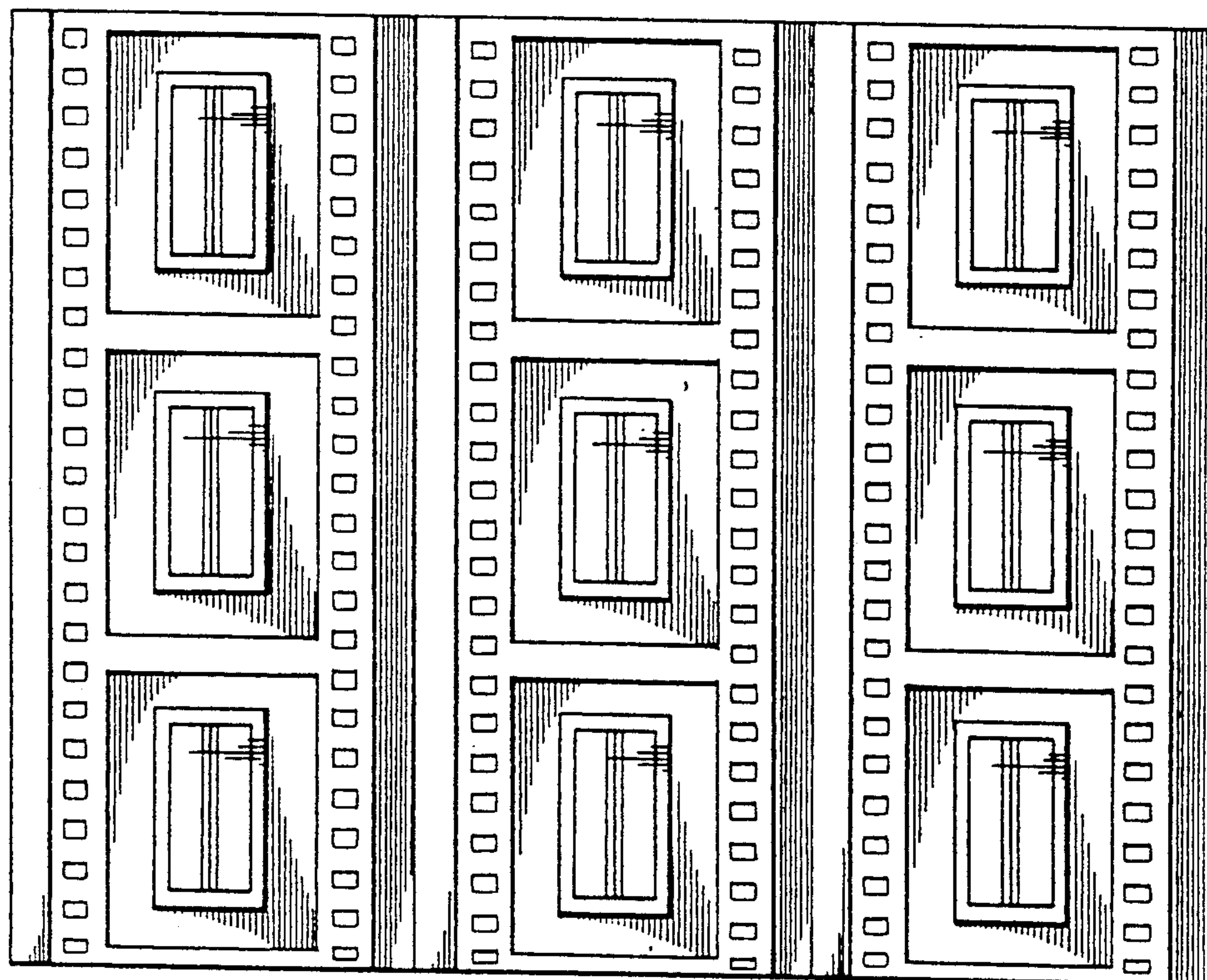


FIG. 6

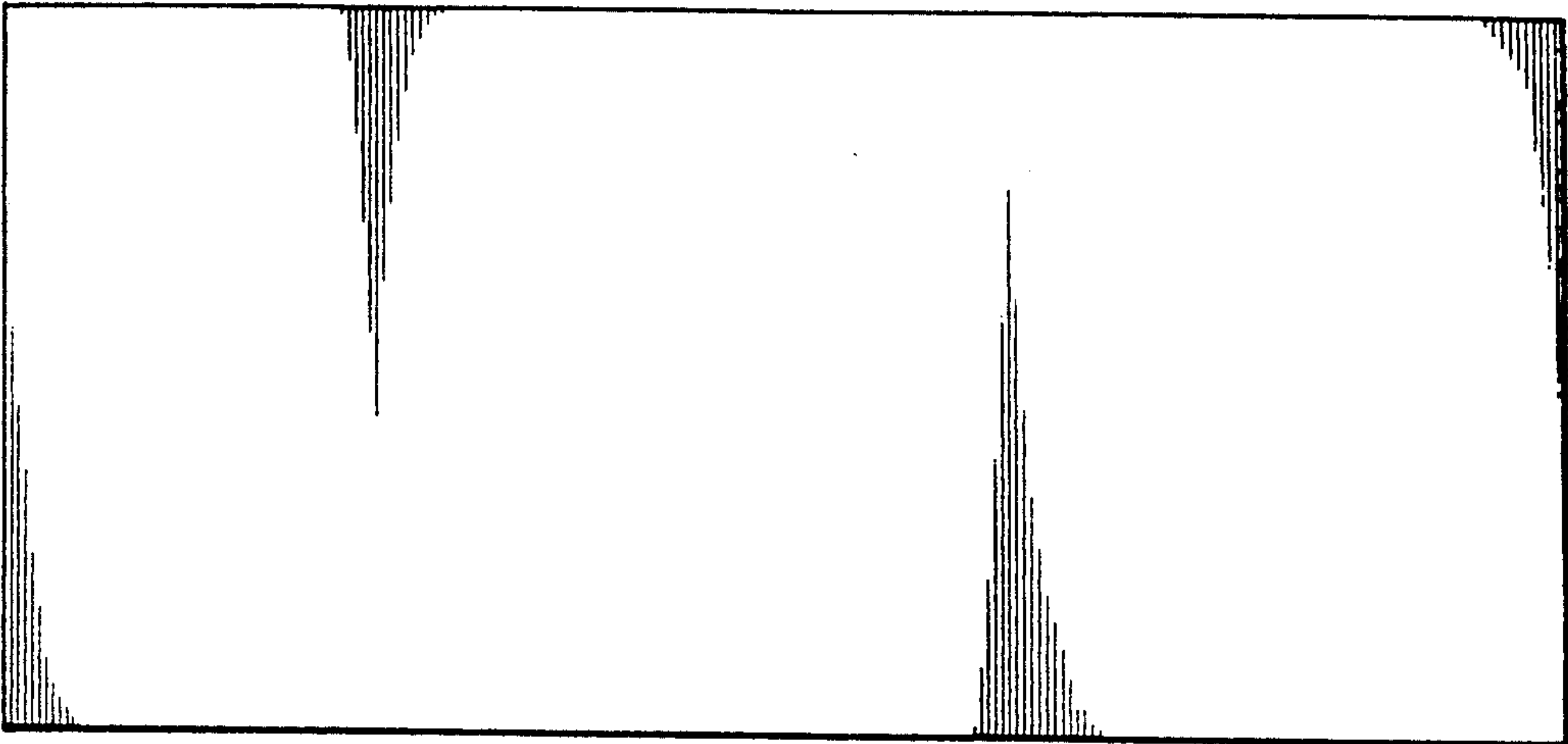


FIG. 3



FIG. 4



FIG. 5