



US00D339945S

United States Patent [19]

[11] Patent Number: **Des. 339,945**

Moser

[45] Date of Patent: **** Oct. 5, 1993**

[54] **PLATE RACK**

[76] Inventor: **Julie D. Moser, 5025-B Swenson Rd., Deer Park, Wash. 99006**

[**] Term: **14 Years**

[21] Appl. No.: **6,498**

[22] Filed: **Mar. 31, 1993**

D. 317,993	7/1991	Grey	D6/553
D. 319,361	8/1991	Moser	D6/468
3,288,304	11/1966	Graves	211/64

OTHER PUBLICATIONS

"Popular Science" (Jun. 1980)—Plant Stand.

Primary Examiner—Brian N. Vinson
Attorney, Agent, or Firm—Wells, St. John, Roberts, Gregory & Matkin

Related U.S. Application Data

[62] Division of Ser. No. 723,510, Jun. 28, 1991.
 [52] U.S. Cl. **D6/570**
 [58] Field of Search D6/553, 567, 569, 570,
 D6/466, 467, 468, 552; 211/41, 60.1, 64, 70.5,
 70.6, 70.8; D21/223

[57] CLAIM

The ornamental design for a plate rack, as shown and described.

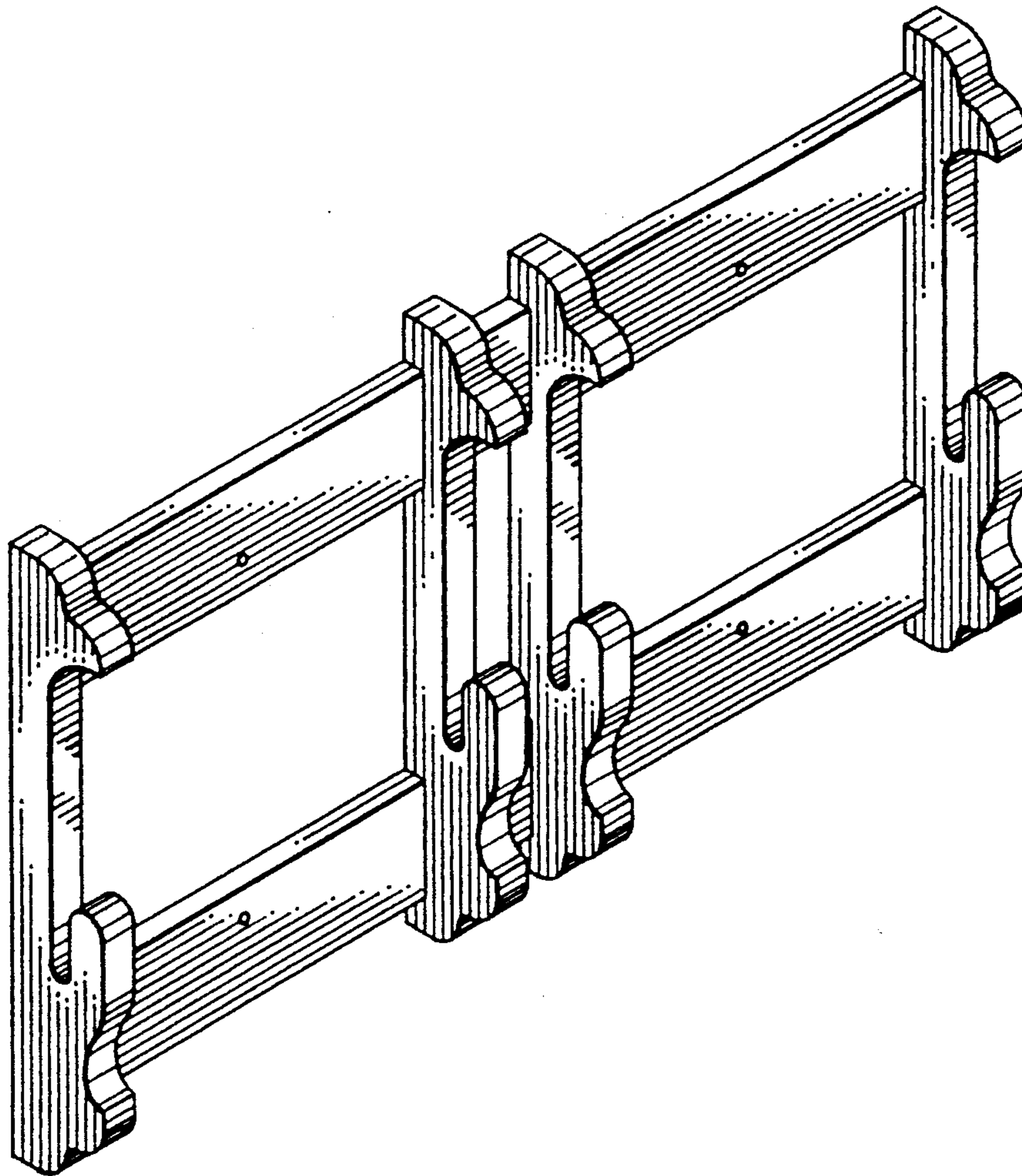
DESCRIPTION

FIG. 1 is a perspective right frontal side view of a plate rack showing my new design, the left side being a mirror image thereof;
 FIG. 2 is a top plan view thereof; and,
 FIG. 3 is a bottom plan view thereof.
 Wherein the back side thereof is unornamental and forms no part of the claimed design.

[56] References Cited

U.S. PATENT DOCUMENTS

D. 164,503	9/1951	Kerr	D21/223
D. 224,487	8/1972	Robertson	D6/570
D. 241,107	8/1976	Ferrara, Jr.	D6/553 X



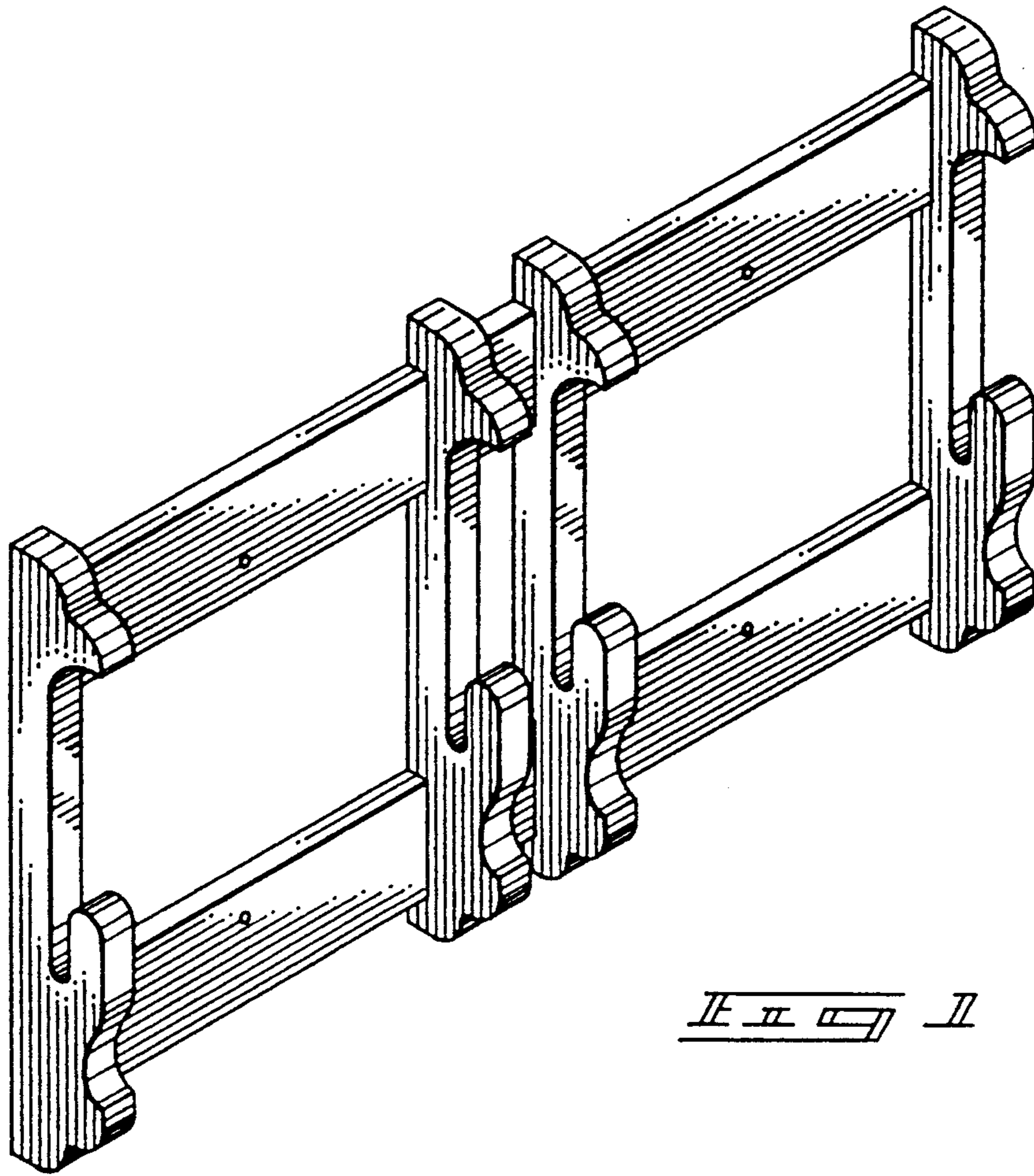


Fig. 1

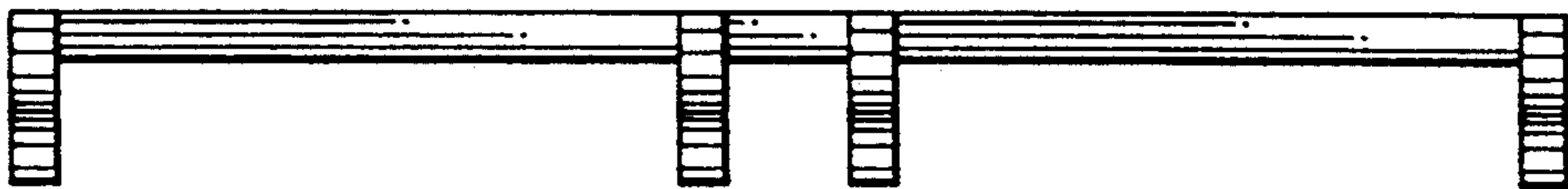


Fig. 2



Fig. 3