



US00D339943S

United States Patent [19]

Romme et al.

[11] Patent Number: **Des. 339,943**

[45] Date of Patent: **** Oct. 5, 1993**

[54] **LENS TISSUE DISPENSING UNIT**

[75] Inventors: **Steve J. Romme, Woodstock; L. Wesley Smith, Roswell, both of Ga.**

[73] Assignee: **Kimberly-Clark Corporation, Neenah, Wis.**

[*] Notice: The portion of the term of this patent subsequent to Apr. 6, 2007 has been disclaimed.

[**] Term: **14 Years**

[21] Appl. No.: **627,427**

[22] Filed: **Dec. 14, 1990**

[52] U.S. Cl. **D6/515**

[58] Field of Search **D6/515, 517-518, D6/522-523; 221/22, 33-34, 45, 92, 155, 197, 282-283, 287; 312/37; D9/414, 418, 432-433**

[56] **References Cited**

U.S. PATENT DOCUMENTS

D. 30,089	1/1899	Zuck	D9/418
D. 167,247	7/1952	Barnett et al.	D4/3
D. 170,673	10/1953	Ziskin et al.	D4/3
D. 275,837	10/1984	Poelvoorde	D9/418
D. 277,169	1/1985	Ito et al.	D9/418
D. 289,140	4/1987	Fischer et al.	D8/373
D. 309,262	7/1990	Coiner	D9/418
1,198,428	9/1916	Elsas	.	
1,523,685	1/1925	Cohn	.	
1,692,463	11/1928	Merrin	.	
1,975,557	10/1934	Shaffer	312/61
2,069,264	2/1937	Morris	312/61
2,411,310	11/1946	Wilkins	206/47
2,775,365	12/1956	Mestman et al.	221/44
2,789,725	4/1957	Carper	221/56
2,985,289	5/1961	Uren	206/47
3,110,467	11/1963	Dube	248/311
3,235,196	2/1966	Platt	242/55.53
3,259,139	7/1966	Bell et al.	134/47
3,307,687	3/1967	Steinman	206/47
3,459,329	8/1969	Mochizuki et al.	221/34

4,469,243	9/1984	Ito et al.	221/34
4,478,354	10/1984	Notheis	221/34
4,524,871	6/1985	Klinger	206/233
4,739,809	4/1988	Adams	150/112

OTHER PUBLICATIONS

- Bausch and Lomb Sight Savers® Dispenser (undated).
- Fort Howard—Dispensers/Tools (undated).
- VWR Scientific—Paper Nos. 928 and 929 (undated).
- Eastco—Disposable Eyeglass Cleaning Station Ad (undated).
- Eastco—Lensclean Inc. Ad (undated).
- Magic Product Catalog (undated).
- Shield Lenscare Products Inc. Catalog (undated).
- Albro—"How to Promote Eye Safety With a Lens Cleaning Program" pp. 583-594 (undated).
- Curtin Matheson Scientific, Inc.—Paper—Section II—pp. 277-278 (undated).
- Curtin Matheson Scientific, Inc.—Section II—p. 47 (undated).
- VWR Scientific Inc.—Section 56 (undated).

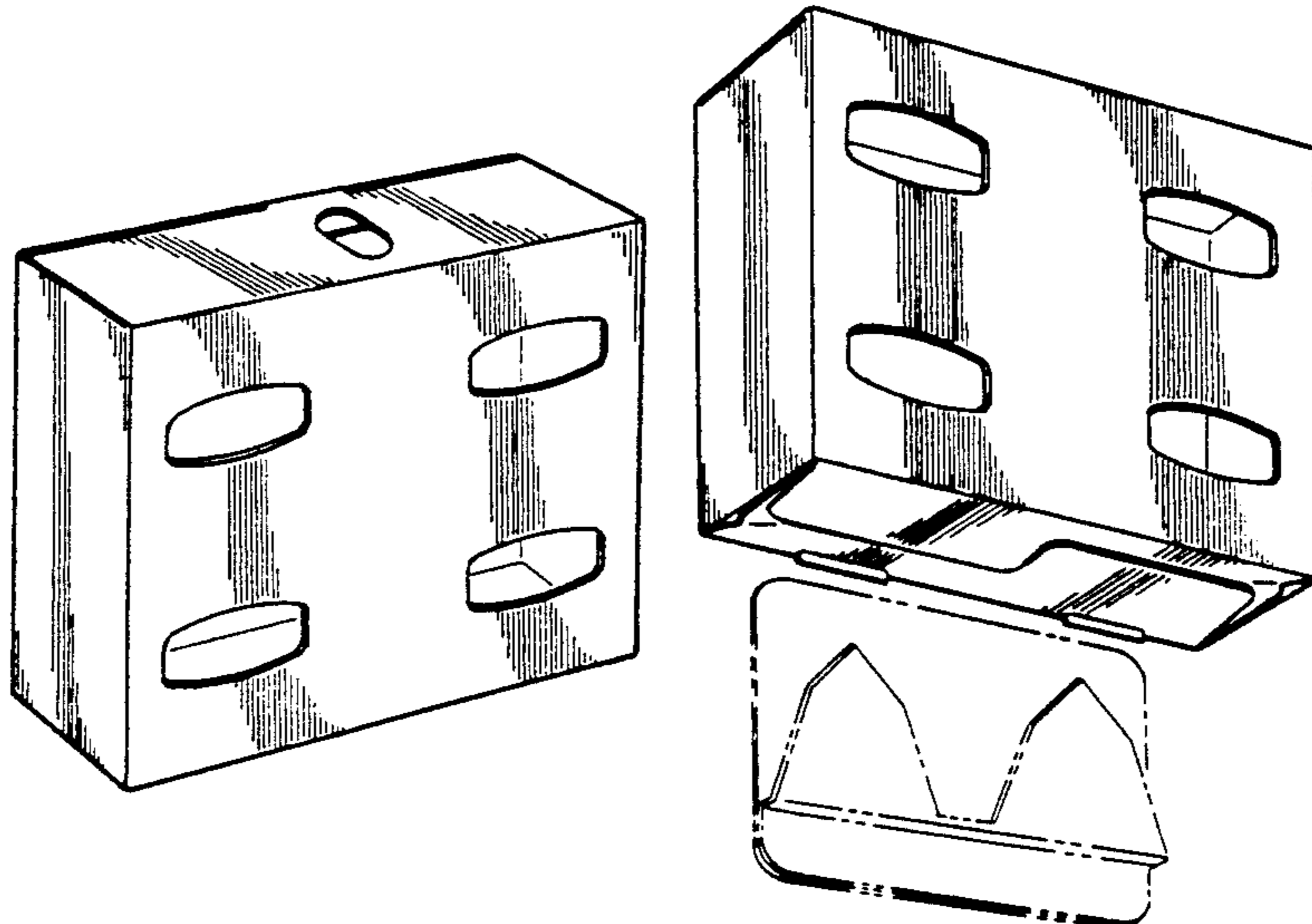
Primary Examiner—Brian N. Vinson
Attorney, Agent, or Firm—William D. Herrick

[57] **CLAIM**

The ornamental design for a lens tissue dispensing unit, as shown and described.

DESCRIPTION

FIG. 1 is a front view of the lens tissue dispensing unit showing our new design;
 FIG. 2 is a top view thereof;
 FIGS. 3 and 4 are opposing left and right side views thereof;
 FIG. 5 is a bottom view thereof;
 FIG. 6 is a back view thereof;
 FIG. 7 is a top, front, and left side perspective view thereof; and,
 FIG. 8 is a bottom, front, and left side perspective view thereof, with the broken line disclosure of a mounting means being shown for illustrative purposes only and forming no part of the claimed design.



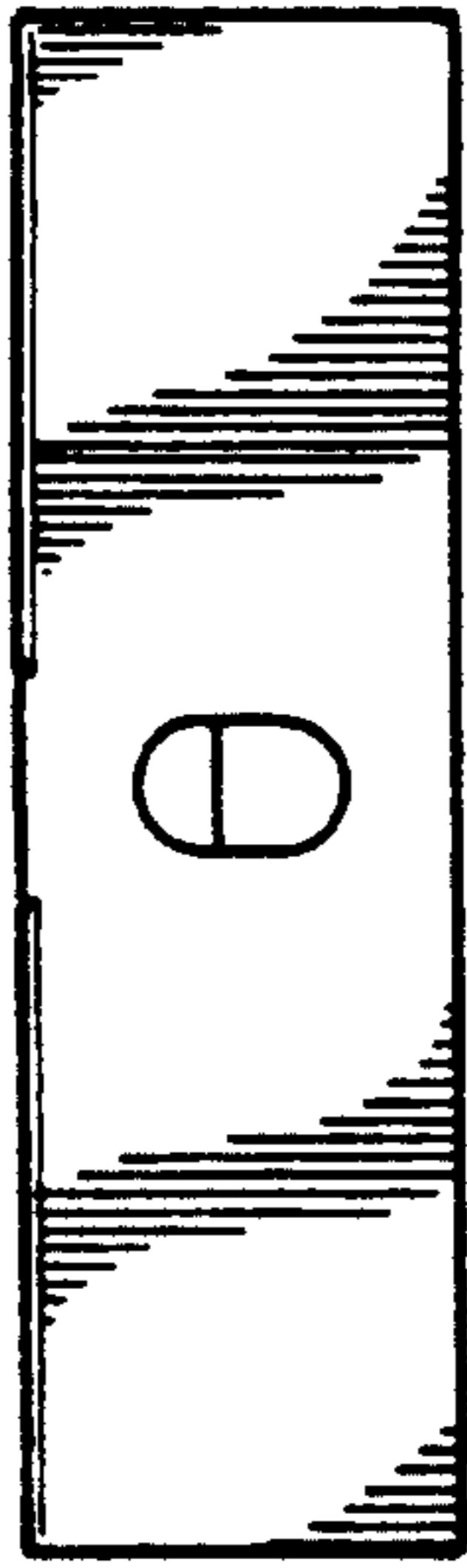


FIG. 2

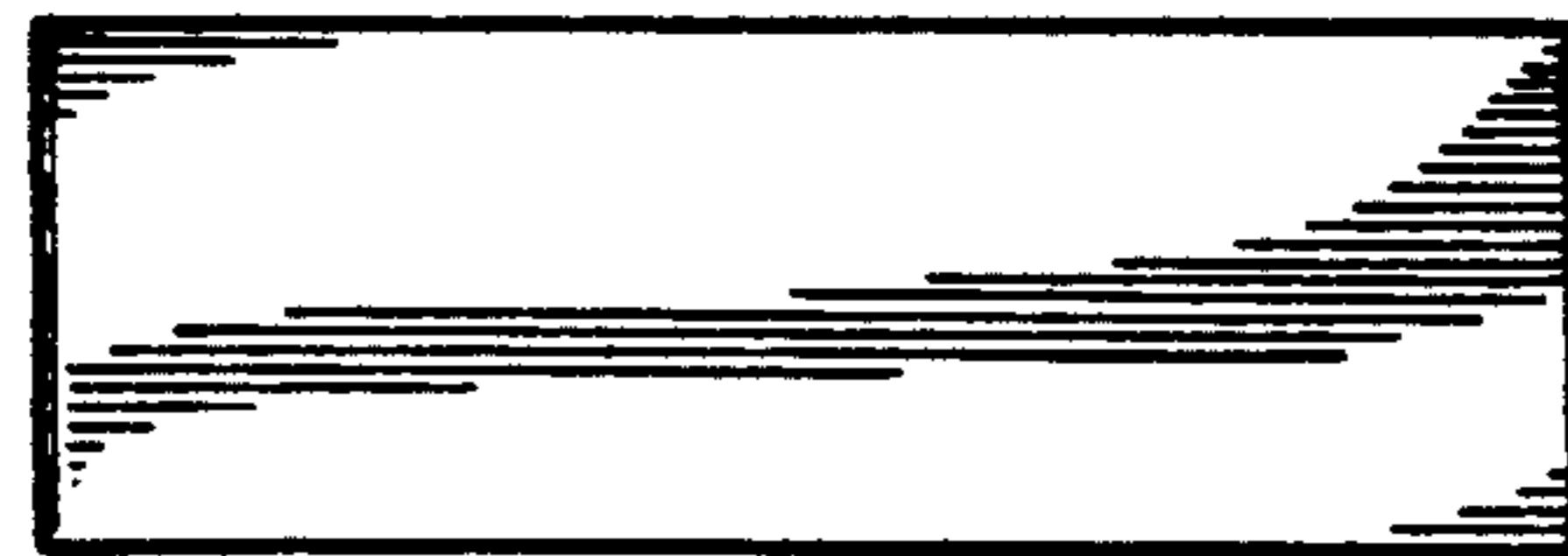


FIG. 4

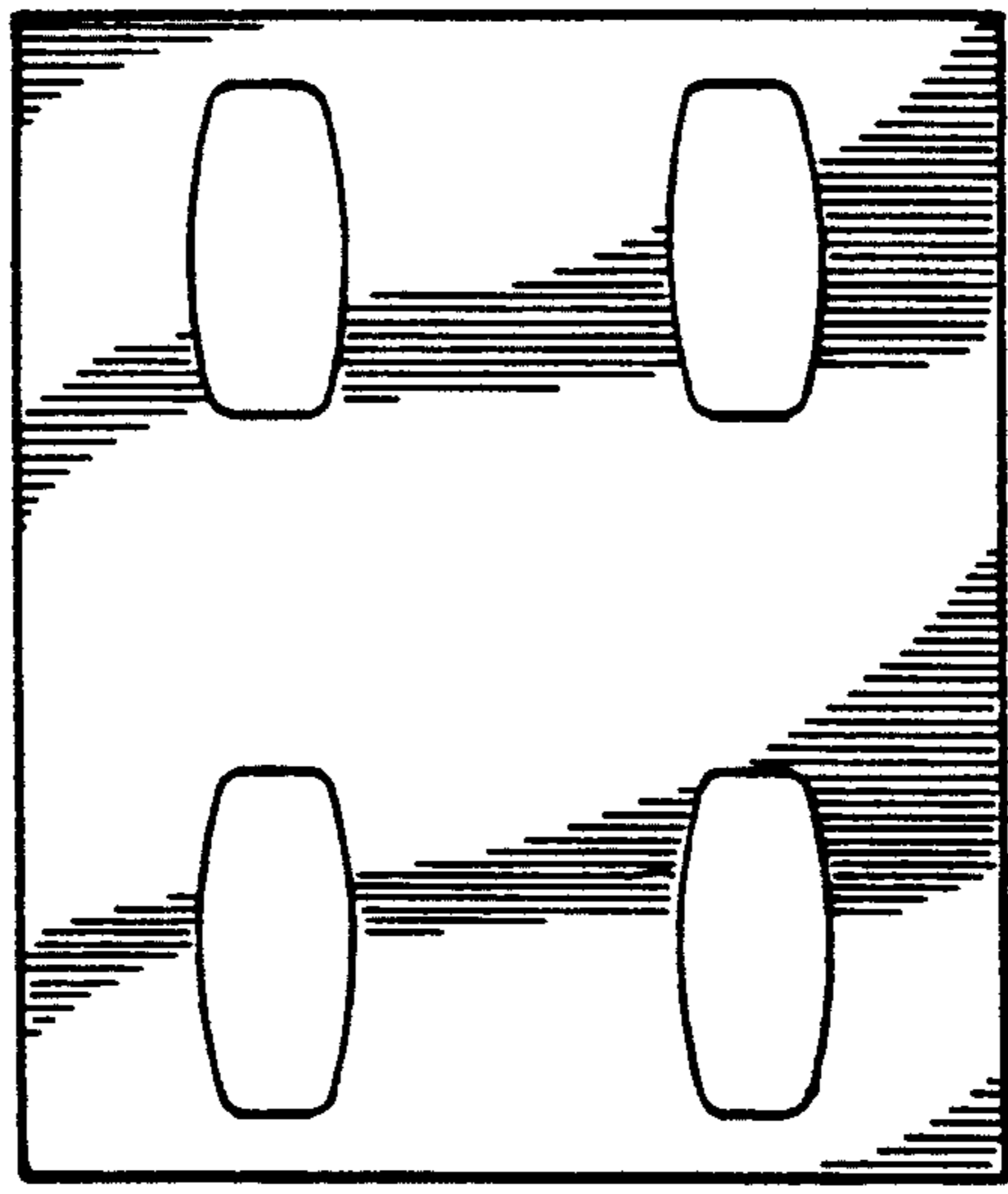


FIG. 1

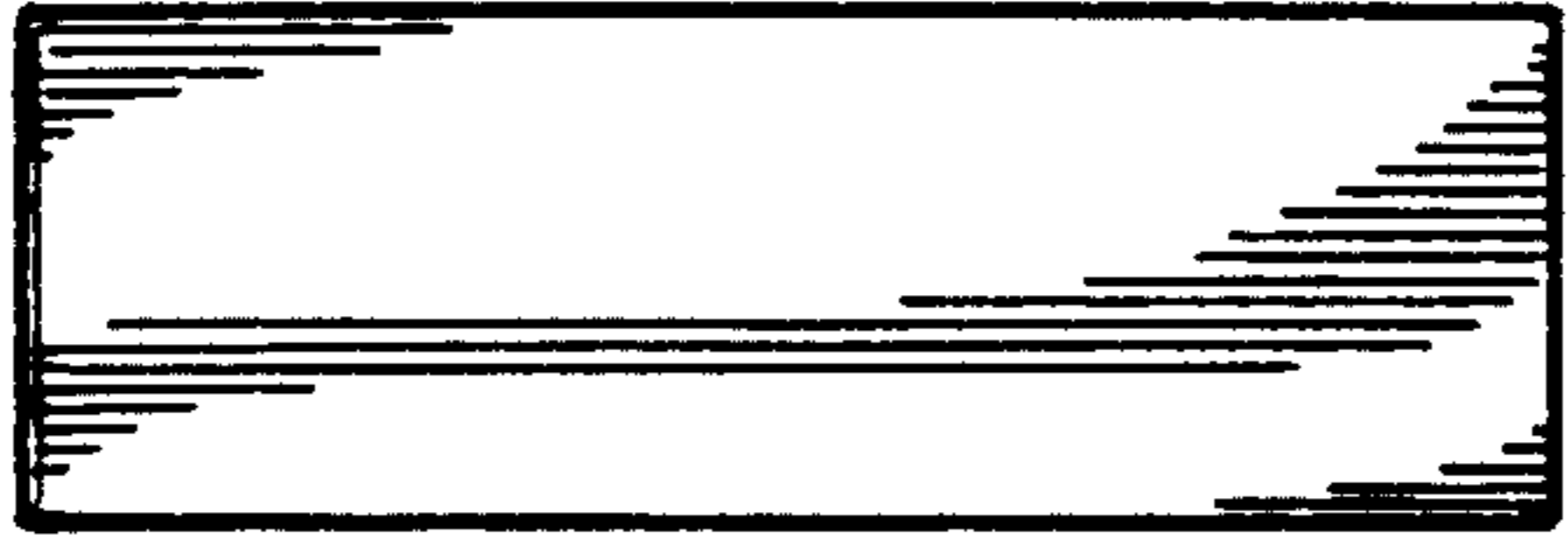


FIG. 3

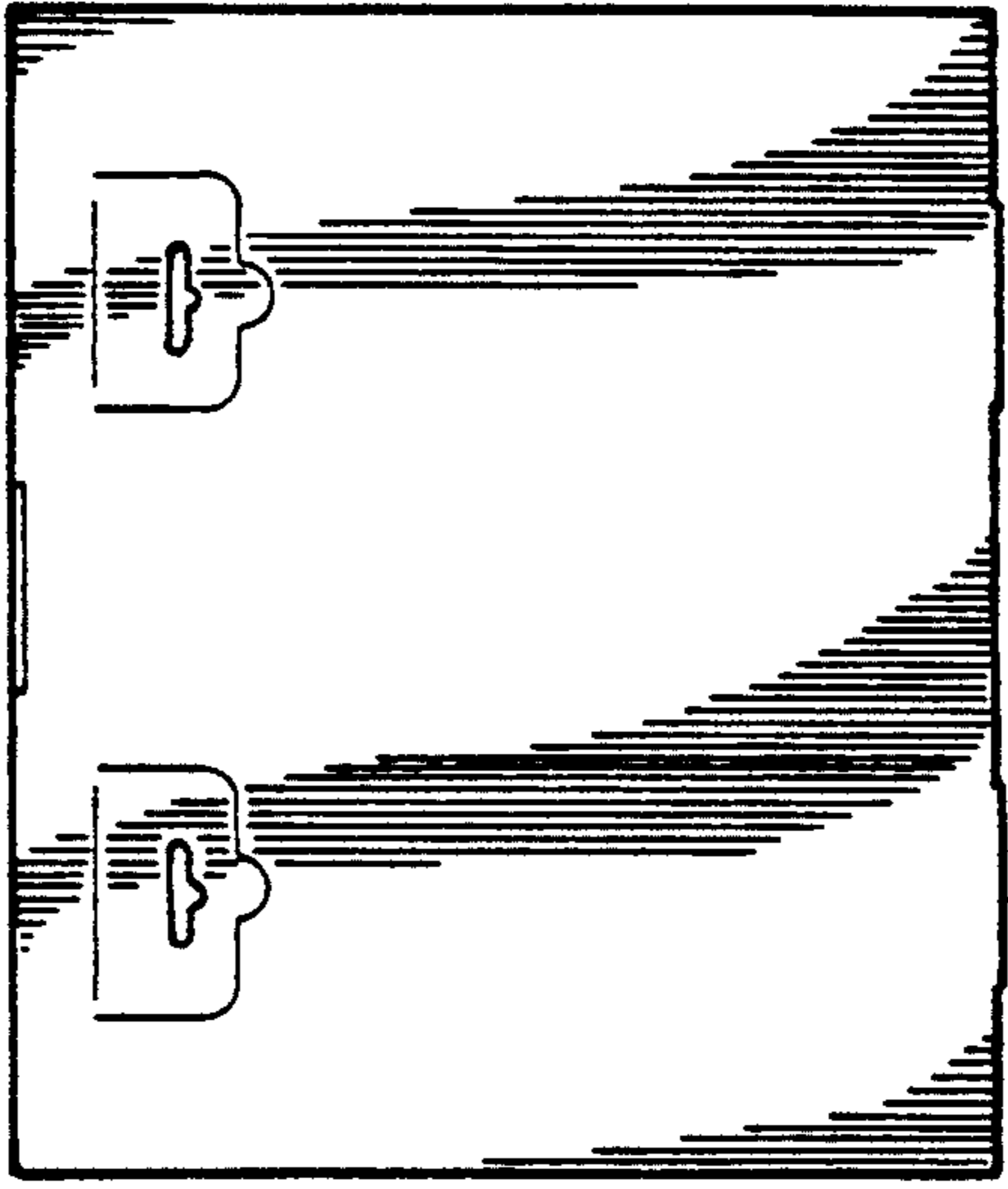


FIG. 6

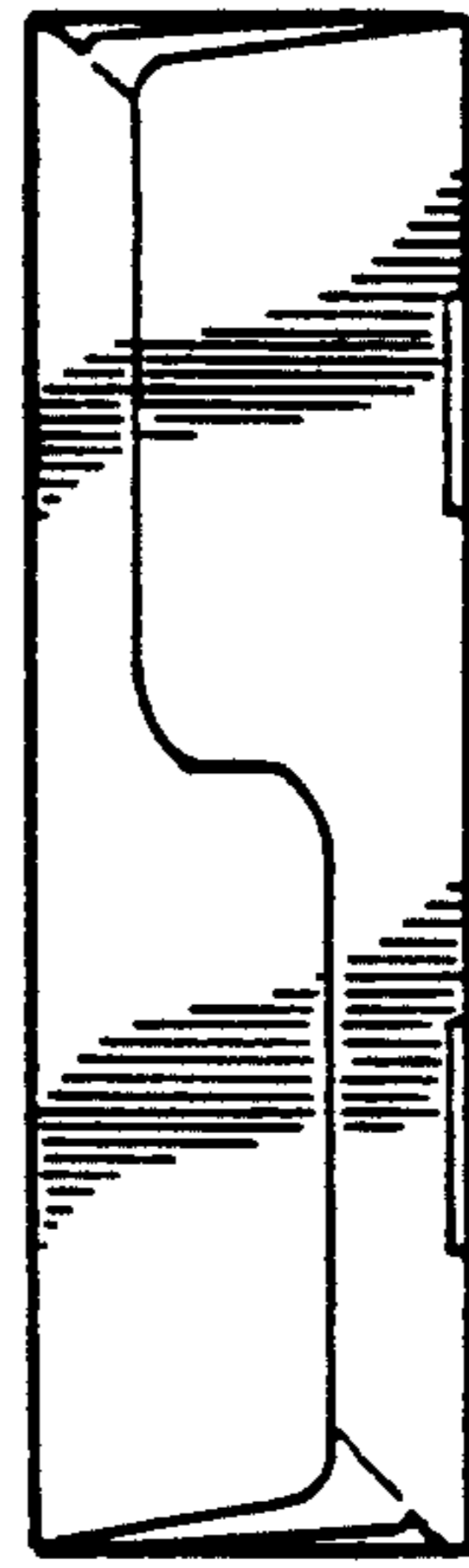


FIG. 5

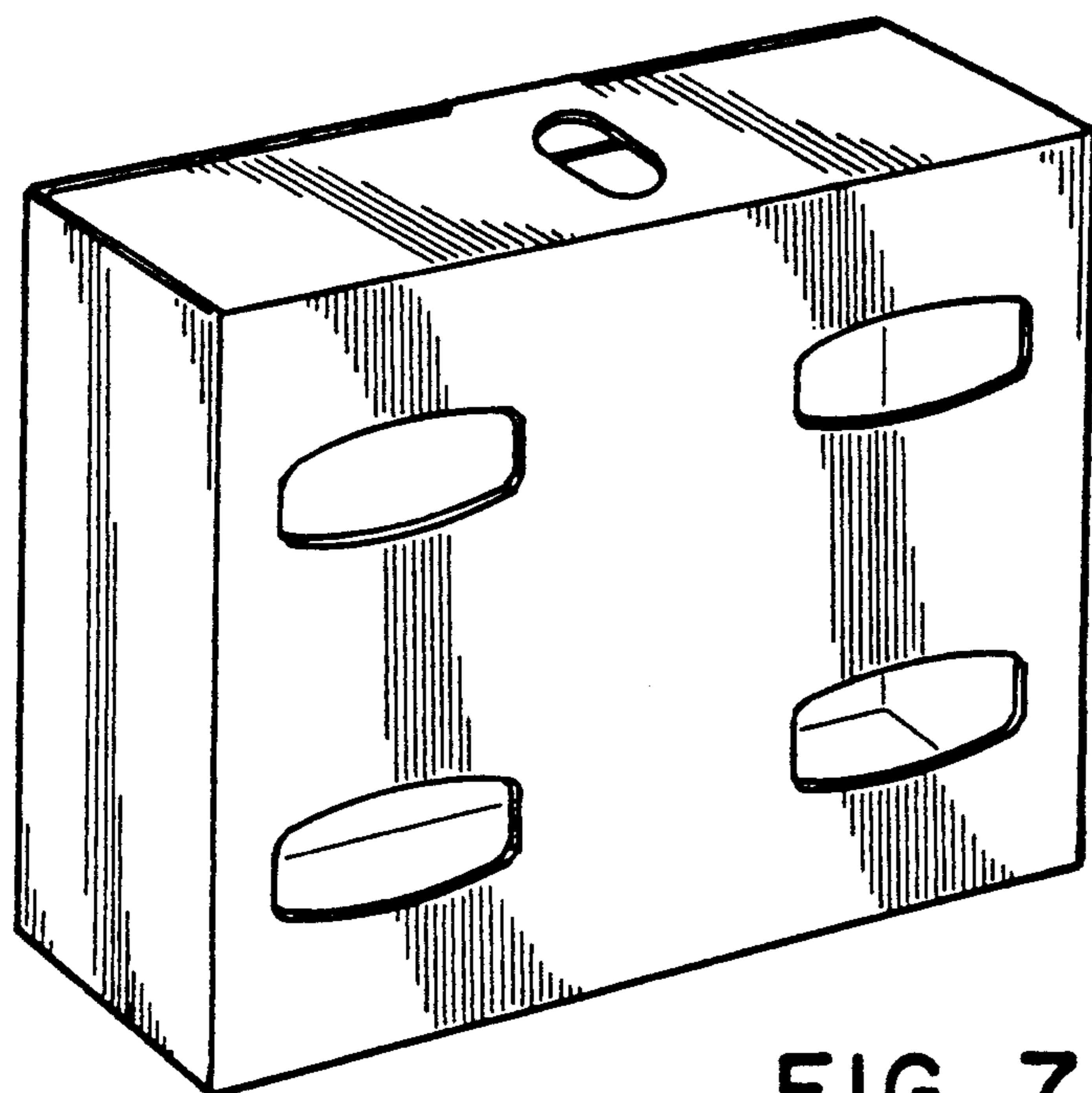


FIG. 7

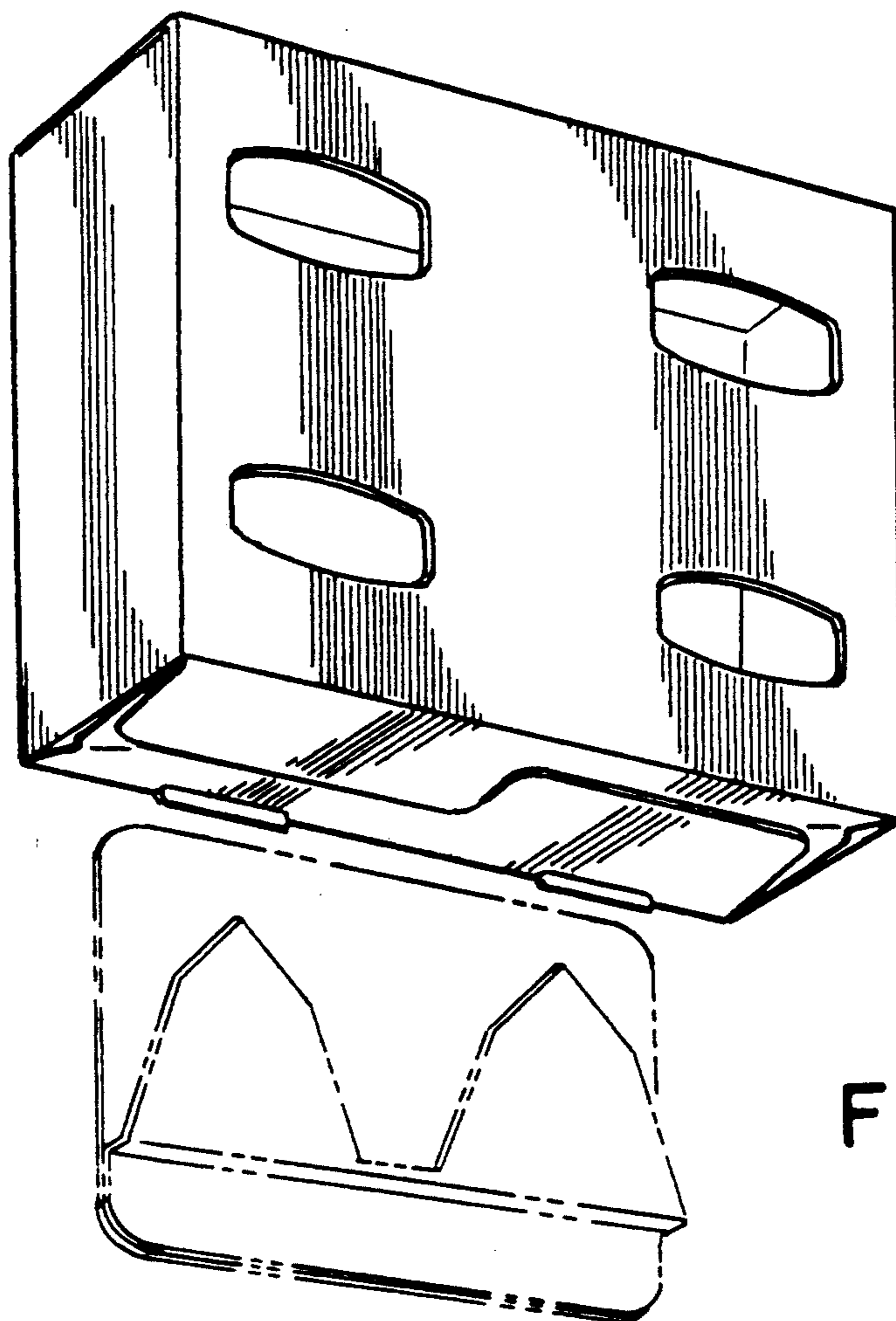


FIG. 8