



US00D339942S

# United States Patent [19]

[11] Patent Number: **Des. 339,942**

**Emalfarb et al.**

[45] Date of Patent: **\*\* Oct. 5, 1993**

[54] **RAILING PLANTER BOX HOLDER**

4,011,951	3/1977	Boyer	.....	211/71
4,418,883	12/1983	Cohen	.....	248/312.1
5,118,059	6/1992	Mainer	.....	47/67 X
5,181,621	1/1993	Plaehn	.....	248/311.2

[76] Inventors: **Seymour Emalfarb**, 1585 Saunders Rd., River Woods, Ill. 60015;  
**Bradley S. Emalfarb**, 26529 N. Highway 83, Mundelein, Ill. 60060

*Primary Examiner*—Brian N. Vinson  
*Attorney, Agent, or Firm*—Wood, Phillips, VanSanten, Hoffman & Ertel

[\*\*] Term: **14 Years**

[21] Appl. No.: **742,936**

[57] **CLAIM**

[22] Filed: **Aug. 9, 1991**

The ornamental design of a railing planter box holder, as shown and described.

[52] U.S. Cl. .... **D6/513**

[58] Field of Search ..... D6/513, 566, 556;  
D8/349, 354, 373, 380; 211/13, 71, 74-75,  
86-87, 89, 113, 119, 181; 248/309.1, 311.2, 312,  
312.1, 317-318; 471/66-67

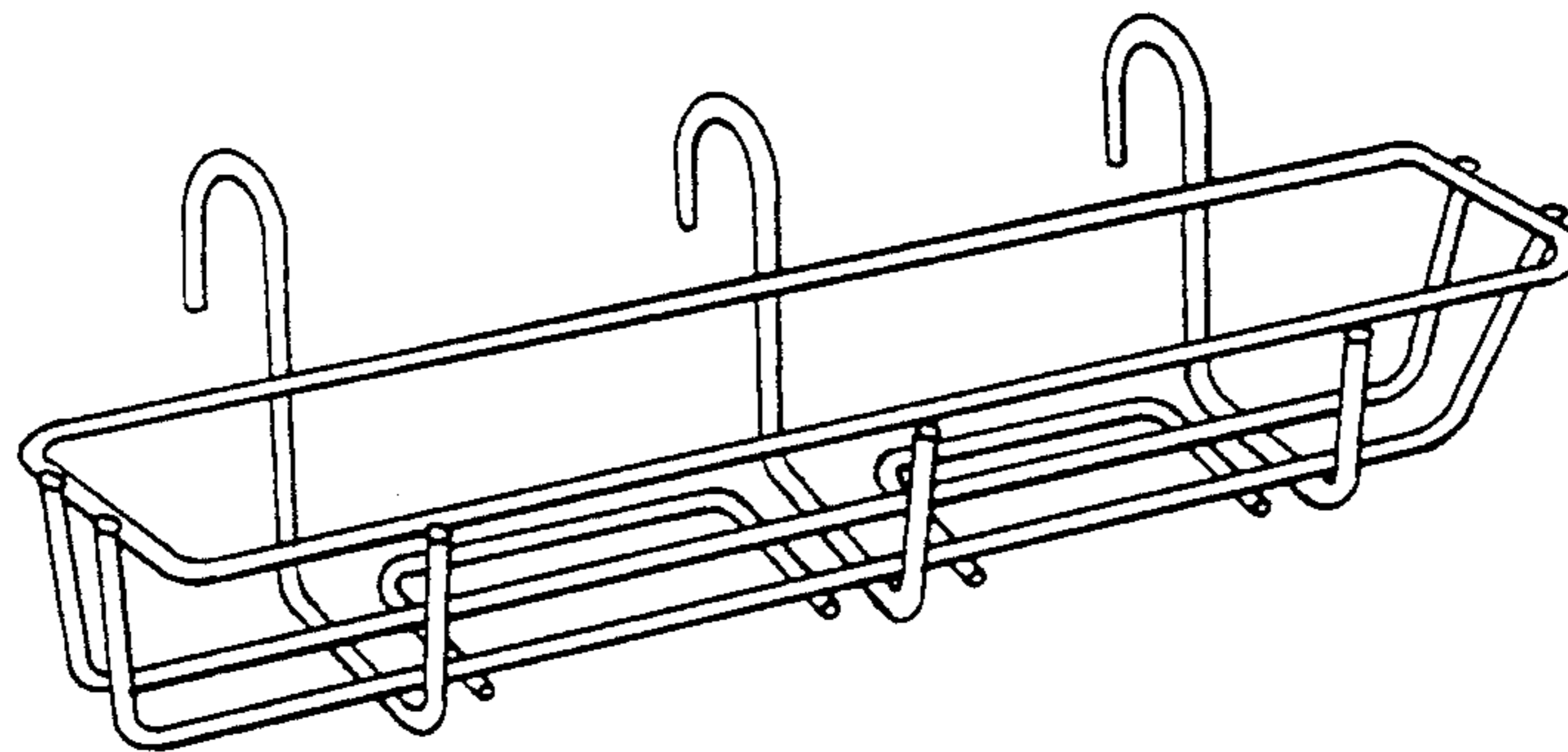
**DESCRIPTION**

[56] **References Cited**

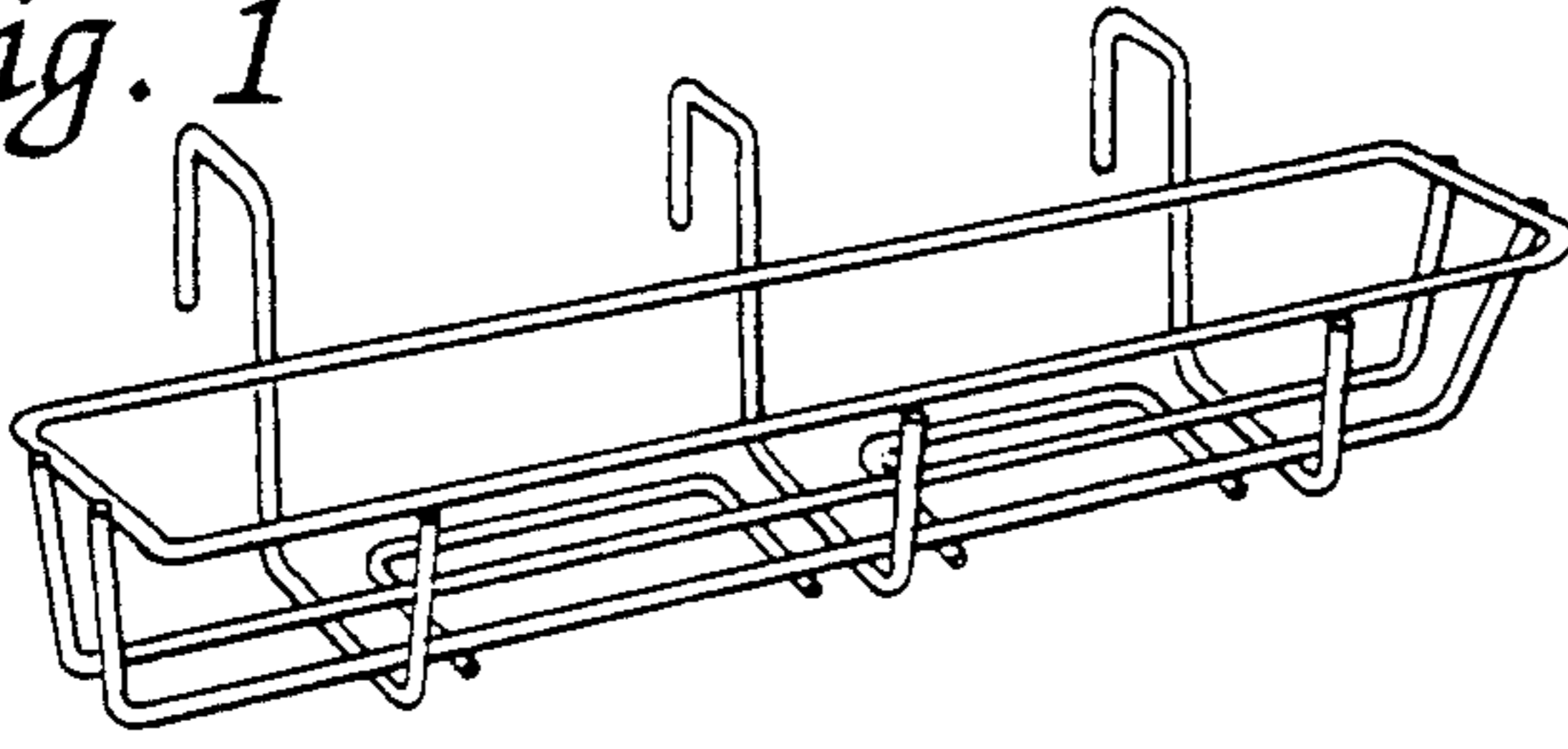
**U.S. PATENT DOCUMENTS**

D. 231,296	4/1974	Morris et al.	.....	D6/556
D. 259,967	7/1981	Ramsey	.....	D6/566
D. 266,382	10/1982	Hutchinson	.....	D6/556
D. 273,736	5/1984	Barry	.....	D6/556
2,897,976	8/1959	Miller	.....	D6/553 X

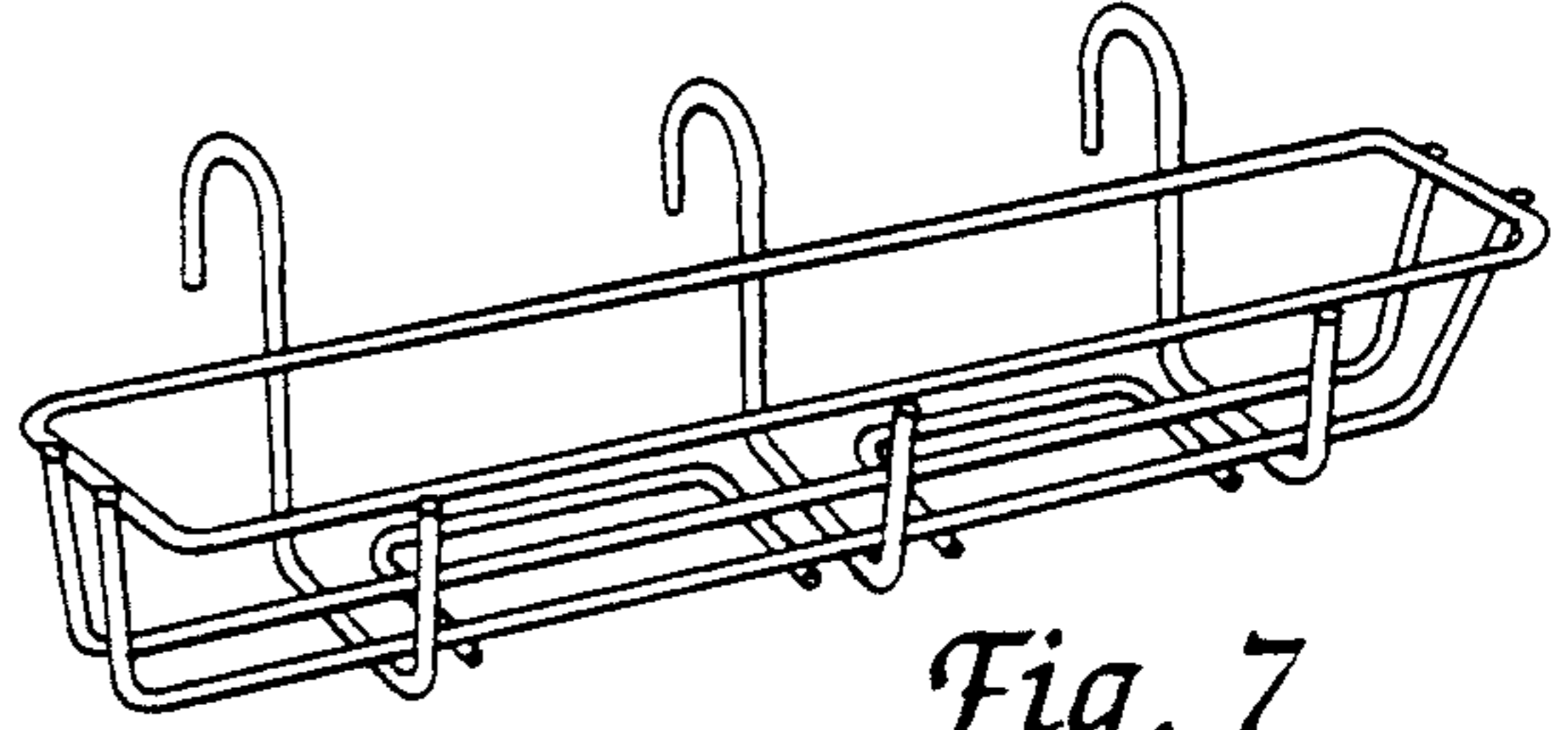
FIG. 1 is a perspective view of a railing planter box holder showing my new design;  
FIG. 2 is a right side elevation view thereof, the left side elevation view thereof being a mirror image;  
FIG. 3 is a top plan view thereof;  
FIG. 4 is a front elevation view thereof;  
FIG. 5 is a bottom plan view thereof;  
FIG. 6 is a rear elevation view thereof; and,  
FIG. 7 is a perspective view thereof showing an alternate embodiment.



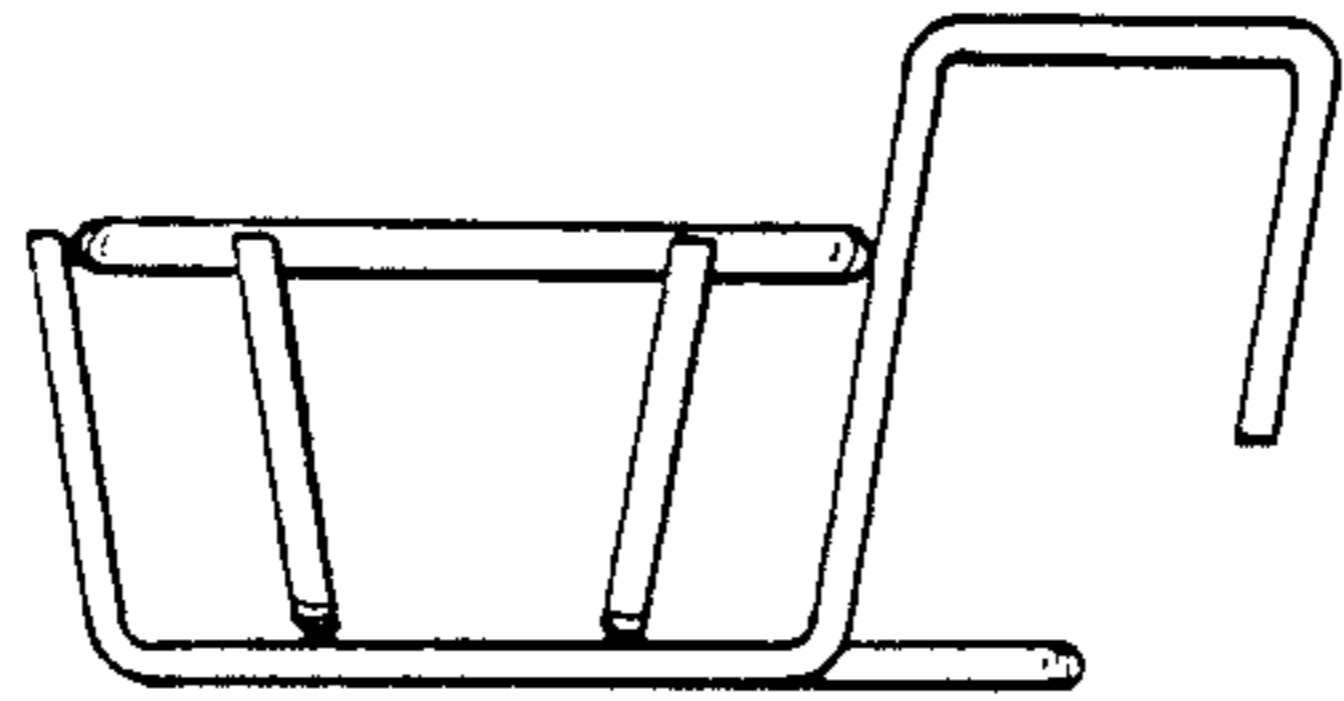
*Fig. 1*



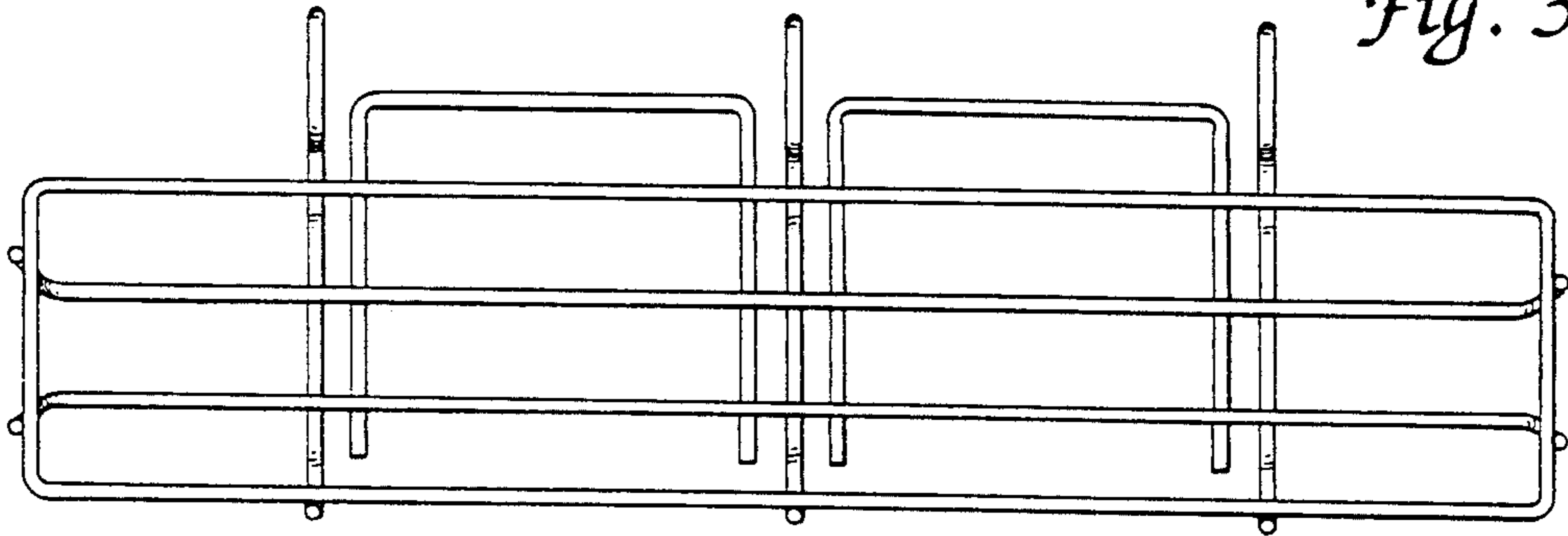
*Fig. 7*



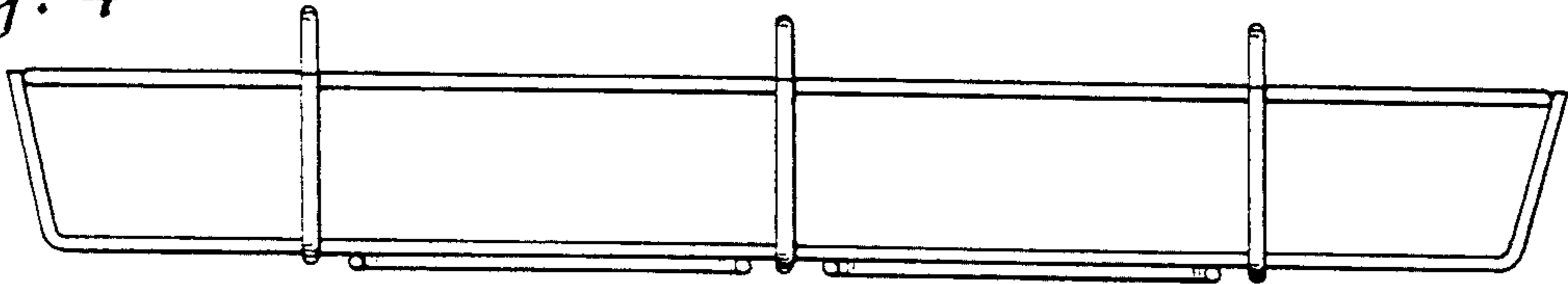
*Fig. 2*



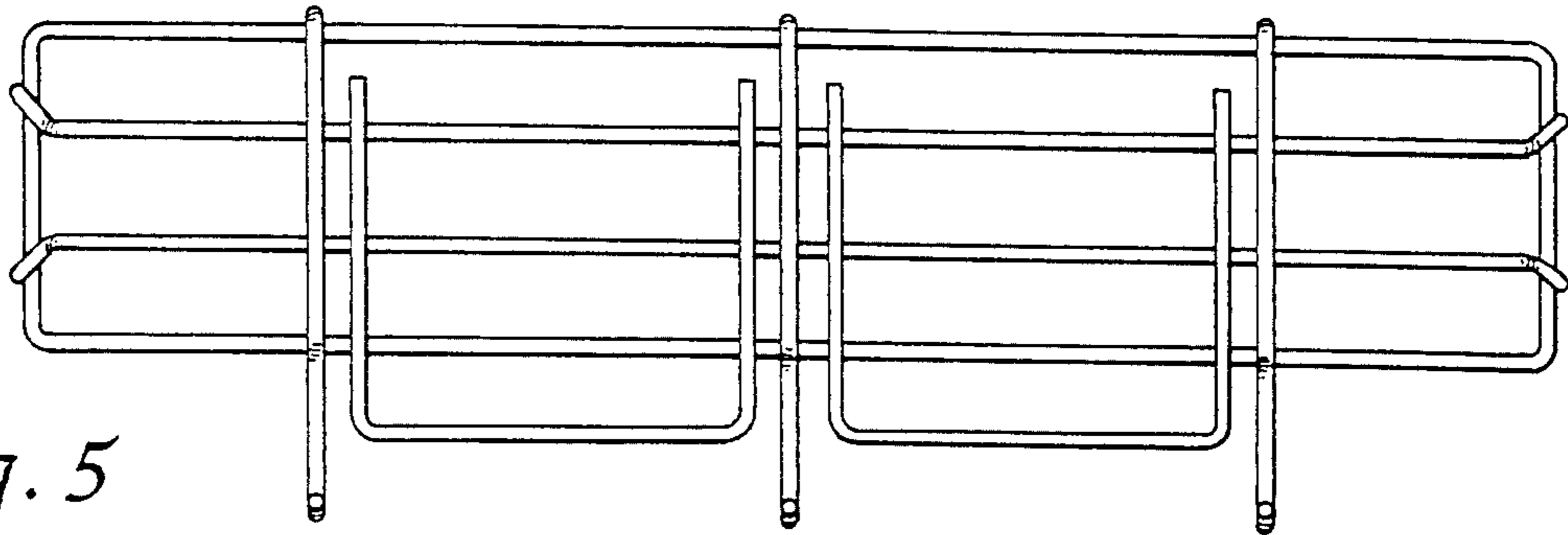
*Fig. 3*



*Fig. 4*



*Fig. 5*



*Fig. 6*

