



US00D339941S

United States Patent [19]

[11] Patent Number: **Des. 339,941**

Meehan

[45] Date of Patent: **** Oct. 5, 1993**

[54] **ADVERTISING SLEEVE**

[75] Inventor: **Kermit E. Meehan, Wayzata, Minn.**

[73] Assignee: **The Mike Meehan Company, Plymouth, Minn.**

[**] Term: **14 Years**

[21] Appl. No.: **688,889**

[22] Filed: **Apr. 22, 1991**

[52] U.S. Cl. **D6/509; D6/491; D6/495**

[58] Field of Search **D6/491-495, D6/509-511, 422, 449, 432, 479, 445-447; D9/414, 433, 183; 211/189**

[56] **References Cited**

U.S. PATENT DOCUMENTS

D. 207,226	3/1967	Fries	D6/446
D. 301,952	7/1989	Everett	D6/479
D. 319,849	9/1991	Stoddard et al.	D6/491 X
4,351,244	9/1982	Suttles	D6/479 X

Primary Examiner—Nelson C. Holtje
Assistant Examiner—J. E. Seeger
Attorney, Agent, or Firm—Haugen and Nikolai

[57] **CLAIM**

The ornamental design for the advertising sleeve, as shown and described.

DESCRIPTION

FIG. 1 is a perspective view of the front panel and one side panel of the advertising sleeve design;
 FIG. 2 is a perspective view of the rear panel and one side panel of the advertising sleeve design;
 FIG. 3 is a front plan view of the advertising sleeve design;
 FIG. 4 is a side elevational view of the advertising sleeve design, with the opposed side view being a mirror image of that illustrated in FIG. 4;
 FIG. 5 is a rear elevational view of the advertising sleeve design;
 FIG. 6 is a top plan view of the advertising sleeve design; and,
 FIG. 7 is a bottom plan view of the advertising sleeve design.

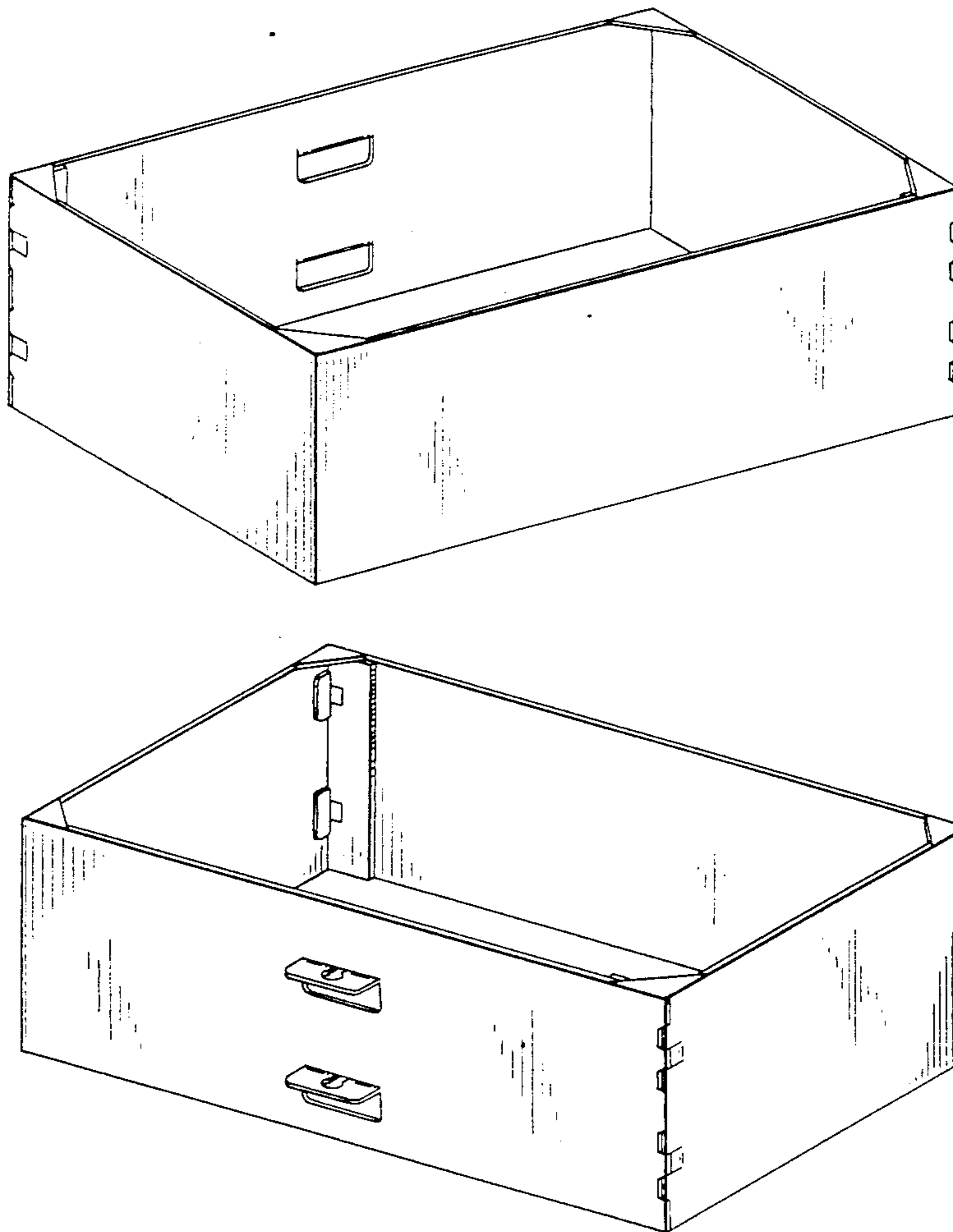


Fig.-1

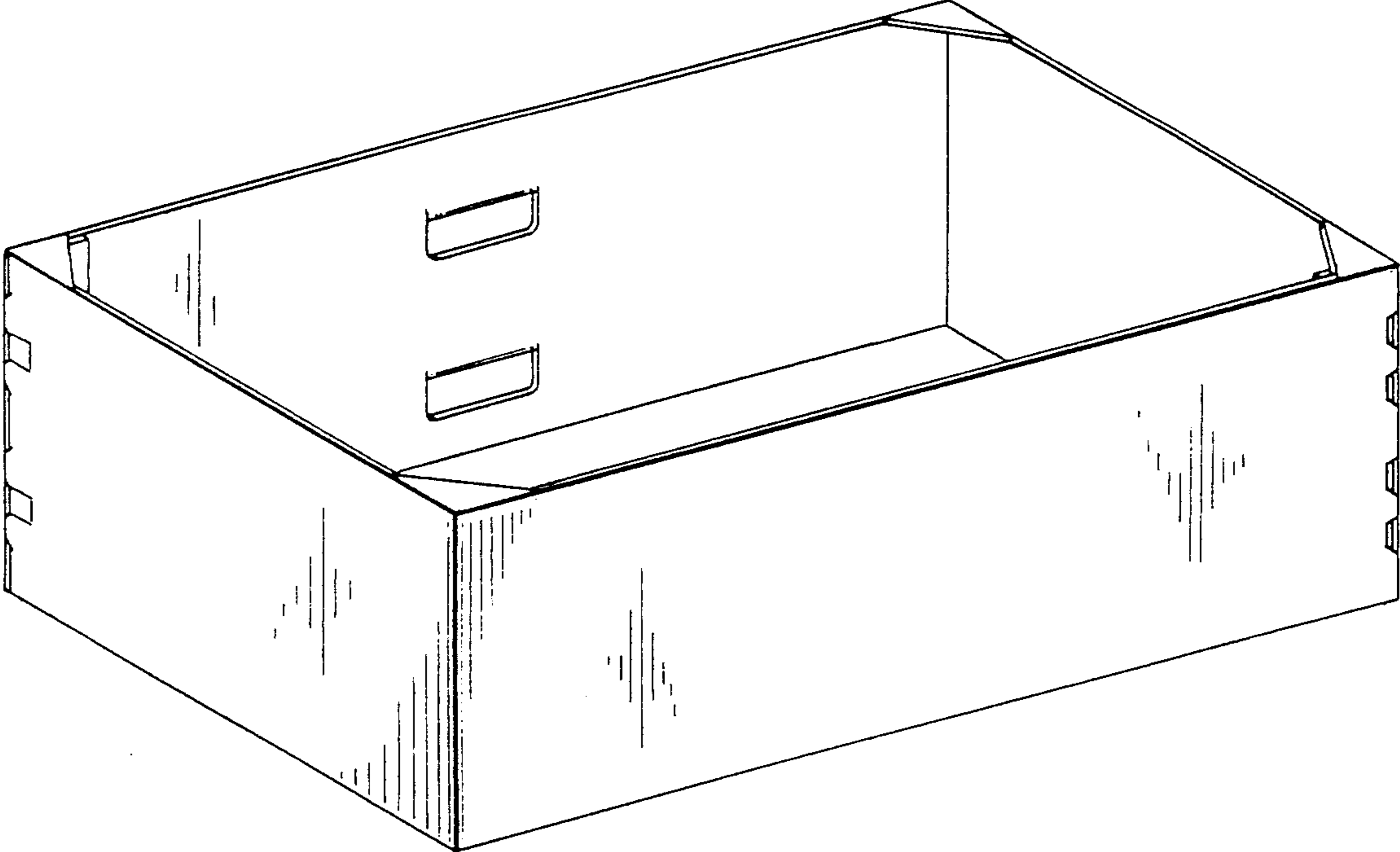


Fig.-2

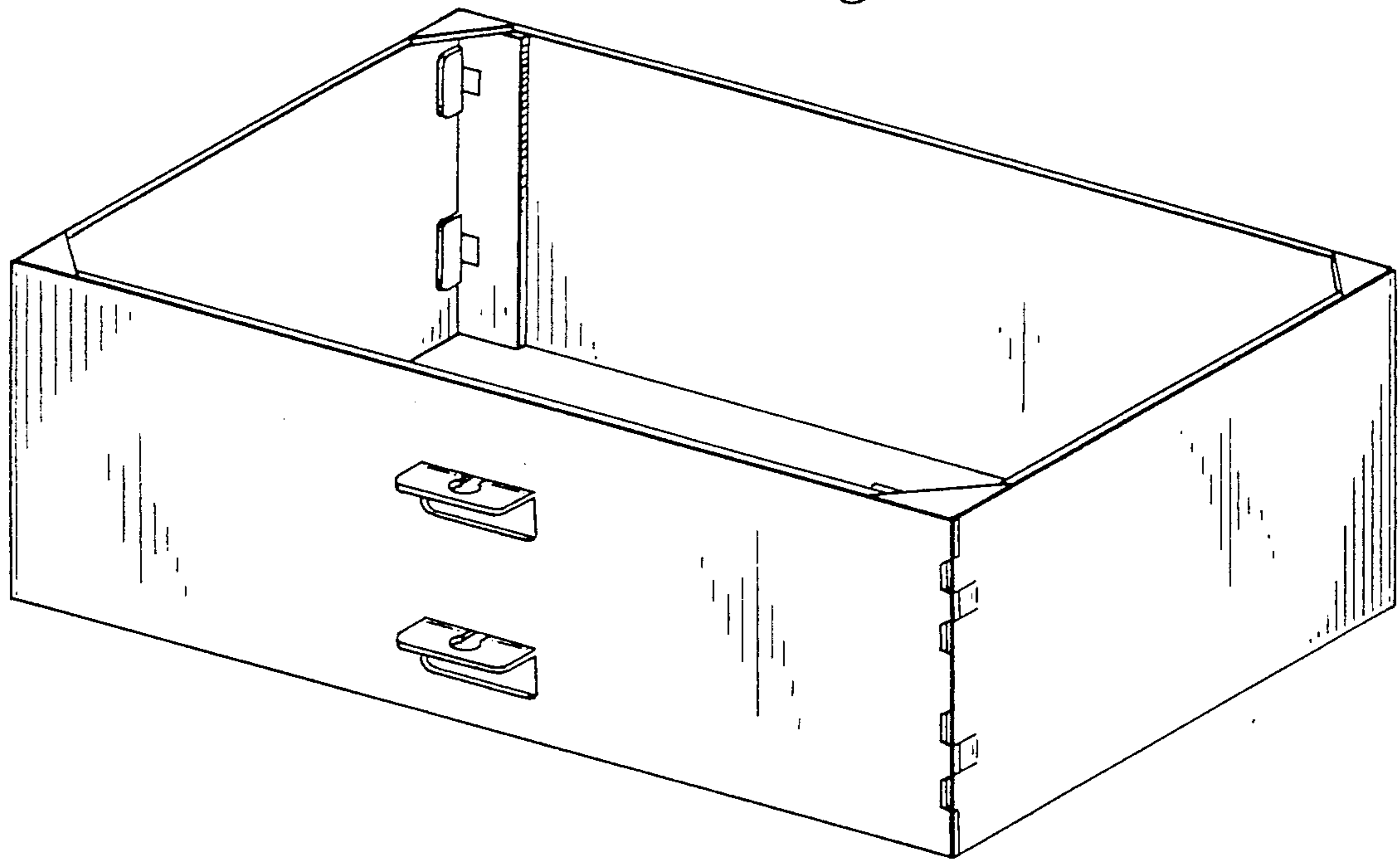


Fig.-3

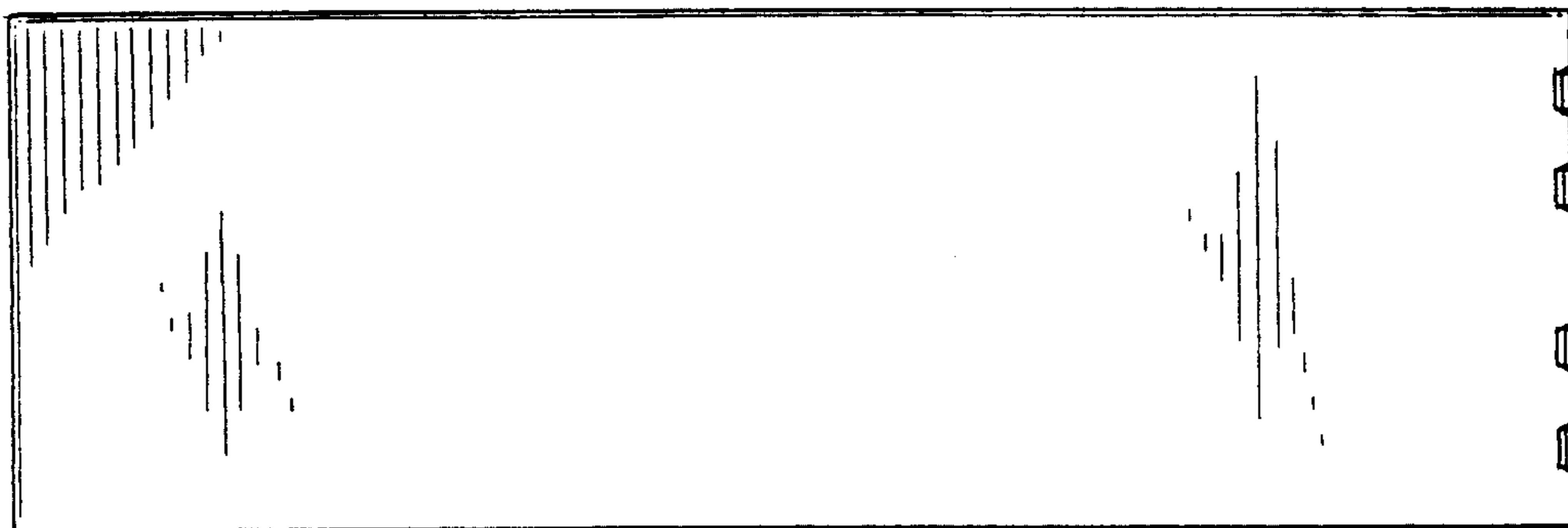


Fig.-4

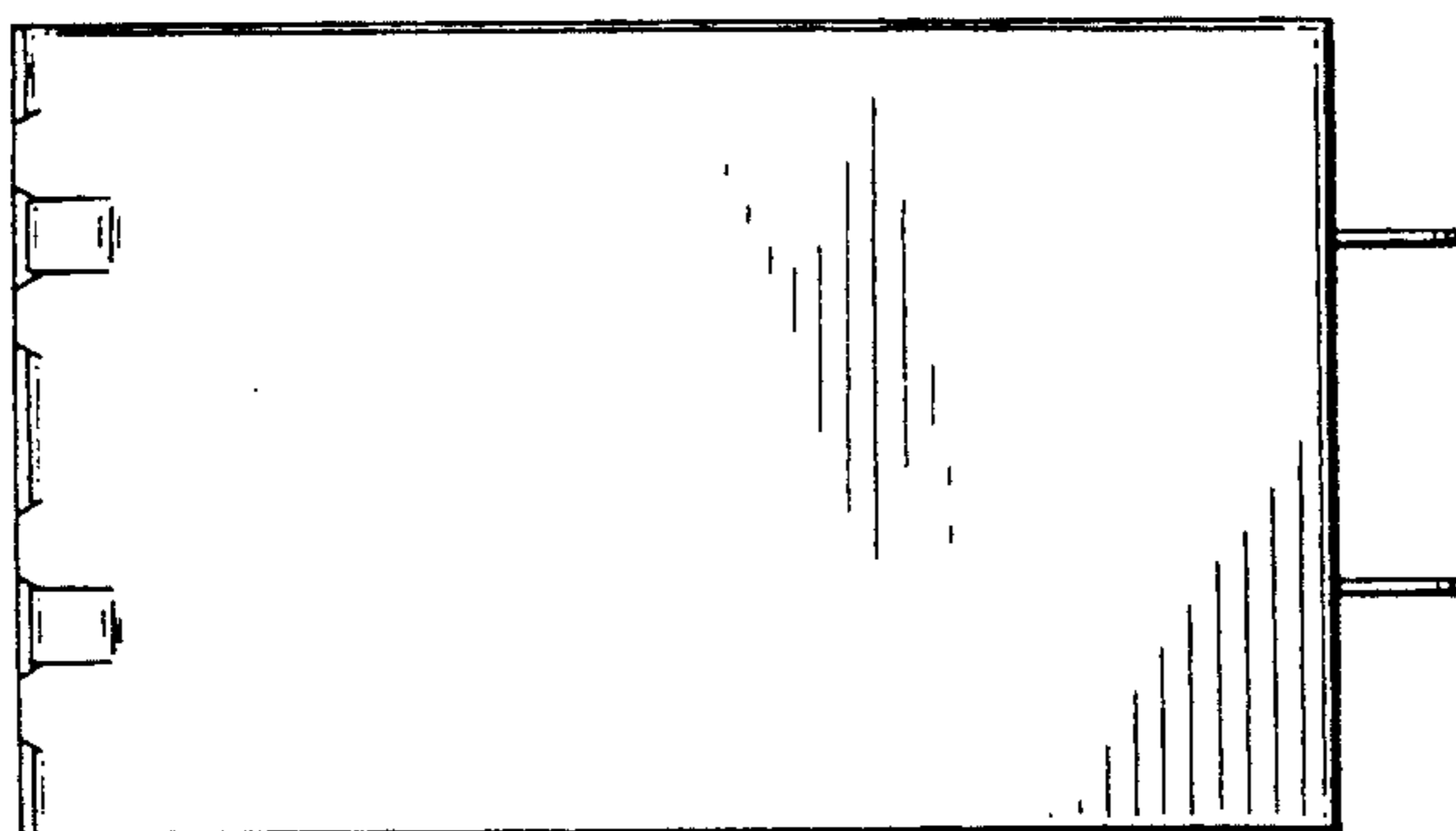


Fig.-5

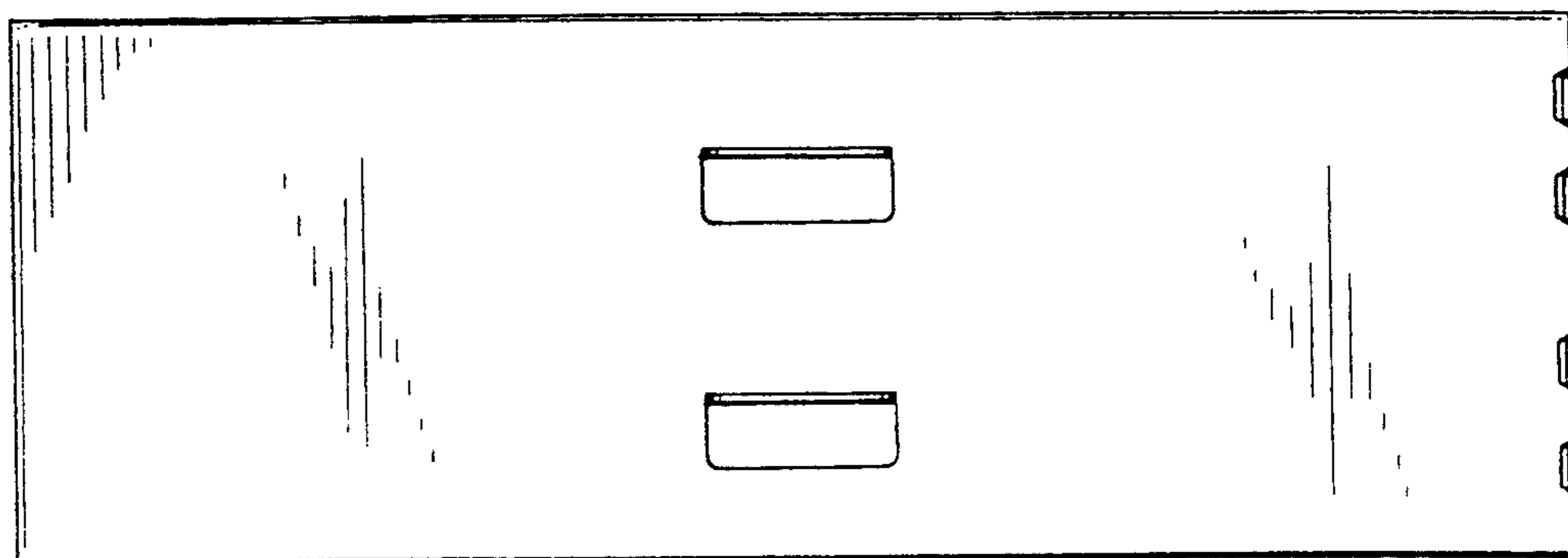


Fig.-6

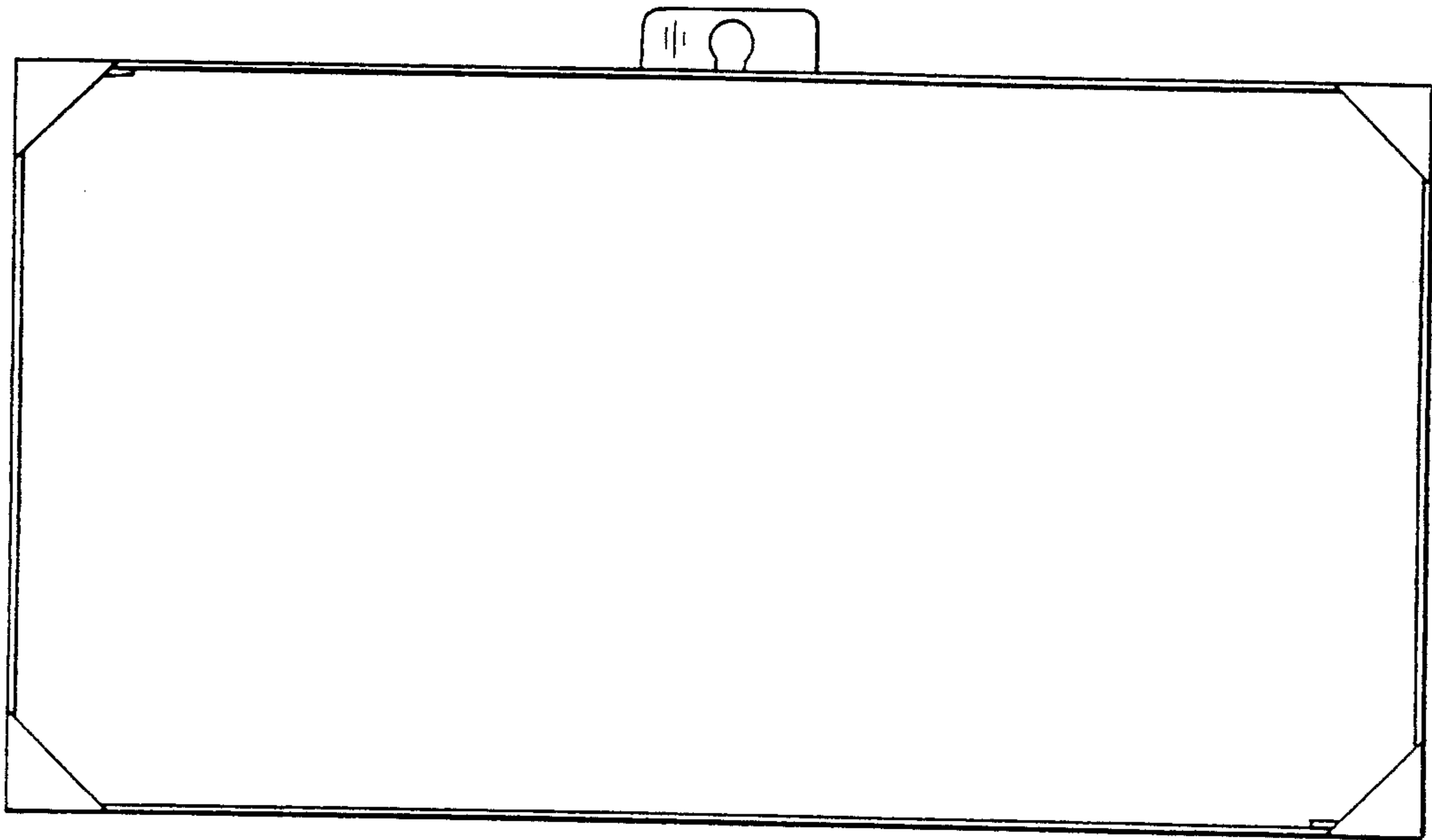


Fig.-7

