



US00D339937S

United States Patent [19]

[11] Patent Number: **Des. 339,937**

Ryan

[45] Date of Patent: **** Oct. 5, 1993**

[54] COVER FOR AN INFANT CAR SEAT

4,293,162 10/1981 Pap 297/184
4,583,779 4/1986 Myers 297/184
4,733,906 3/1988 Davis 297/184

[76] Inventor: **Mark G. Ryan, 529 Marigold Ave., Orlando, Fla. 32807**

FOREIGN PATENT DOCUMENTS

[**] Term: **14 Years**

3209015 9/1983 Fed. Rep. of Germany 5/418

[21] Appl. No.: **812,964**

Primary Examiner—Alan P. Douglas

[22] Filed: **Dec. 26, 1991**

Assistant Examiner—J. E. Seeger

[52] U.S. Cl. **D6/491**

Attorney, Agent, or Firm—Terry M. Gernstein

[58] Field of Search D6/500-502,
D6/491, 333, 339; D25/57; 5/418; 297/184,
224; D12/129

[57] CLAIM

The ornamental design for a cover for an infant car seat, as shown and described.

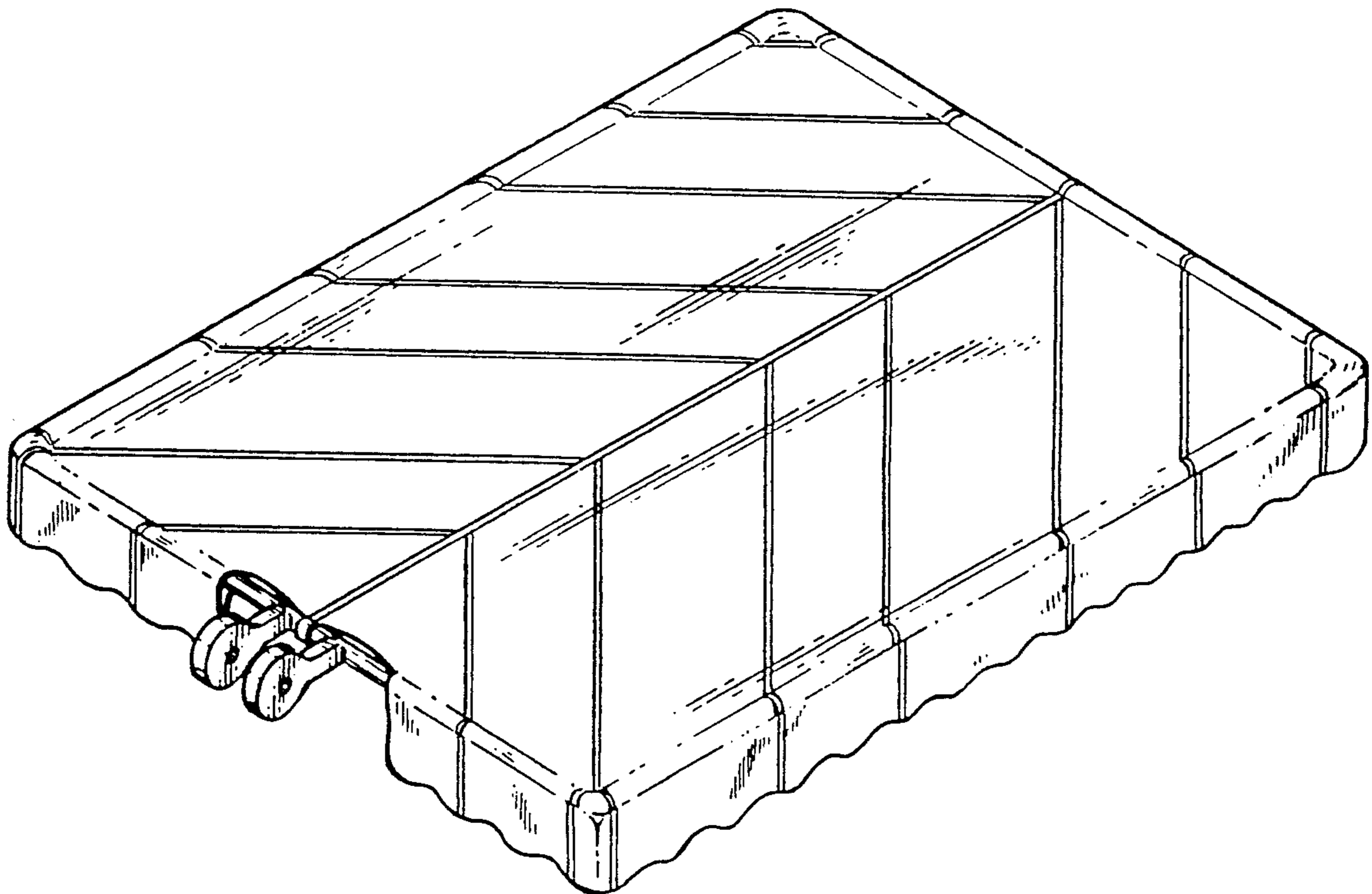
[56] References Cited

DESCRIPTION

U.S. PATENT DOCUMENTS

D. 151,155	9/1948	Koski	D25/57
D. 312,931	12/1990	Westfall et al.	D6/491
1,536,665	5/1925	Fargo	297/184
2,010,472	8/1935	Angel	5/418 X
2,070,484	2/1937	Jones	297/184 X
2,752,929	7/1956	Berger	297/184 X
2,771,125	11/1956	Dobbins	5/418 X

FIG. 1 is a perspective view of the cover for an infant car seat embodying the design of the present invention; FIG. 2 is a front elevational view thereof; FIG. 3 is a rear elevational view thereof; FIG. 4 is a side elevational view thereof, the side opposite being a mirror image of the side shown in FIG. 4; FIG. 5 is a top plan view thereof; and, FIG. 6 is a bottom view thereof.



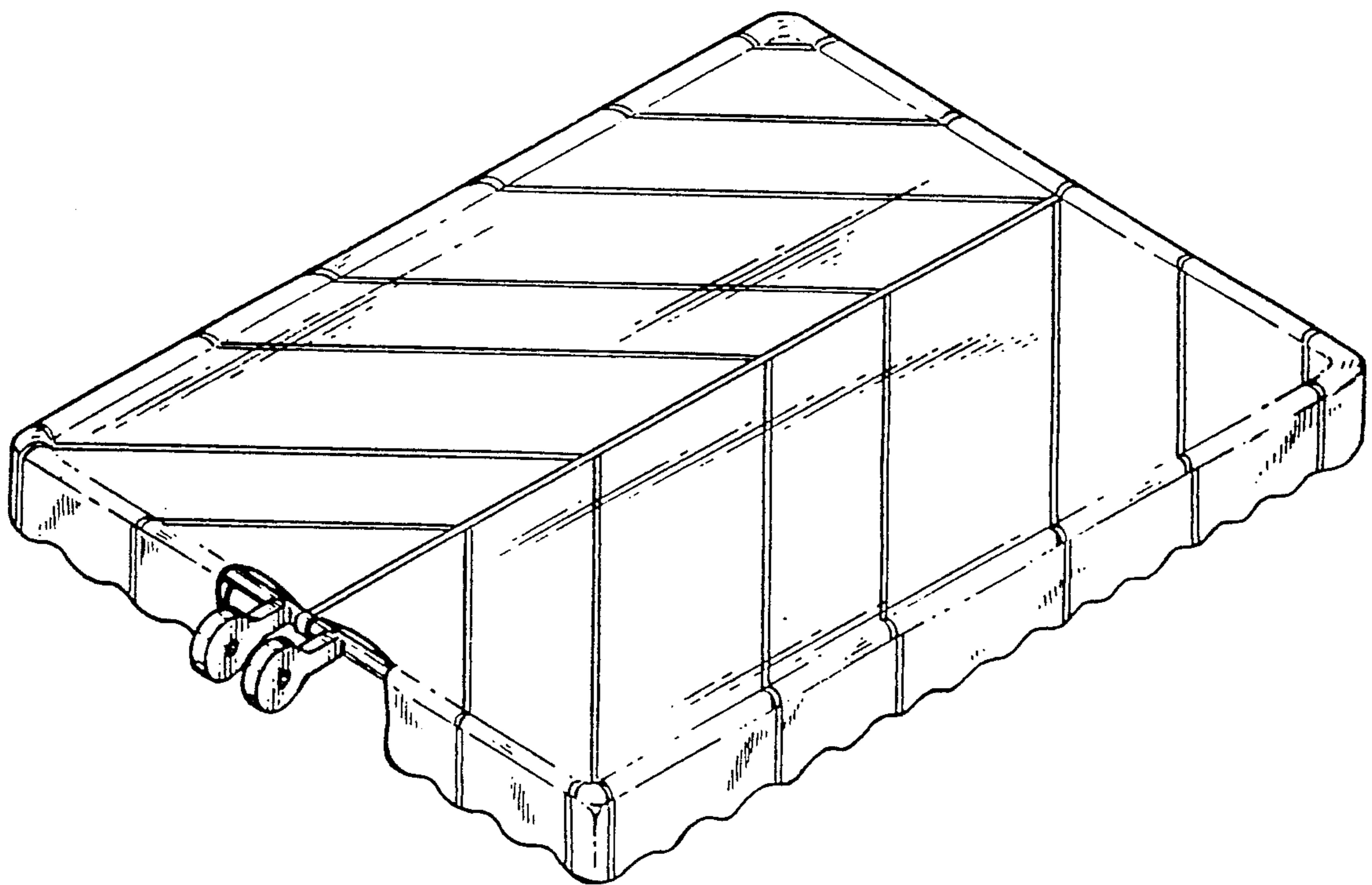


FIG. 1



FIG. 2

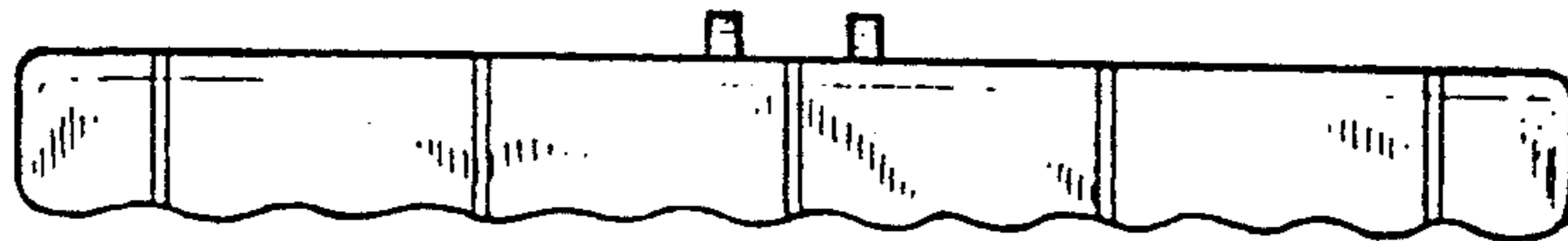


FIG. 3

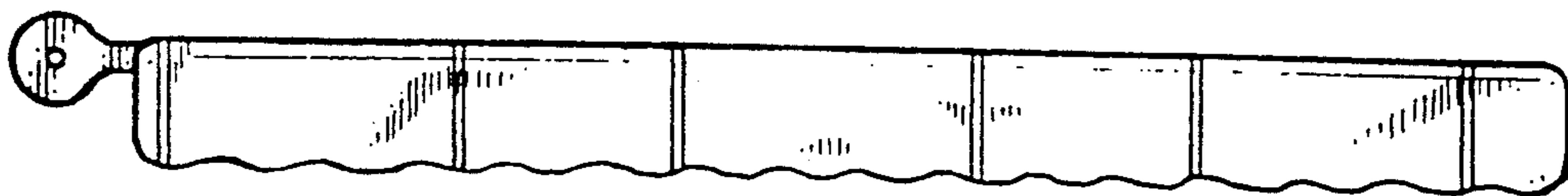


FIG. 4

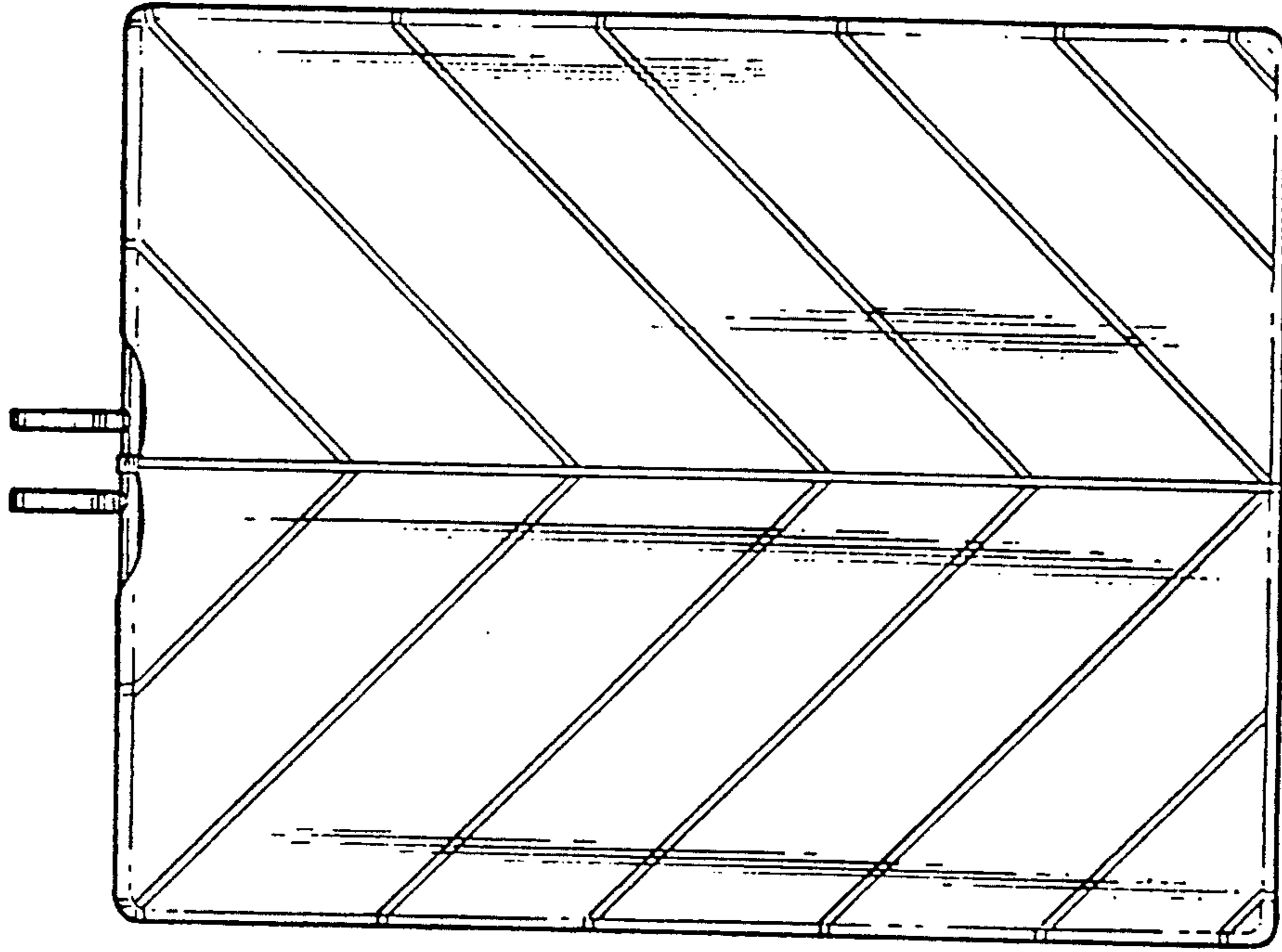


FIG. 5

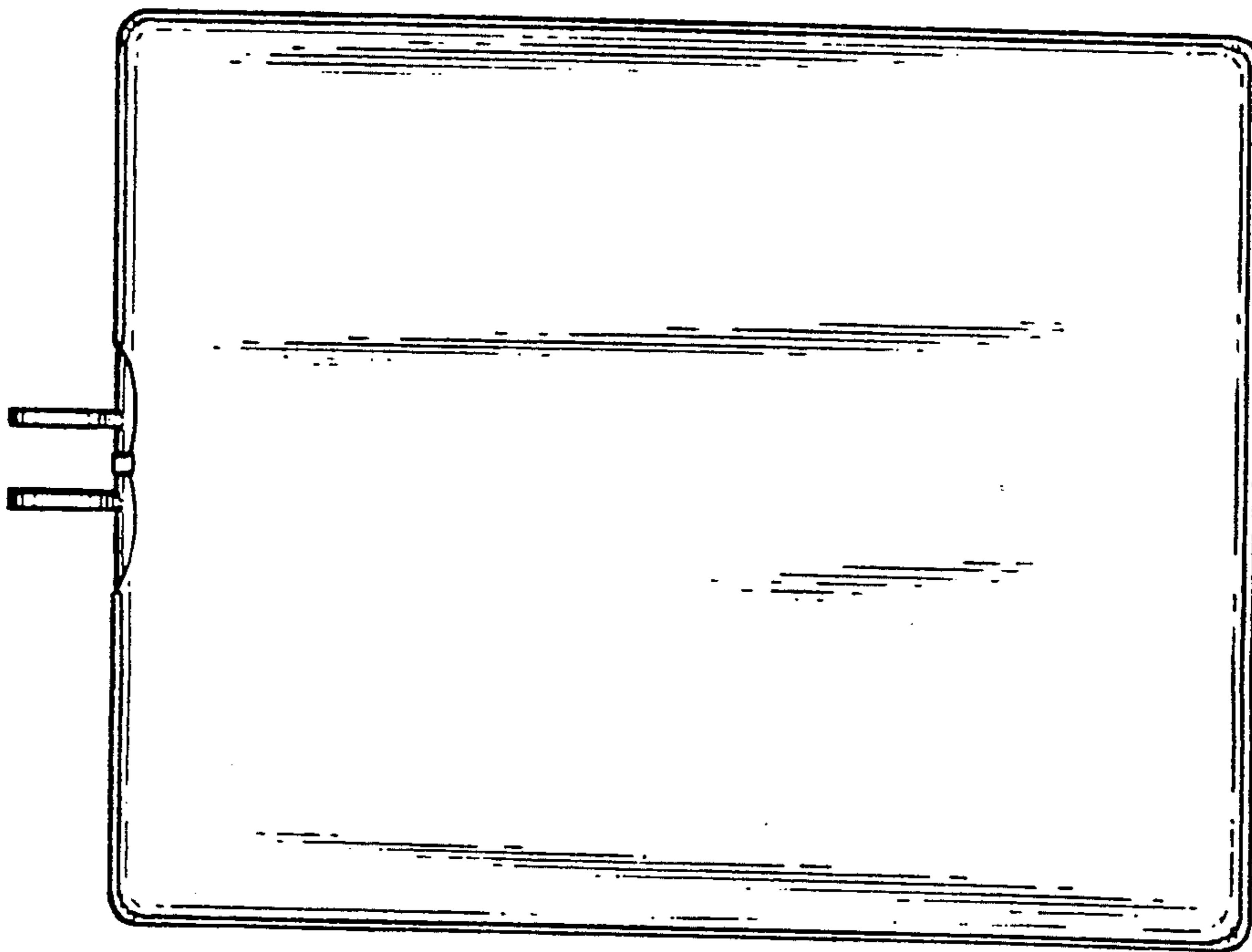


FIG. 6