



US00D339935S

United States Patent [19]

[11] Patent Number: **Des. 339,935**

Giugiaro

[45] Date of Patent: **** Oct. 5, 1993**

[54] DINING TABLE

[56] References Cited

[75] Inventor: **Giorgetto Giugiaro**, Turin, Italy

U.S. PATENT DOCUMENTS

D. 295,802 5/1988 Abraham D6/486 X

[73] Assignee: **Fiam Italia S.p.A.**, Tavullia-Pesaro, Italy

OTHER PUBLICATIONS

Selig Tables, #77-04 Cocktail Table at lower right.

[**] Term: **14 Years**

Primary Examiner—Nelson C. Holtje

Assistant Examiner—J. E. Seeger

[21] Appl. No.: **731,921**

[57] CLAIM

The ornamental design for a dining table, as shown and described.

[22] Filed: **Jul. 18, 1991**

DESCRIPTION

[30] Foreign Application Priority Data

Mar. 8, 1991 [IT] Italy MI 910000194

[52] U.S. Cl. **D6/485; D6/486**

[58] Field of Search **D6/480-489, D6/495-499, 450-453; 108/111, 161**

FIG. 1 is a perspective view of a dining table showing my new design;

FIG. 2 is a top plan view thereof;

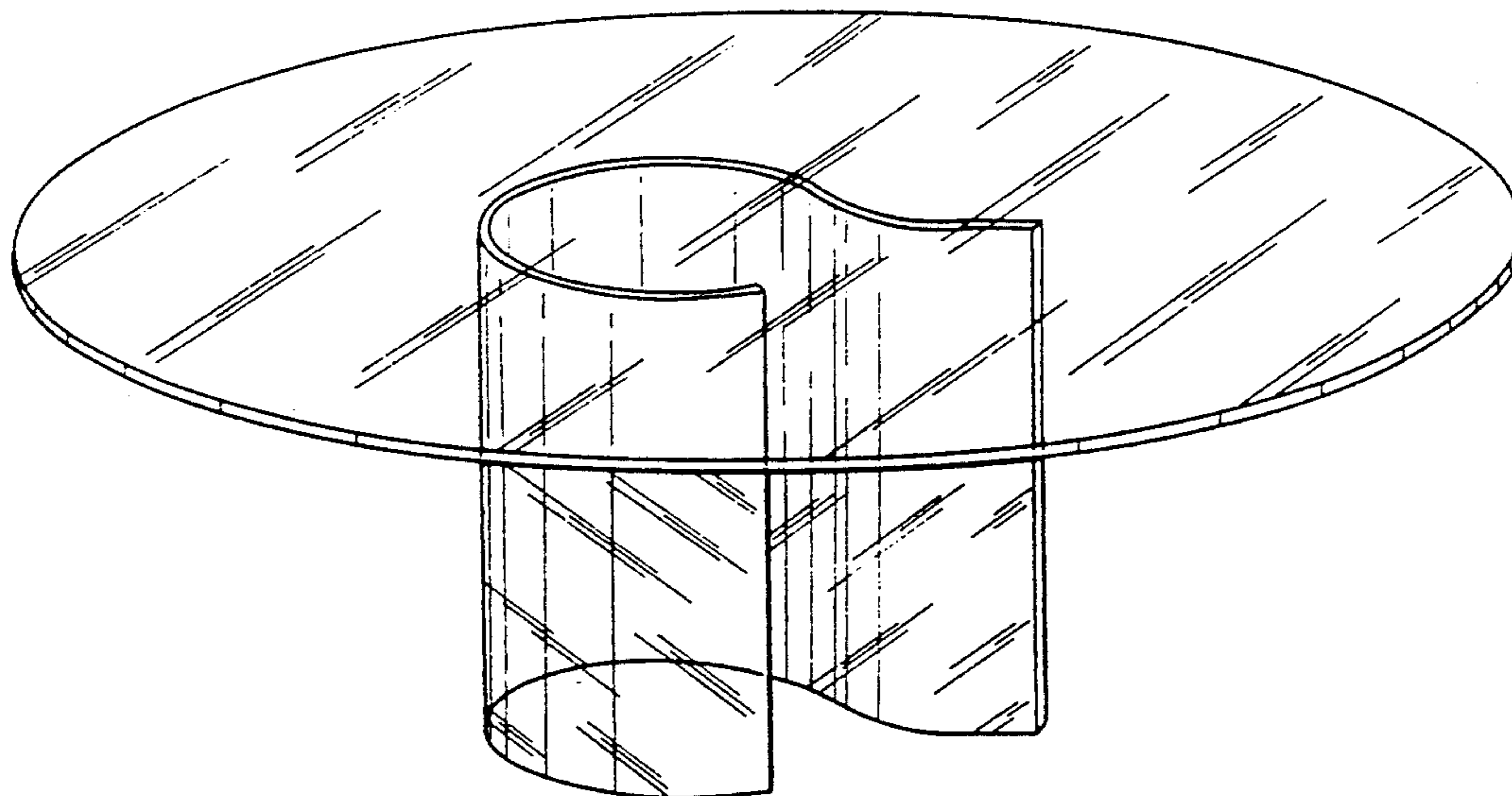
FIG. 3 is a bottom view thereof;

FIG. 4 is a right side thereof;

FIG. 5 is a left side view thereof;

FIG. 6 is a rear view thereof; and,

FIG. 7 is a front view thereof.



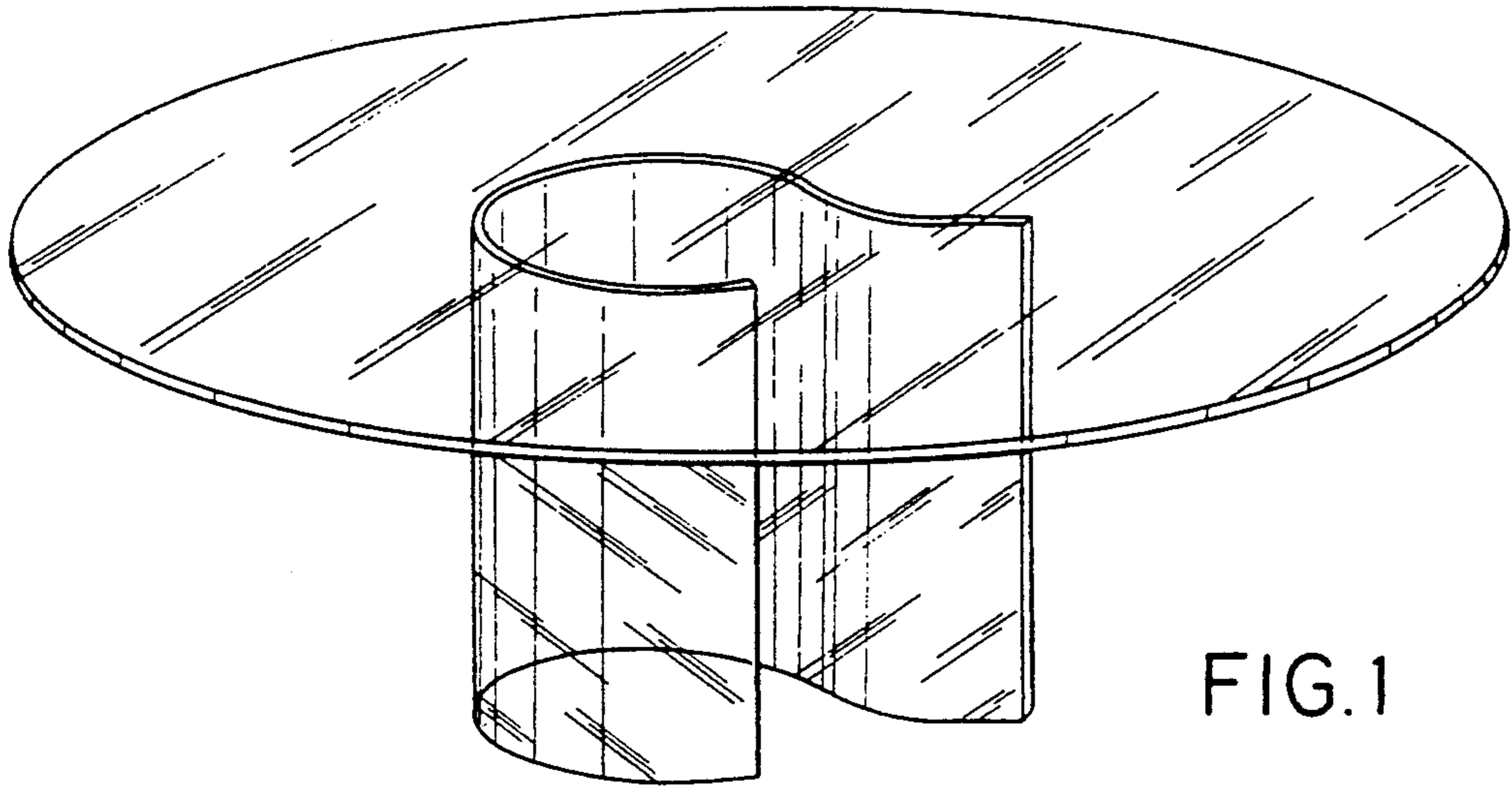


FIG. 1

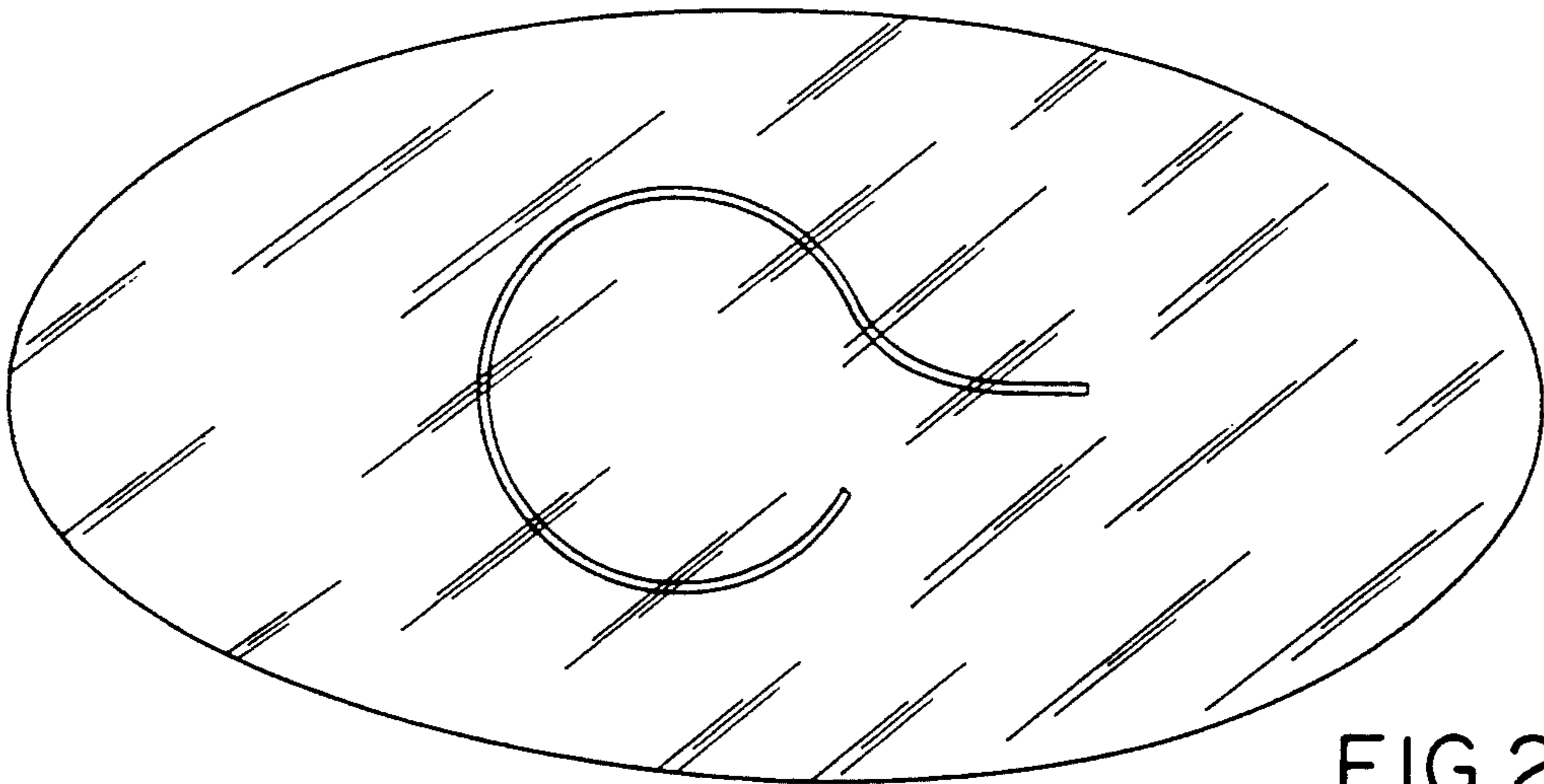


FIG. 2

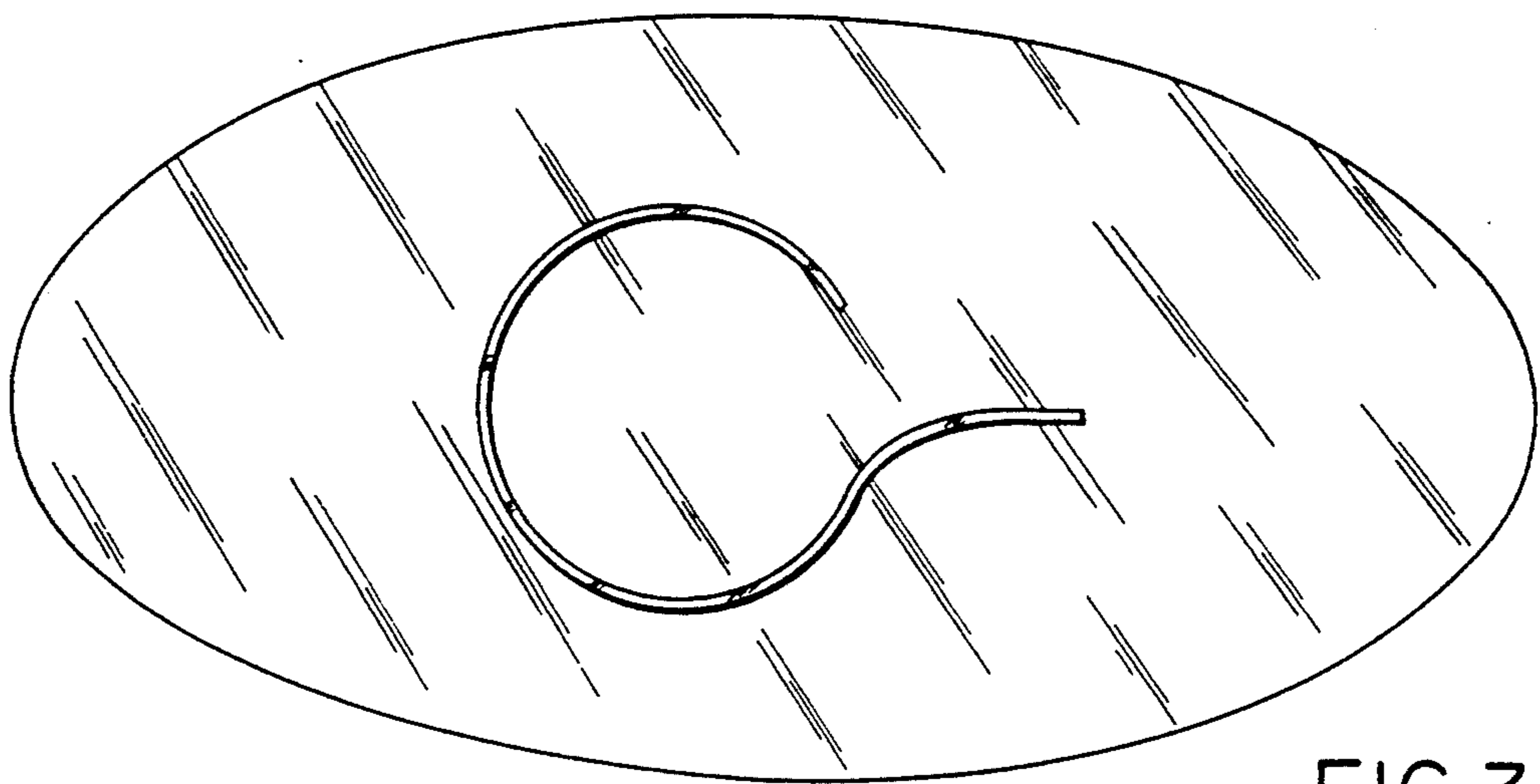


FIG. 3

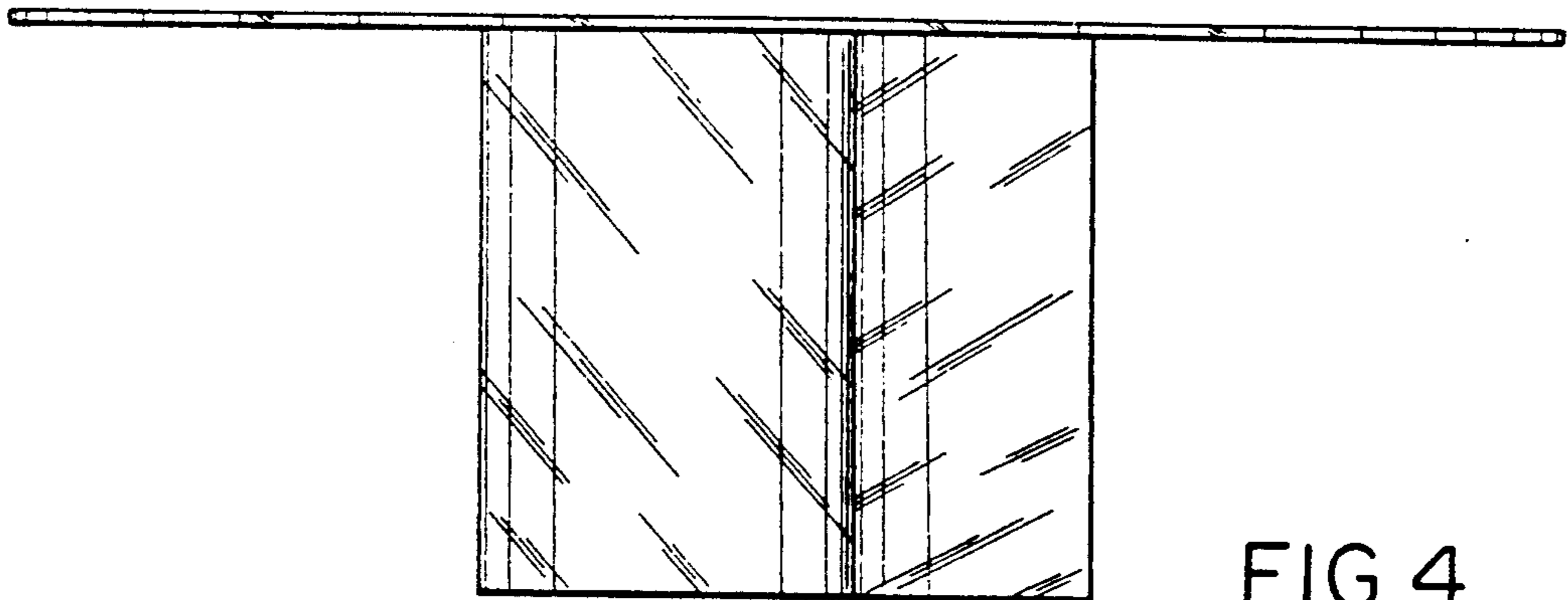


FIG. 4

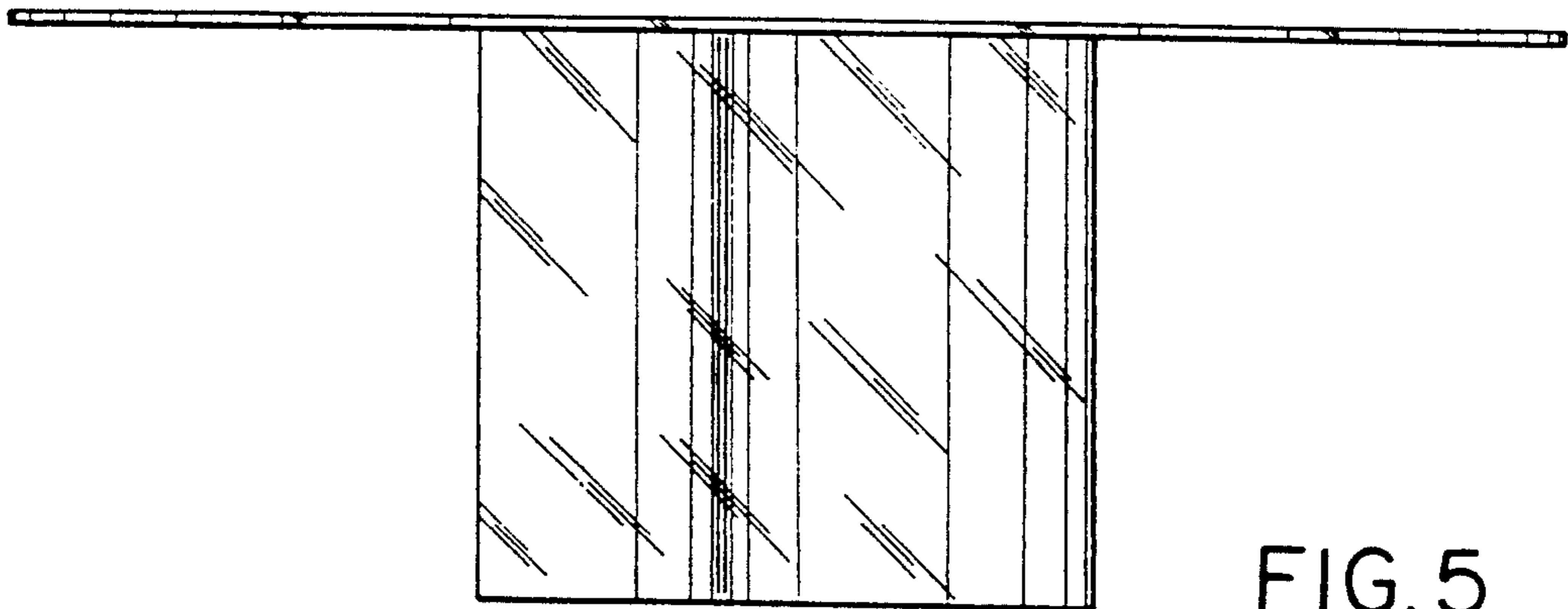


FIG. 5

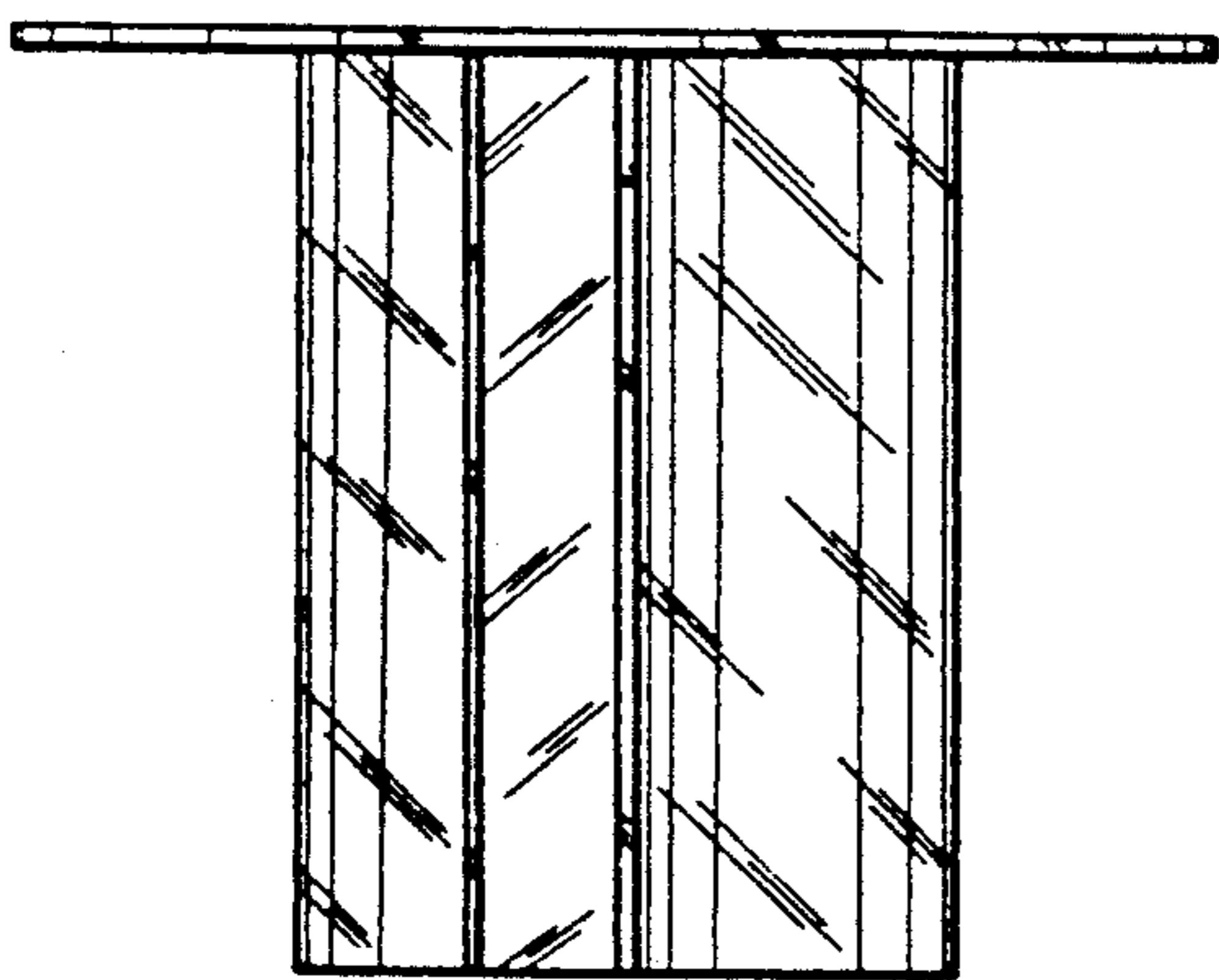


FIG. 6

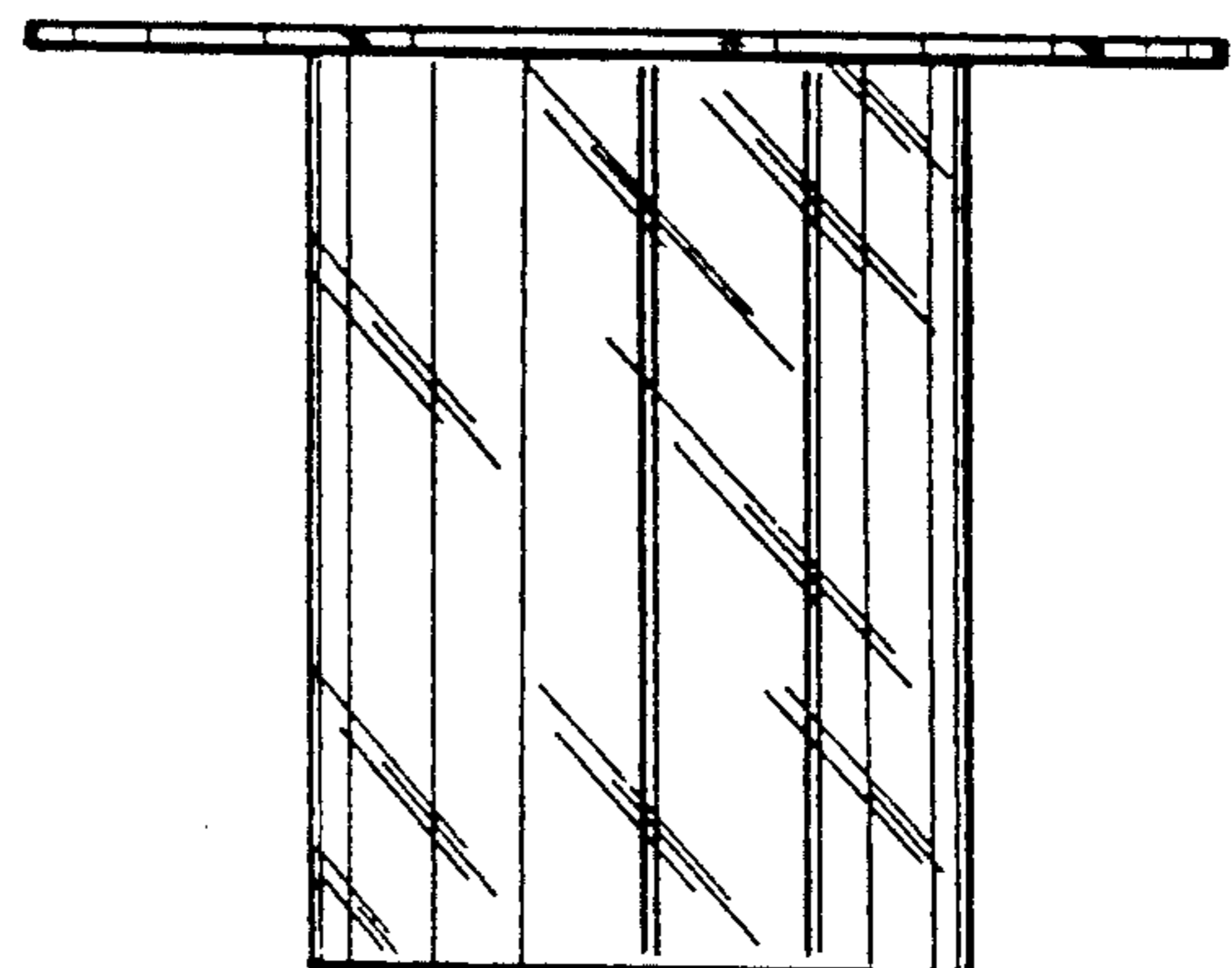


FIG. 7