



US00D339934S

United States Patent [19]

[11] Patent Number: **Des. 339,934**

Reuter

[45] Date of Patent: **** Oct. 5, 1993**

- [54] STORAGE CABINET
- [75] Inventor: **Robert E. Reuter**, Stony Brook, N.Y.
- [73] Assignee: **Westinghouse Electric Corp.**,
Pittsburgh, Pa.
- [**] Term: **14 Years**
- [21] Appl. No.: **765,870**
- [22] Filed: **Sep. 26, 1991**
- [52] U.S. Cl. **D6/441; D7/609**
- [58] Field of Search **D6/432-448,**
D6/559; D7/609; D19/86, 76; 312/204, 328,
321.5

Primary Examiner—Carmen H. Vales-Lado
Attorney, Agent, or Firm—C. J. Vrsansky

[57] **CLAIM**

The ornamental design for a storage cabinet, as shown and described.

DESCRIPTION

FIG. 1 is a perspective view of a storage cabinet showing my new design;
 FIG. 2 is a left side elevational view, the right side being a mirror image thereof;
 FIG. 3 is a front elevational view thereof;
 FIG. 4 is a bottom plan view thereof;
 FIG. 5 is a top plan view thereof;
 FIG. 6 is a back elevational view thereof;
 FIG. 7 is a side elevational view thereof, with the door in the open position;
 FIG. 8 is a perspective view of a modified form of the storage cabinet shown in FIG. 1;
 FIG. 9 is a left side elevational view the right side being a mirror image thereof;
 FIG. 10 is a front elevational view thereof;
 FIG. 11 is a bottom plan view thereof;
 FIG. 12 is a top plan view thereof;
 FIG. 13 is a back elevational view thereof; and,
 FIG. 14 is a side elevational view thereof, with one of the doors in the open position.

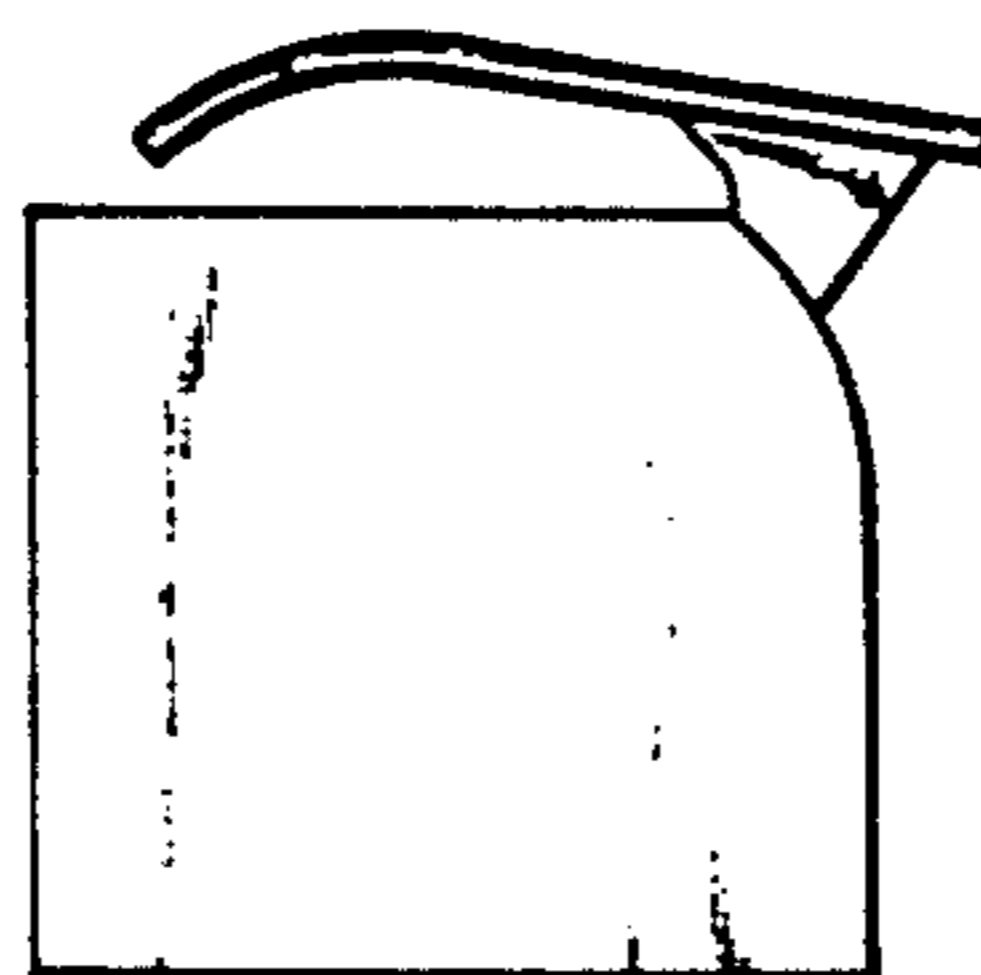
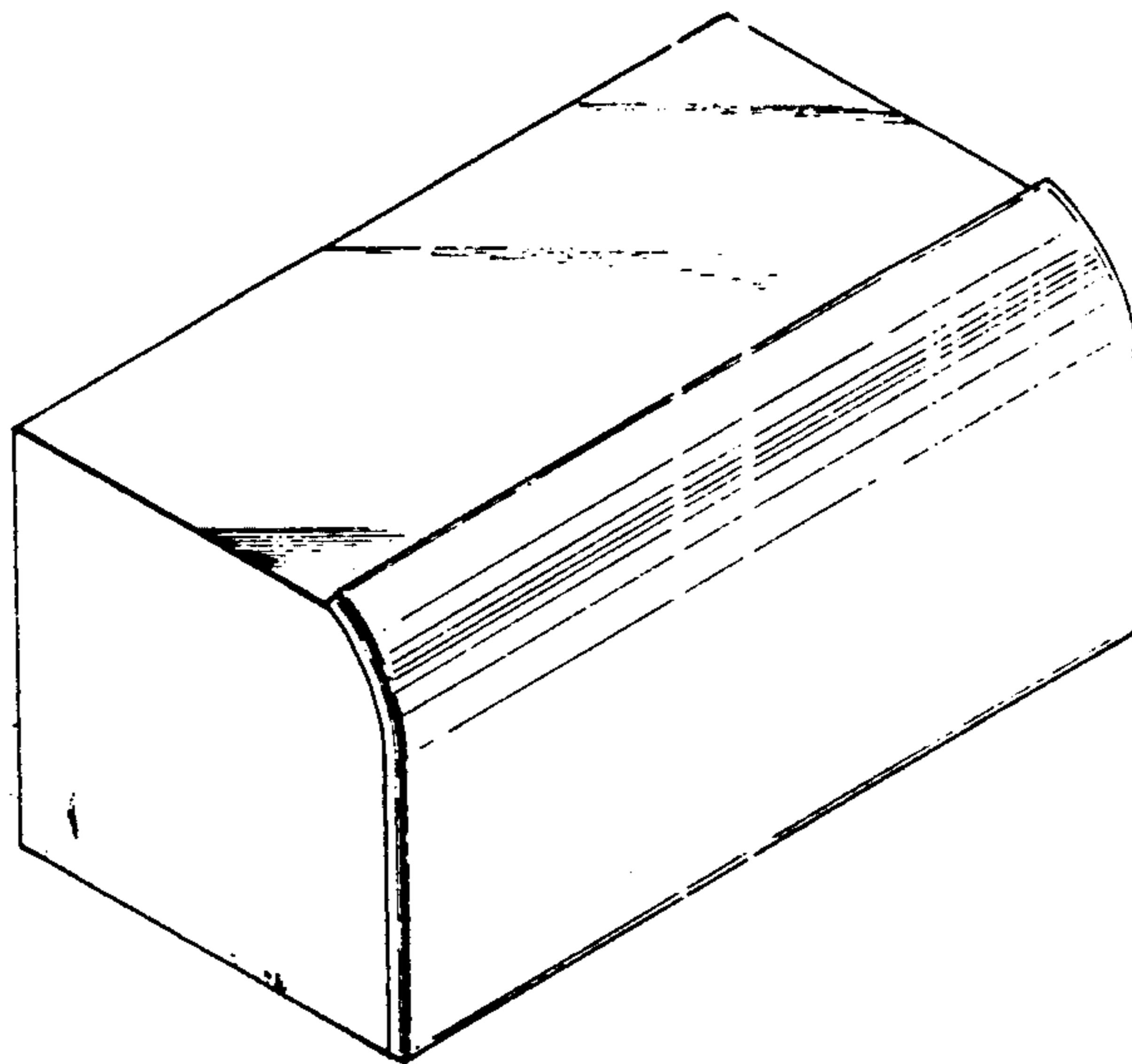
[56] **References Cited**

U.S. PATENT DOCUMENTS

D. 149,461	4/1948	Underwood	D19/86
D. 260,535	9/1981	Bonet	D19/76
D. 277,394	1/1985	Assels	D19/76
D. 278,010	3/1985	Ostrander	.	
D. 286,228	10/1986	Long et al.	D19/76 X
3,771,847	11/1973	Aylworth	312/321.5 X
4,167,298	9/1979	Plattner	312/321.5 X

OTHER PUBLICATIONS

Sowory Catalog 1939 p. 22; bread box top right on page.



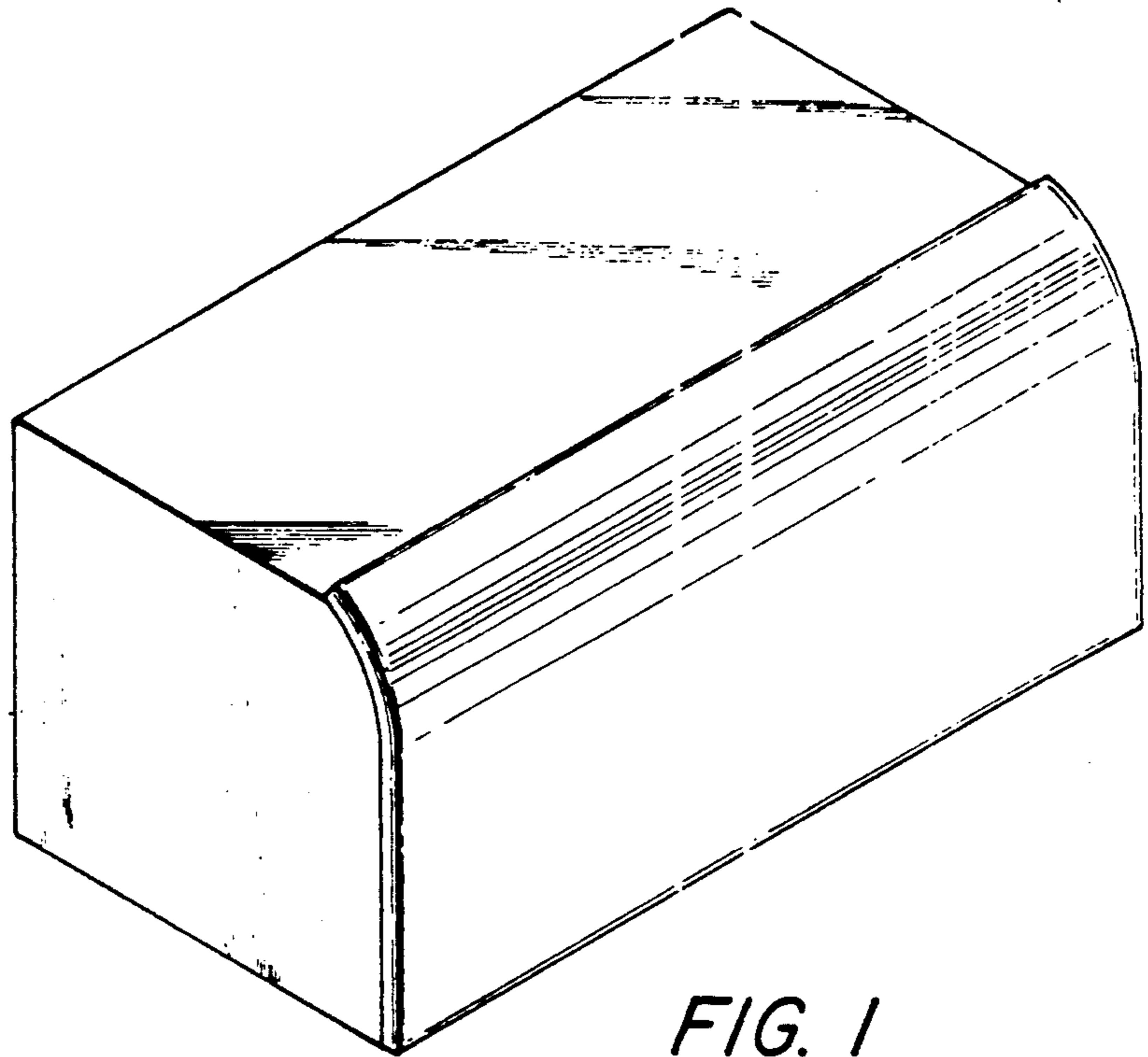


FIG. 1

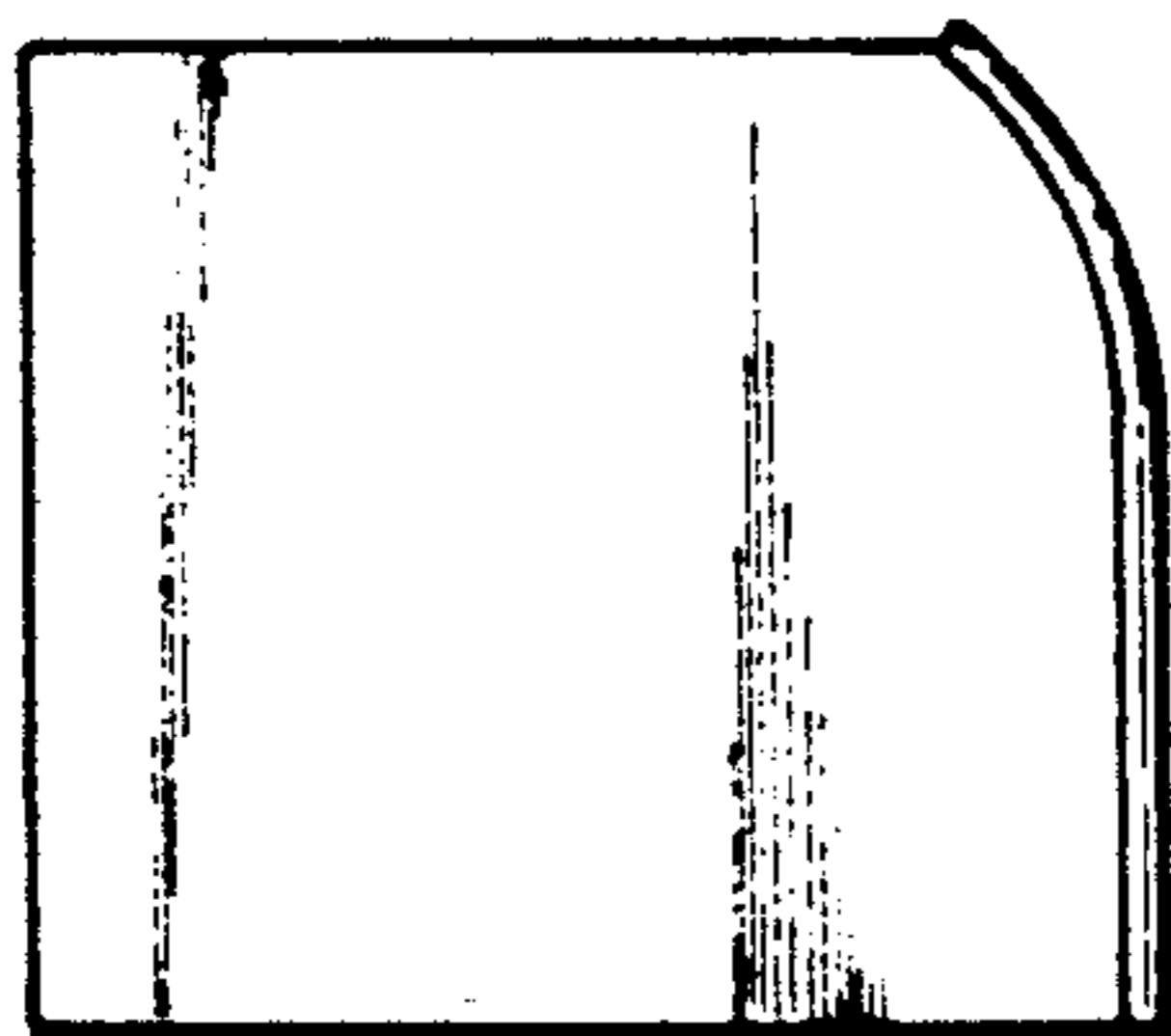


FIG. 2

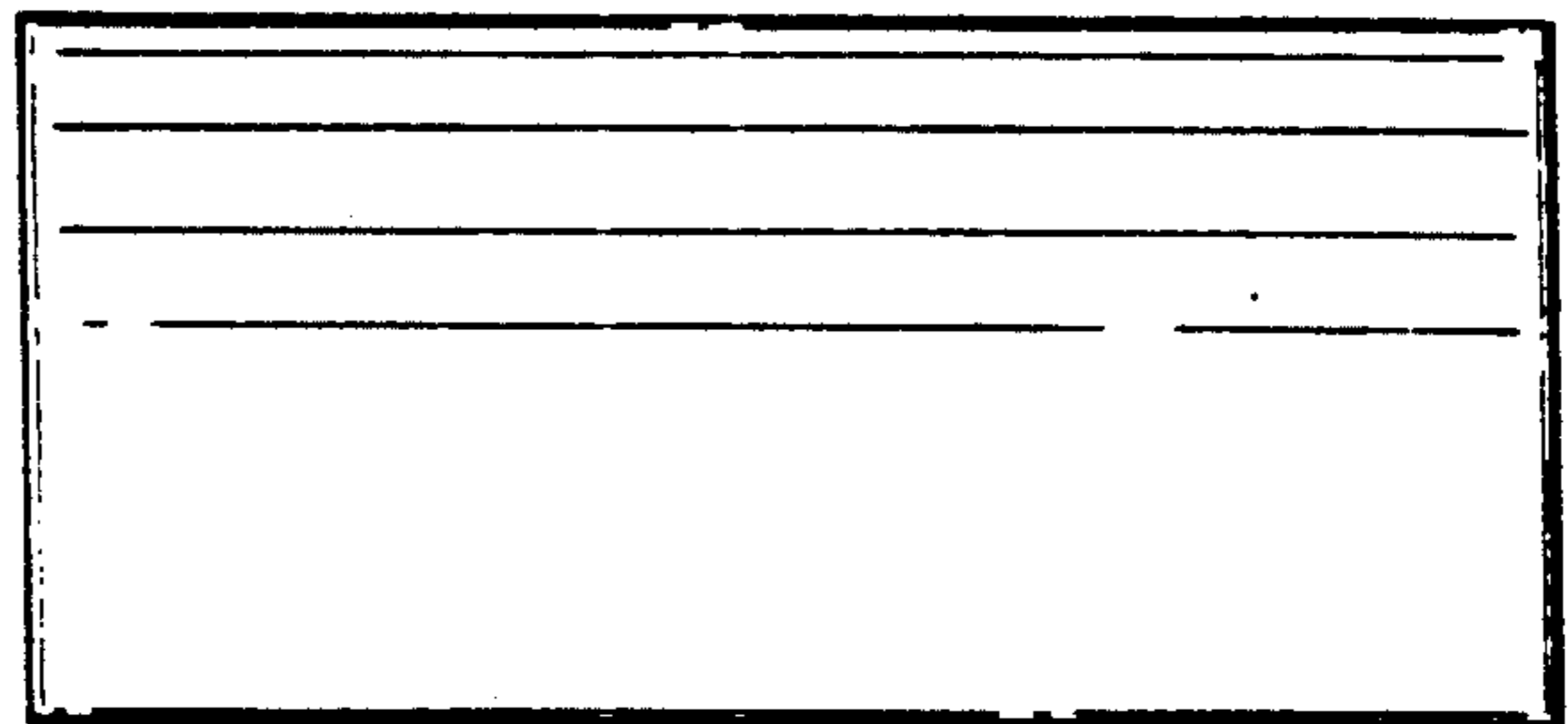


FIG. 3

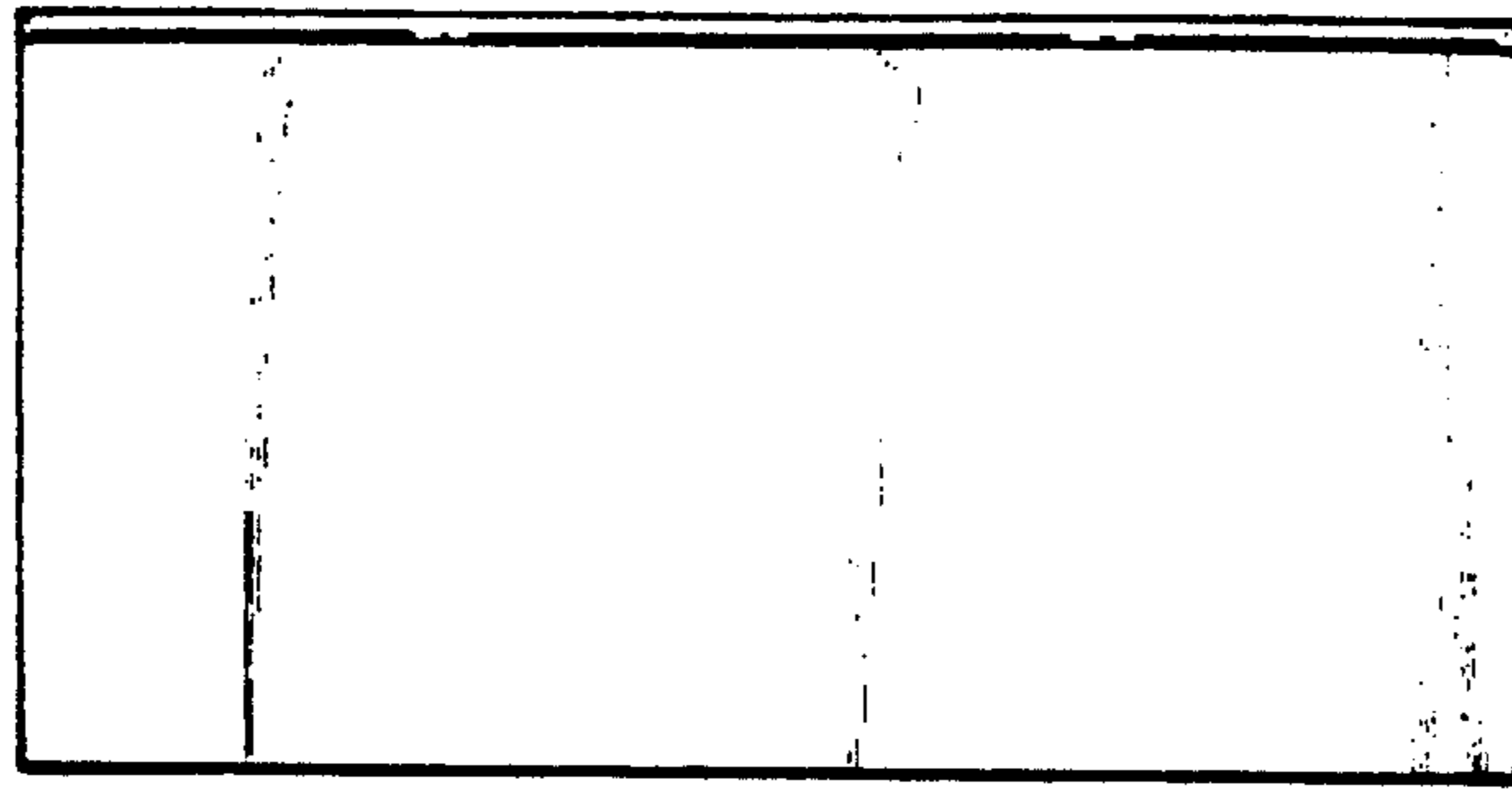


FIG. 4

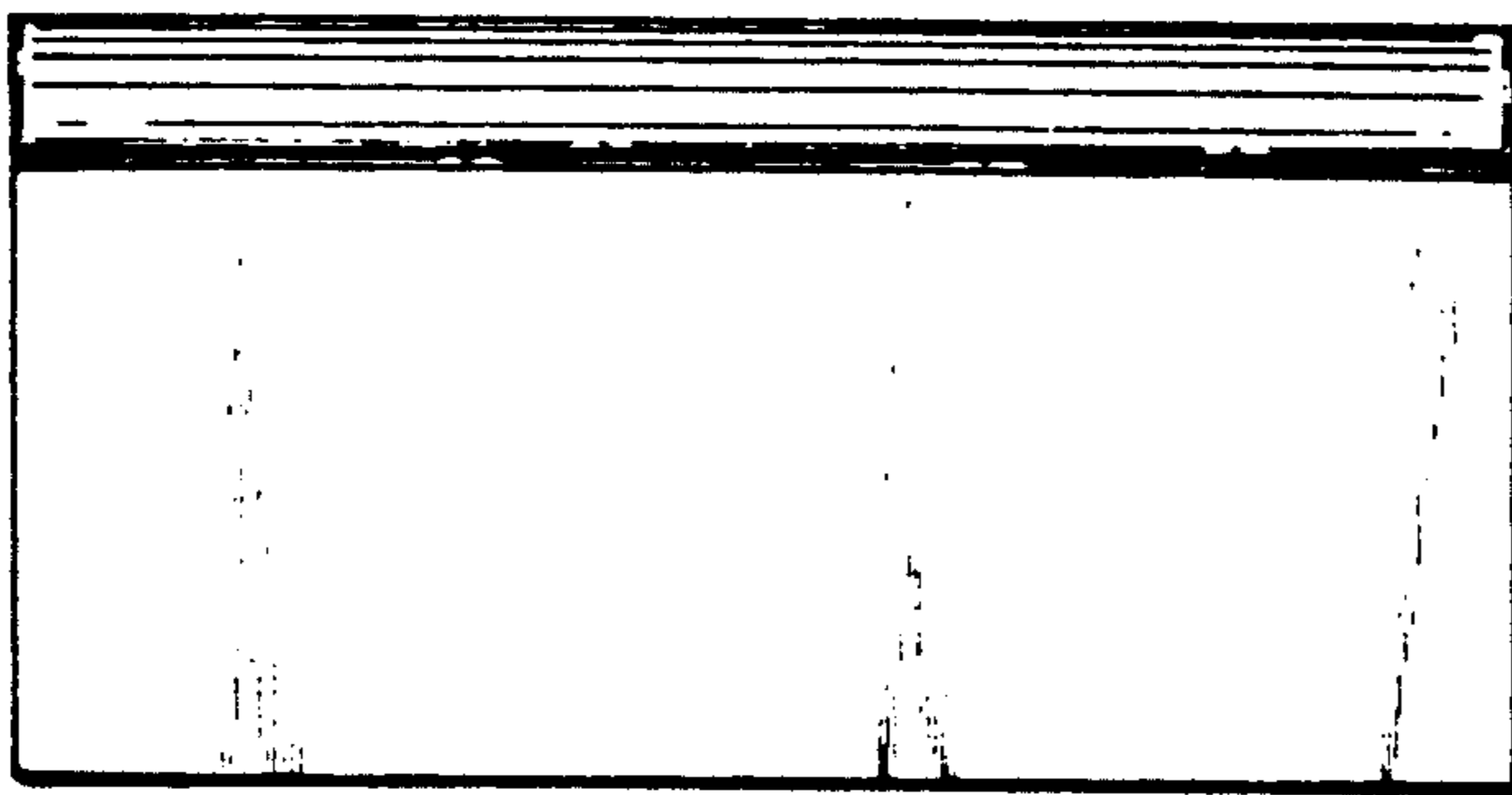


FIG. 5

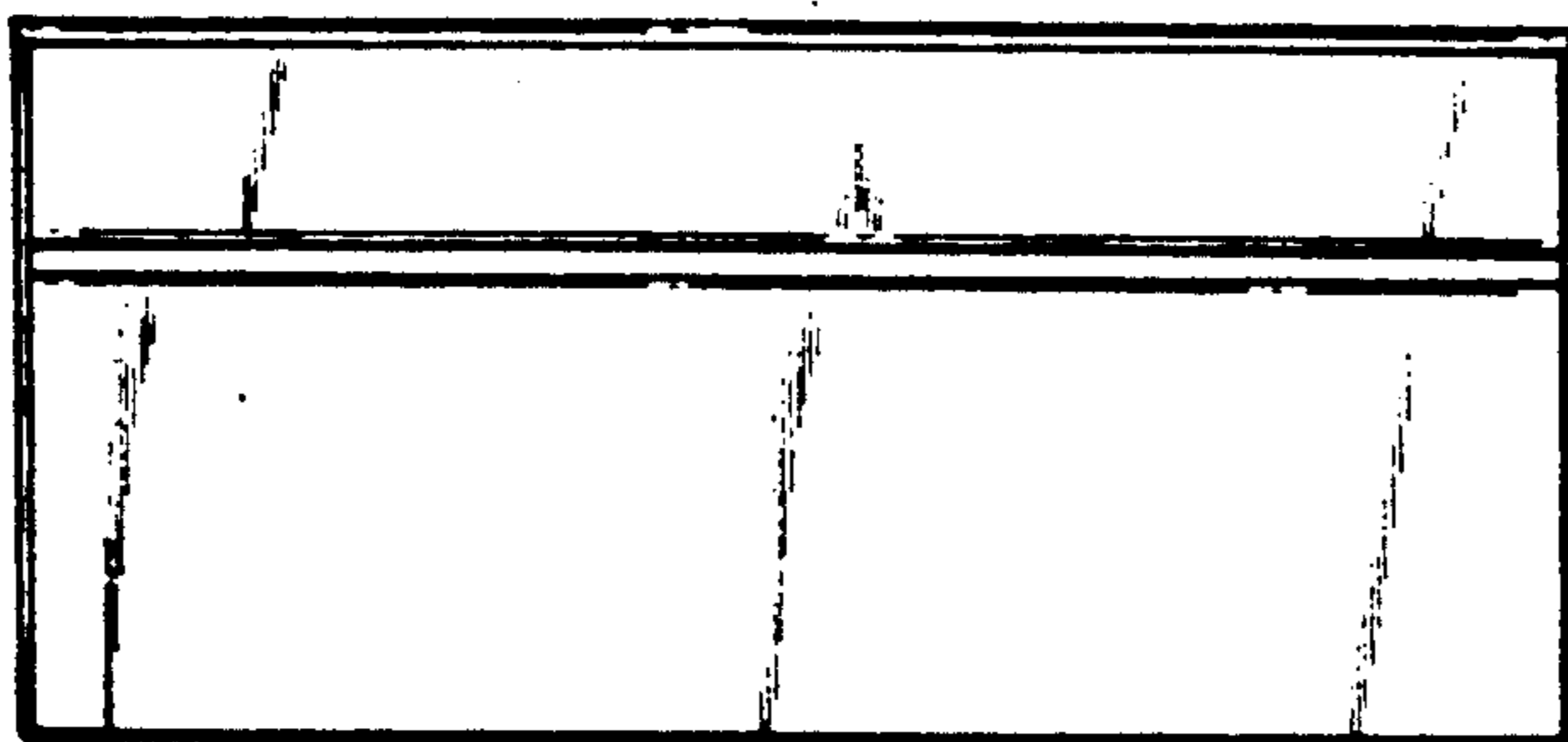


FIG. 6

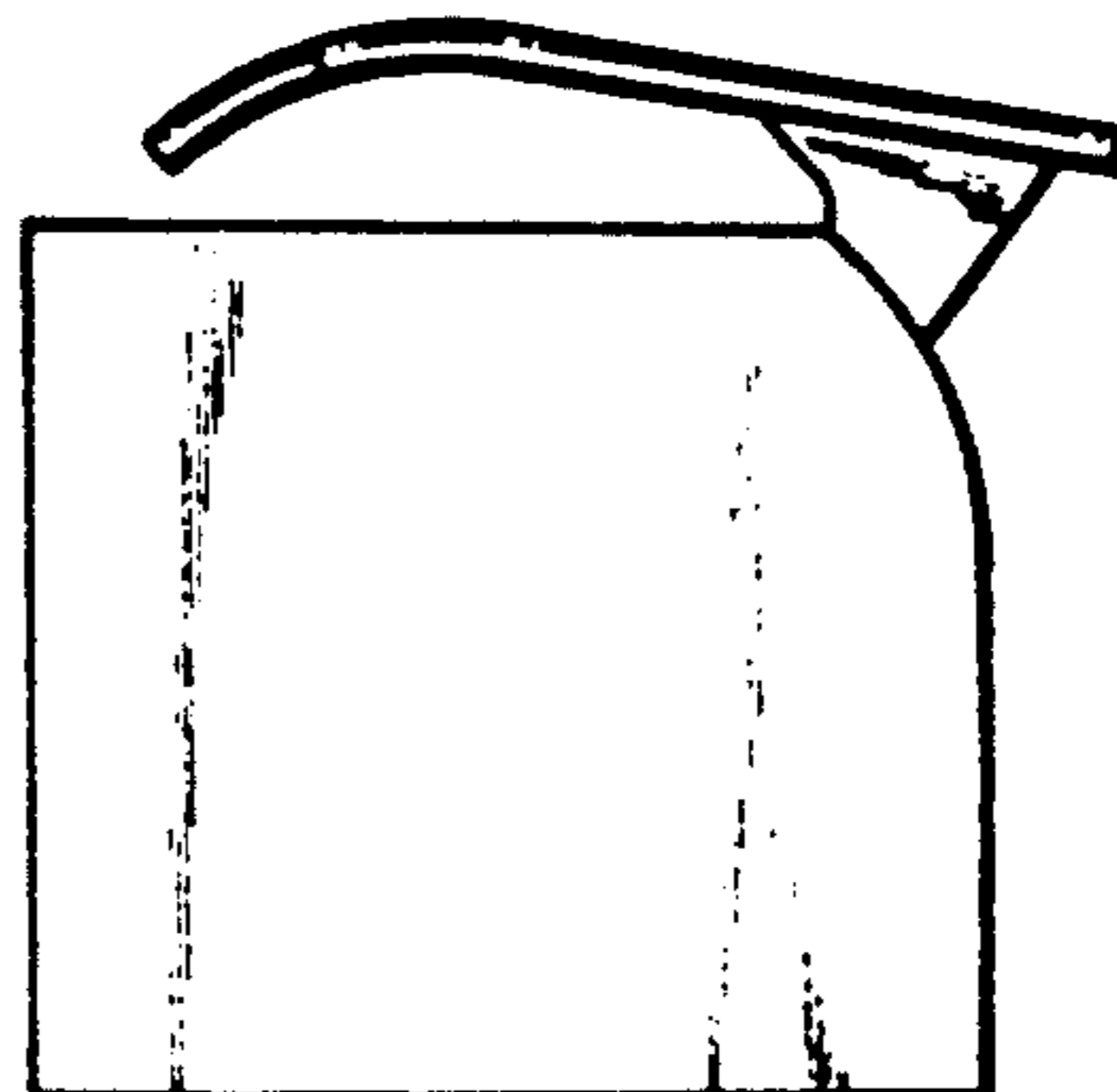


FIG. 7

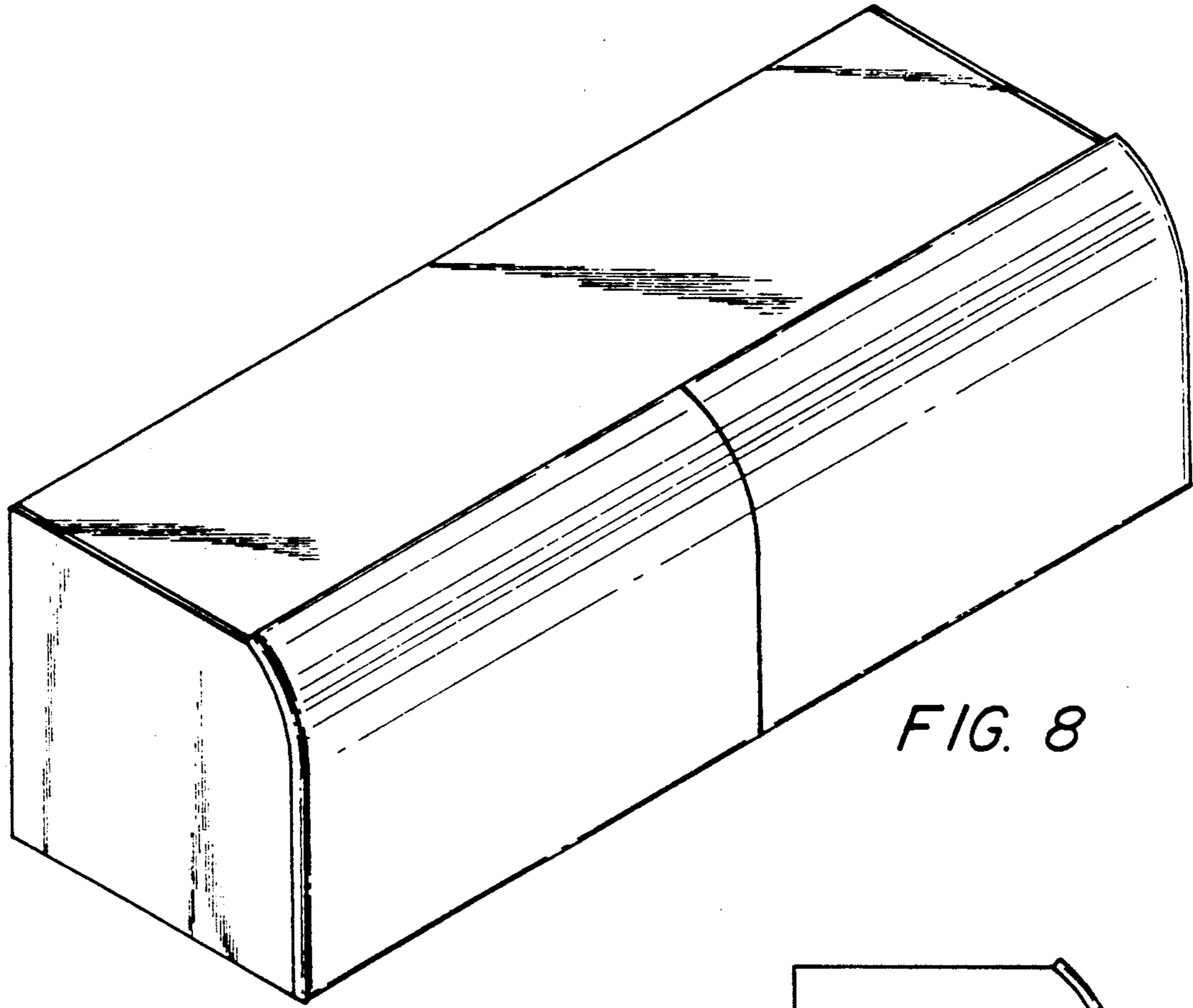


FIG. 8

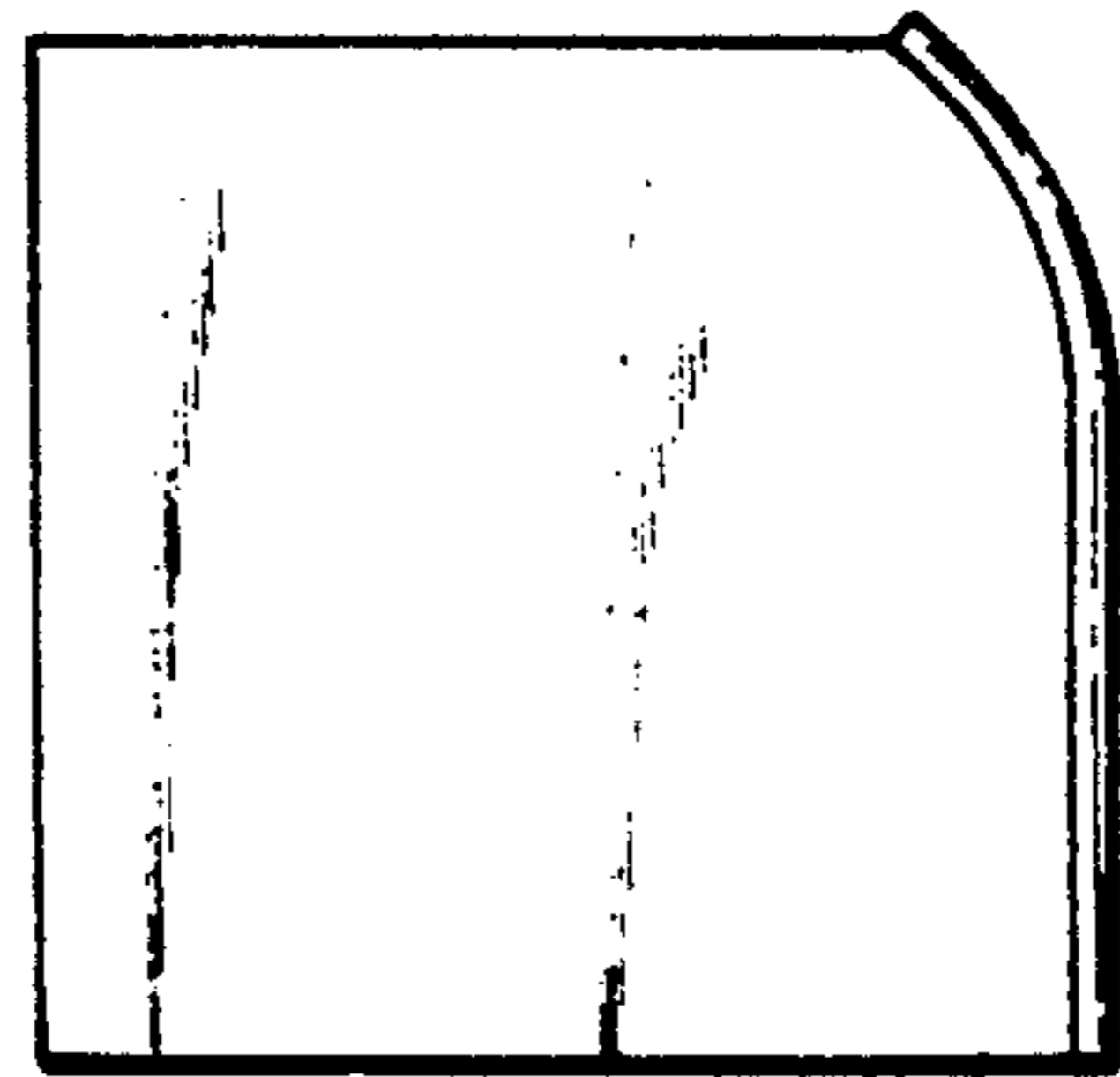


FIG. 9

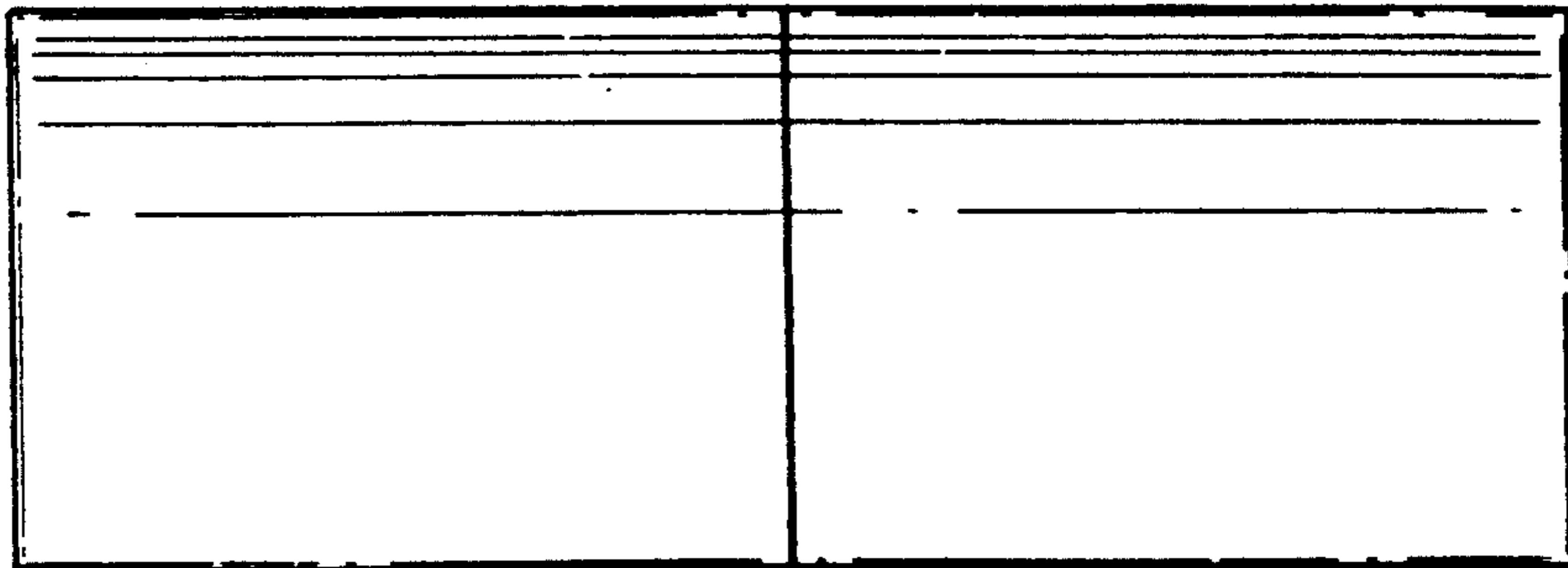


FIG. 10

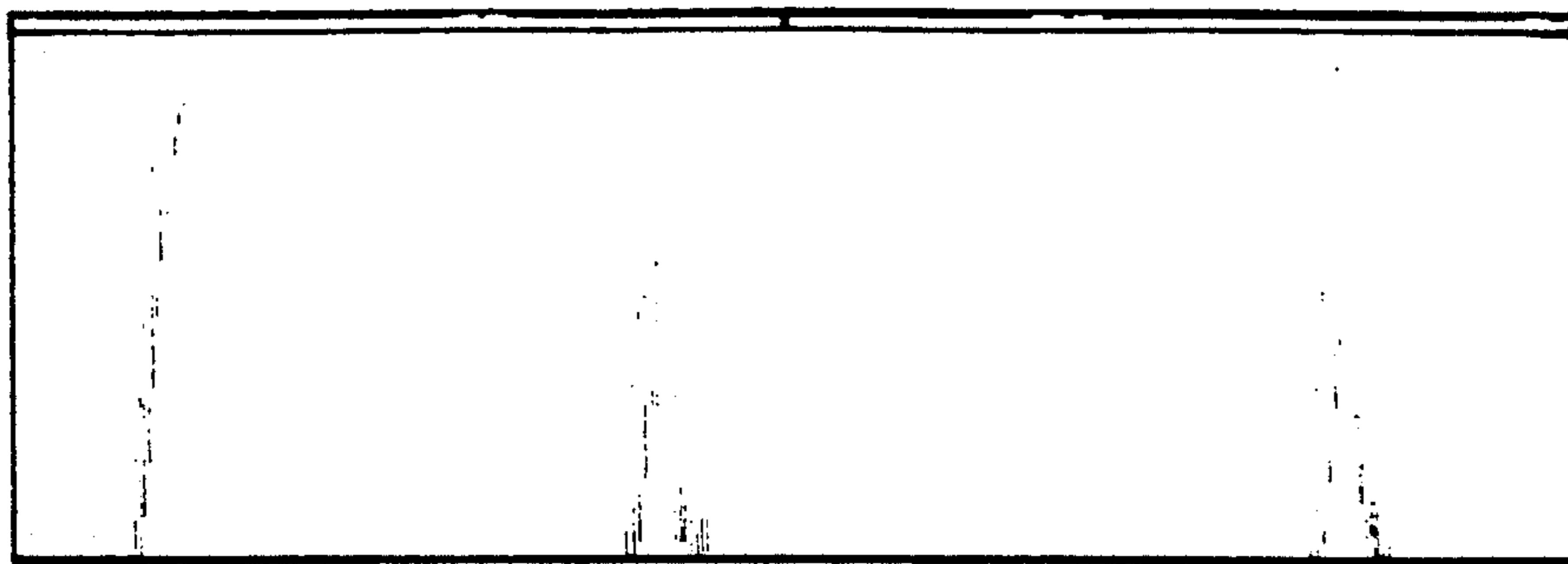


FIG. 11

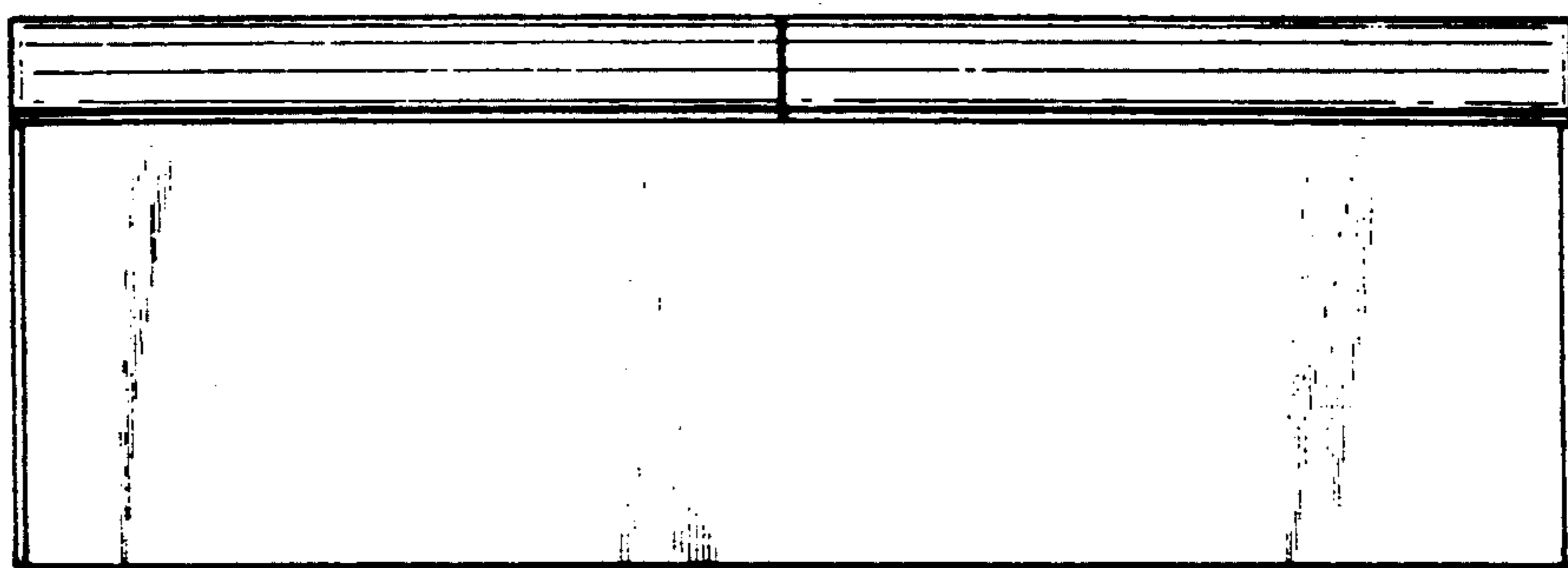


FIG. 12

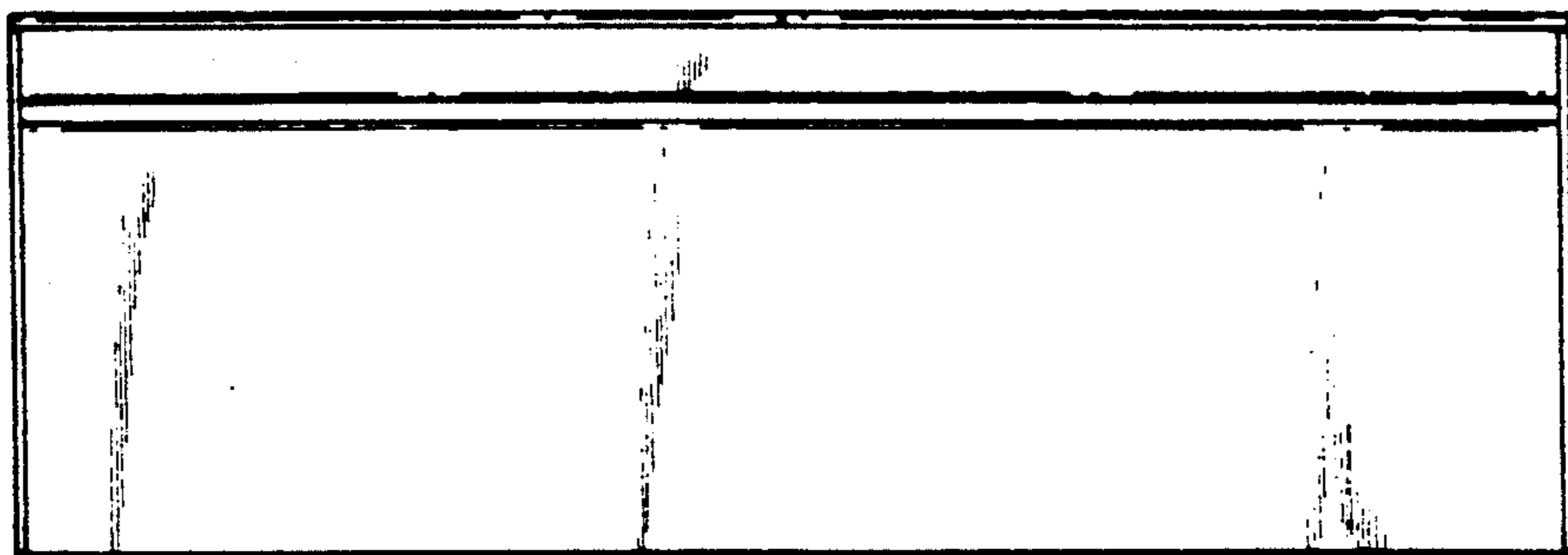


FIG. 13

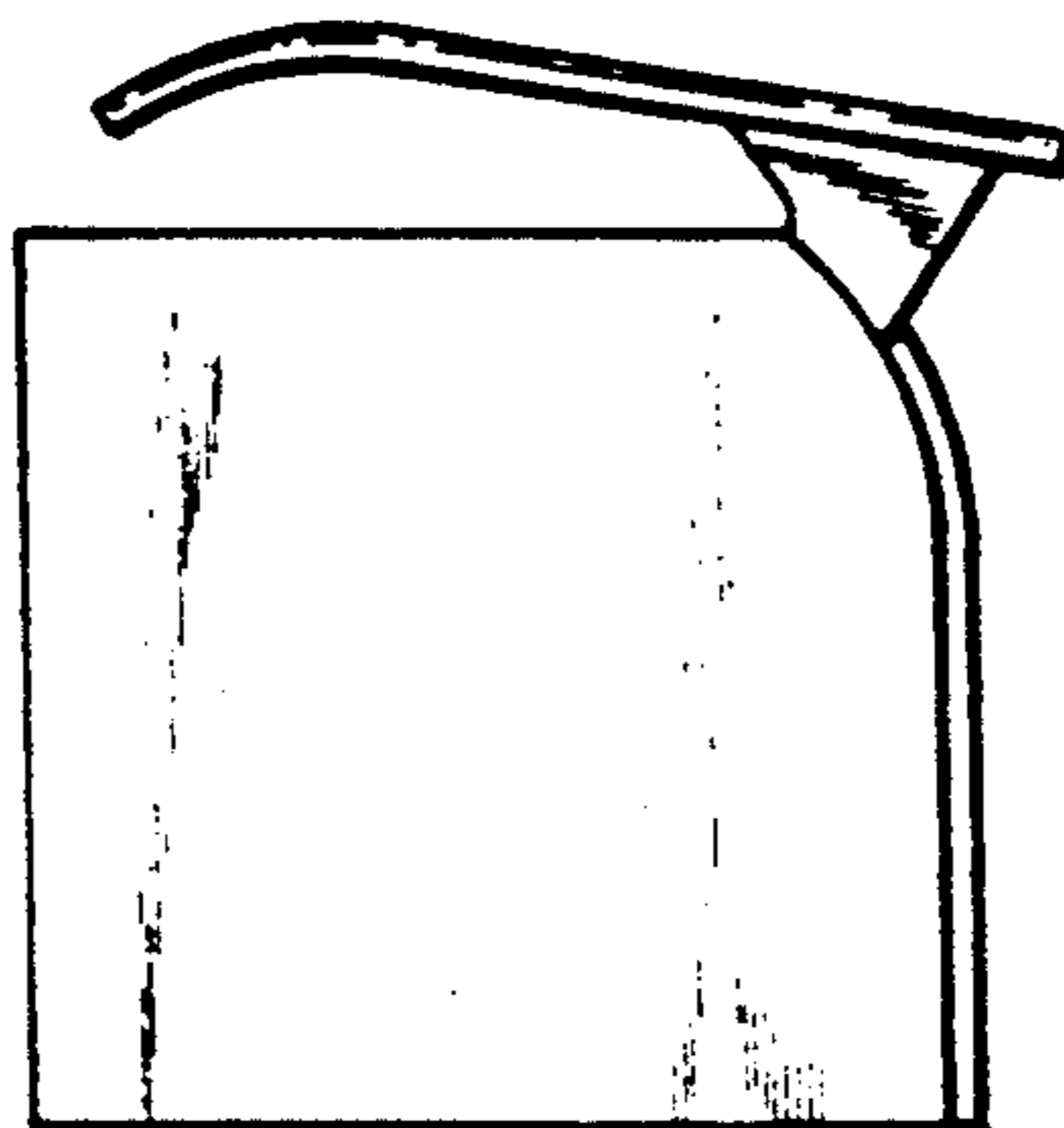


FIG. 14