



US00D339925S

United States Patent [19]

Farré-Escofet París

[11] Patent Number: Des. 339,925

[45] Date of Patent: ** Oct. 5, 1993

[54] BENCH

[75] Inventor: Emilio Farré-Escofet París,
Barcelona, Spain

[73] Assignee: Hijo de E. F. Escofet S.A., Barcelona,
Spain

[**] Term: 14 Years

[21] Appl. No.: 758,818

[22] Filed: Sep. 12, 1991

[30] Foreign Application Priority Data

Apr. 17, 1991 [ES] Spain 124.683

[52] U.S. Cl. D6/364; D6/375;
D6/381

[58] Field of Search D6/334, 364, 365, 372,
D6/374, 375, 381, 500, 501, 502; 297/232, 445,
457, DIG. 2

[56] References Cited

U.S. PATENT DOCUMENTS

D. 132,793	6/1942	Reiss	D6/364
D. 181,669	12/1957	Paul	D6/364
D. 227,205	6/1973	Moeckl	D6/372
D. 235,286	6/1975	Martinelli	D6/372
D. 239,345	3/1976	Keller	D6/375
D. 240,575	7/1976	Rinaldi	D6/372

D. 252,840	9/1979	Scholten	D6/375
D. 283,090	3/1986	Mulhauser	D6/372
D. 286,586	11/1986	Radford	D6/334
3,459,449	8/1969	Klausen	297/445
3,561,818	2/1971	Lohmeyer	297/457 X
3,944,280	3/1976	Keeler	297/457 X

OTHER PUBLICATIONS

Design, Aug. 1982, p. 39, Chair at top left.
J. D. Acrylics, Aug. 1983, p. 30, "S" Chair at top center.

Primary Examiner—Alan P. Douglas
Assistant Examiner—Gary D. Watson
Attorney, Agent, or Firm—Scully, Scott, Murphy & Presser

[57] CLAIM

The ornamental design for a bench, as shown and described.

DESCRIPTION

FIG. 1 is a rear perspective view of a bench showing my new design;
FIG. 2 is a front elevational view;
FIG. 3 is a rear elevational view;
FIG. 4 is a left end elevational view, the opposite end being a mirror image thereof;
FIG. 5 is a top plan view; and,
FIG. 6 is a bottom plan view thereof.

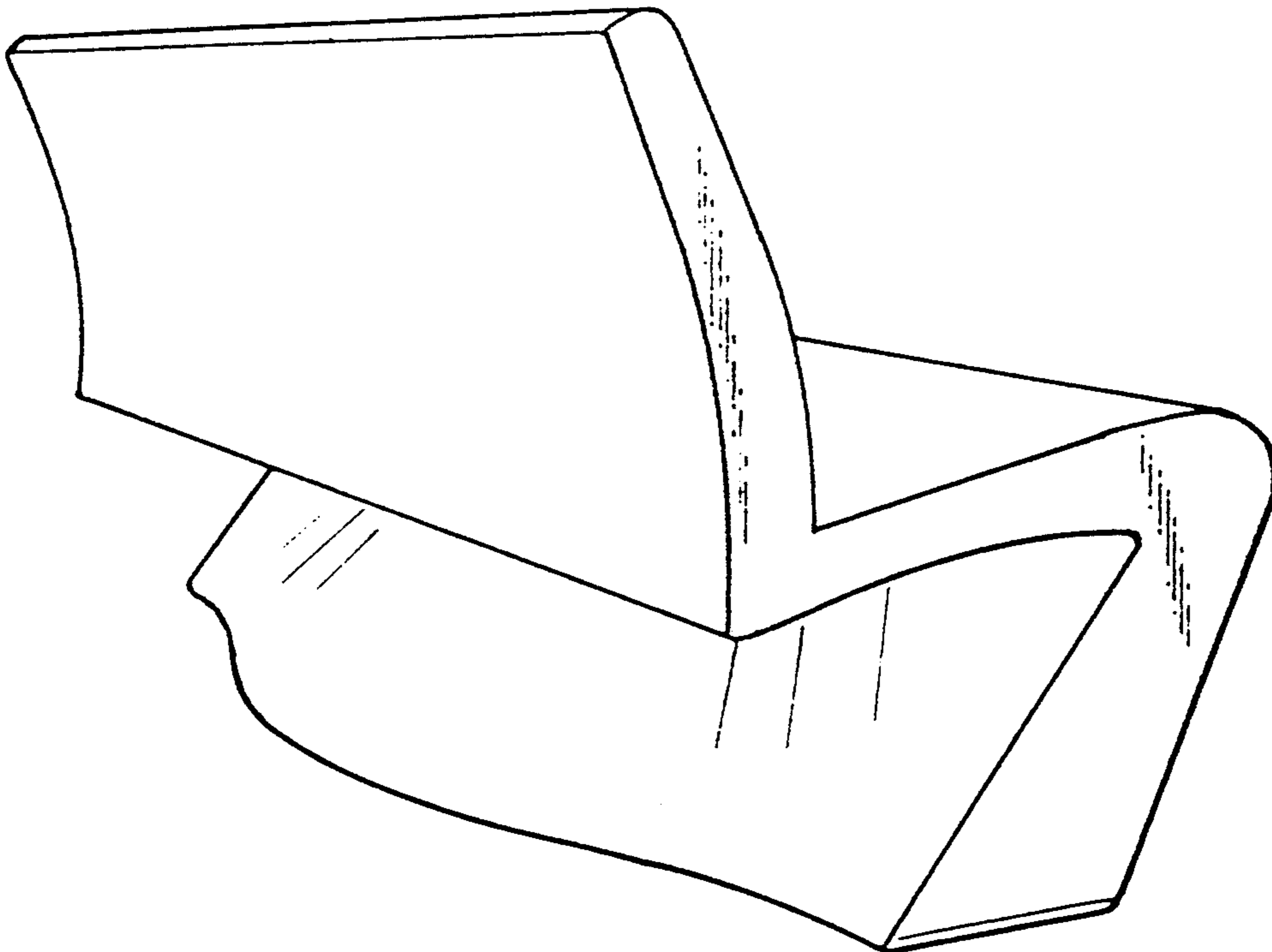


FIG. 1

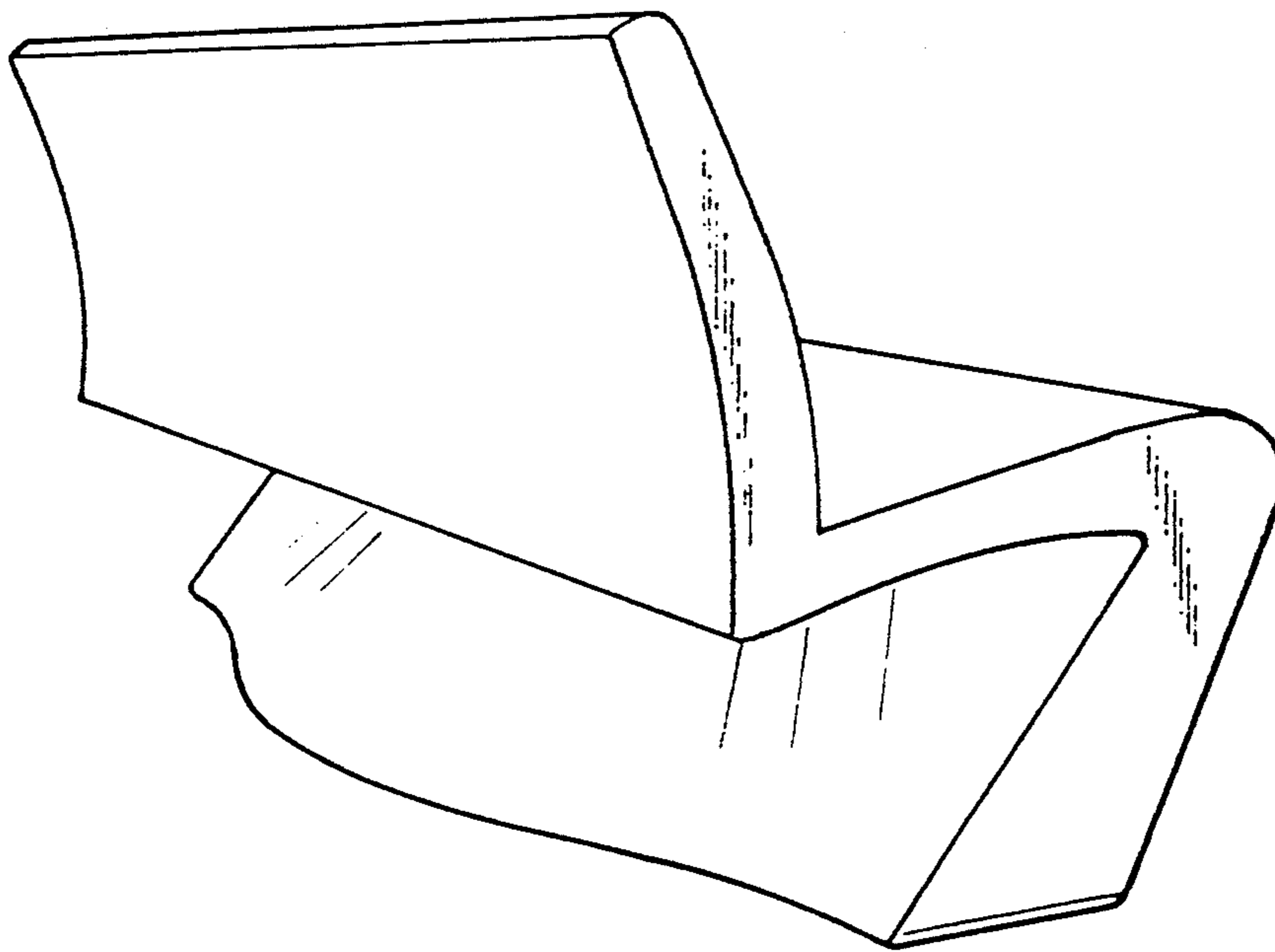


FIG. 2

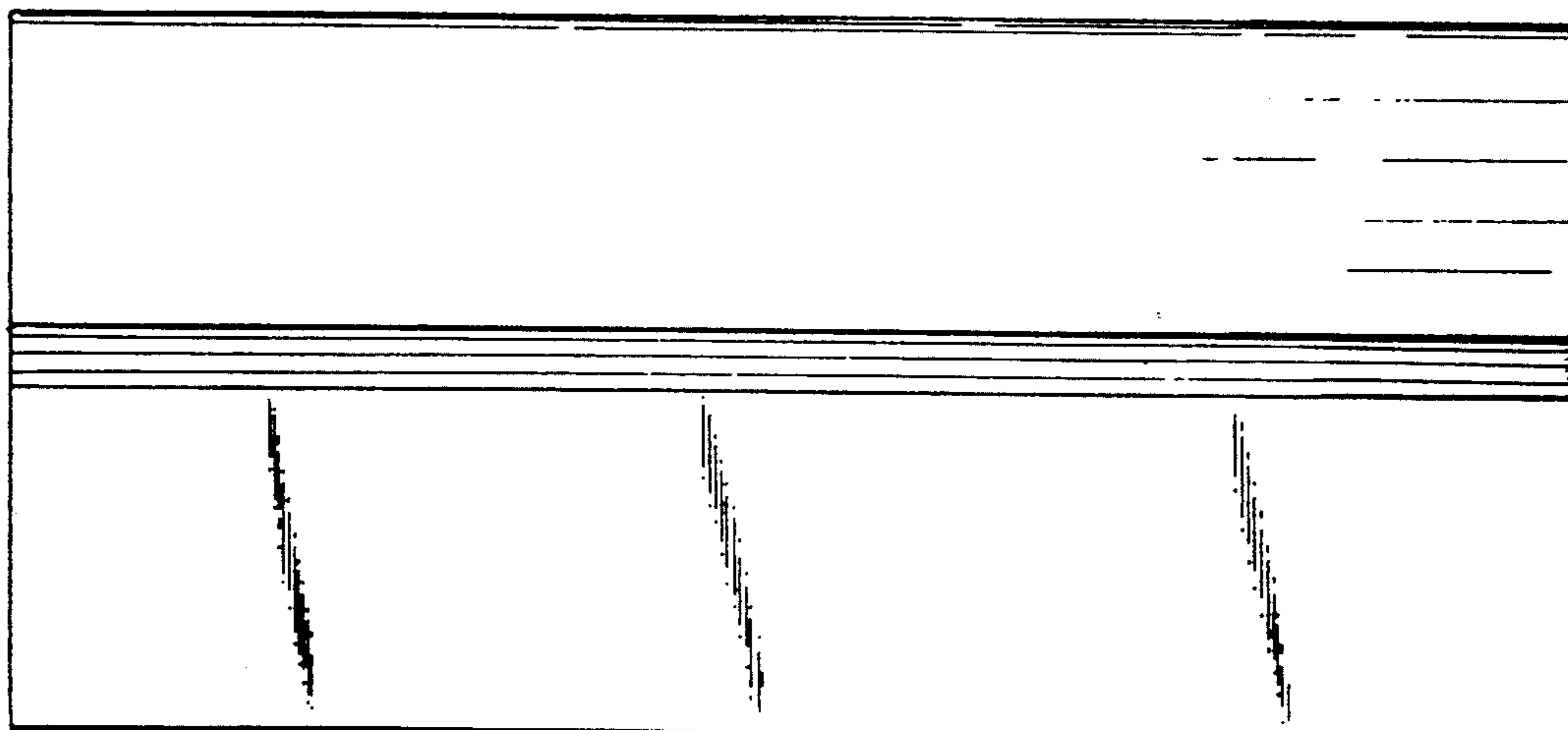


FIG. 3

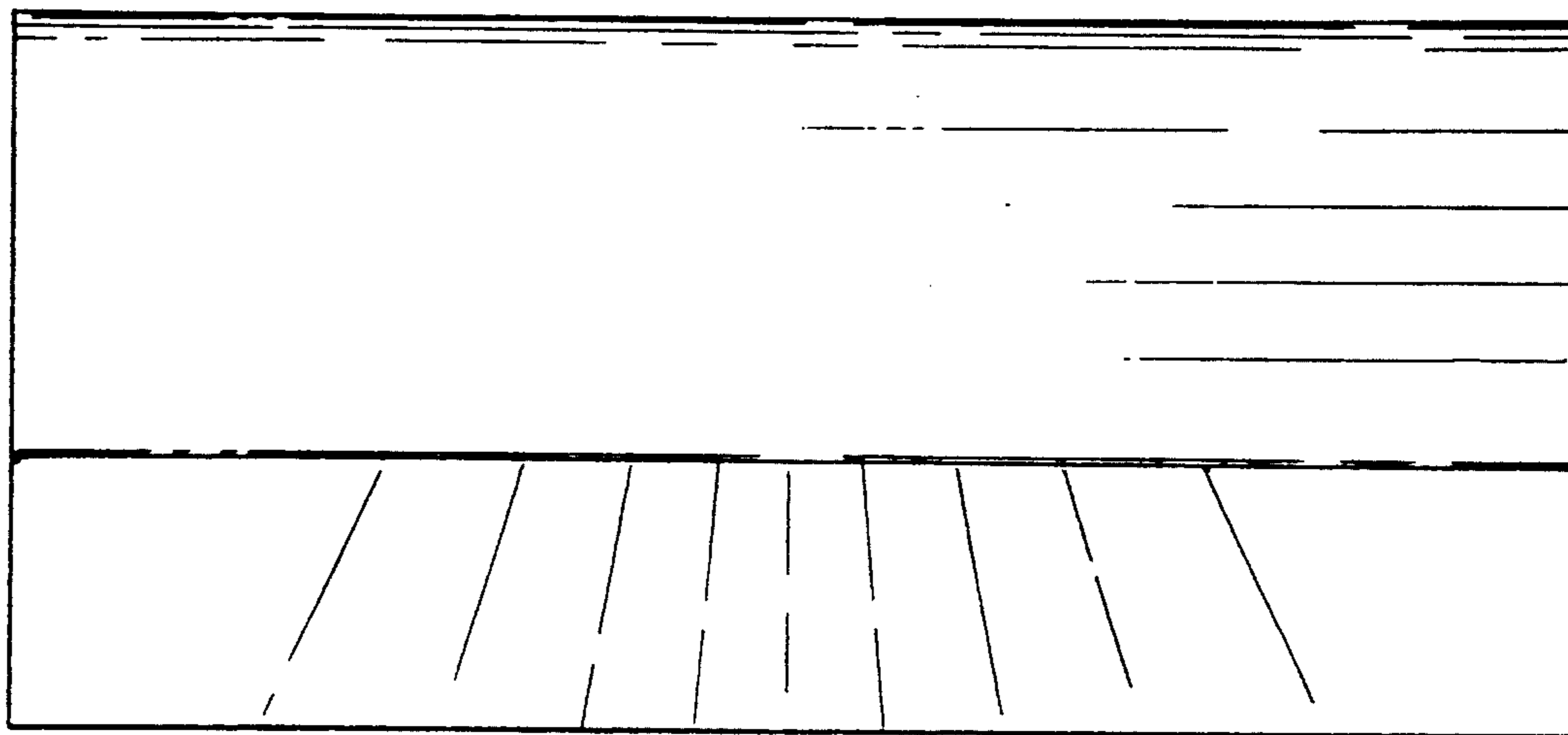


FIG. 4

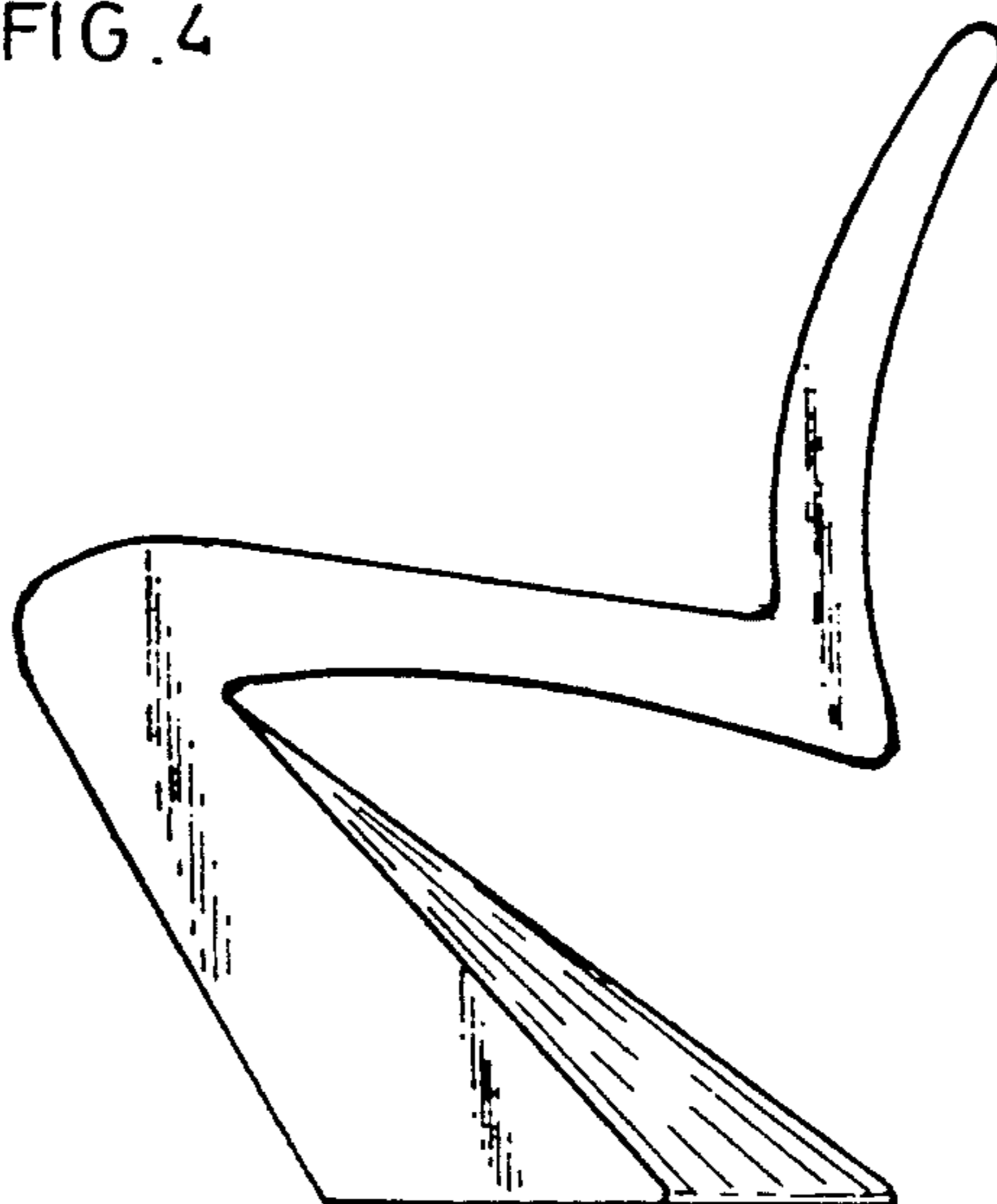


FIG. 5

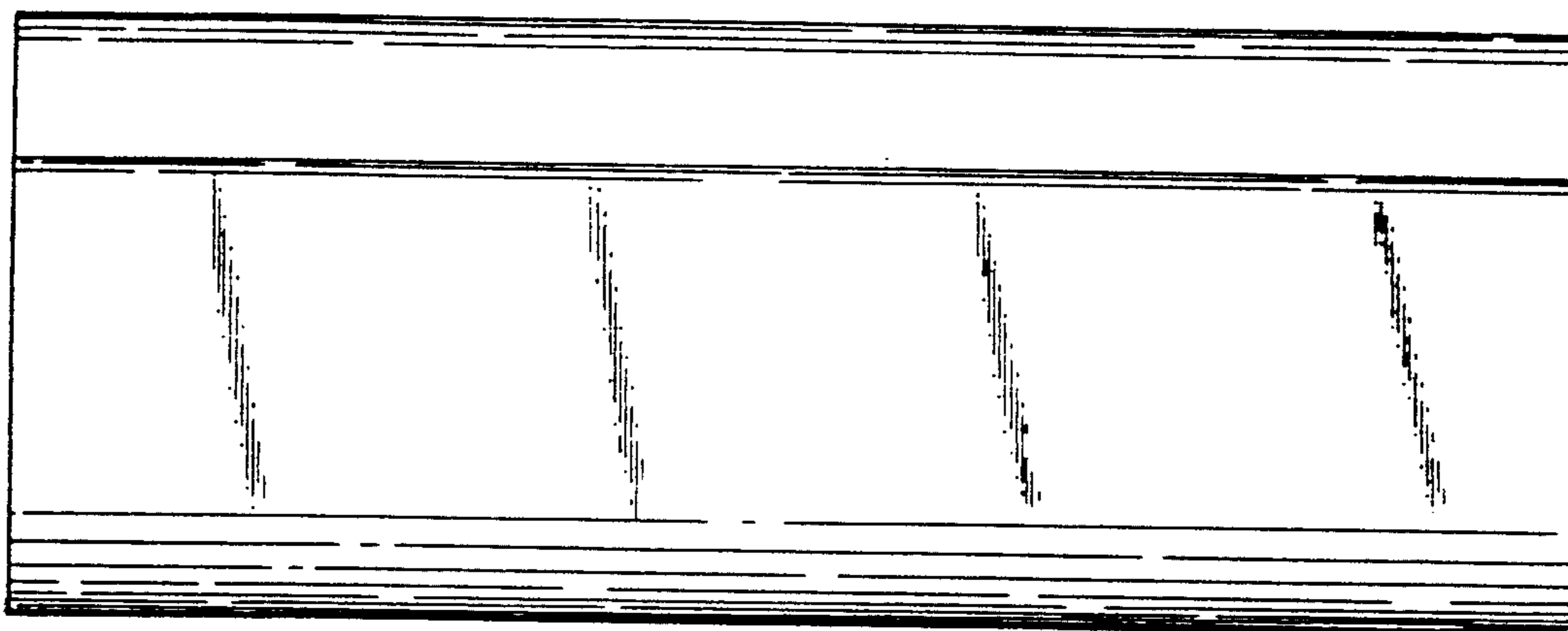


FIG. 6

