



US00D339924S

United States Patent [19]

[11] Patent Number: **Des. 339,924**

Fahnstrom et al.

[45] Date of Patent: **** Oct. 5, 1993**

[54] CHAIR

[75] Inventors: **Dale Fahnstrom**, Chicago, Ill.;
Michael McCoy, Bloomfield Hills,
Mich.; **Carl G. Magnusson**, New
York, N.Y.

[73] Assignee: **Westinghouse Electric Corp.**,
Pittsburgh, Pa.

[**] Term: **14 Years**

[21] Appl. No.: **463,806**

[22] Filed: **Jan. 11, 1990**

[52] U.S. Cl. **D6/366**

[58] Field of Search **D6/366; 297/DIG. 1,**
297/DIG. 2, DIG. 3, 183, 184, 192, 194, 357,
440, 468, 411, 415, 417, 418, 421

[56] References Cited

U.S. PATENT DOCUMENTS

D. 252,781	9/1979	Ball	D6/366
D. 260,205	8/1981	Buhk	D6/366
D. 282,221	1/1986	Platner	D6/366
D. 320,704	10/1991	Monesi	D6/366
3,947,068	3/1976	Buhk .	
4,285,544	8/1981	Zapf	297/440
4,754,364	6/1988	Speet et al. .	

OTHER PUBLICATIONS

Domus, Supplementary Issue, Dec. 1979, p. 28, "Chair"
left center of page.

Interiors, May 1988, p. 6, "Manfred Hermann Chair",
left center of page.

The Madison Cat., Oct. 1985, front cover, "The Madi-
son Chair," center of page.

"Moebel Interior Design", p. 1, published by Kon-
radin-Verlag Robert Kohlhammer GmbH Ltd, May,
1987.

Primary Examiner—Alan P. Douglas

Assistant Examiner—Monica A. Hannon

Attorney, Agent, or Firm—Carla J. Vrsansky

[57] CLAIM

An ornamental design for a chair, as shown and de-
scribed.

DESCRIPTION

FIG. 1 is a front perspective view of a chair showing
our new design;

FIG. 2 is a front elevational view thereof;

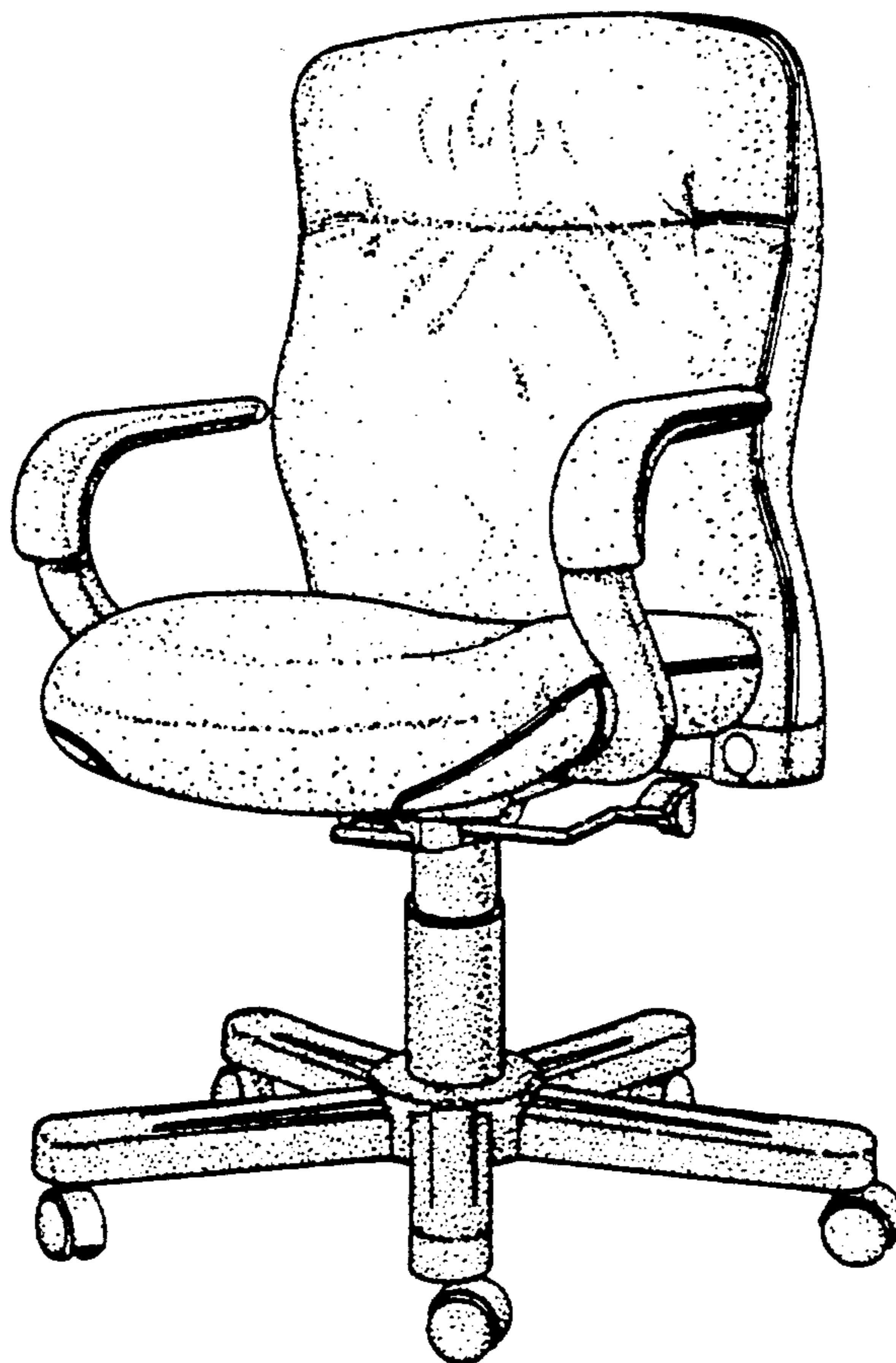
FIG. 3 is a right side elevational view thereof;

FIG. 4 is a rear elevational view thereof;

FIG. 5 is a left side elevational view thereof;

FIG. 6 is a top plan view thereof; and,

FIG. 7 is a bottom plan view thereof.



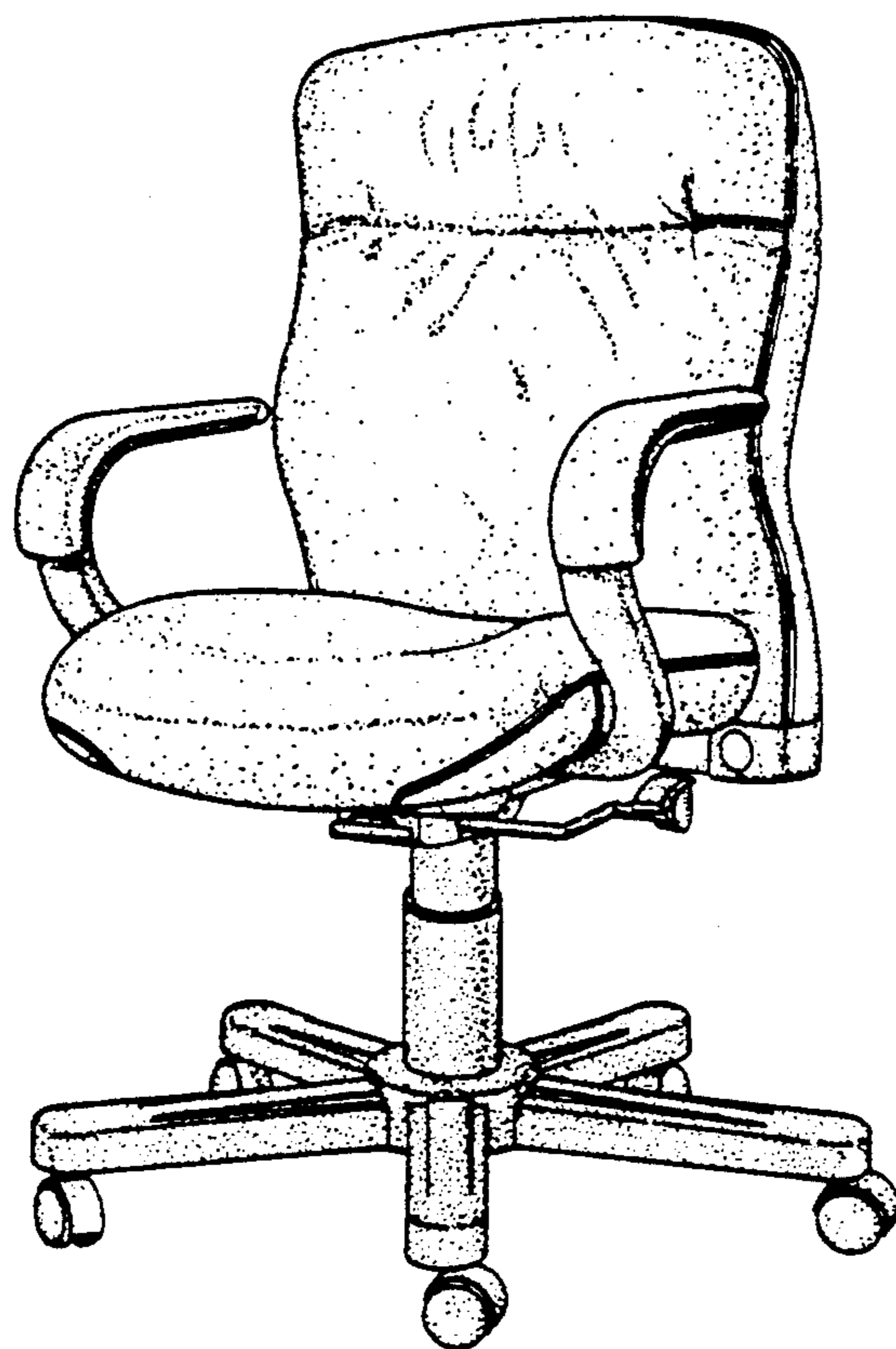


FIG. 1

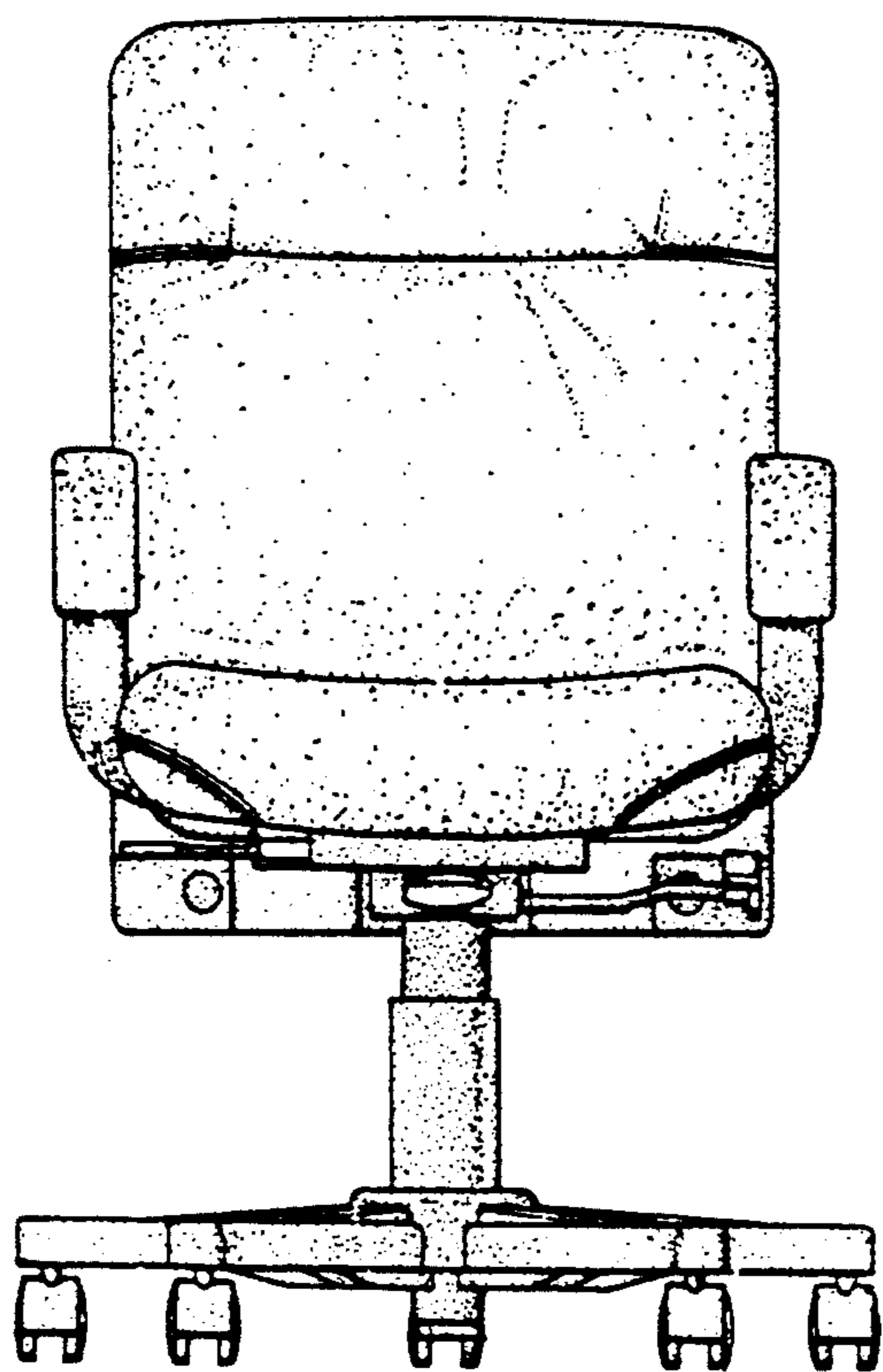


FIG. 2

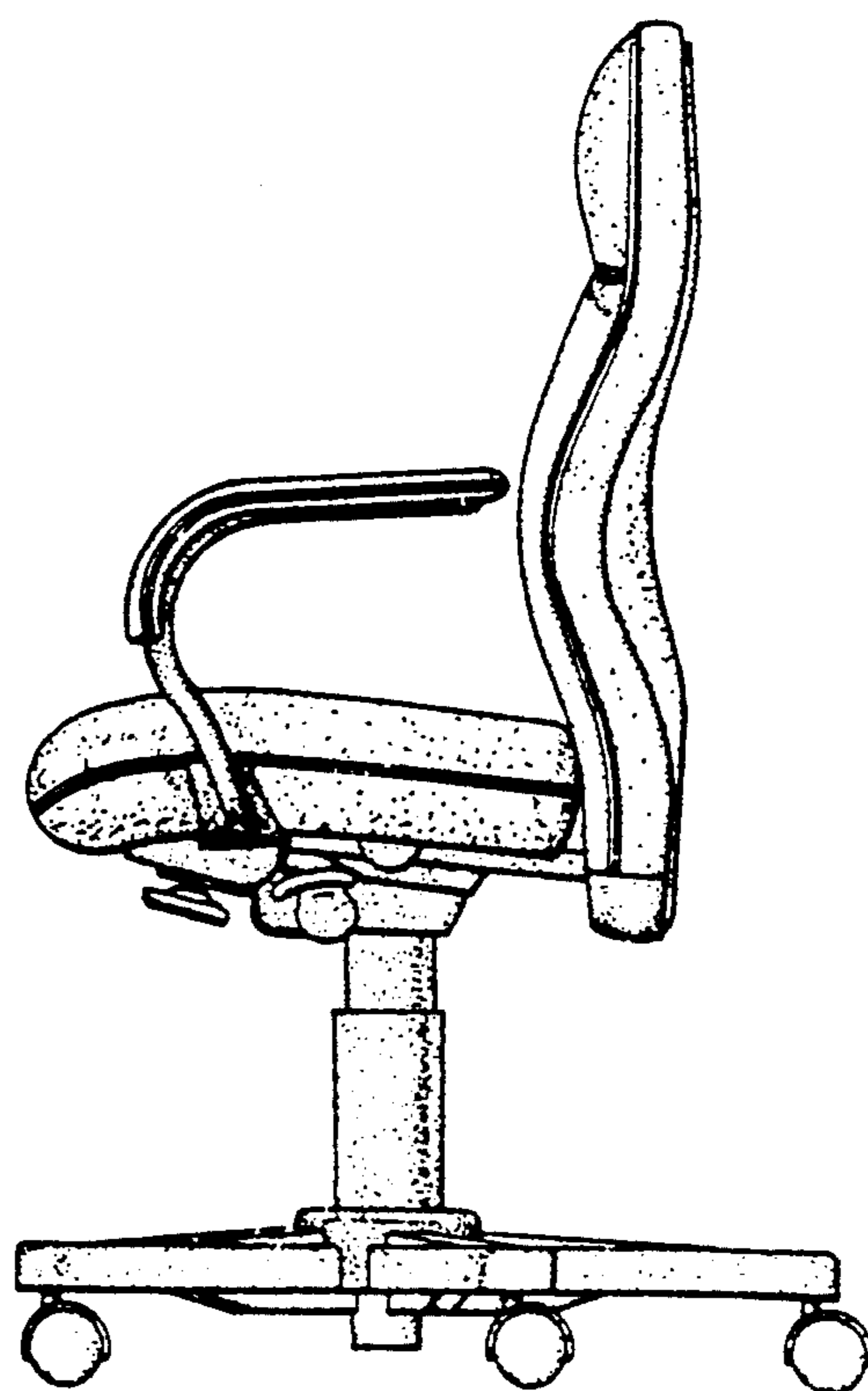


FIG. 3

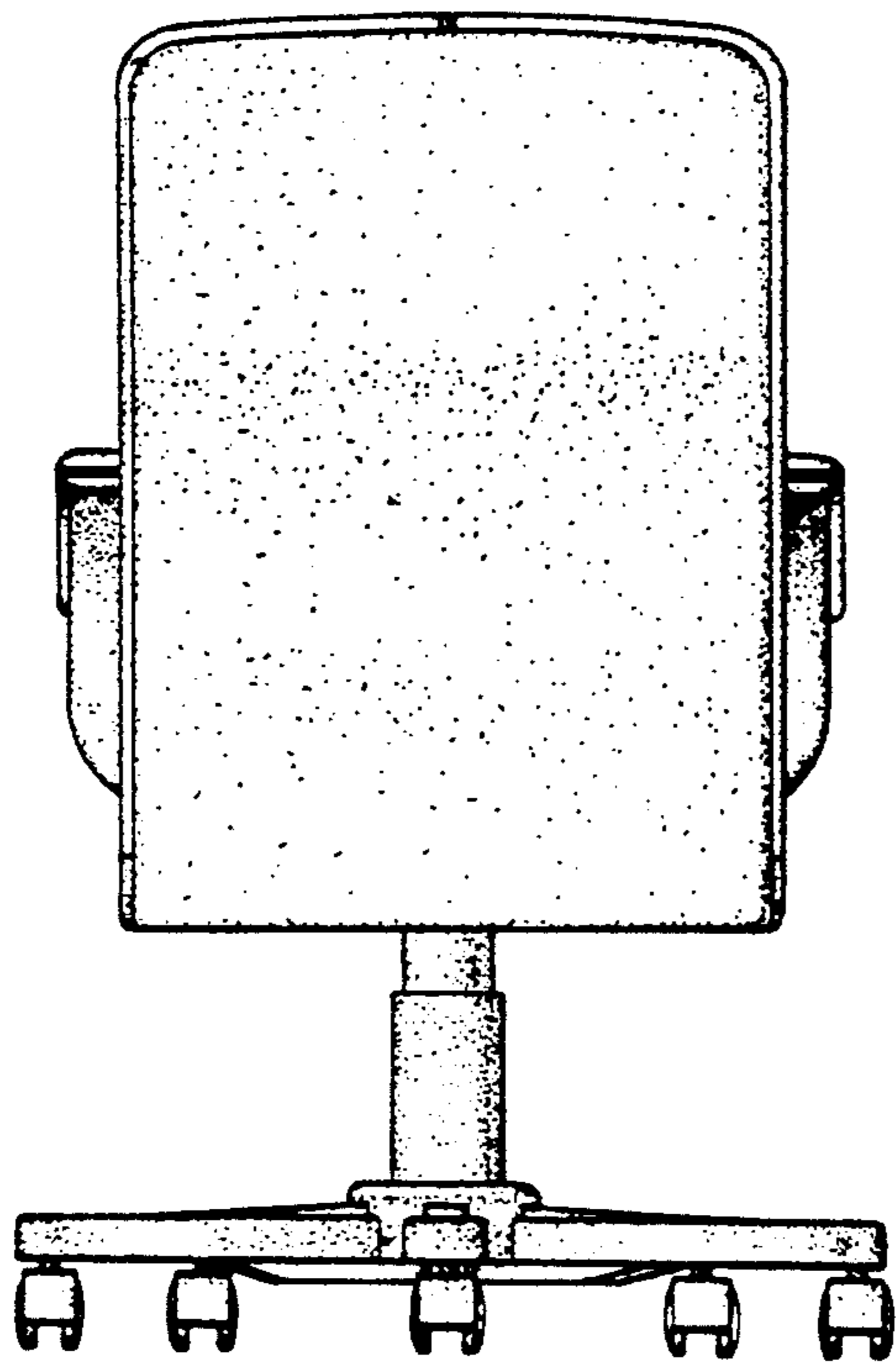


FIG. 4

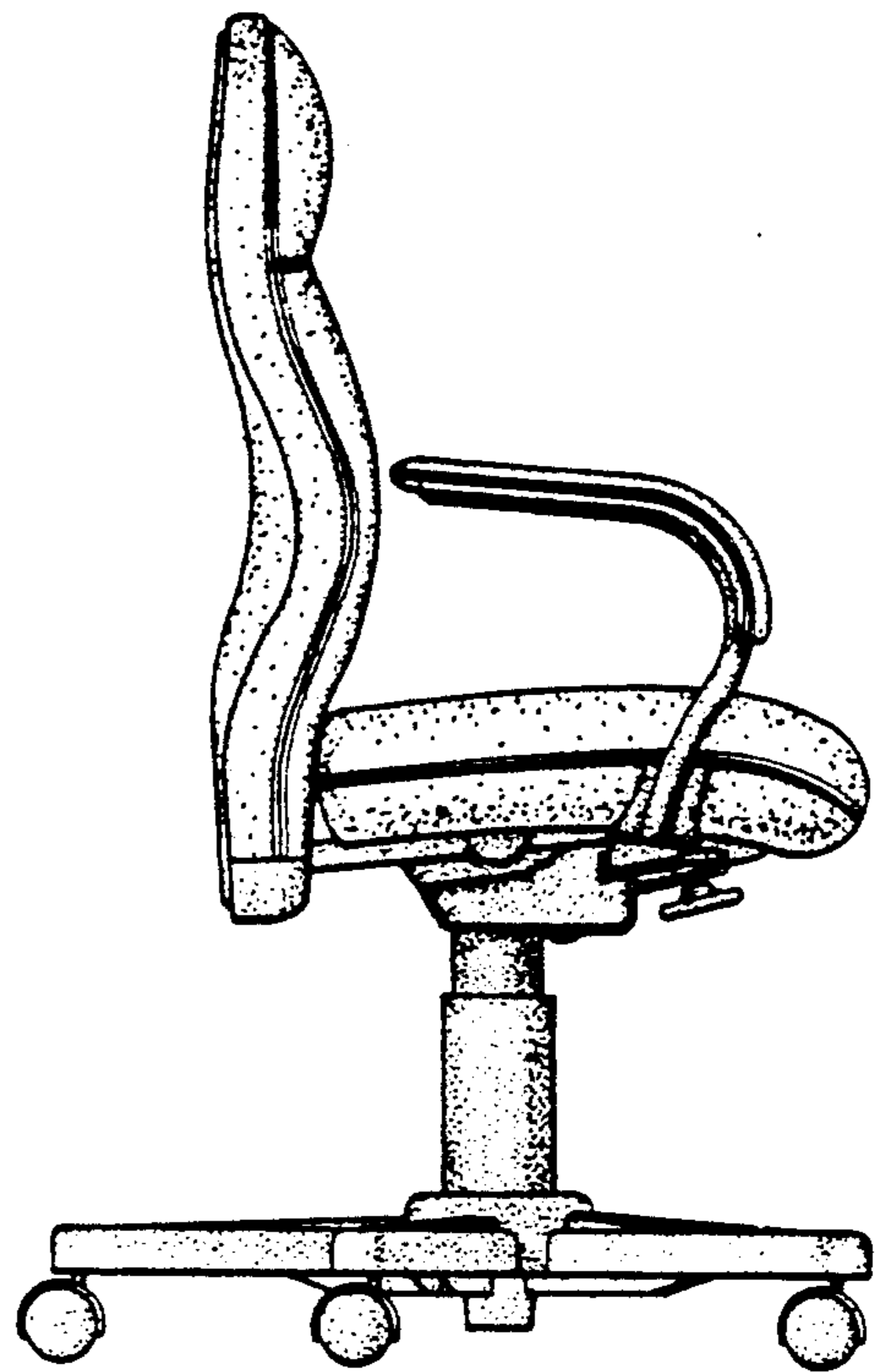


FIG. 5

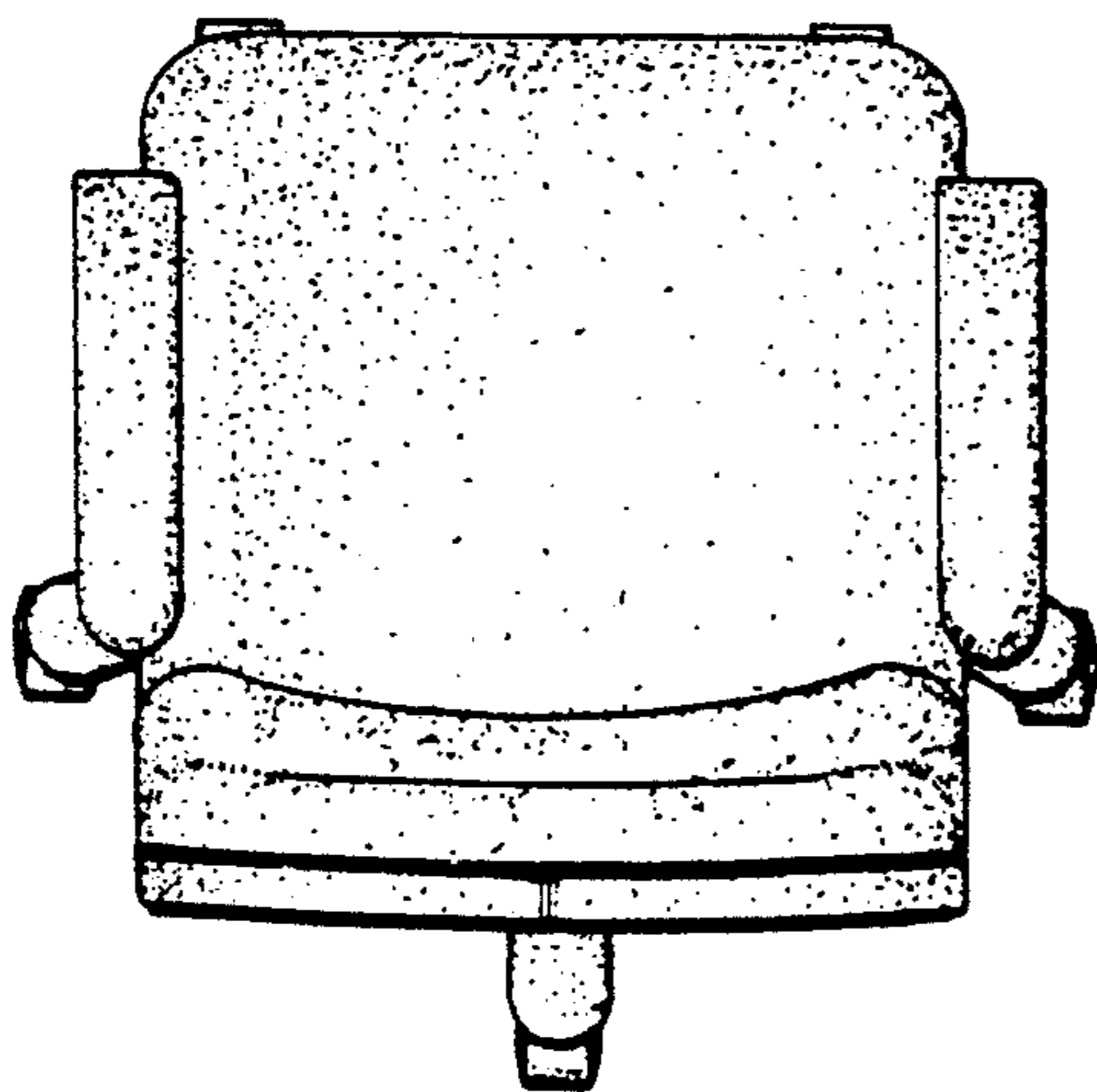


FIG. 6

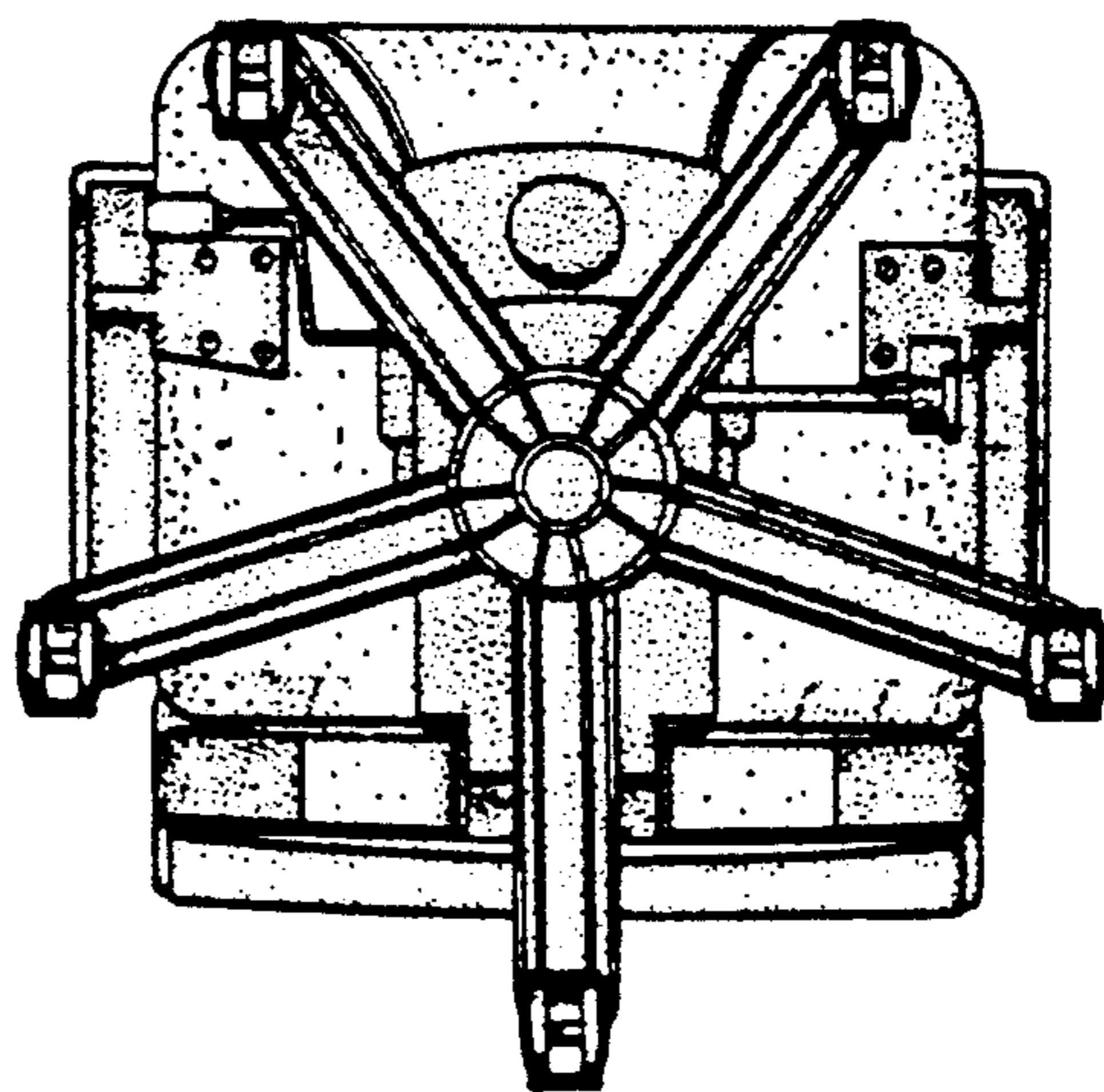


FIG. 7