



US00D339921S

United States Patent [19]

[11] Patent Number: **Des. 339,921**

Nourse

[45] Date of Patent: **** Oct. 5, 1993**

[54] MIRROR

[75] Inventor: **Aagie M. T. Nourse**, Fort Worth, Tex.

[73] Assignee: **BBA Holdings, Inc.**, Wilmington, Del.

[**] Term: **14 Years**

[21] Appl. No.: **803,362**

[22] Filed: **Dec. 6, 1991**

[52] U.S. Cl. **D6/300**

[58] Field of Search **D6/300-314, D6/492, 494; 40/152, 152.1, 152.2, 156, 158.1, 159; D11/132, 133**

D. 232,894	9/1974	Dillen	D6/494
1,802,999	4/1931	Budd	40/152
1,809,786	6/1931	Le Jeune	40/152
1,959,988	5/1934	Prew	40/152
2,538,386	1/1951	Schneider	40/152

Primary Examiner—Alan P. Douglas
Assistant Examiner—J. E. Seeger
Attorney, Agent, or Firm—Haynes and Boone

[57] CLAIM

The ornamental design for a mirror, as shown and described.

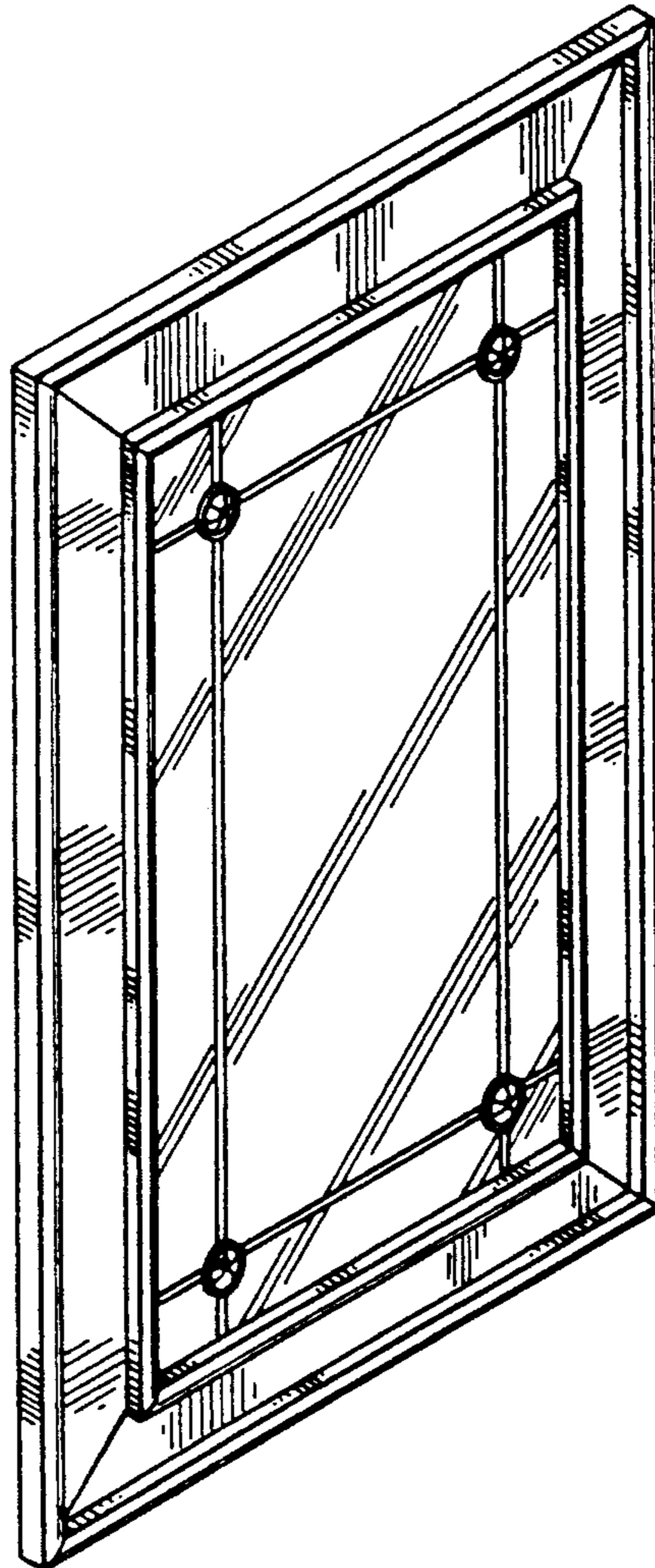
DESCRIPTION

FIG. 1 is a perspective view of the (mirror) showing my new design;
FIG. 2 is a front elevational view thereof;
FIG. 3 is a side elevational view (taken from the right side) thereof;
FIG. 4 is a top plan view thereof;
FIG. 5 is a cross-sectional view taken along line 5—5 of FIG. 2; and,
FIG. 6 is a rear view, thereof.

[56] References Cited

U.S. PATENT DOCUMENTS

D. 92,205	5/1934	Prew	D6/300
D. 112,409	11/1938	Golden	D6/311
D. 205,771	9/1966	Spiselman	D6/311
D. 212,236	9/1968	Merillat	D6/494



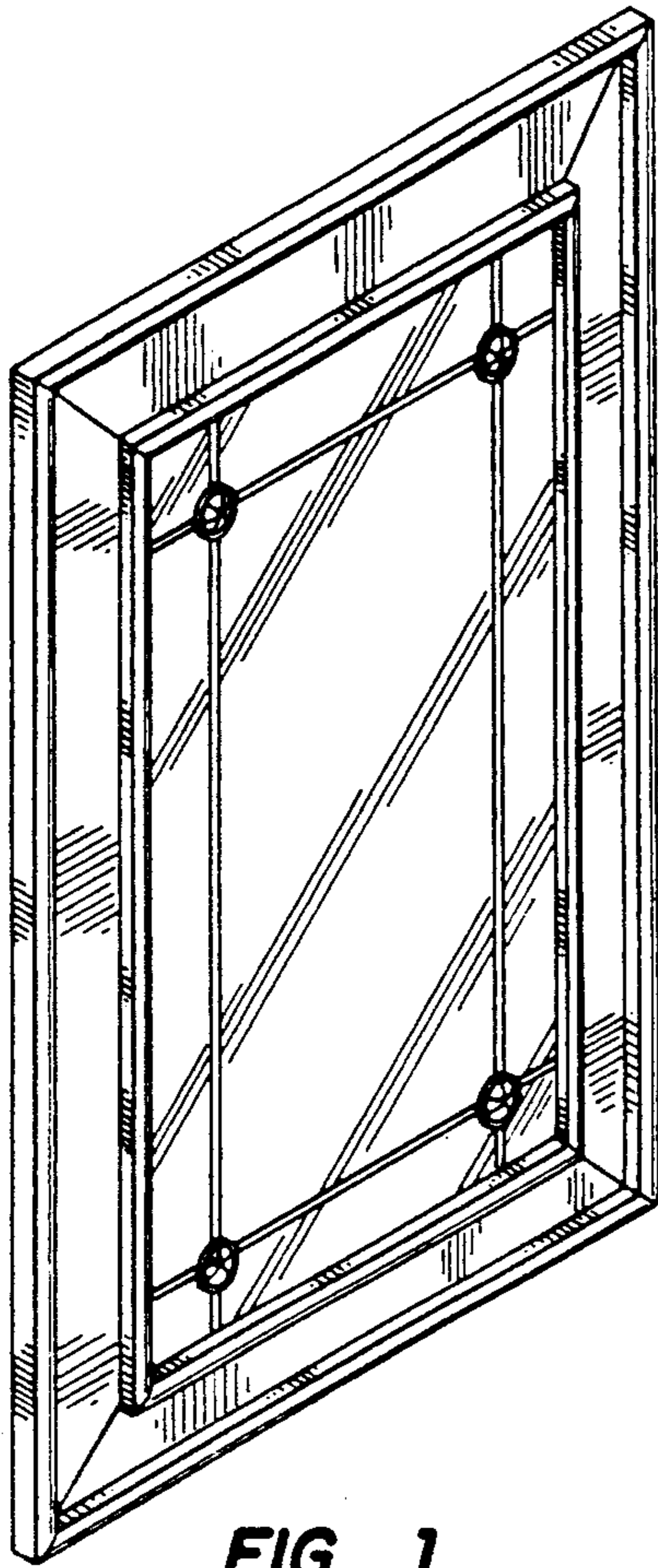


FIG. 1

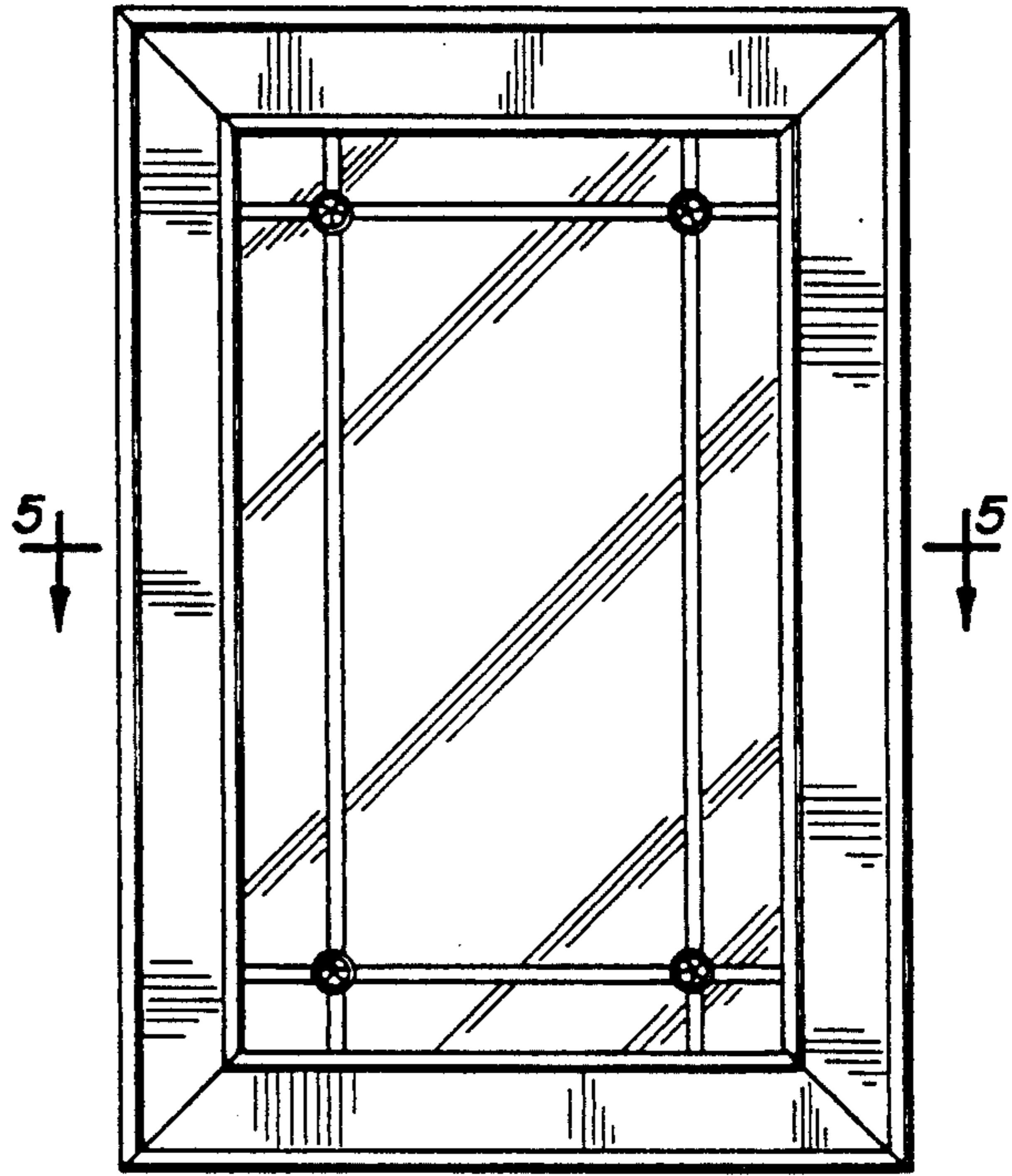


FIG. 2



FIG. 3



FIG. 4

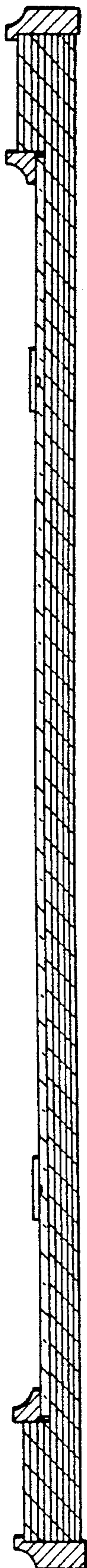


FIG. 5

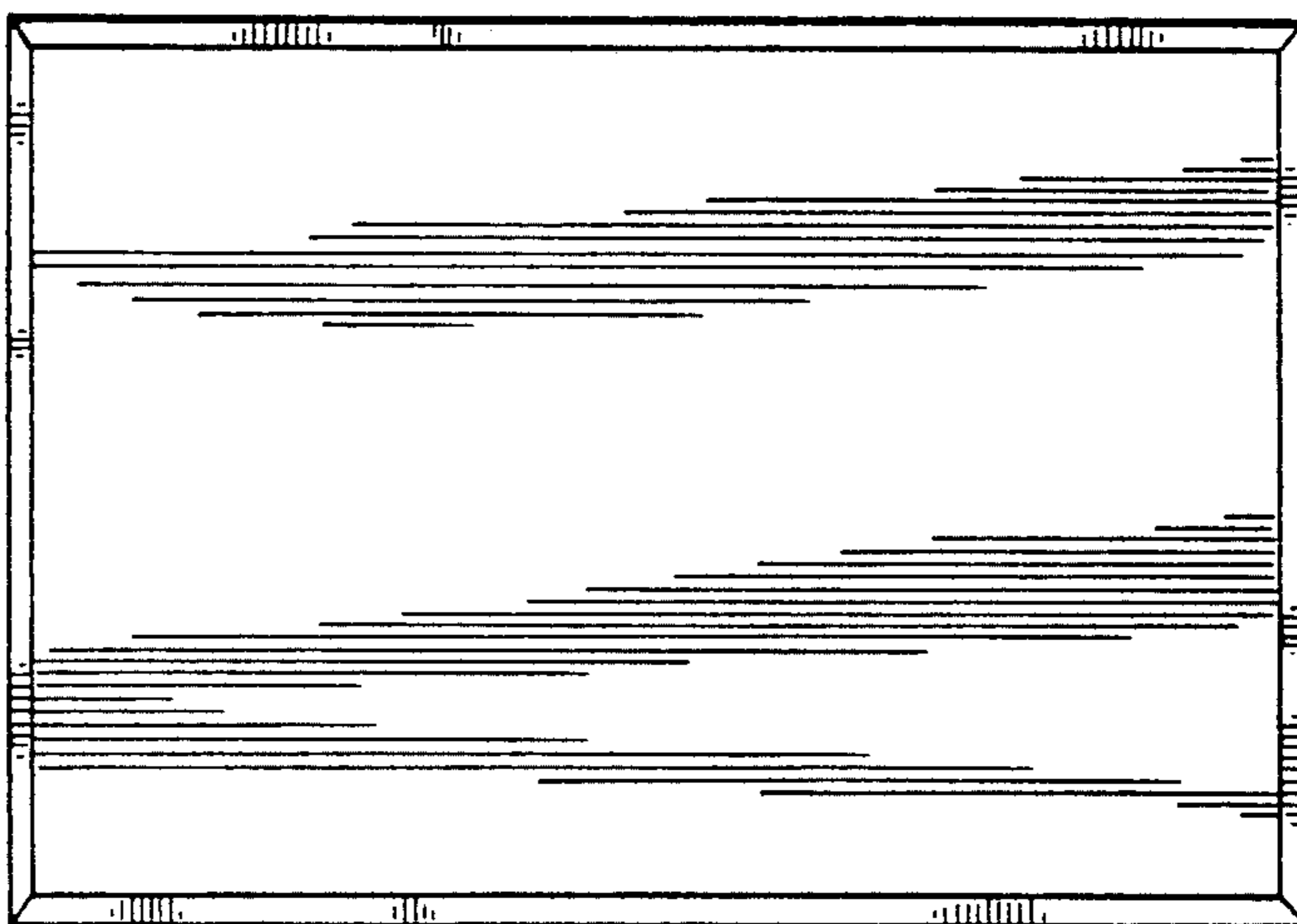


FIG. 6