



US00D339911S

United States Patent [19]

[11] Patent Number: **Des. 339,911**

Kooistra

[45] Date of Patent: **** Oct. 5, 1993**

[54] PLEATING MACHINE

[56]

References Cited

U.S. PATENT DOCUMENTS

[76] Inventor: **Tjeerd J. Kooistra**, 356 Marion Road, North Plympton, Adelaide 5037 South Australia, Australia

2,425,247	8/1947	Kelly	223/28
2,632,495	3/1953	Agee	223/28
4,323,021	4/1982	Durand	223/32
4,911,342	3/1990	Etheridge et al.	223/32

[**] Term: **14 Years**

FOREIGN PATENT DOCUMENTS

0450913	8/1949	Italy	223/28
---------	--------	-------	--------

[21] Appl. No.: **561,666**

Primary Examiner—Bernard Ansher
Assistant Examiner—Sandra Morris
Attorney, Agent, or Firm—Bruce L. Adams; Van C. Wilks

[22] Filed: **Aug. 2, 1990**

[57] CLAIM

The ornamental design for a pleating machine, as shown and described.

[30] Foreign Application Priority Data

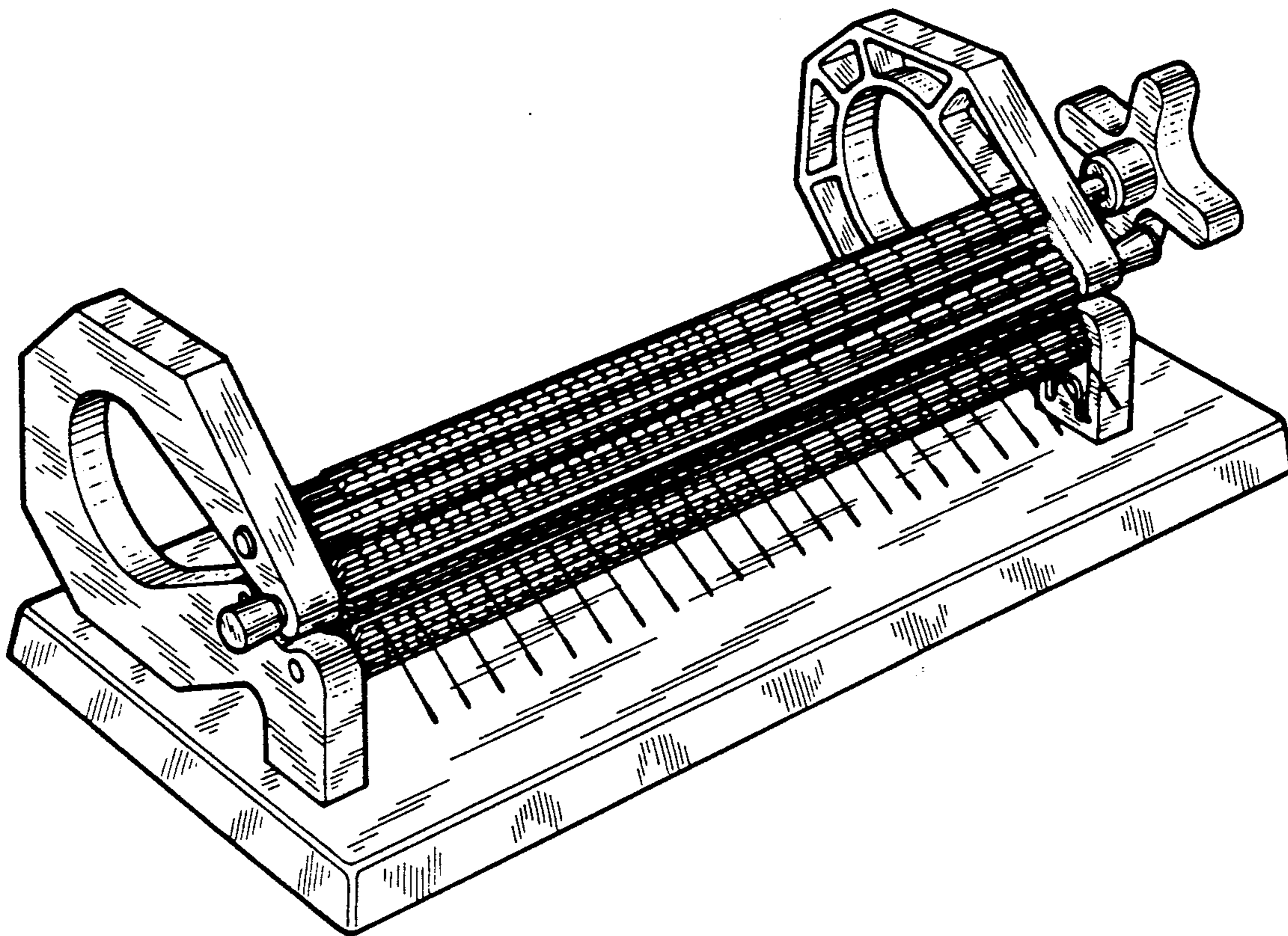
Mar. 28, 1990 [AU] Australia 935/90

[52] U.S. Cl. **D3/18; D15/66**

[58] Field of Search D15/10, 11, 23, 26, D15/27, 28; D3/18; 223/28, 32; 112/132, 133, 174

DESCRIPTION

FIG. 1 is a front left perspective view of a pleating machine showing my new design; FIG. 2 is a rear right perspective view thereof; and, FIG. 3 is a bottom left perspective view thereof.



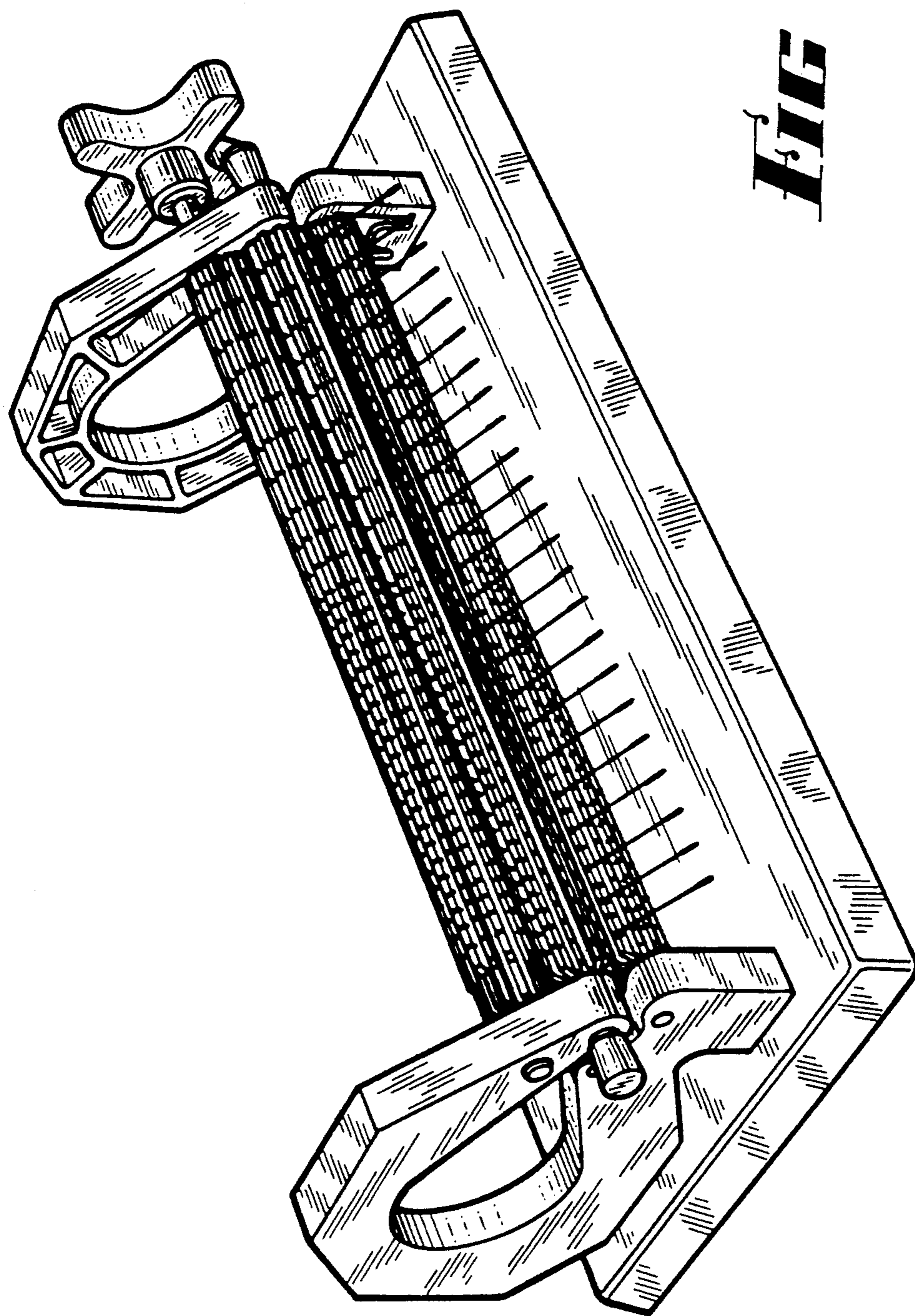
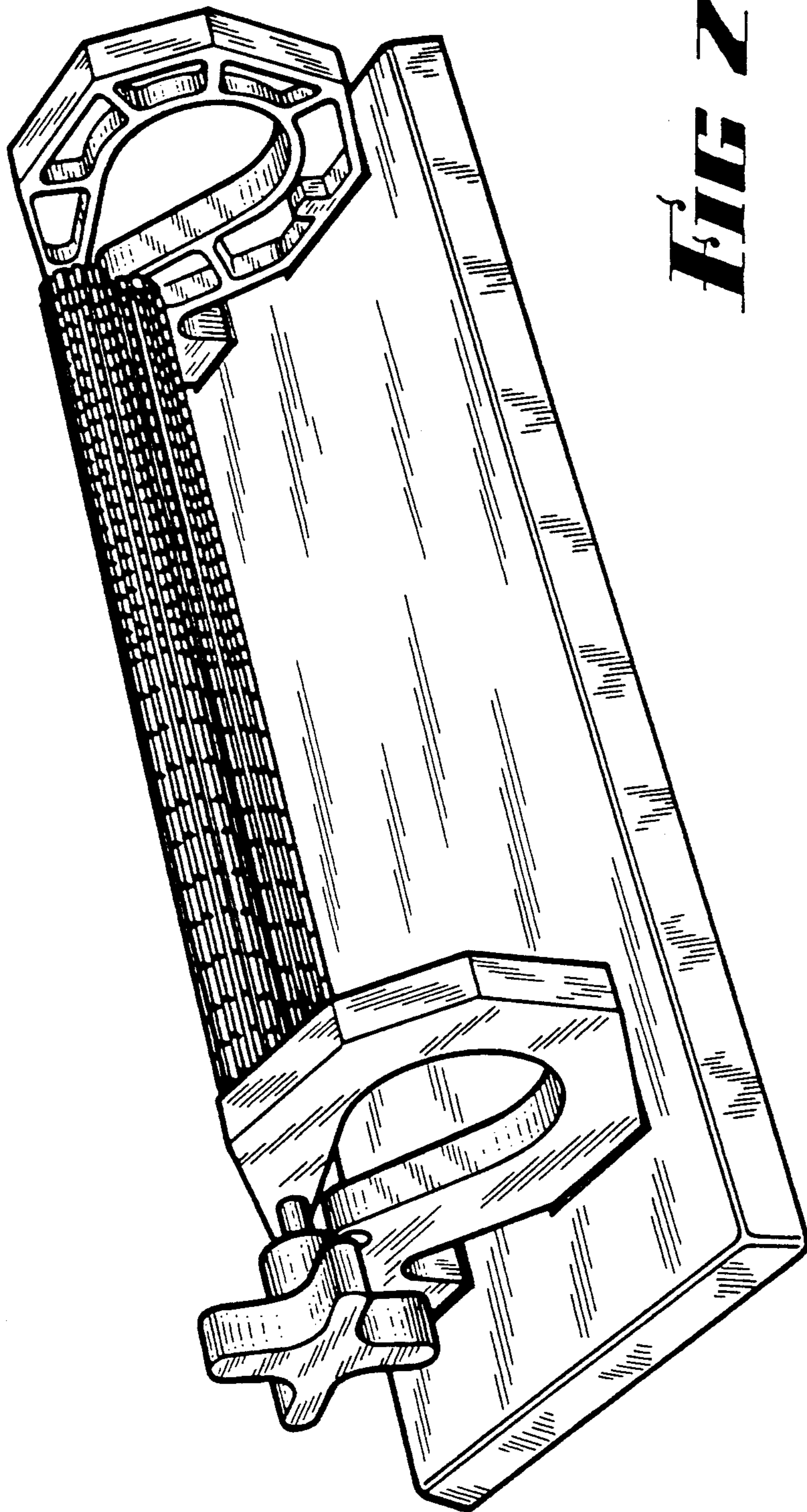


FIG 1



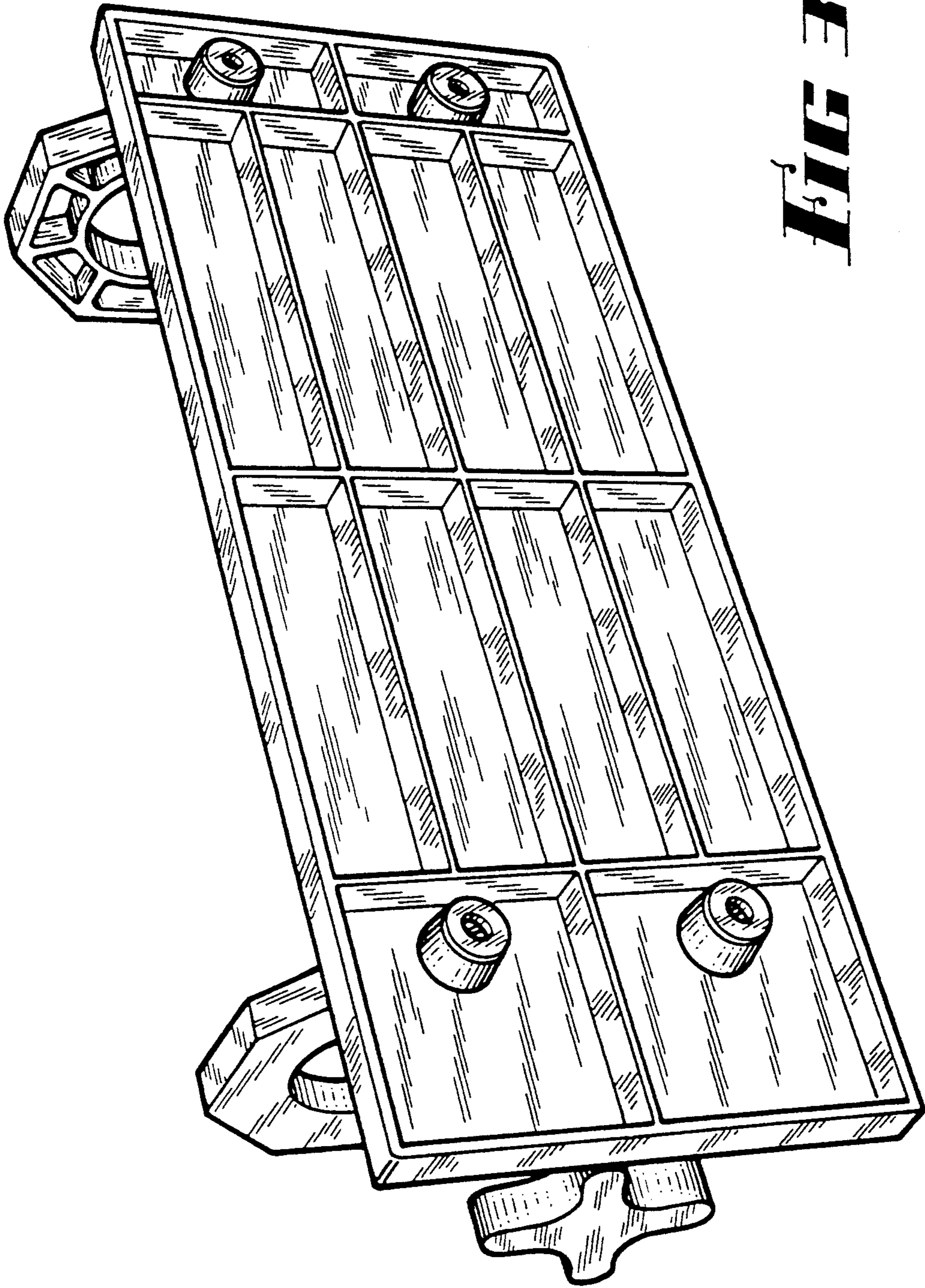


FIG 3