



US00D339910S

United States Patent [19]
Flanagan

[11] **Patent Number: Des. 339,910**

[45] **Date of Patent: ** Oct. 5, 1993**

[54] **UV BLOCKING BEACH UMBRELLA**

[76] Inventor: **Walter T. Flanagan**, 80-09 35th Ave.
#E-16, Jackson Heights, N.Y. 11372

[**] Term: **14 Years**

[21] Appl. No.: **726,550**

[22] Filed: **Jul. 8, 1991**

[52] U.S. Cl. **D3/6; D11/55**

[58] Field of Search **D3/3-7,**
D3/14, 15; D11/55; 135/15.1, 16, 17, 18, 19,
19.5, 25.4, 33.71, 910

[56] **References Cited**

U.S. PATENT DOCUMENTS

D. 101.773	11/1936	Hanna	D3/6
2.783.061	2/1957	Owen	D11/55 X
4.327.520	5/1982	Saxby et al.	D3/5 X
4.523.601	6/1985	Grady	135/22
4.807.655	2/1989	Robertson	155/22
4.836.231	6/1989	Peterson	

FOREIGN PATENT DOCUMENTS

584016	1/1977	Switzerland	135/910
--------	--------	-------------	-------	---------

OTHER PUBLICATIONS

Hardware Age, Oct. 15, 1971, p. 76—"Mr. Smile"
Waste Basket at center.

Primary Examiner—Louis S. Zarfes

Attorney, Agent, or Firm—Terry M. Gernstein

[57] **CLAIM**

The ornamental design for a uv blocking beach umbrella, as shown and described.

DESCRIPTION

FIG. 1 is a perspective view of the uv blocking beach umbrella embodying the design of the present invention;

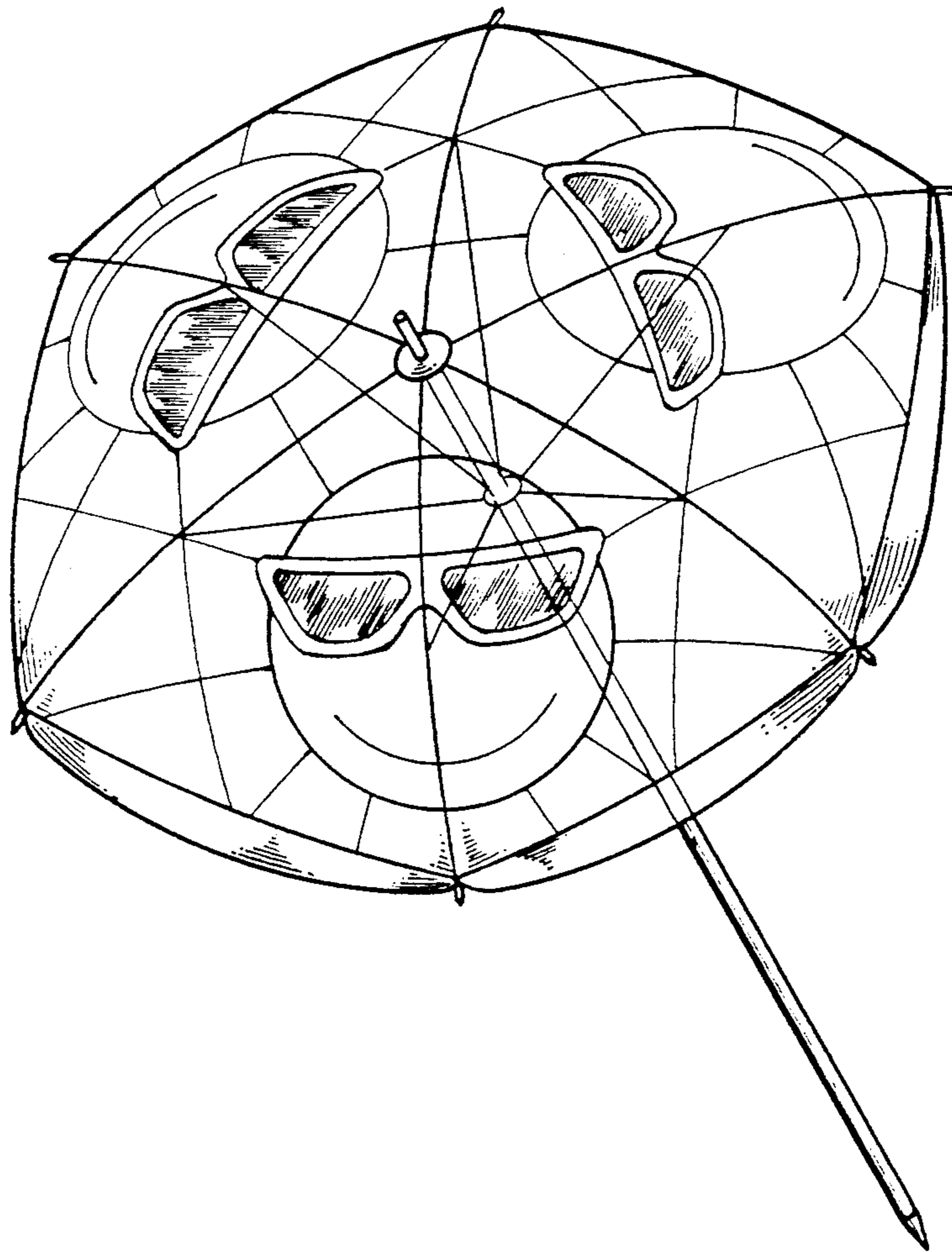
FIG. 2 is a front elevational view thereof, the rear being a mirror image of the front shown in FIG. 2;

FIG. 3 is a side elevational view thereof, the side opposite being a mirror image of the side shown in FIG. 3.

FIG. 4 is a top plan view thereof;

FIG. 5 is a bottom view thereof; and,

FIG. 6 is a typical elevational view thereof in the closed condition, all elevational views being identical to FIG. 6 when the device is closed.



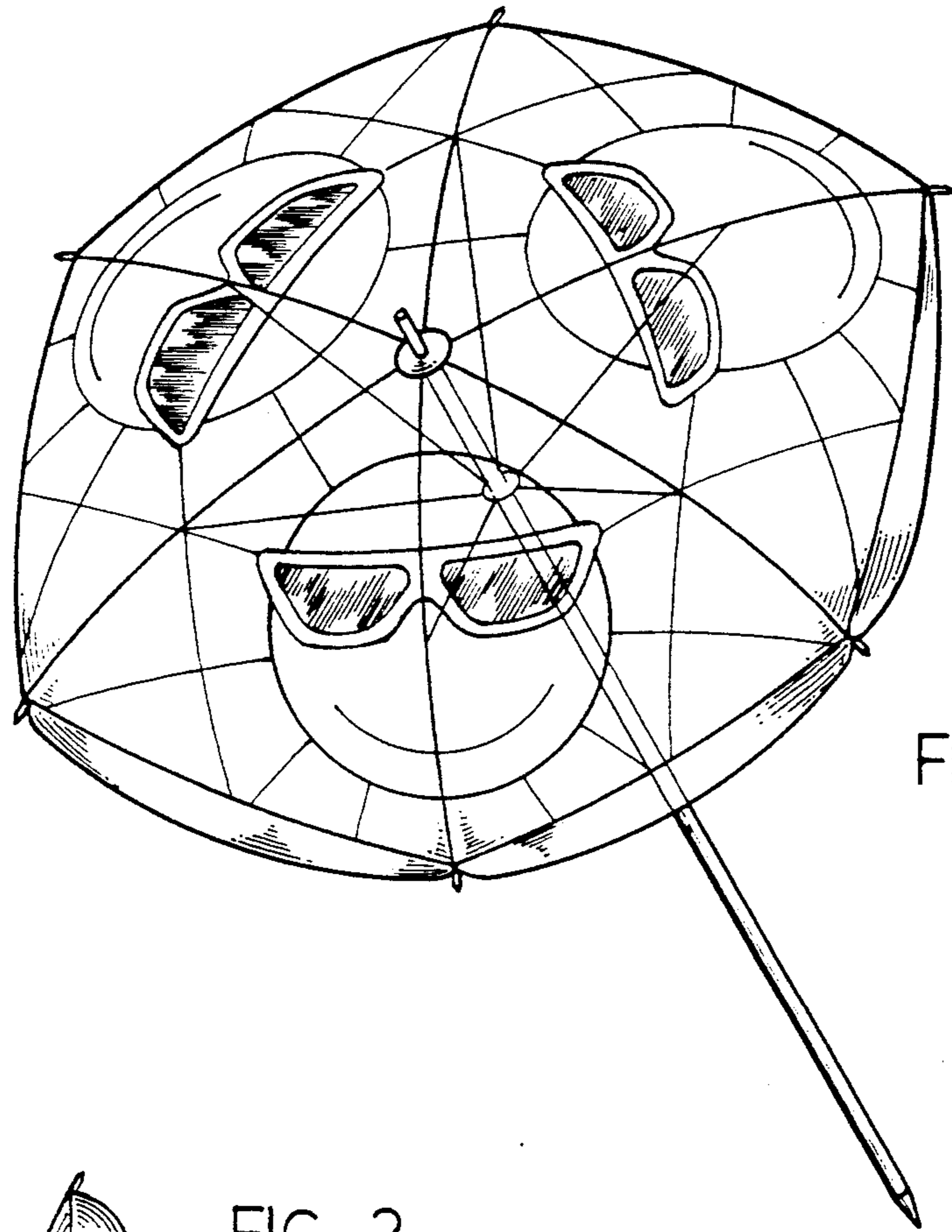


FIG. 1

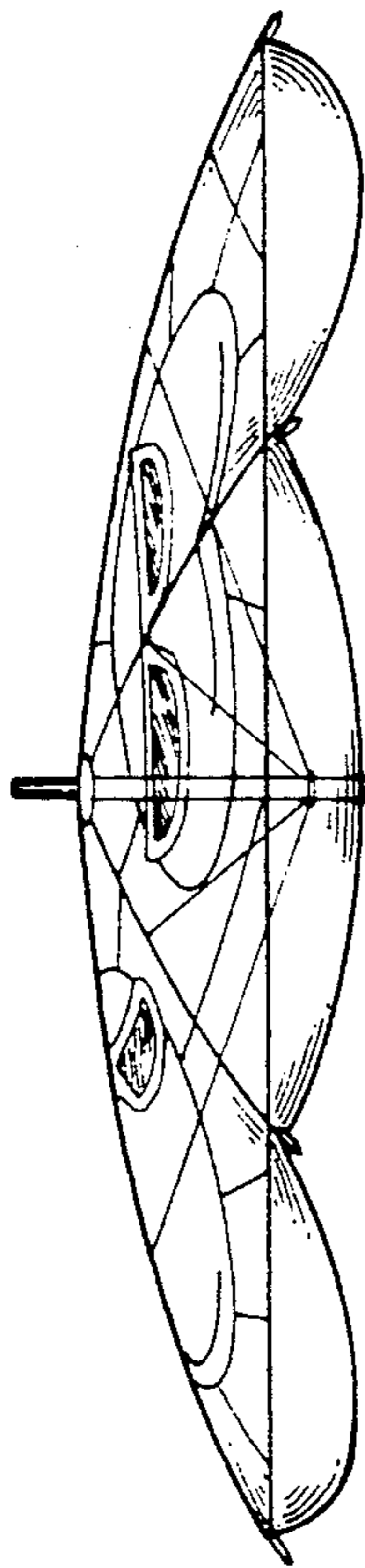


FIG. 2

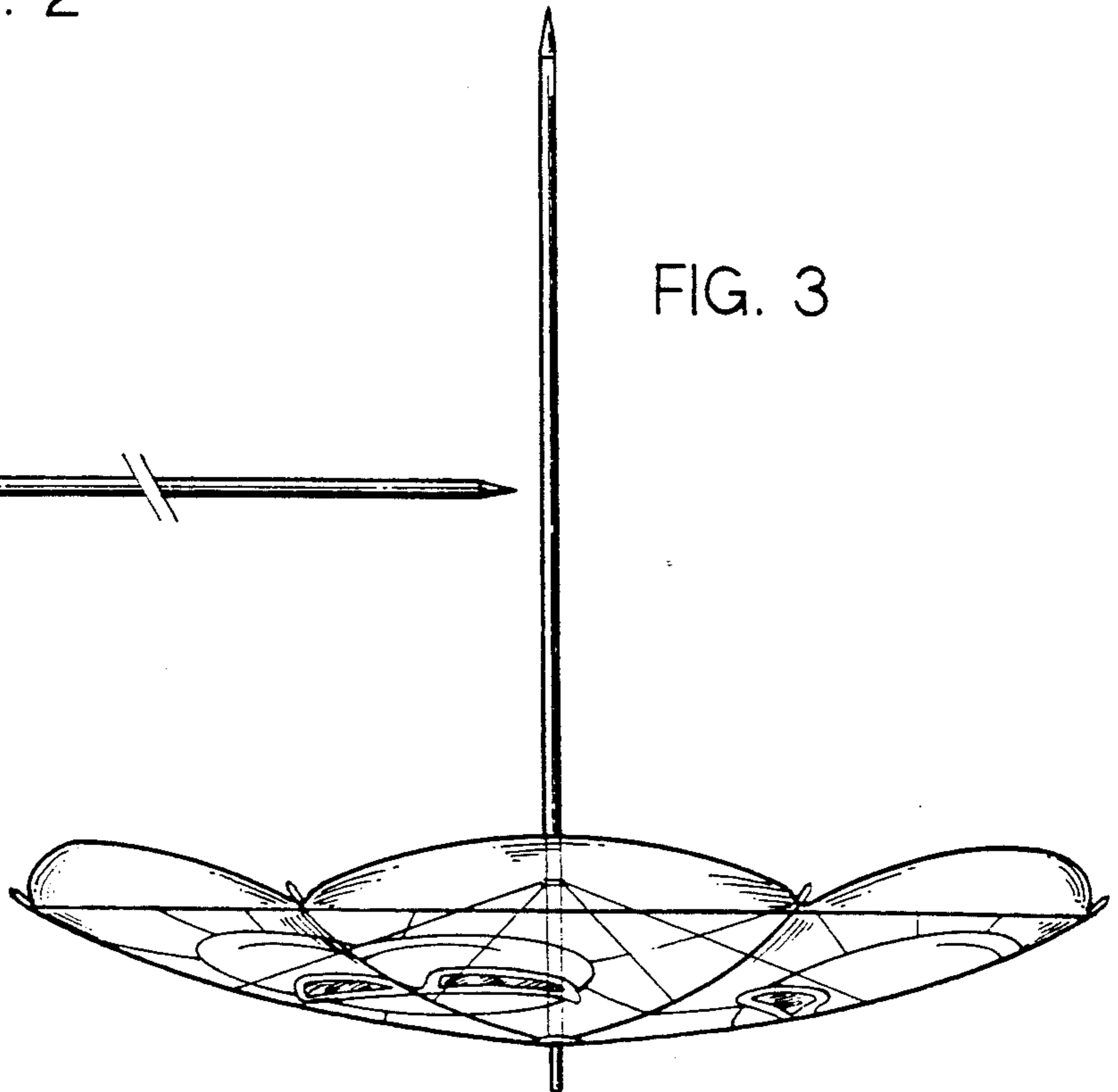


FIG. 3

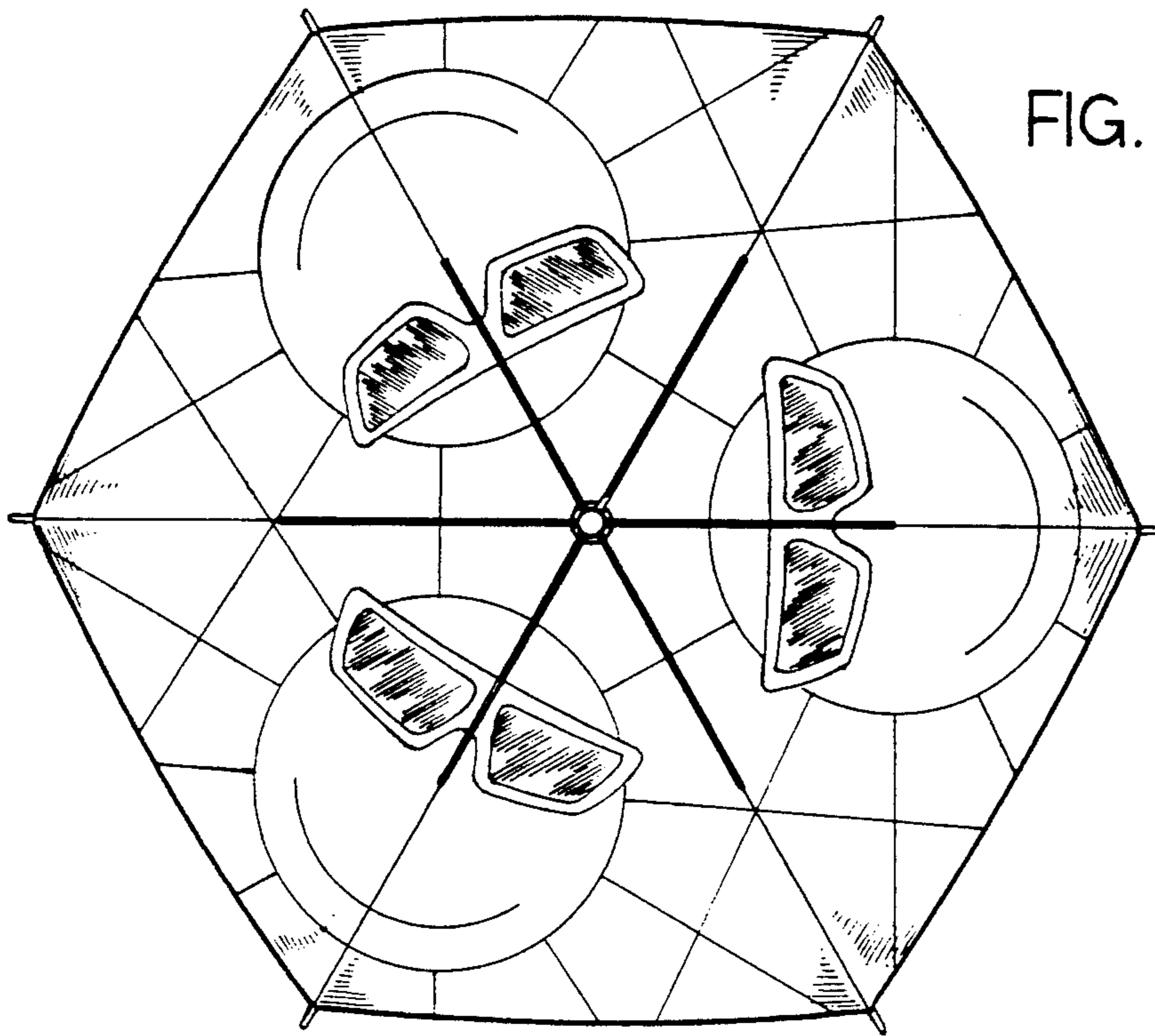


FIG. 4

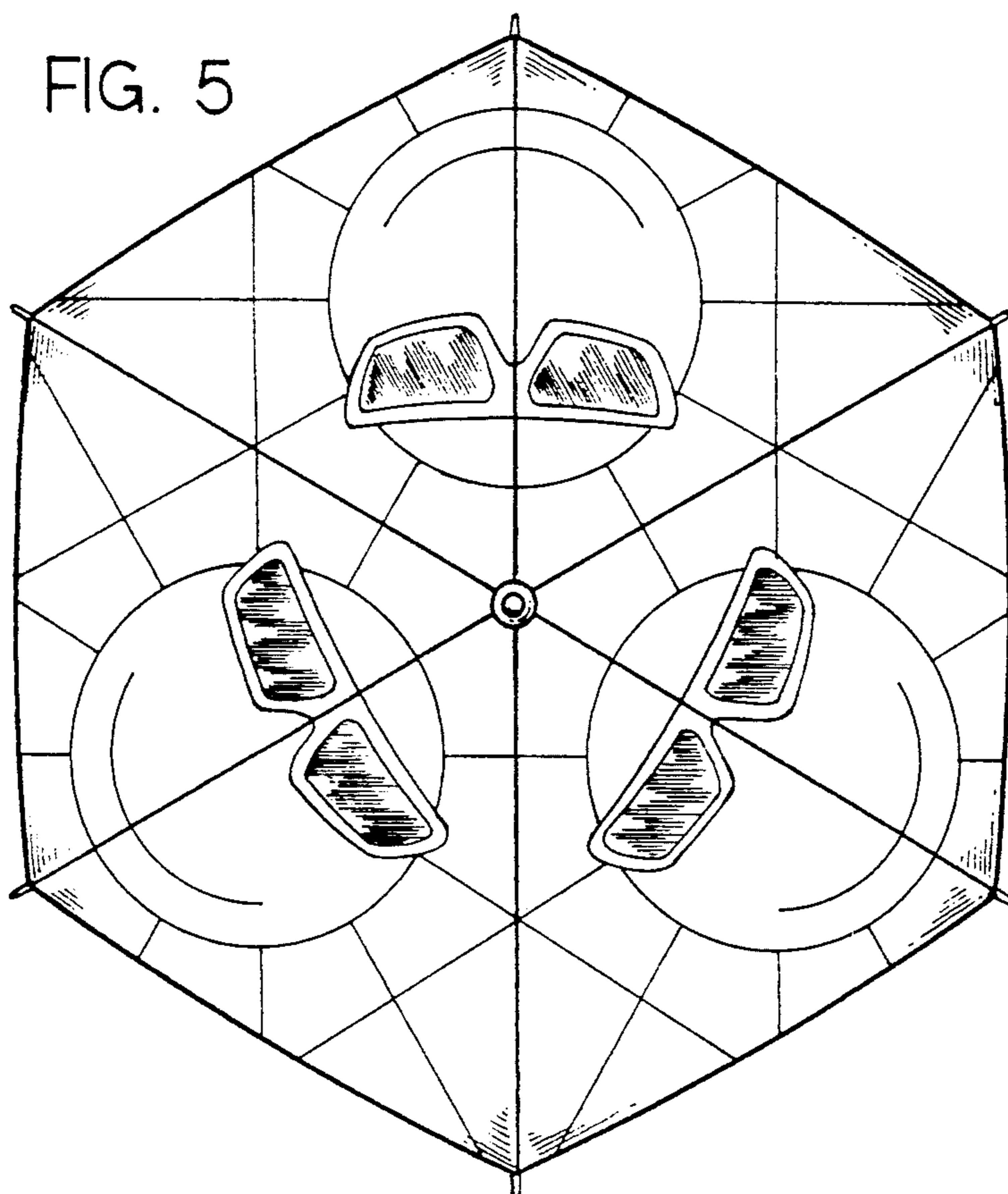


FIG. 5

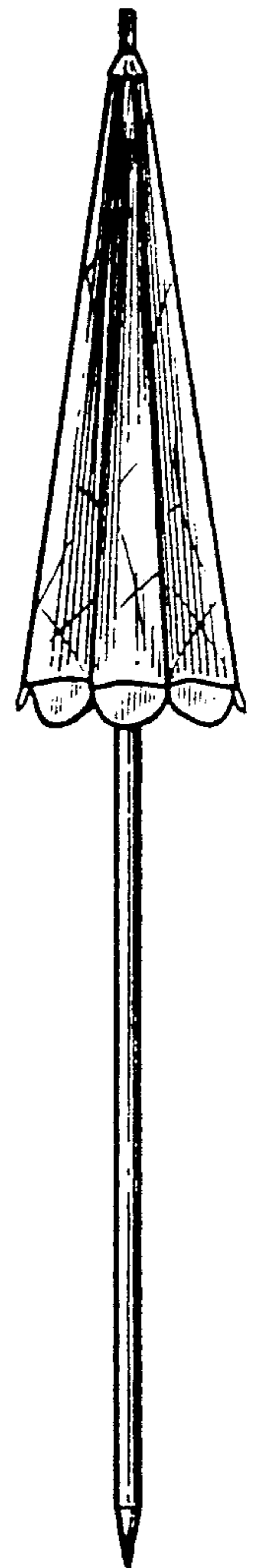


FIG. 6