



US00D339892S

United States Patent [19]

[11] Patent Number: **Des. 339,892**

Wu

[45] Date of Patent: **** Sep. 28, 1993**

[54] **GOLF CART HANDLEBAR**

5,143,399 9/1992 Liu 280/DIG. 6

[76] Inventor: **Ching-Chang Wu**, 35-1, Jih Hsin Street, Tu Cheng Hsiang, Taipei Hsien, Taiwan

Primary Examiner—Kay H. Chin
Attorney, Agent, or Firm—Varndell Legal Group

[**] Term: **14 Years**

[57] **CLAIM**

[21] Appl. No.: **953,599**

The ornamental design for a golf cart handlebar, as shown and described.

[22] Filed: **Sep. 30, 1992**

DESCRIPTION

[52] U.S. Cl. **D34/27; D34/15**

FIG. 1 is a perspective view of a golf cart handlebar showing my new design;

[58] Field of Search **D34/27, 15; 280/DIG. 5, 280/DIG. 6; 294/57; D8/10**

FIG. 2 is a front elevational view thereof;

FIG. 3 is a top plan view thereof;

FIG. 4 is a bottom plan view thereof;

FIG. 5 is a left side elevational view thereof;

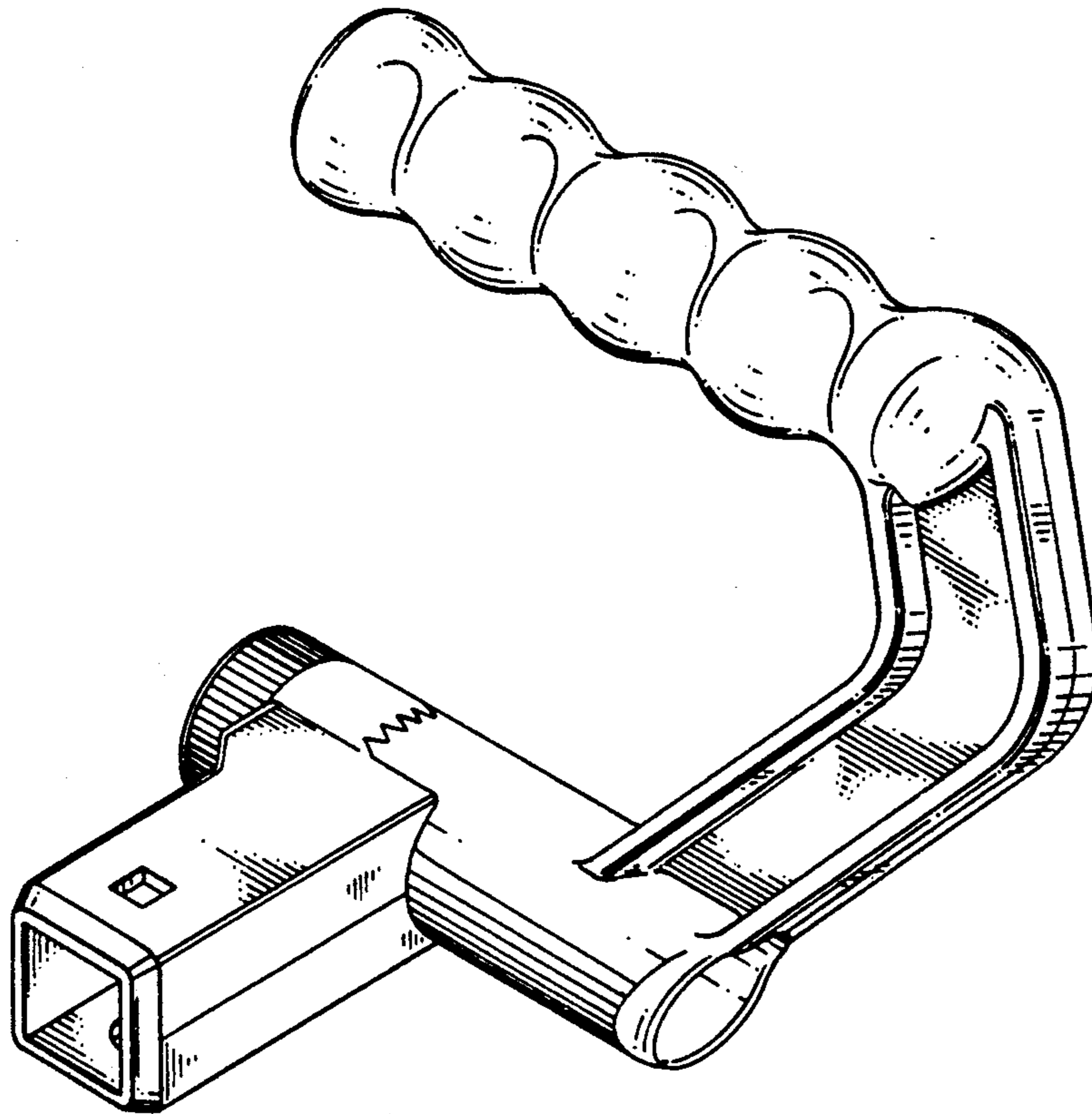
FIG. 6 is a right side elevational view thereof; and,

FIG. 7 is a rear elevational view thereof.

[56] **References Cited**

U.S. PATENT DOCUMENTS

D. 331,652 12/1992 Wu **D34/27**



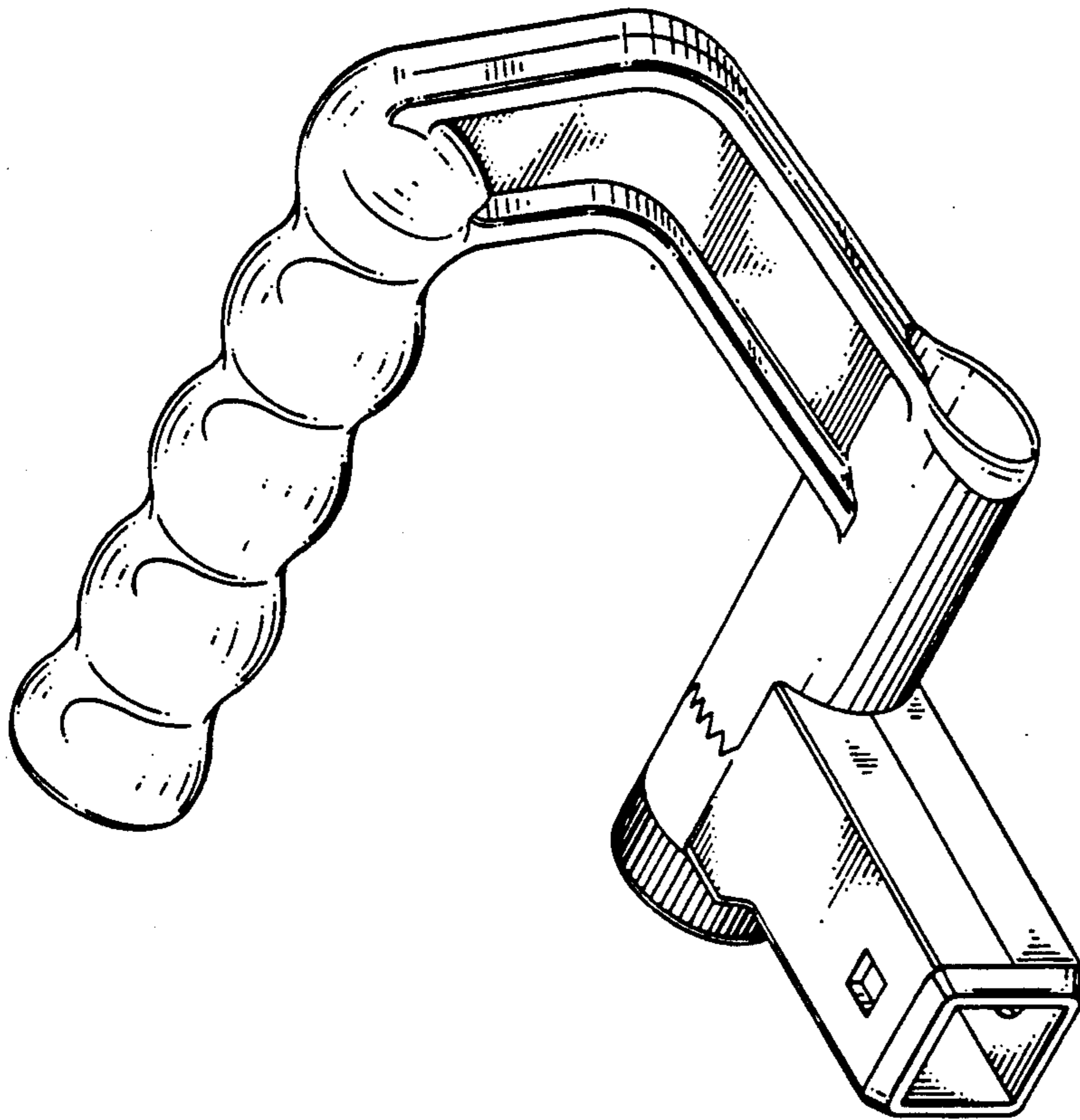


Fig . 1

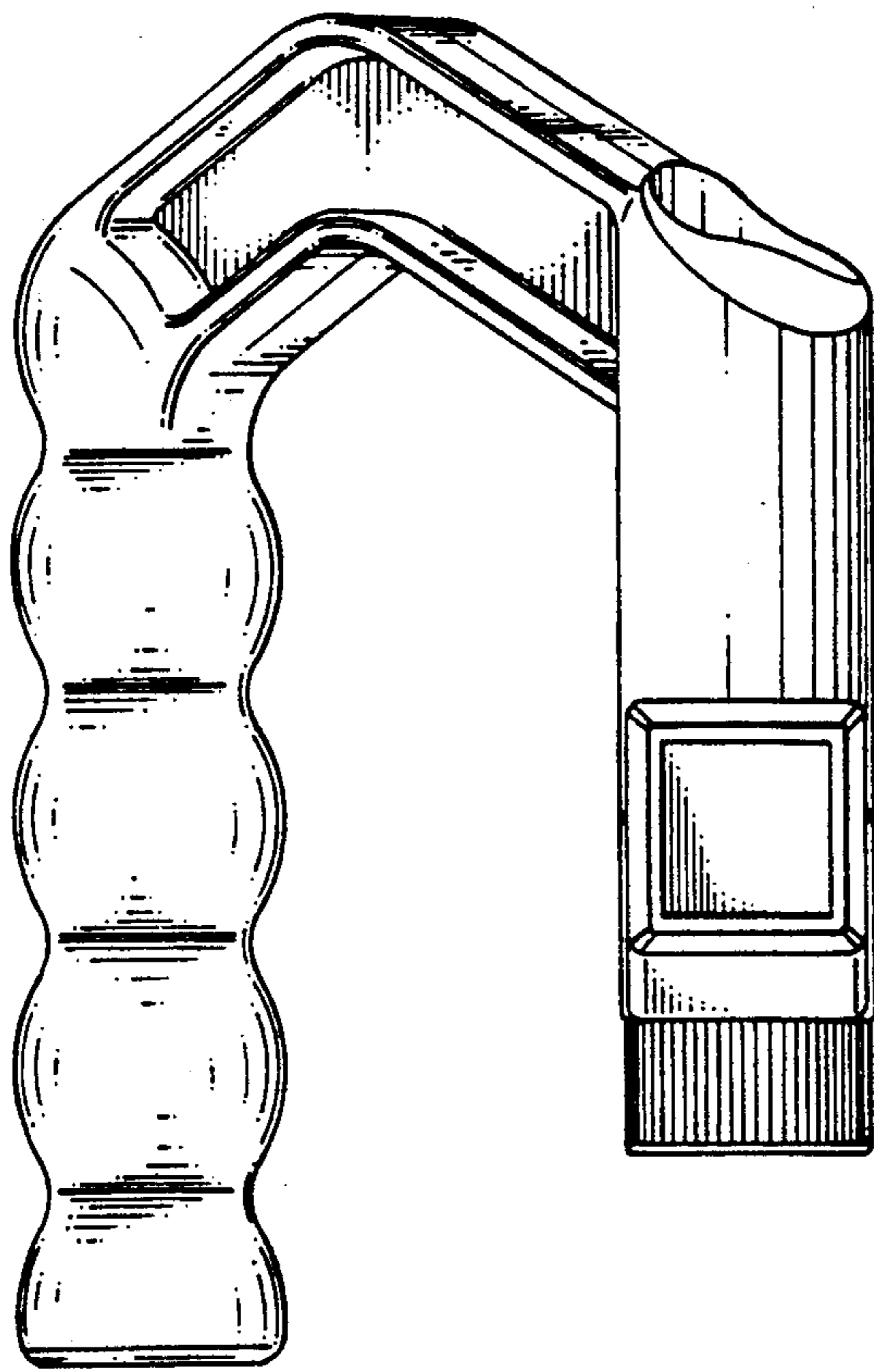


Fig. 2

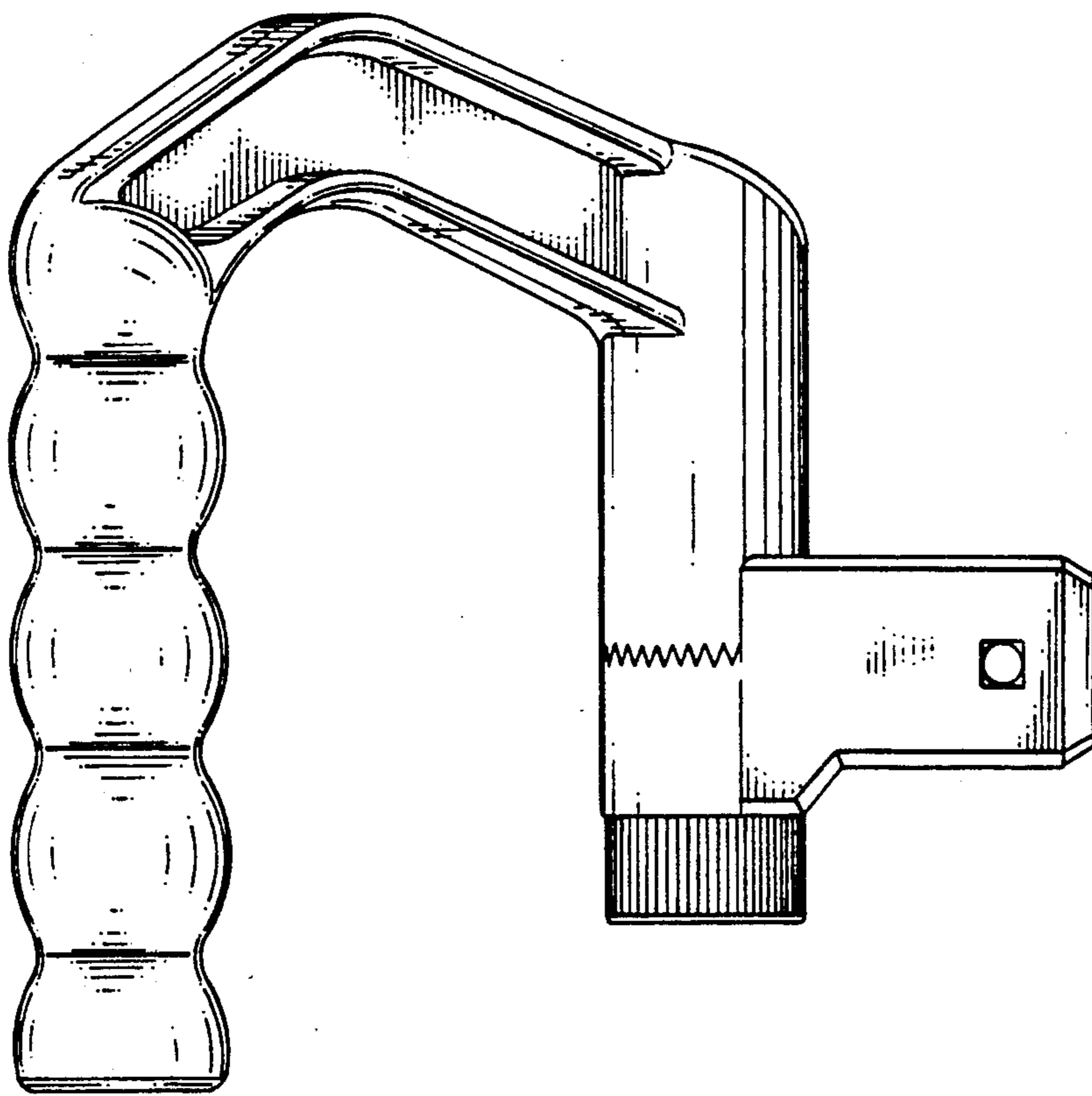


Fig. 3

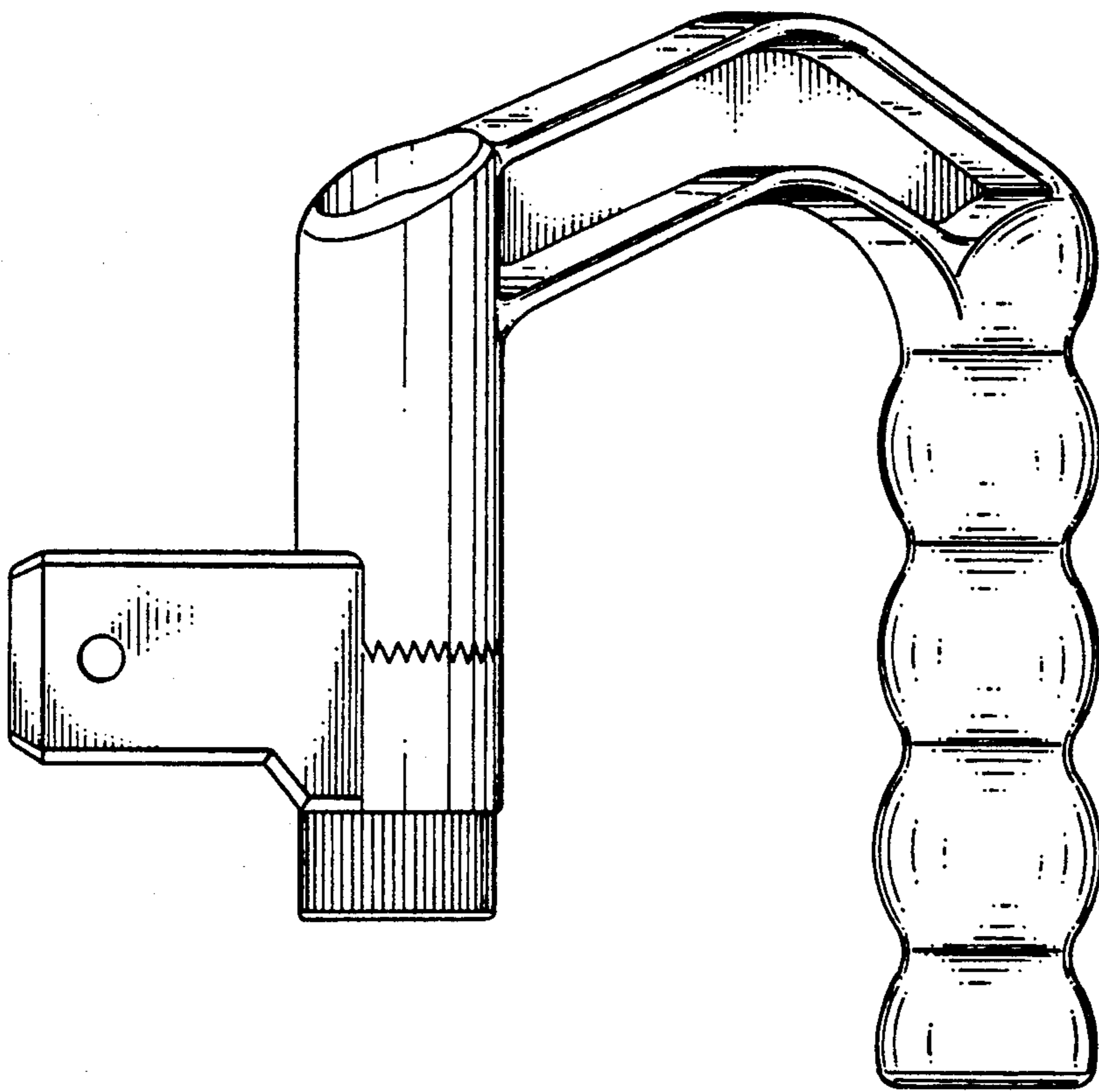


Fig. 4 .

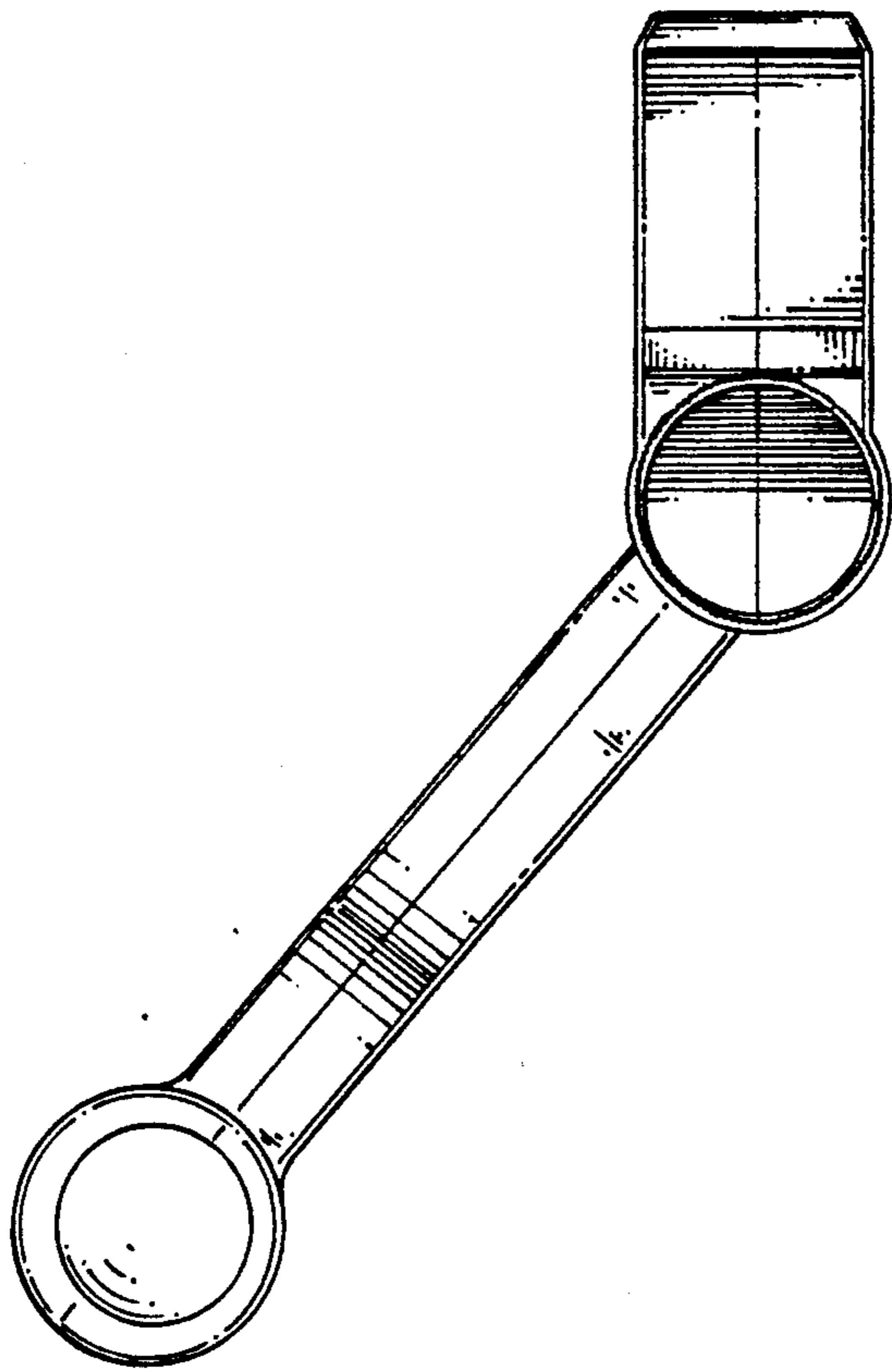


Fig. 5

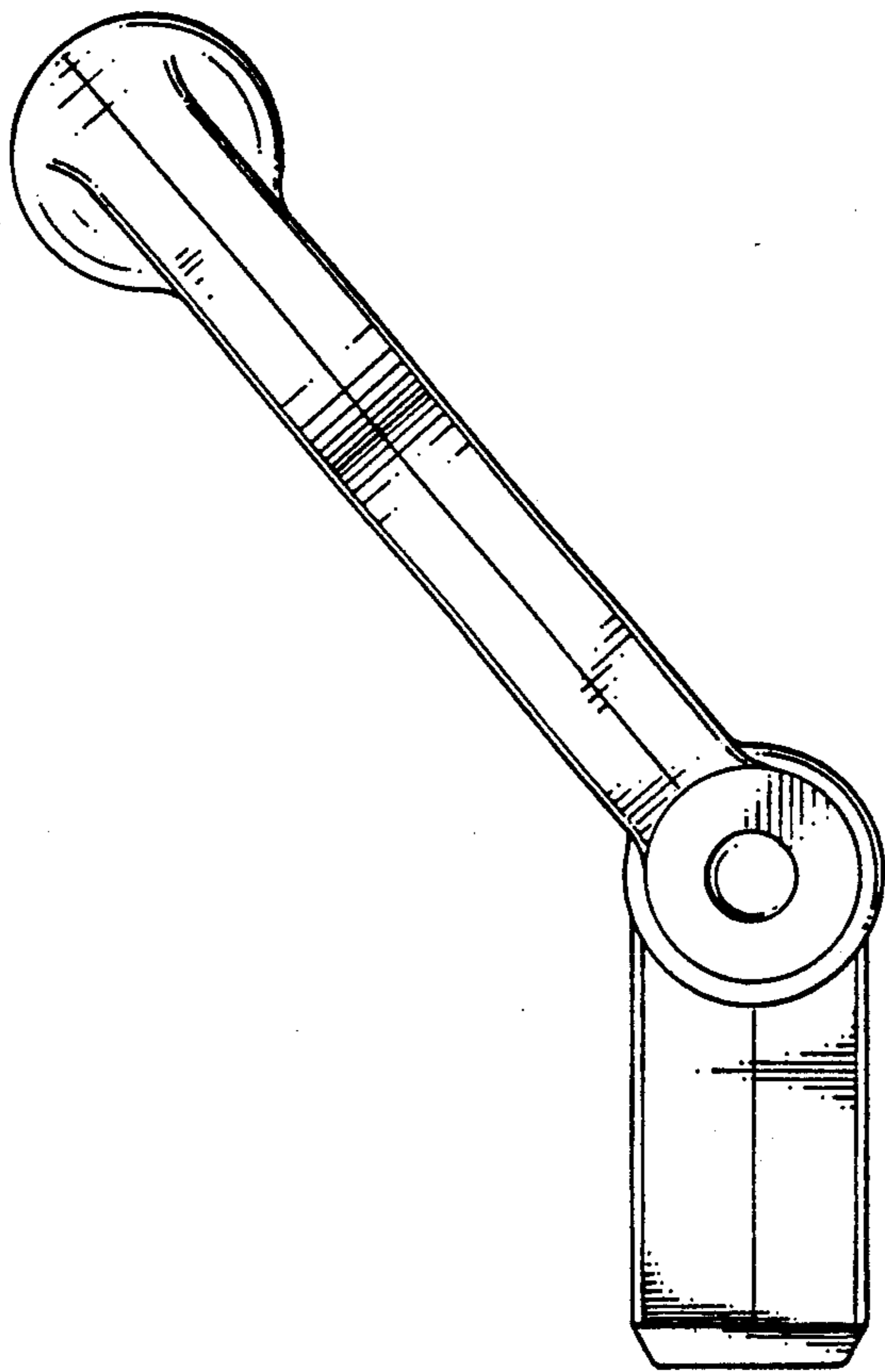


Fig . 6

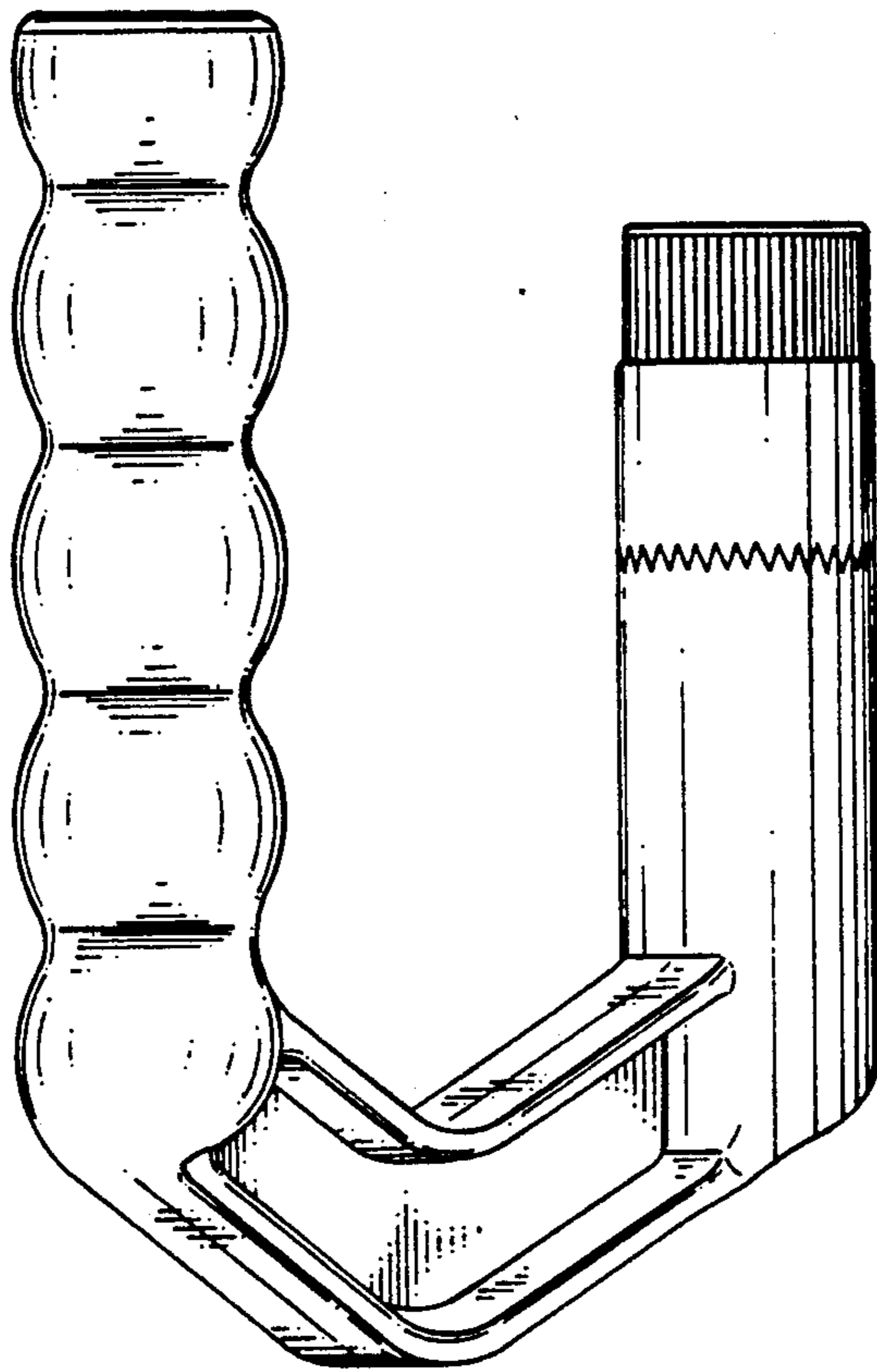


Fig. 7