



US00D339888S

# United States Patent [19]

[11] Patent Number: **Des. 339,888**

Muller

[45] Date of Patent: **\*\* Sep. 28, 1993**

[54] **HOLDER FOR SHAVER HEAD CLEANER**

4,458,705 7/1984 Cawood ..... 134/137

[75] Inventor: **Ronald L. Muller**, Old Saybrook, Conn.

*Primary Examiner*—Ruth McInroy  
*Attorney, Agent, or Firm*—Jack E. Haken

[73] Assignee: **U.S. Philips Corporation**, New York, N.Y.

[57] **CLAIM**

[\*\*] Term: **14 Years**

The ornamental design for a holder for shaver head cleaner, as shown and described.

[21] Appl. No.: **580,432**

**DESCRIPTION**

[22] Filed: **Sep. 7, 1990**

FIG. 1 is a top, rear and right side perspective view of a holder for shaver head for use in cleaning showing my new design;

[52] U.S. Cl. .... **D32/25**

FIG. 2 is a left side elevational view thereof;

[58] Field of Search ..... **D32/1, 25; 134/135, 134/137, 85, 92; D28/49, 50, 53, 54; D9/342**

FIG. 3 is a top plan view thereof;

FIG. 4 is a front elevational view thereof;

FIG. 5 is a rear elevational view thereof;

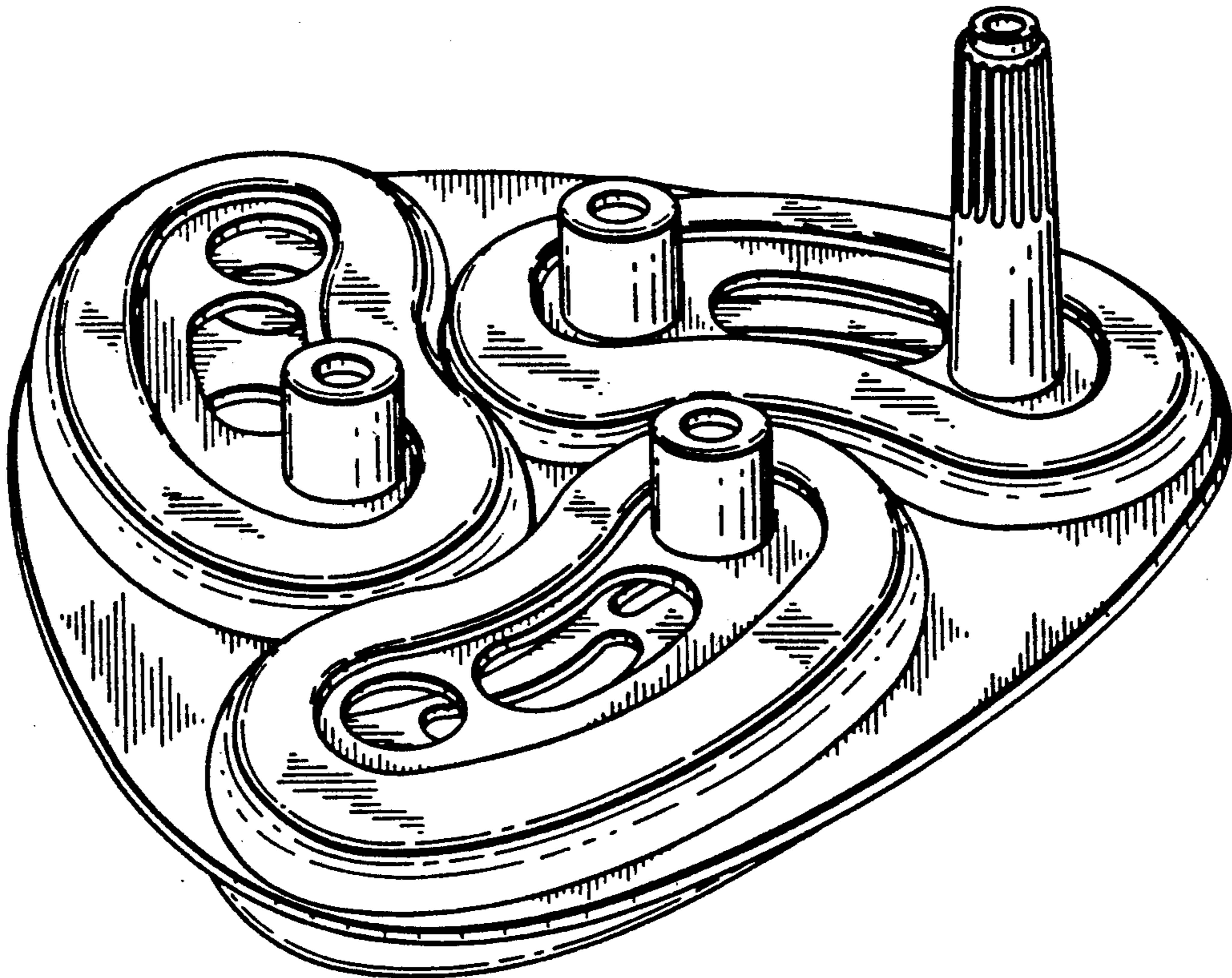
FIG. 6 is a bottom plan view thereof; and,

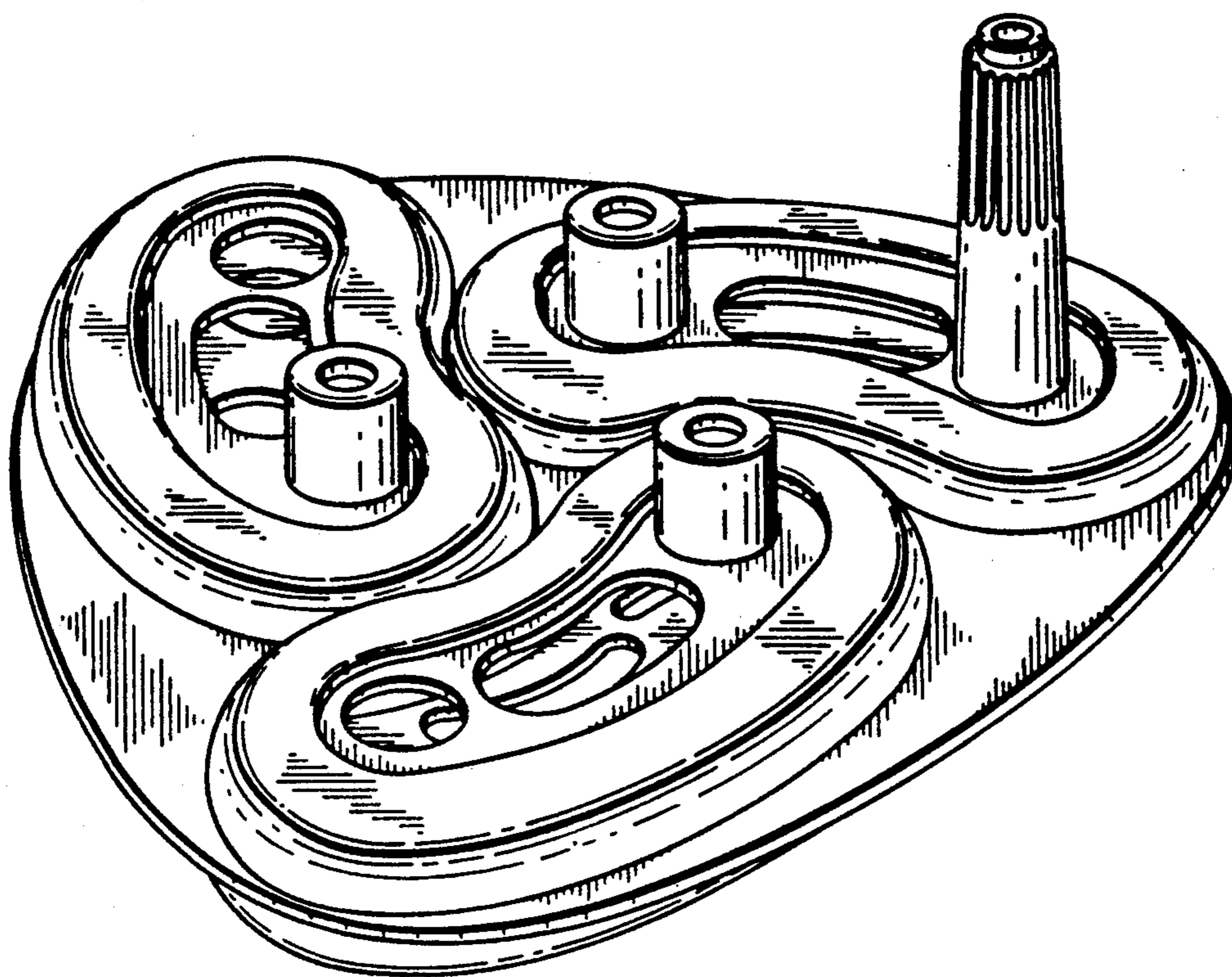
FIG. 7 is an exploded top plan view thereof, the cover removed from its operative position for clarity of illustration.

[56] **References Cited**

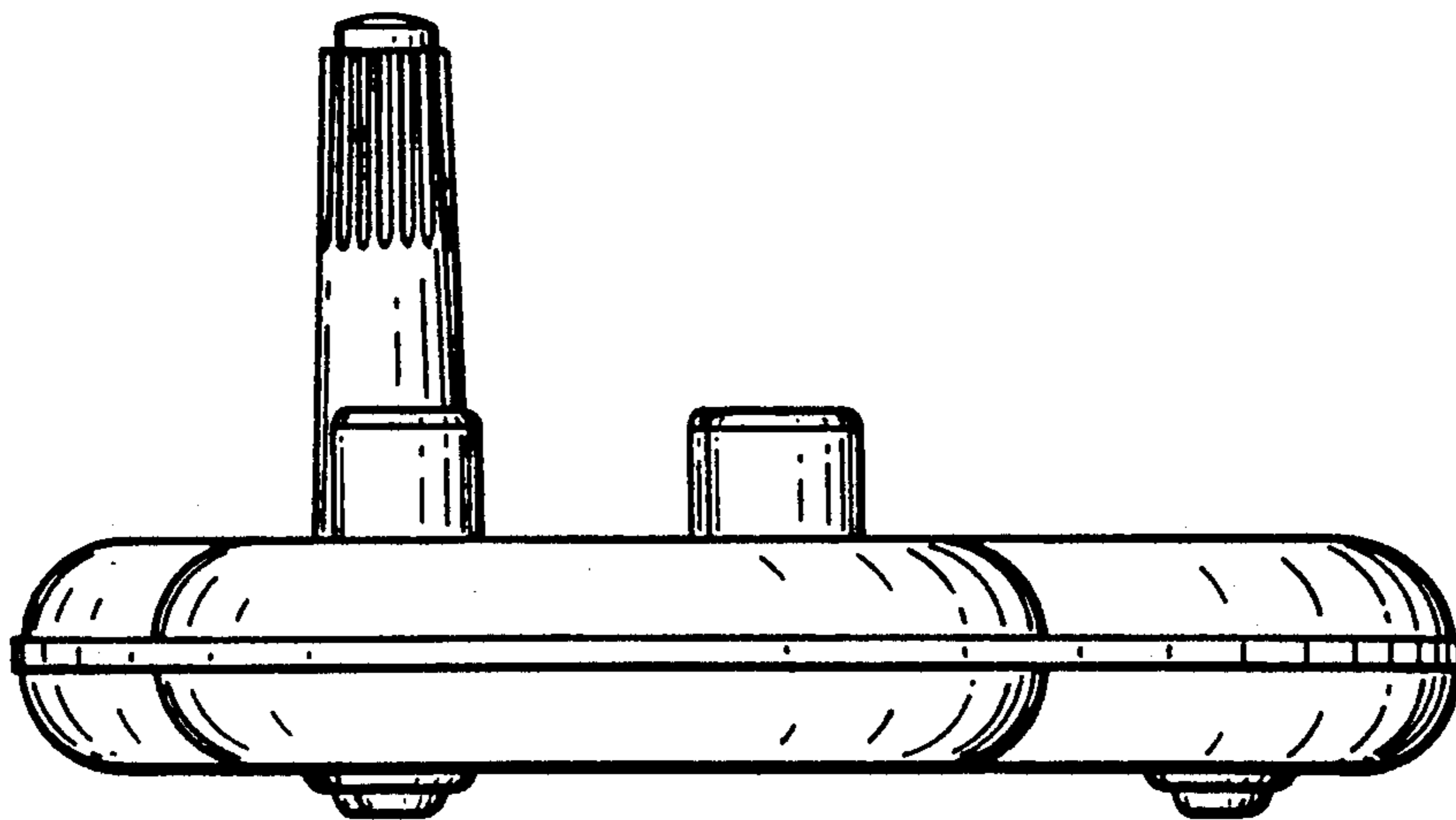
**U.S. PATENT DOCUMENTS**

- 2,671,239 3/1954 Wisner ..... 134/92
- 3,616,805 11/1971 Marsee ..... 134/85
- 4,053,280 10/1977 Salisbury ..... 134/135

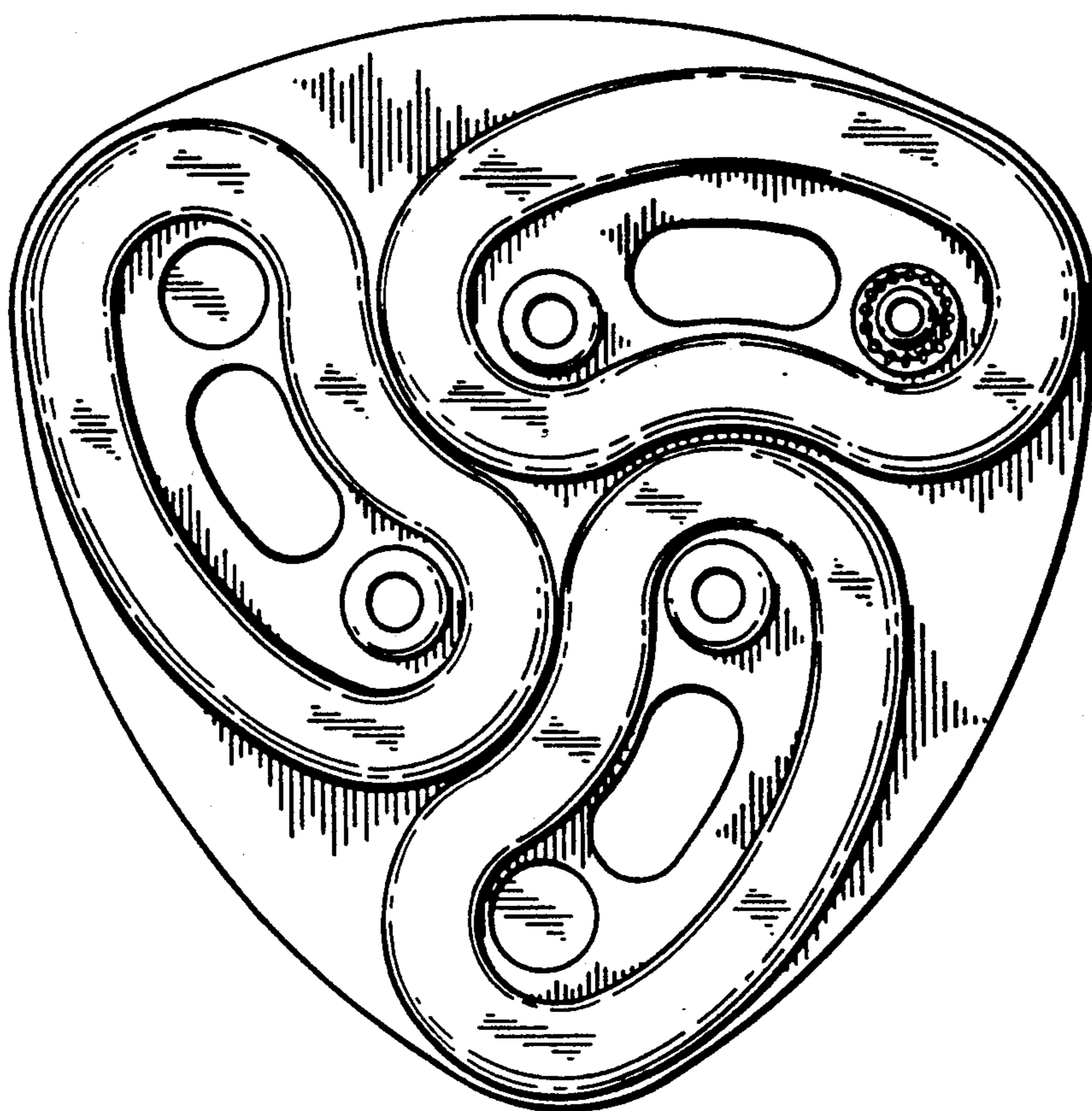




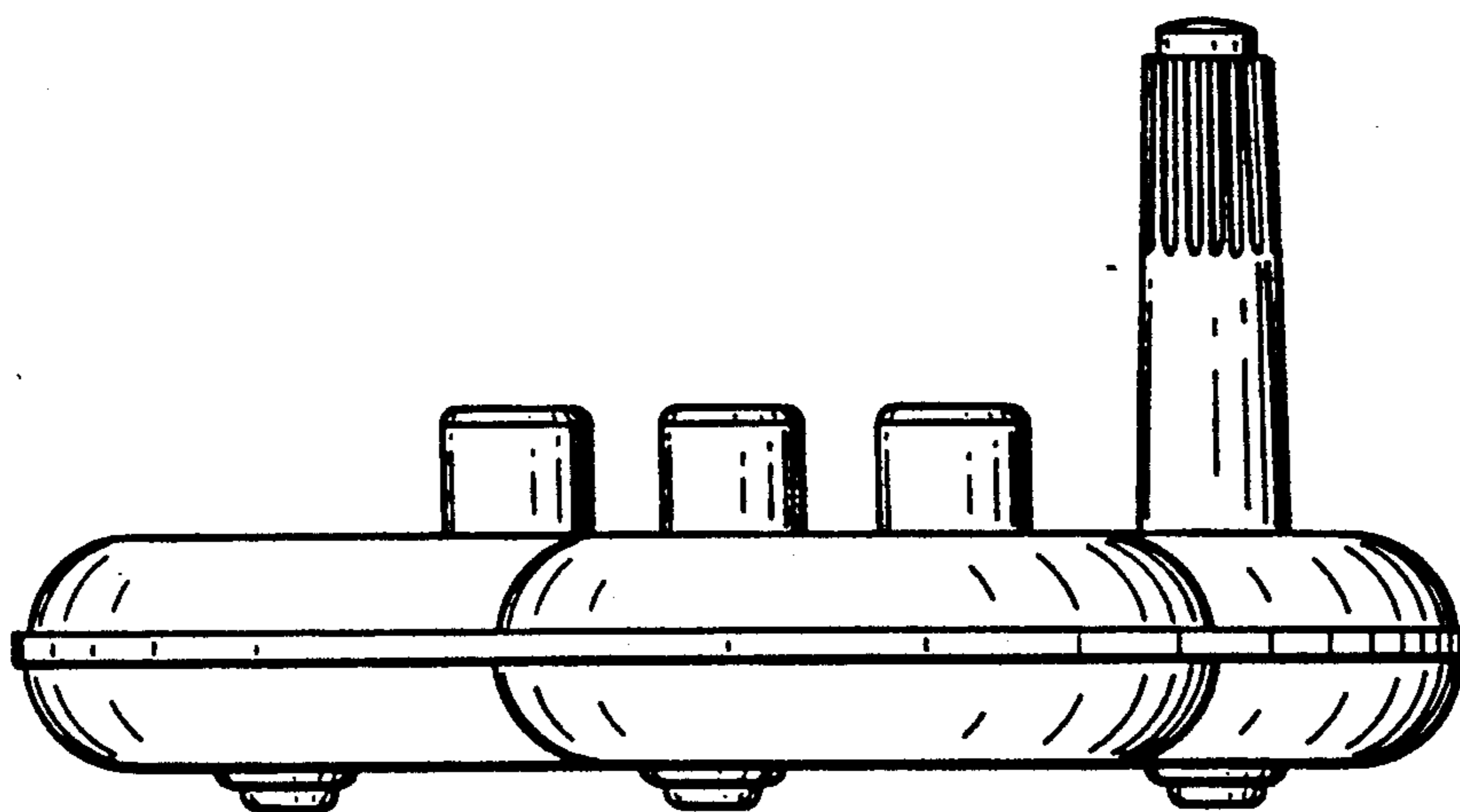
**FIG. 1**



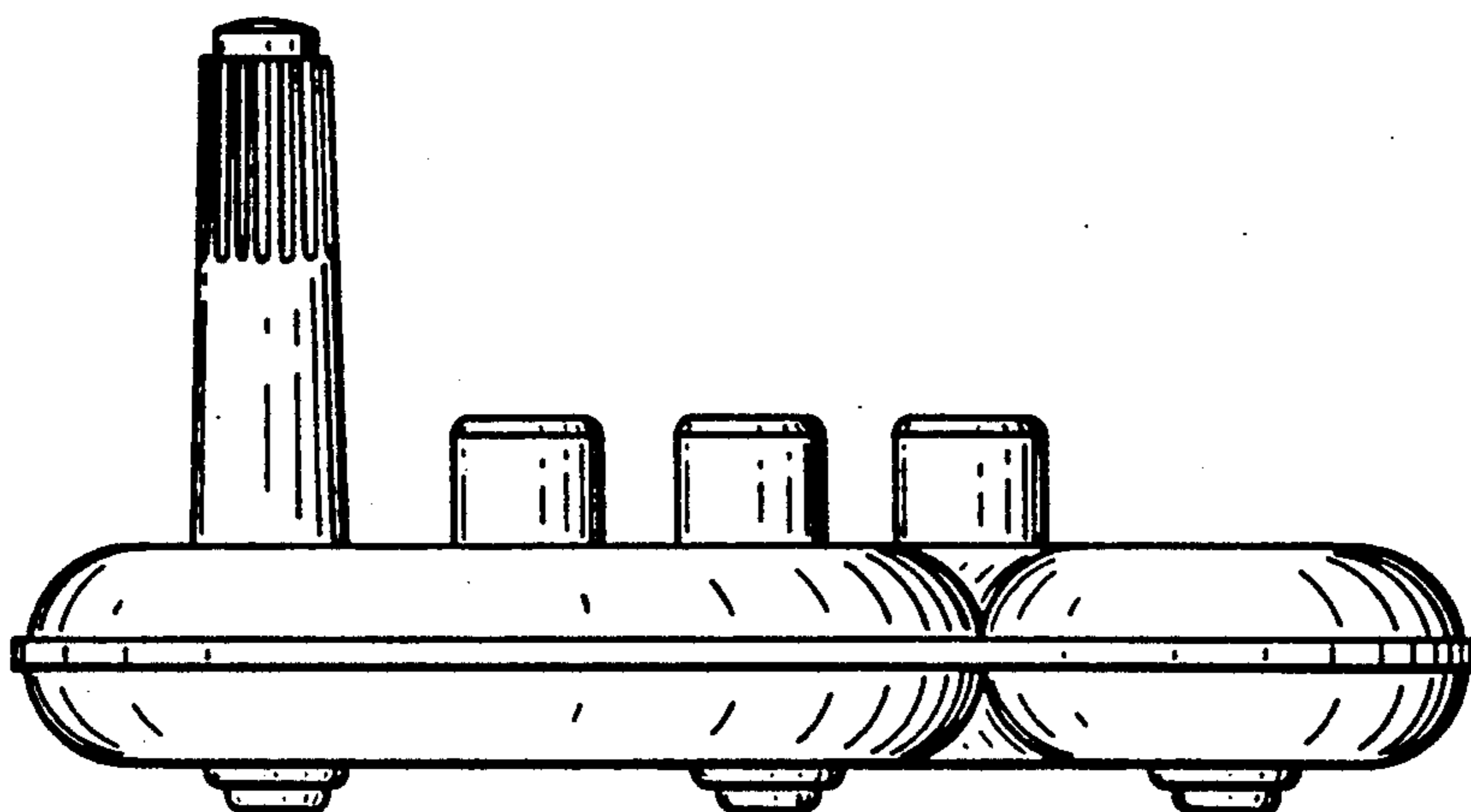
**FIG. 2**



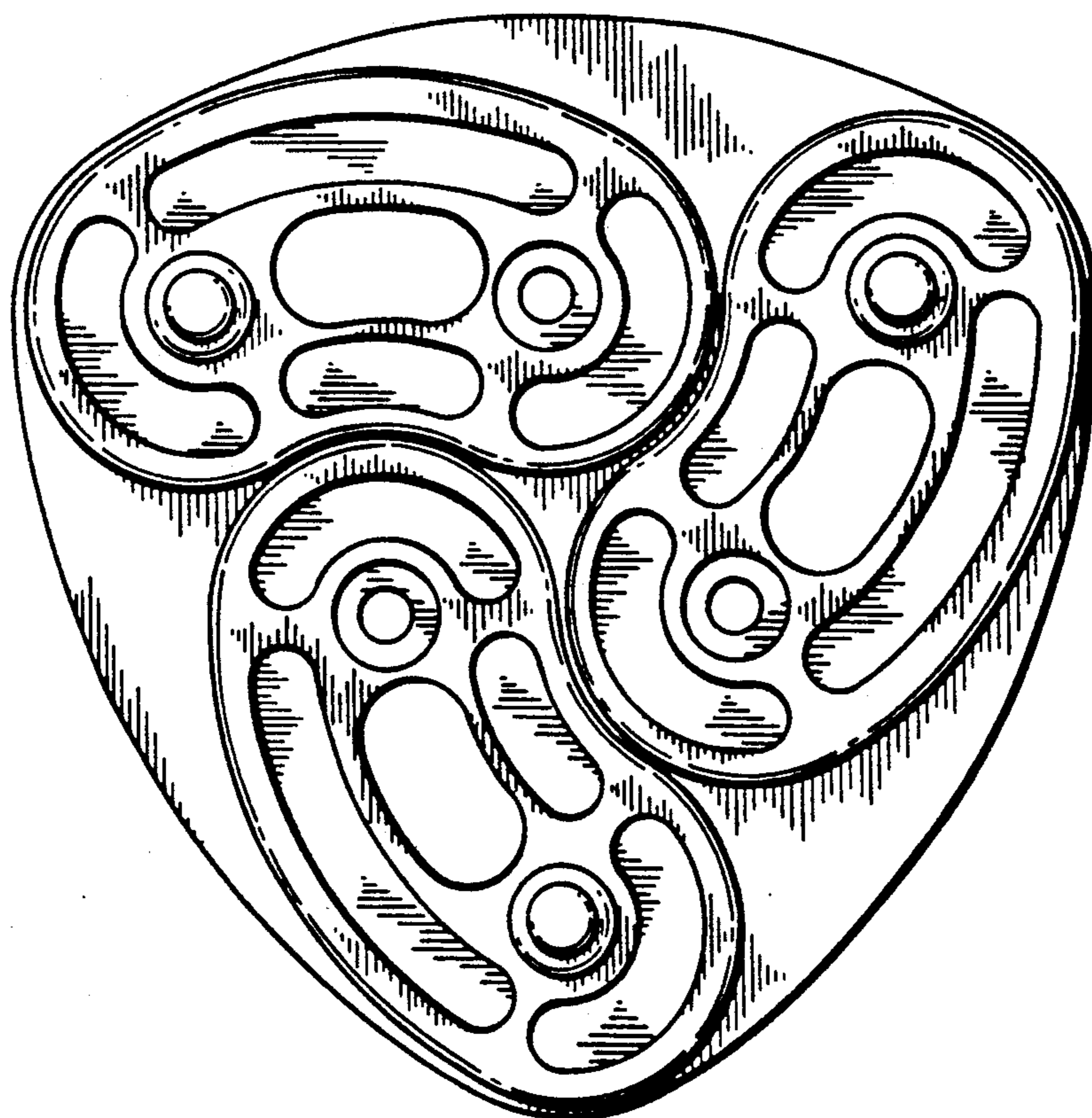
**FIG. 3**



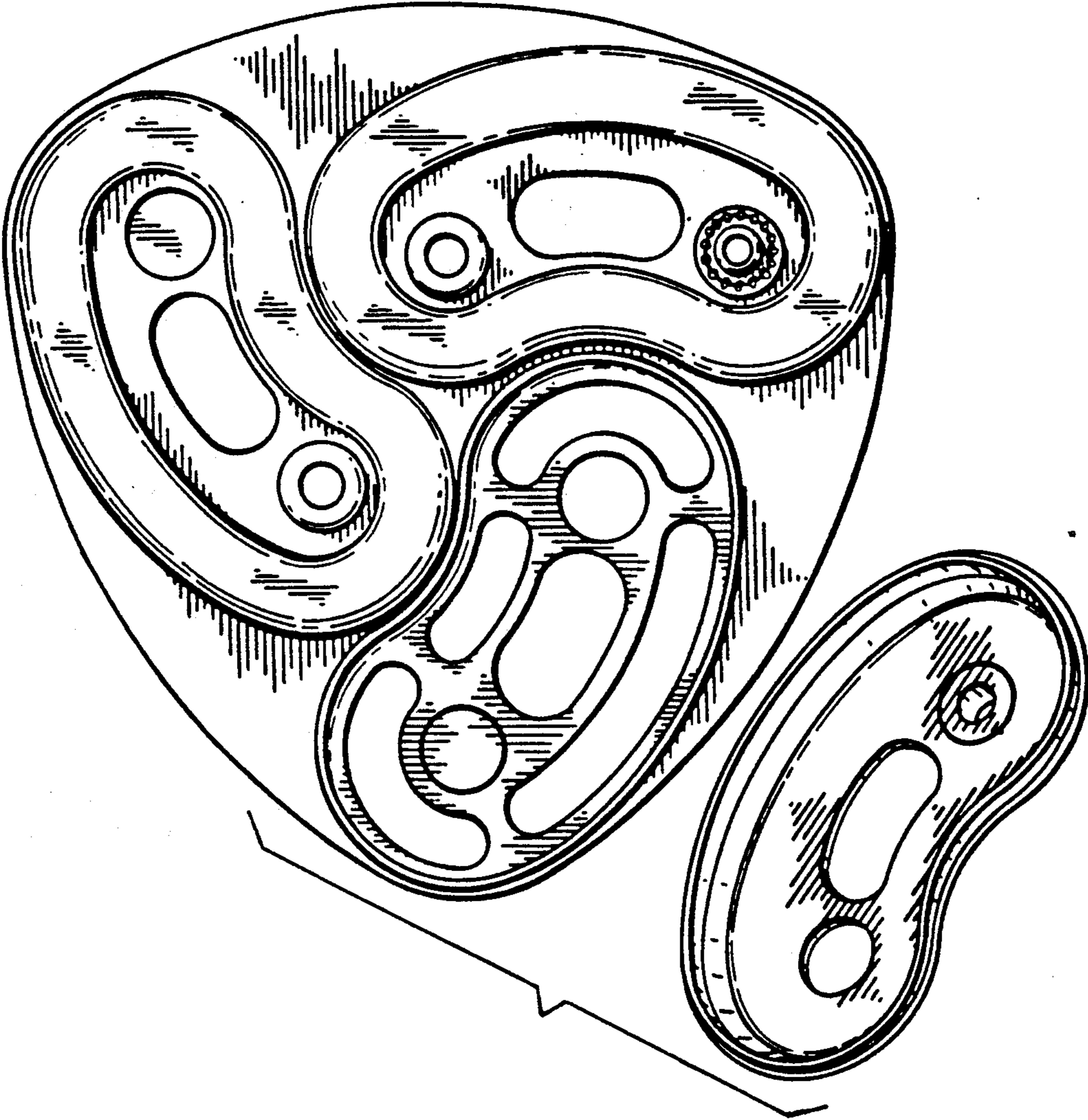
**FIG. 4**



**FIG. 5**



**FIG. 6**



**FIG. 7**