



US00D339887S

United States Patent [19]
Henderson

[11] **Patent Number: Des. 339,887**
[45] **Date of Patent: ** Sep. 28, 1993**

[54] **COMBINED GARMENT DRYER AND
CONDITIONER**

2,338,776 1/1944 Miller 68/5 A
2,969,897 1/1961 Paris 223/51
2,975,529 3/1961 Weber 223/51
3,085,583 4/1963 Siek 134/135

[75] **Inventor: Andy Henderson, Houston, Tex.**

[73] **Assignee: Hugh G. Henderson Company, Inc.,
Houston, Tex.**

*Primary Examiner—Ruth McInroy
Attorney, Agent, or Firm—Browning, Bushman,
Anderson & Brookhart*

[**] **Term: 14 Years**

[57] **CLAIM**

[21] **Appl. No.: 647,787**

The ornamental design for a combined garment dryer and conditioner, as shown and described.

[22] **Filed: Jan. 30, 1991**

[52] **U.S. Cl. D32/8**

DESCRIPTION

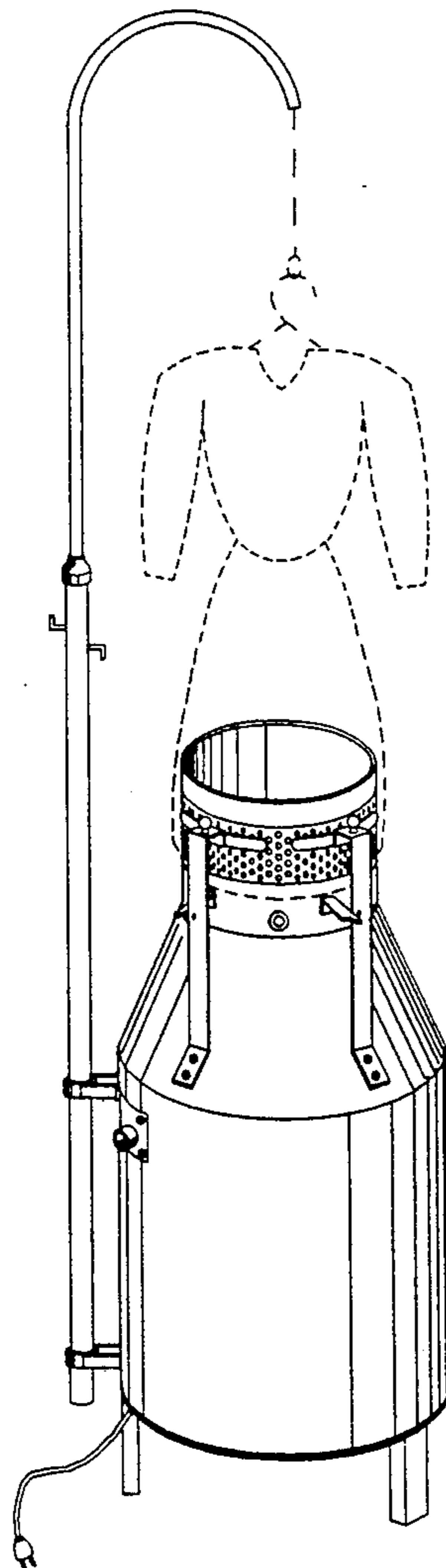
[58] **Field of Search D32/8, 58; 34/46, 201,
34/218, 227-228; 68/5 R, 5 A, 8, 222; 223/51,
70, 73; 219/520-521, 534**

FIG. 1 is a perspective view of a combined garment dryer and conditioner showing my new design, the dress and hanger shown in broken lines is for illustrative purposes only and form no part of the claimed design; FIG. 2 is a rear perspective view thereof; FIG. 3 is a bottom plan view thereof; FIG. 4 is a front elevational view thereof; and, FIG. 5 is an enlarged top plan view thereof, the damper being in a partially open position.

[56] **References Cited**

U.S. PATENT DOCUMENTS

D. 112,243 11/1938 Beluche et al. D32/8
2,075,724 3/1937 Jacobs 68/5 A
2,079,726 5/1937 Wilson 68/5 A



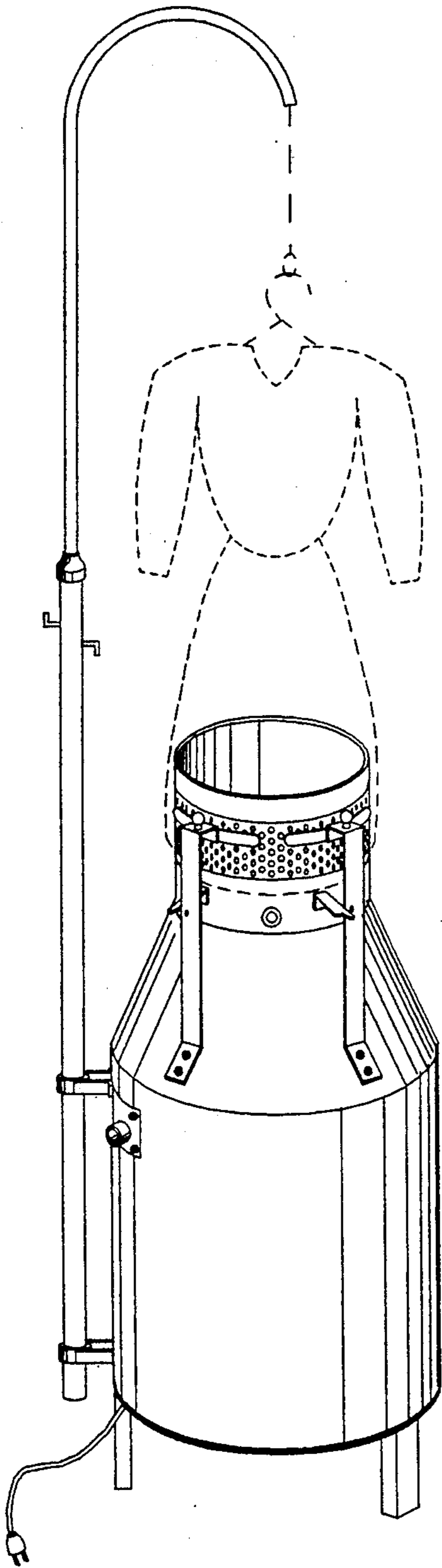


FIG. 1

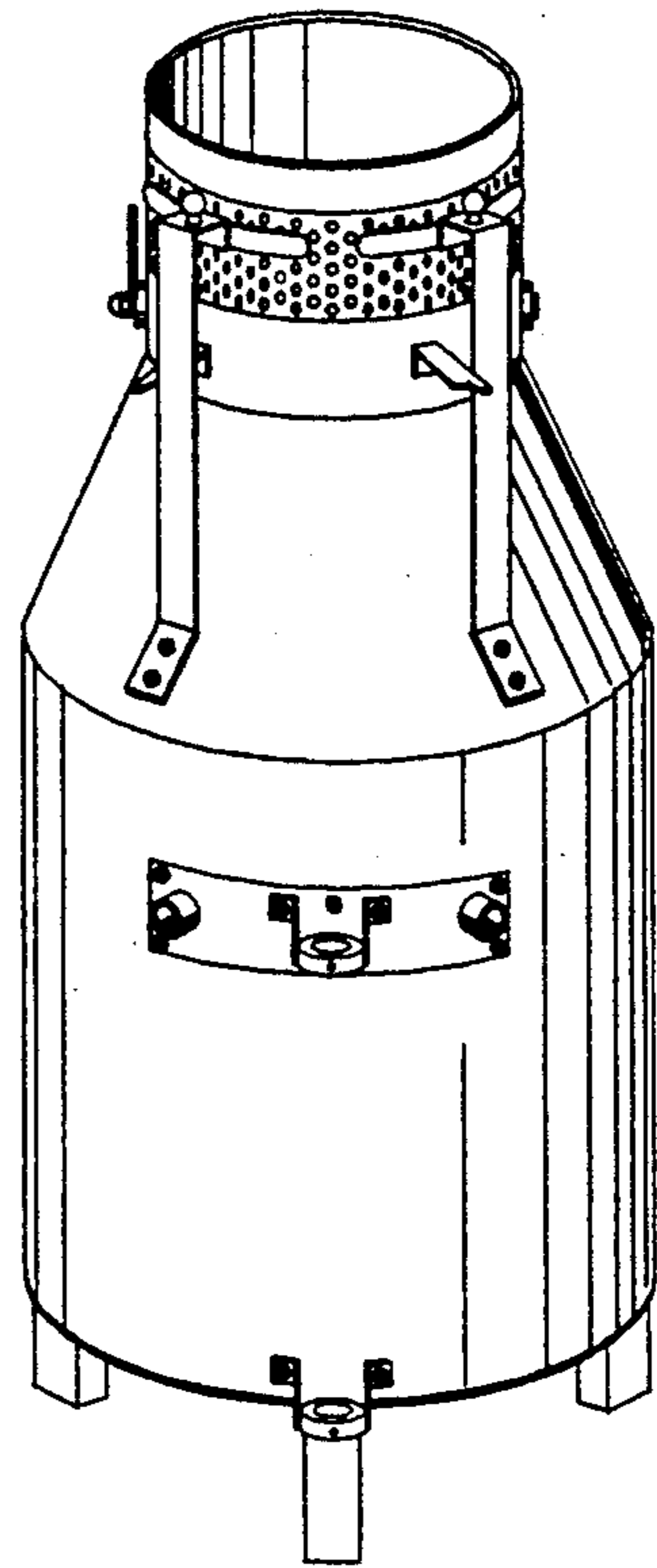


FIG. 2

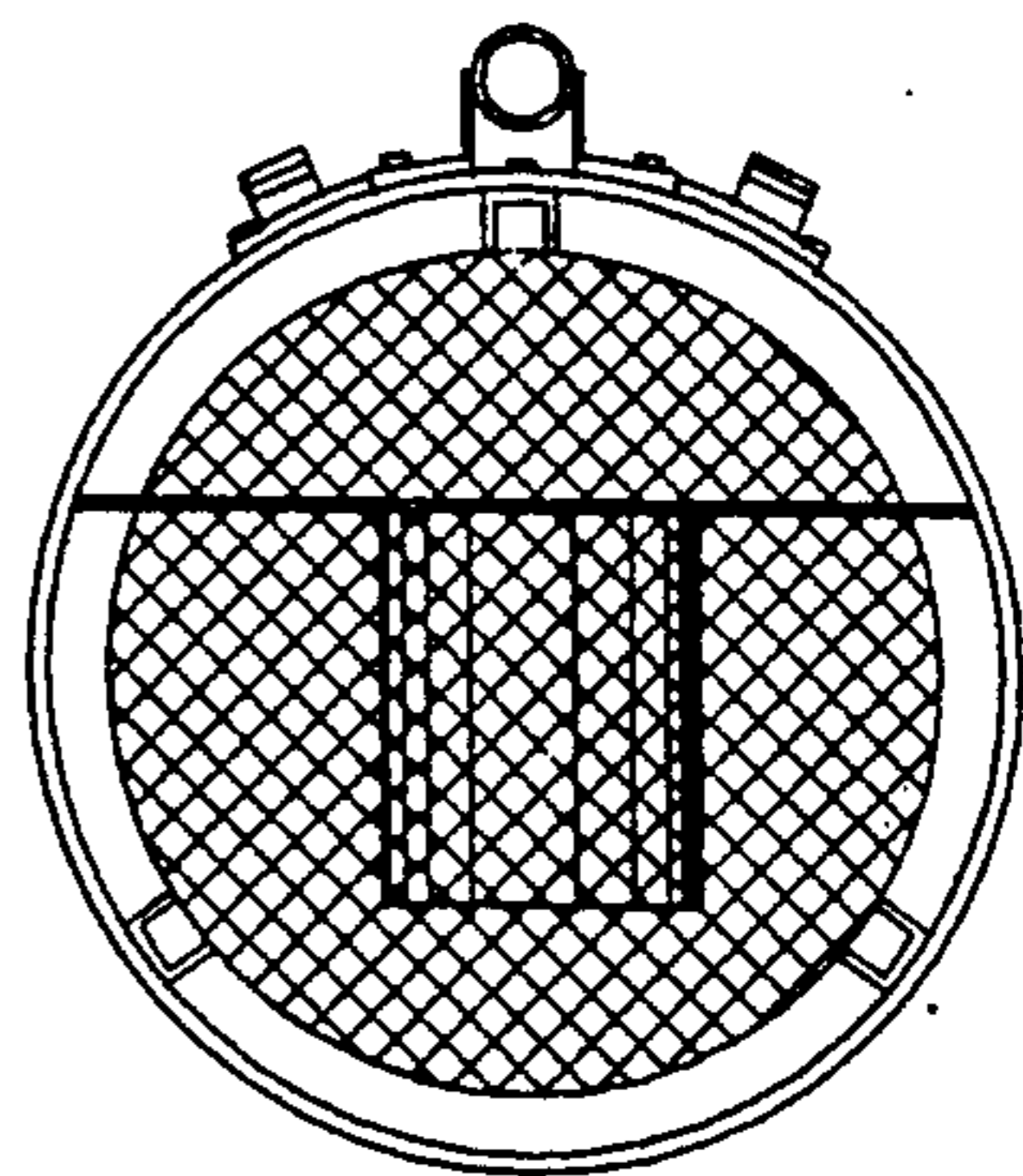


FIG. 3

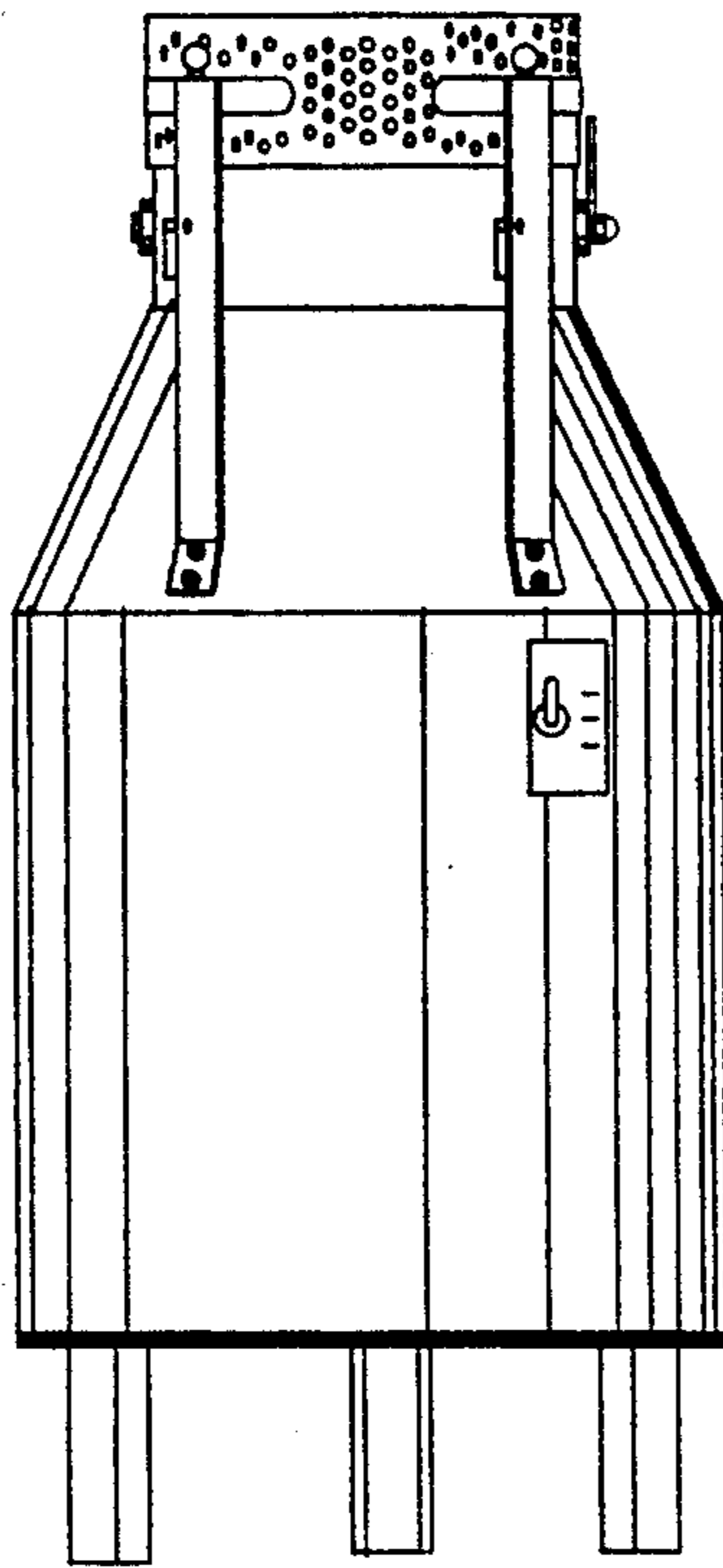


FIG. 4

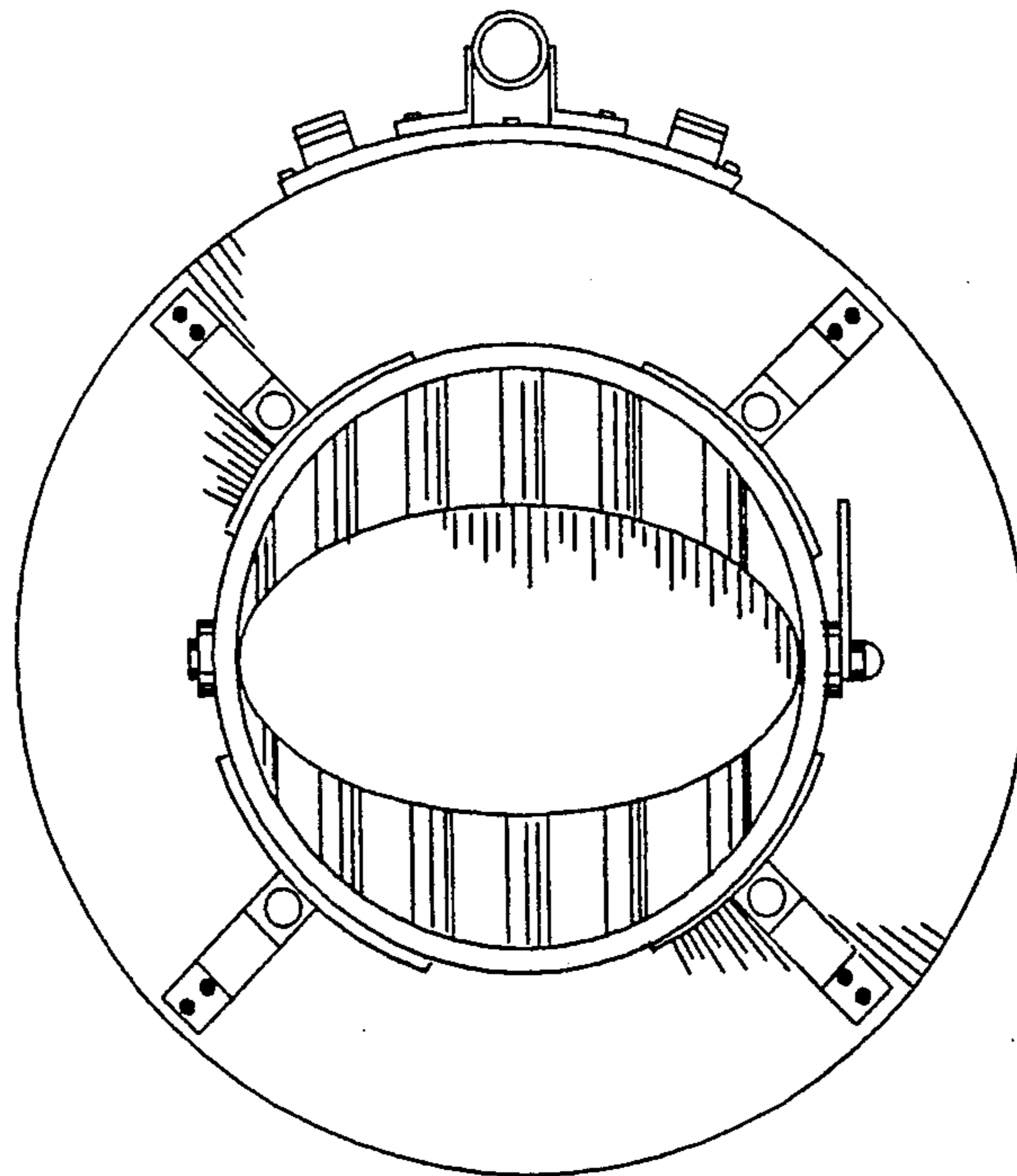


FIG. 5