



US00D339886S

United States Patent [19]

[11] Patent Number: **Des. 339,886**

Sakamoto

[45] Date of Patent: **** Sep. 28, 1993**

[54] **SPRAY DRYER**

5,015,332 5/1991 Iwaya et al. 159/DIG. 28 X
5,096,537 3/1992 Bergquist et al. 159/48.1 X

[75] Inventor: **Tetsuo Sakamoto, Tokyo, Japan**

[73] Assignee: **Sakamoto Engineering Co., Ltd., Tokyo, Japan**

[**] Term: **14 Years**

[21] Appl. No.: **574,254**

[22] Filed: **Aug. 29, 1990**

[30] **Foreign Application Priority Data**

Mar. 7, 1990 [JP] Japan 2-7855

[52] U.S. Cl. **D32/1**

[58] Field of Search **D15/144; D32/1, 15, D32/16; 34/10, 57 R; 159/4.2, 48.1, DIG. 28, DIG. 41; 202/236; 203/90**

[56] **References Cited**

U.S. PATENT DOCUMENTS

4,683,026 7/1987 Feres 159/DIG. 41 X

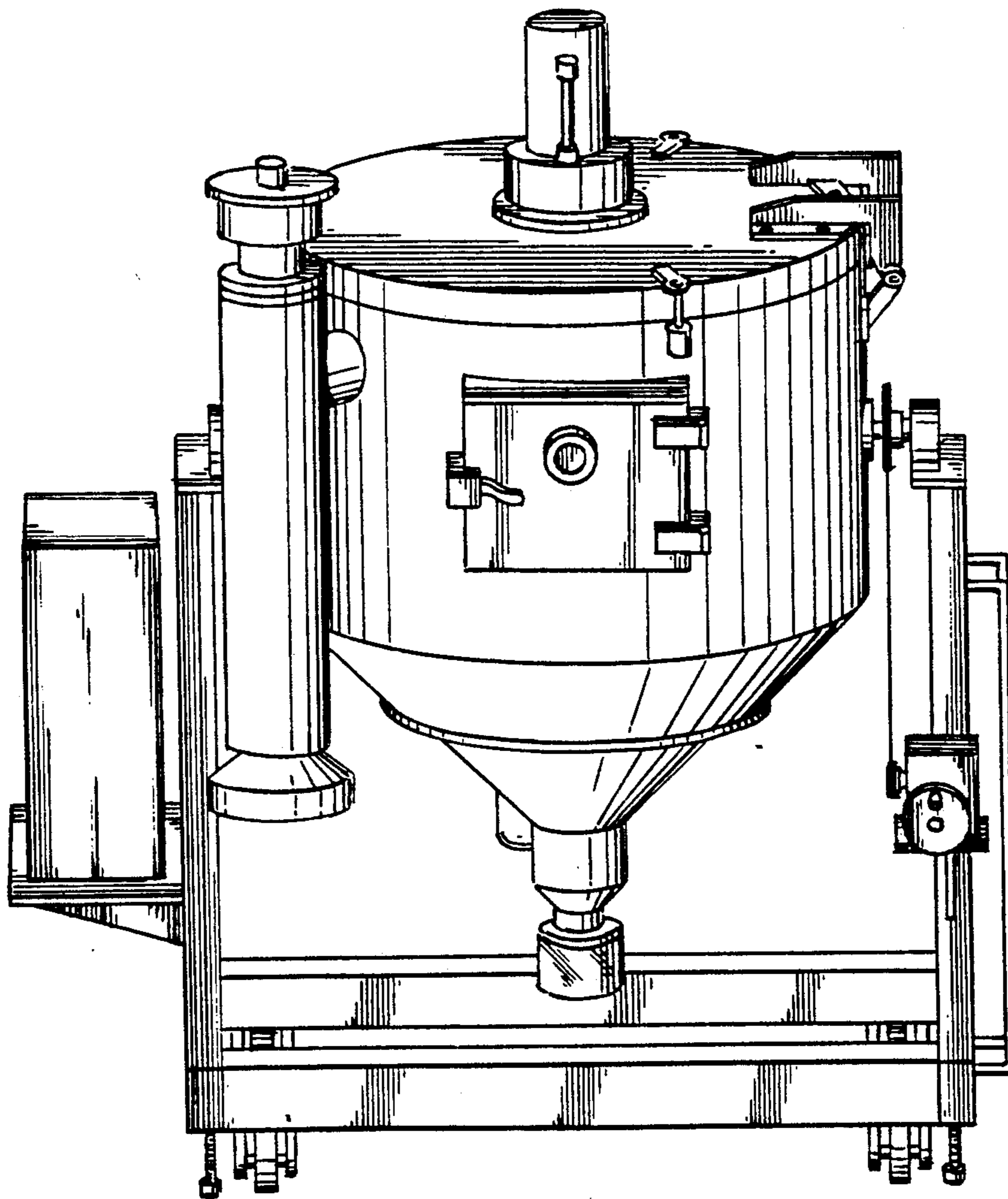
Primary Examiner—Alan P. Douglas
Assistant Examiner—Antoine D. Davis
Attorney, Agent, or Firm—Watson, Cole, Grindle & Watson

[57] **CLAIM**

An ornamental design for a spray dryer, as shown and described.

DESCRIPTION

FIG. 1 is a front elevation of a spray dryer showing my new design;
FIG. 2 is a right-side elevation thereof;
FIG. 3 is a left-side elevation thereof;
FIG. 4 is a rear elevation thereof;
FIG. 5 is a top plan thereof;
FIG. 6 is a bottom plan thereof; and,
FIG. 7 is a perspective view of the right side thereof, as seen from above.



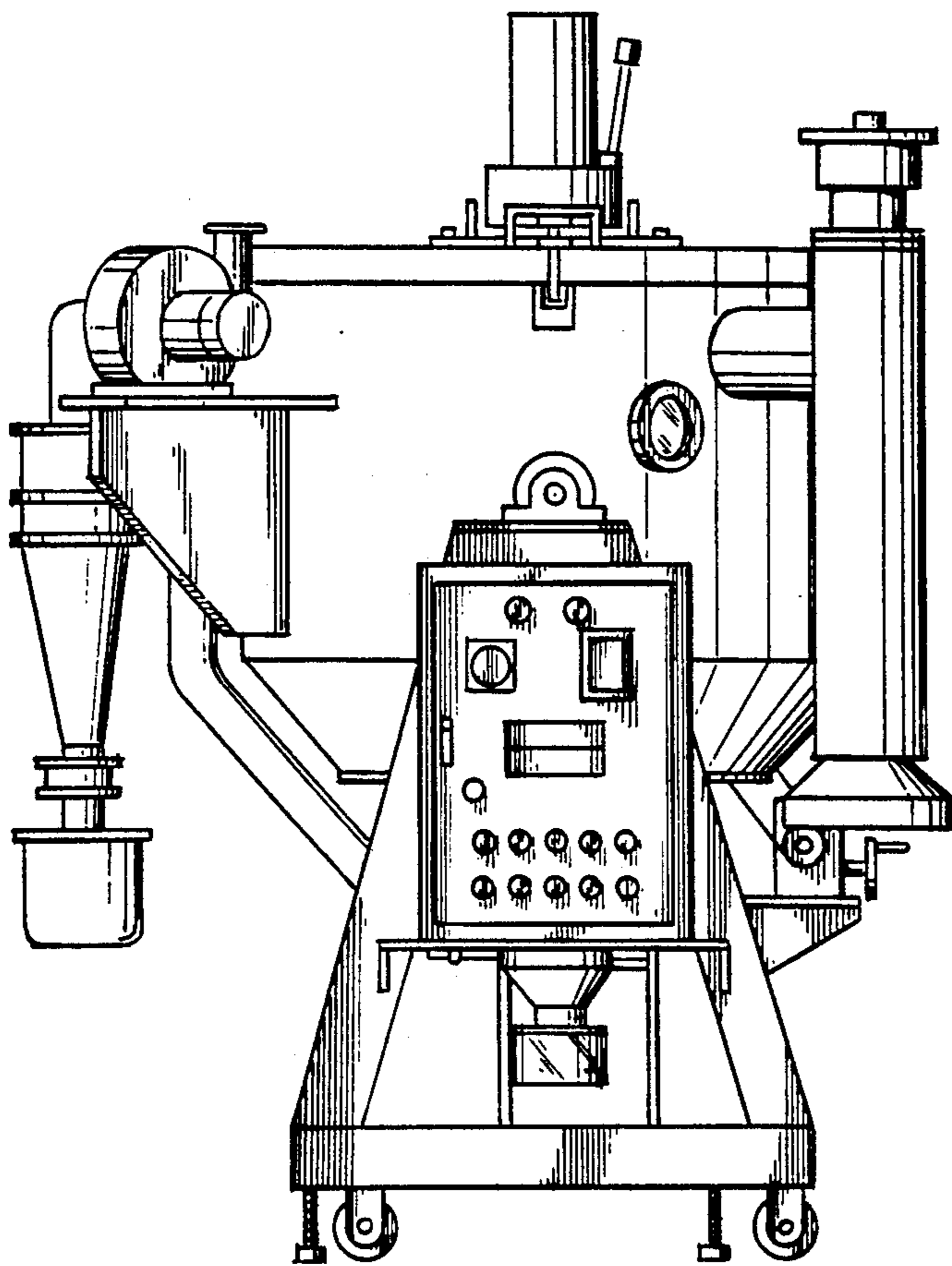


FIG. 2

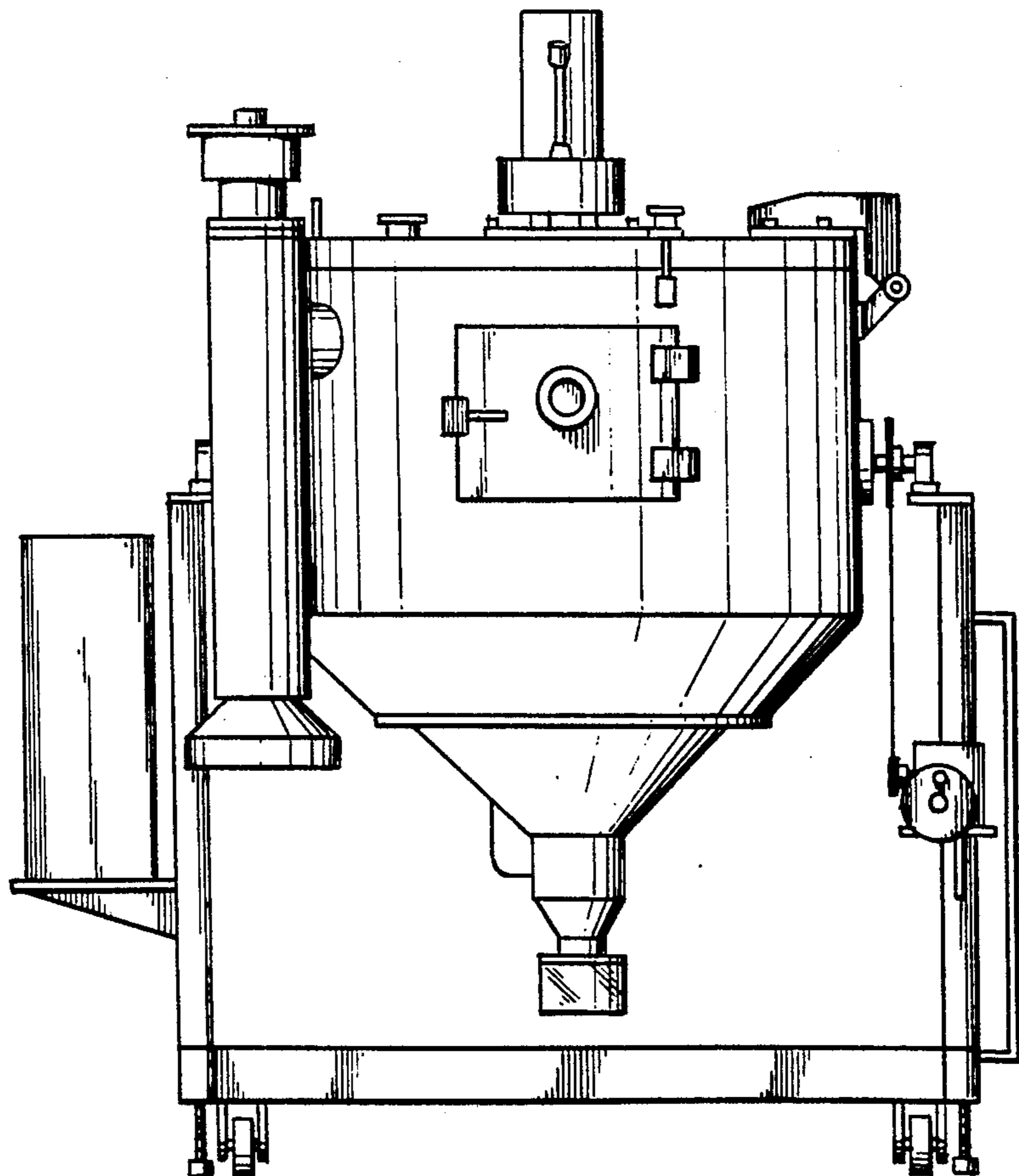


FIG. 3

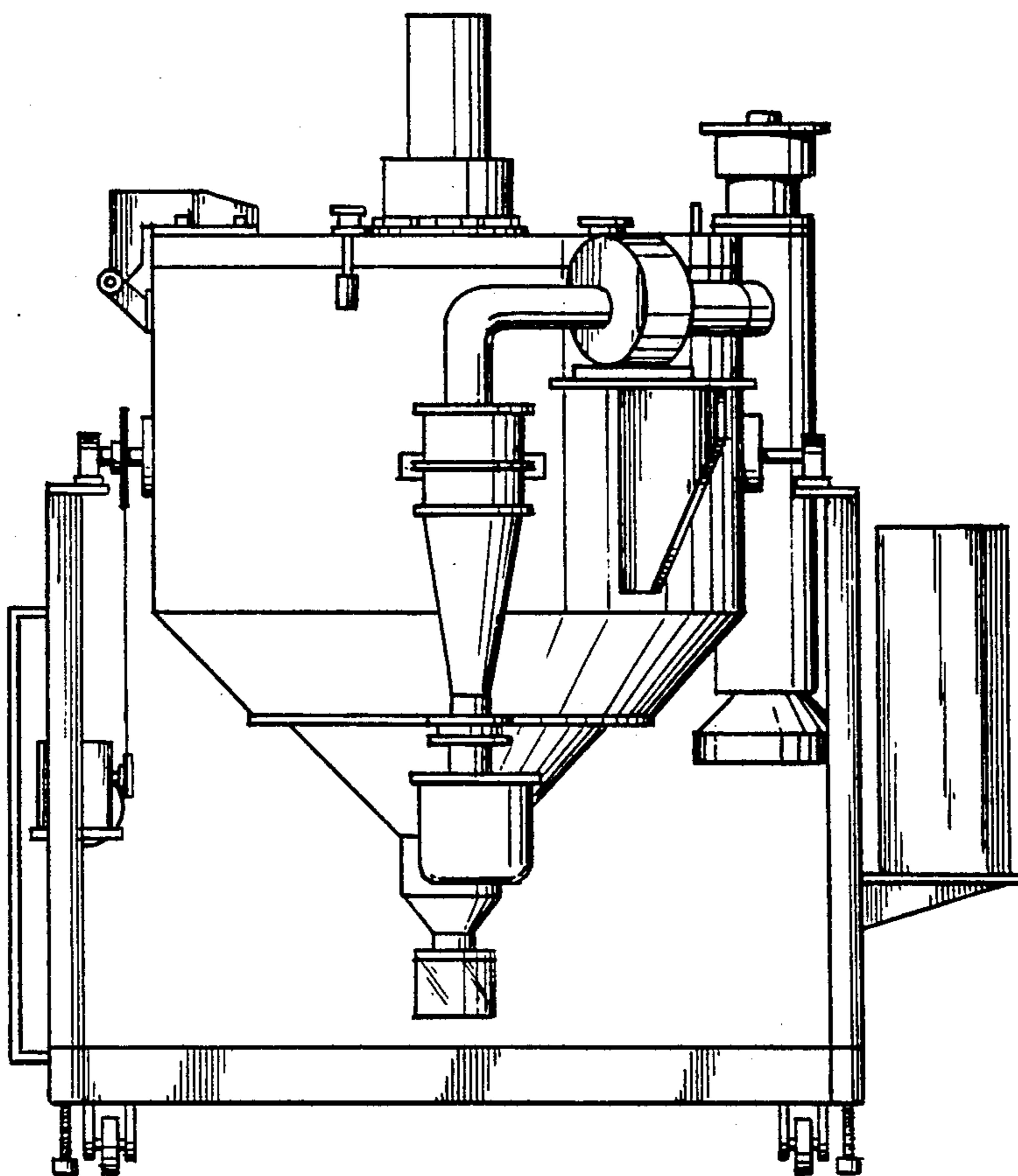


FIG. 4

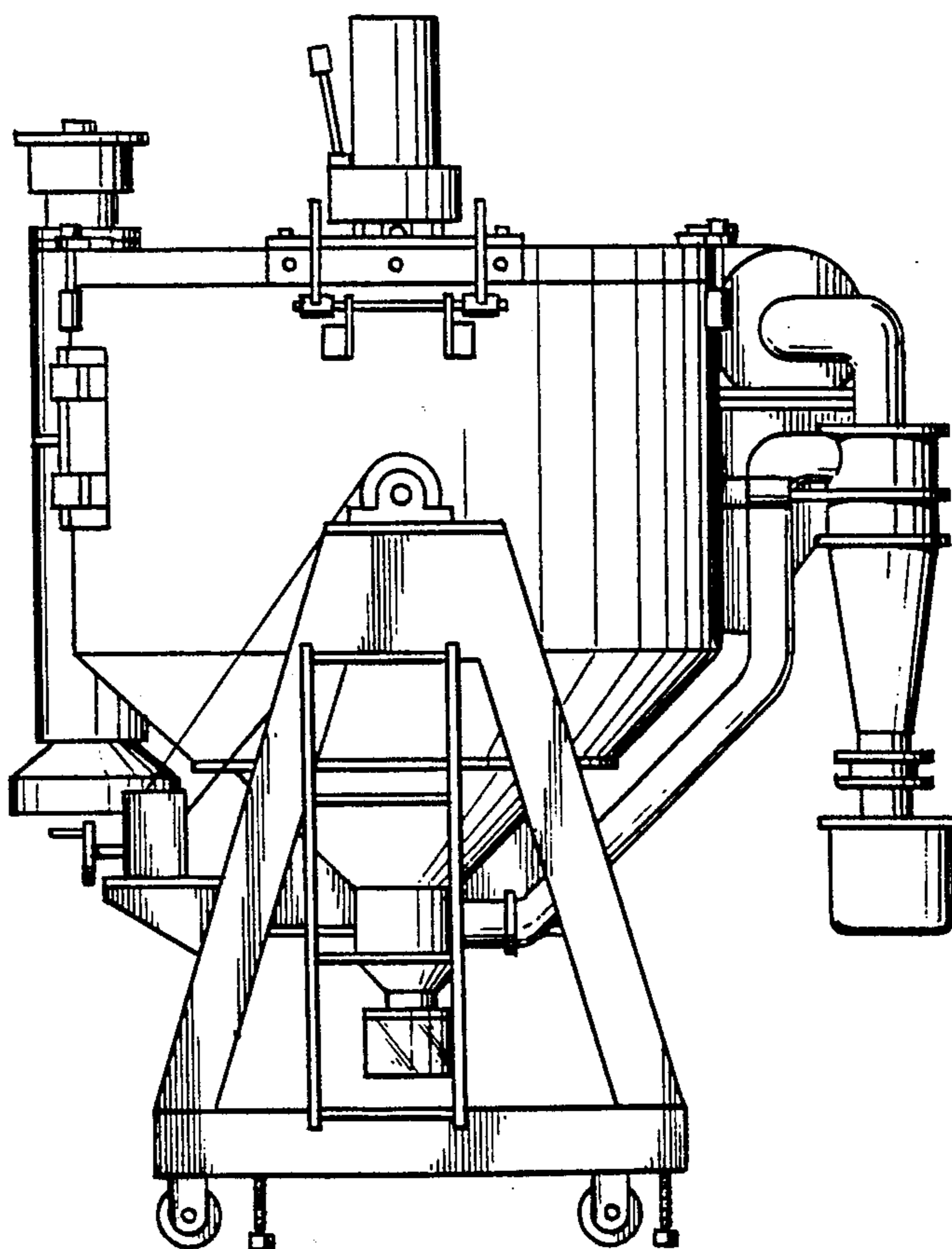


FIG. 5

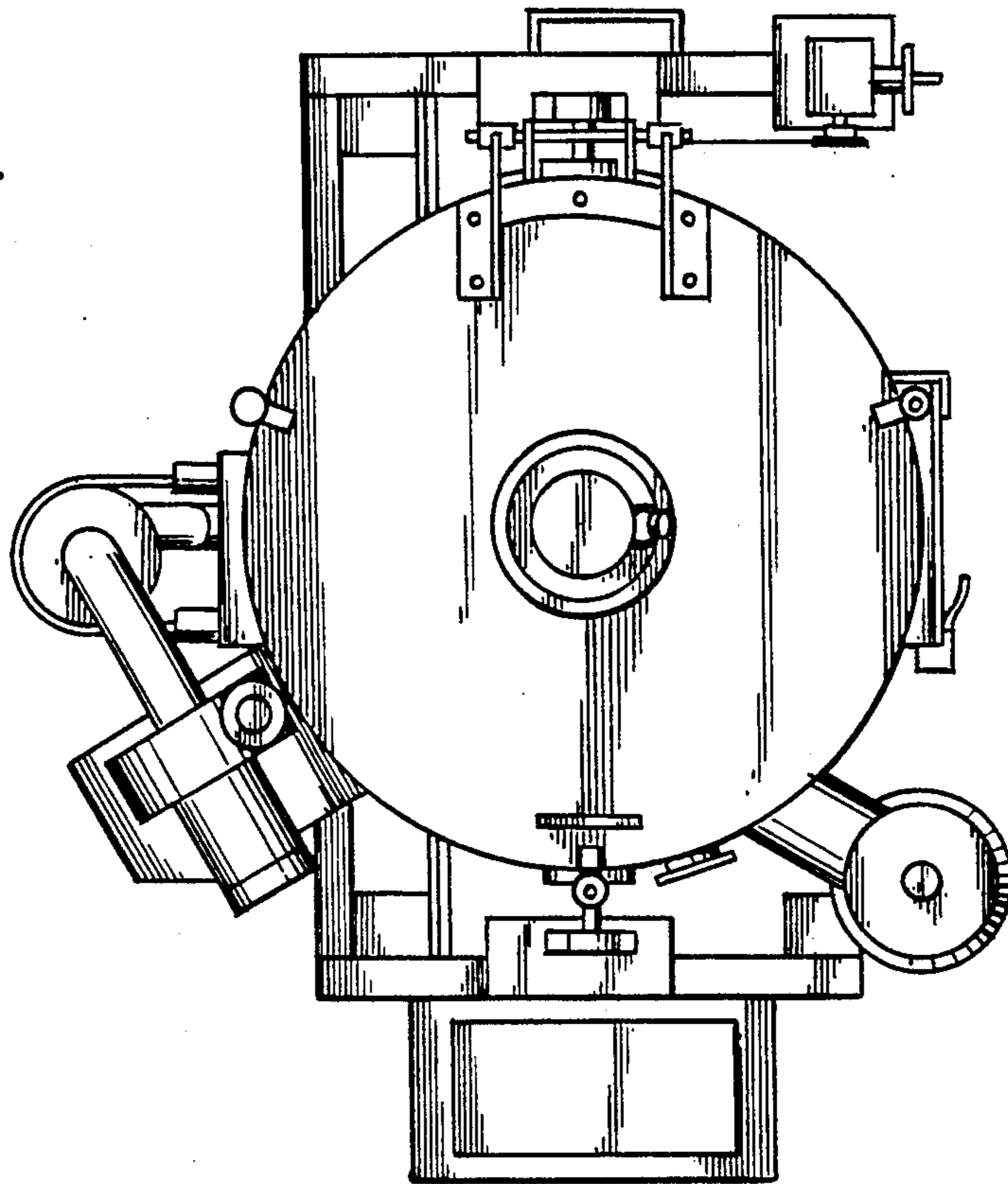


FIG. 6

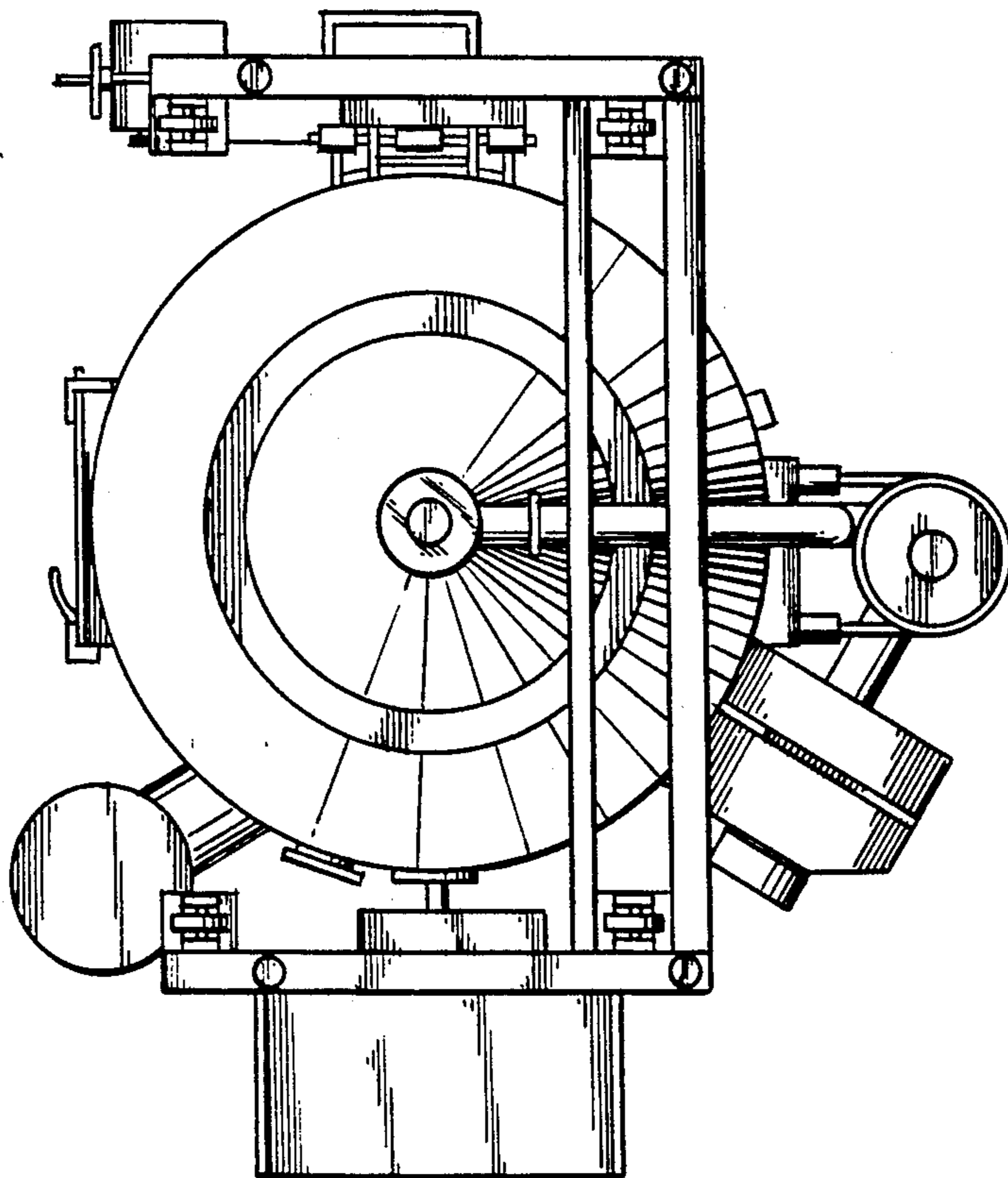


FIG. 7

