



US00D339880S

United States Patent [19] Greubel

[11] Patent Number: **Des. 339,880**

[45] Date of Patent: **** Sep. 28, 1993**

[54] **HAIR DRYER HOOD**

[75] Inventor: **Juergen Greubel, Heidenrod, Fed. Rep. of Germany**
[73] Assignee: **Wella Aktiengesellschaft, Darmstadt, Fed. Rep. of Germany**

[**] Term: **14 Years**

[21] Appl. No.: **589,485**

[22] Filed: **Sep. 27, 1990**

[30] **Foreign Application Priority Data**

Nov. 12, 1989 [DE] Fed. Rep. of Germany 9003390
[52] U.S. Cl. **D28/19**
[58] Field of Search D28/10, 12, 17-19;
132/212, 272; 34/96-101

[56] **References Cited**

U.S. PATENT DOCUMENTS

D. 208,384 8/1967 Rakocy D28/17
D. 219,872 2/1971 Larsen D28/15
D. 241,780 10/1976 Nagelkerke D28/19
2,966,550 12/1960 Goldberg et al. D28/19 X

FOREIGN PATENT DOCUMENTS

865515 2/1953 Fed. Rep. of Germany 34/99
2113332 9/1972 Fed. Rep. of Germany 34/99
978814 4/1951 France 132/212
1144443 10/1957 France 132/212

Primary Examiner—B. J. Bullock
Assistant Examiner—C. Tuttle
Attorney, Agent, or Firm—Michael J. Striker

[57] **CLAIM**

The ornamental design for a hair dryer hood, as shown and described.

DESCRIPTION

FIG. 1 is a top front perspective view of a hair dryer hood showing my new design;
FIG. 2 is a right side elevational view thereof, the side opposite being a mirror image;
FIG. 3 is a front elevational view thereof;
FIG. 4 is a top plan view thereof;
FIG. 5 is a rear elevational view thereof; and,
FIG. 6 is a bottom plan view thereof.
The broken line showing of hair dryer stand is for illustrative purposes only and forms no part of the claimed design.

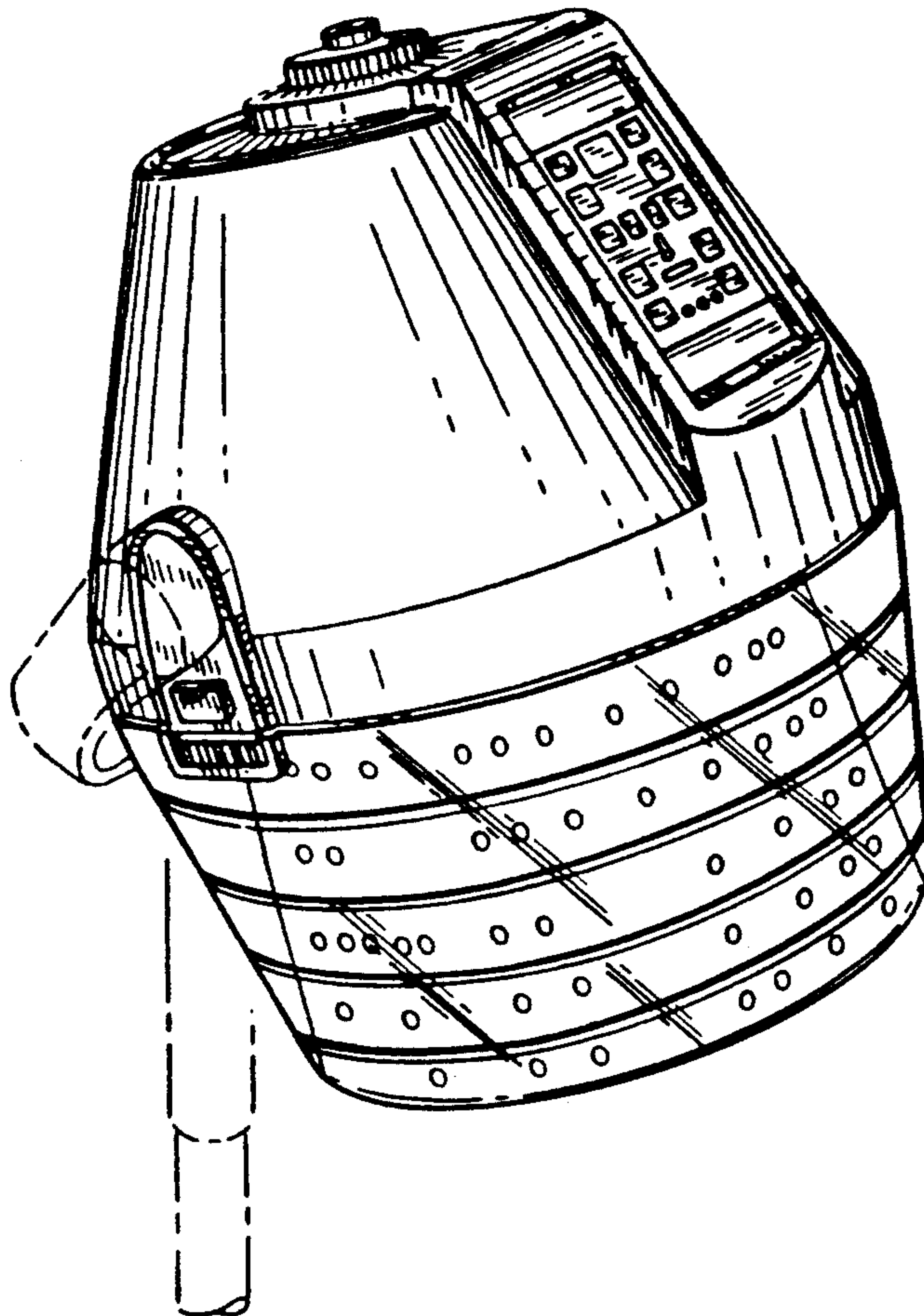


FIG. 2

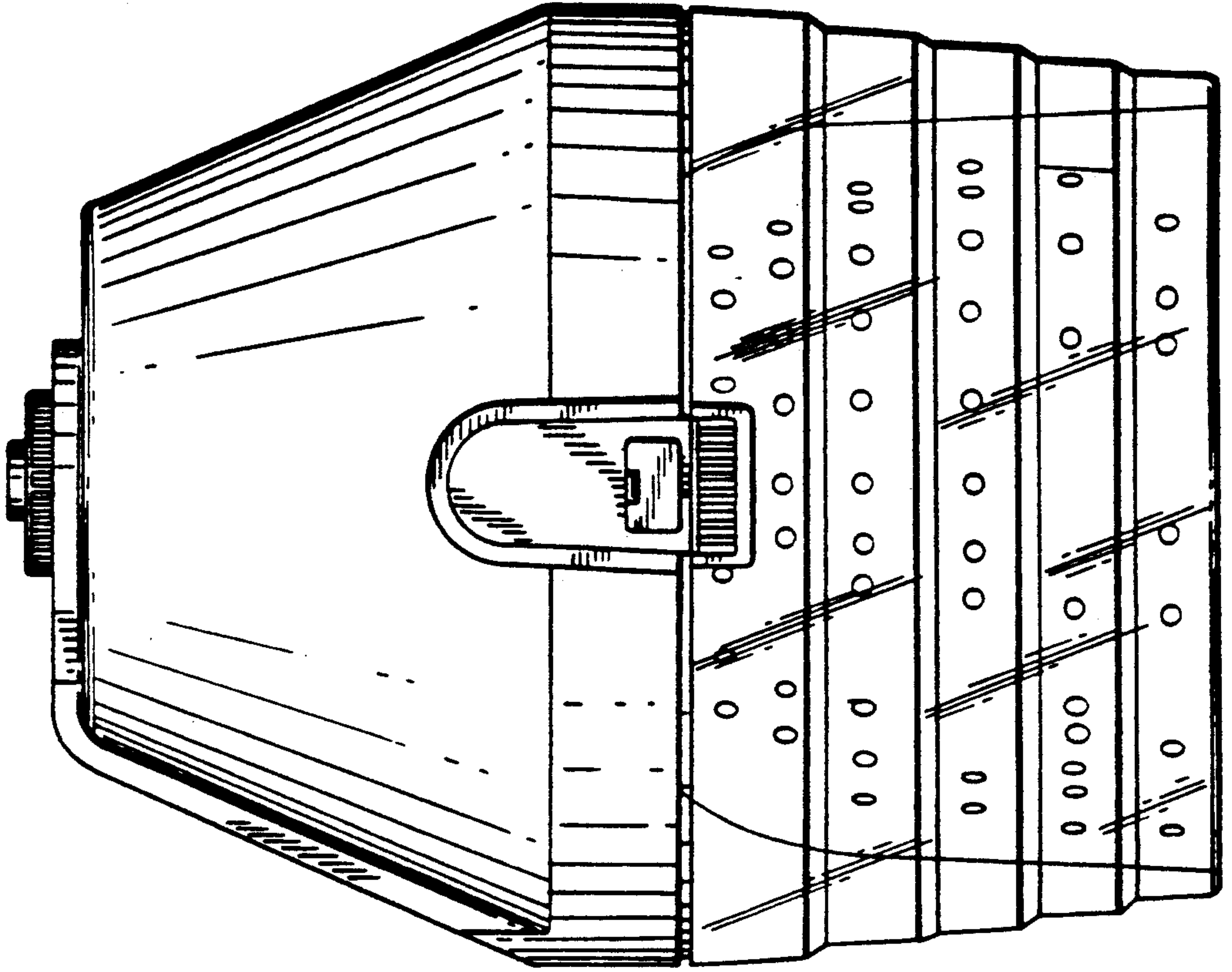


FIG. 1

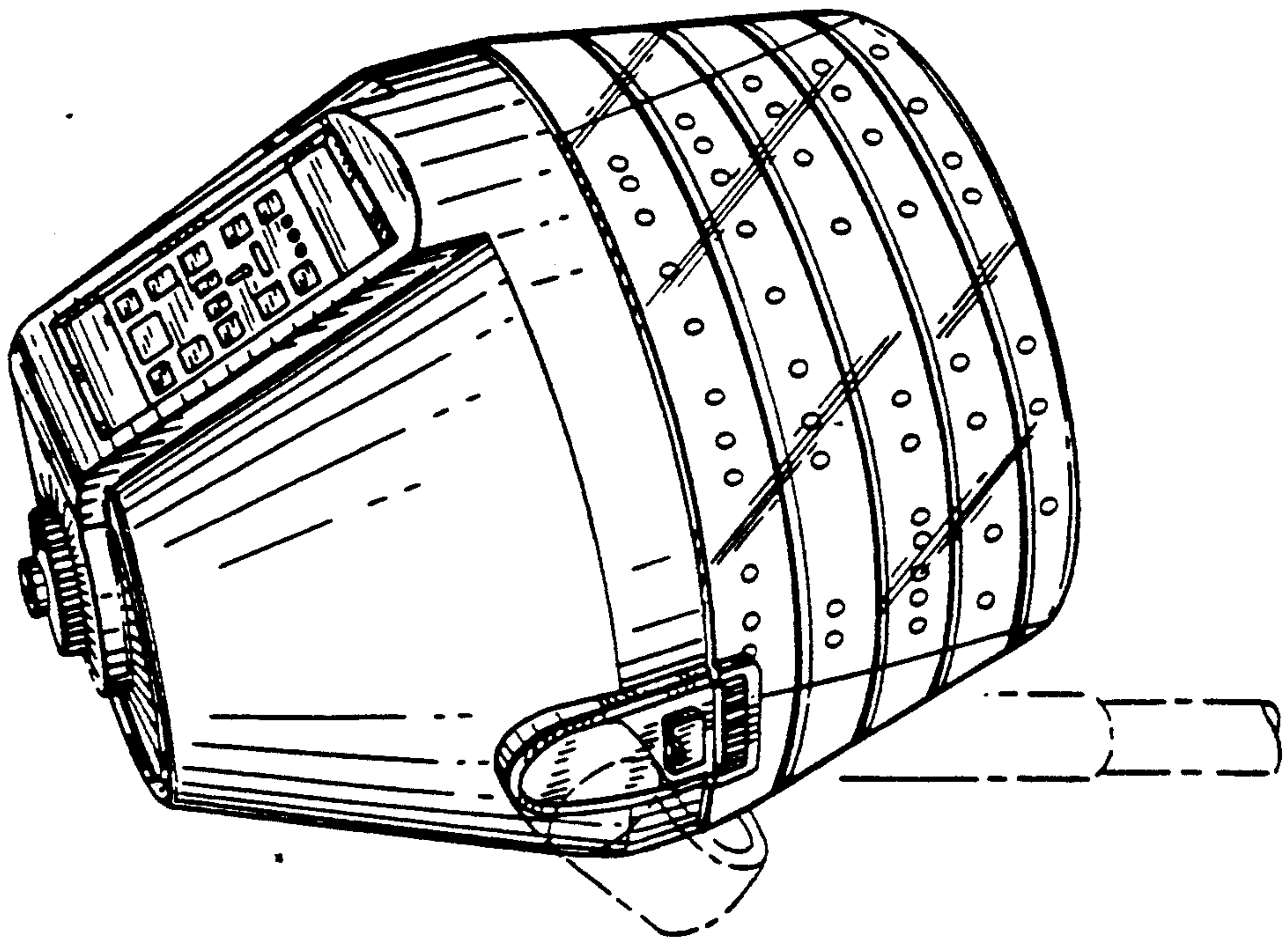


FIG. 4

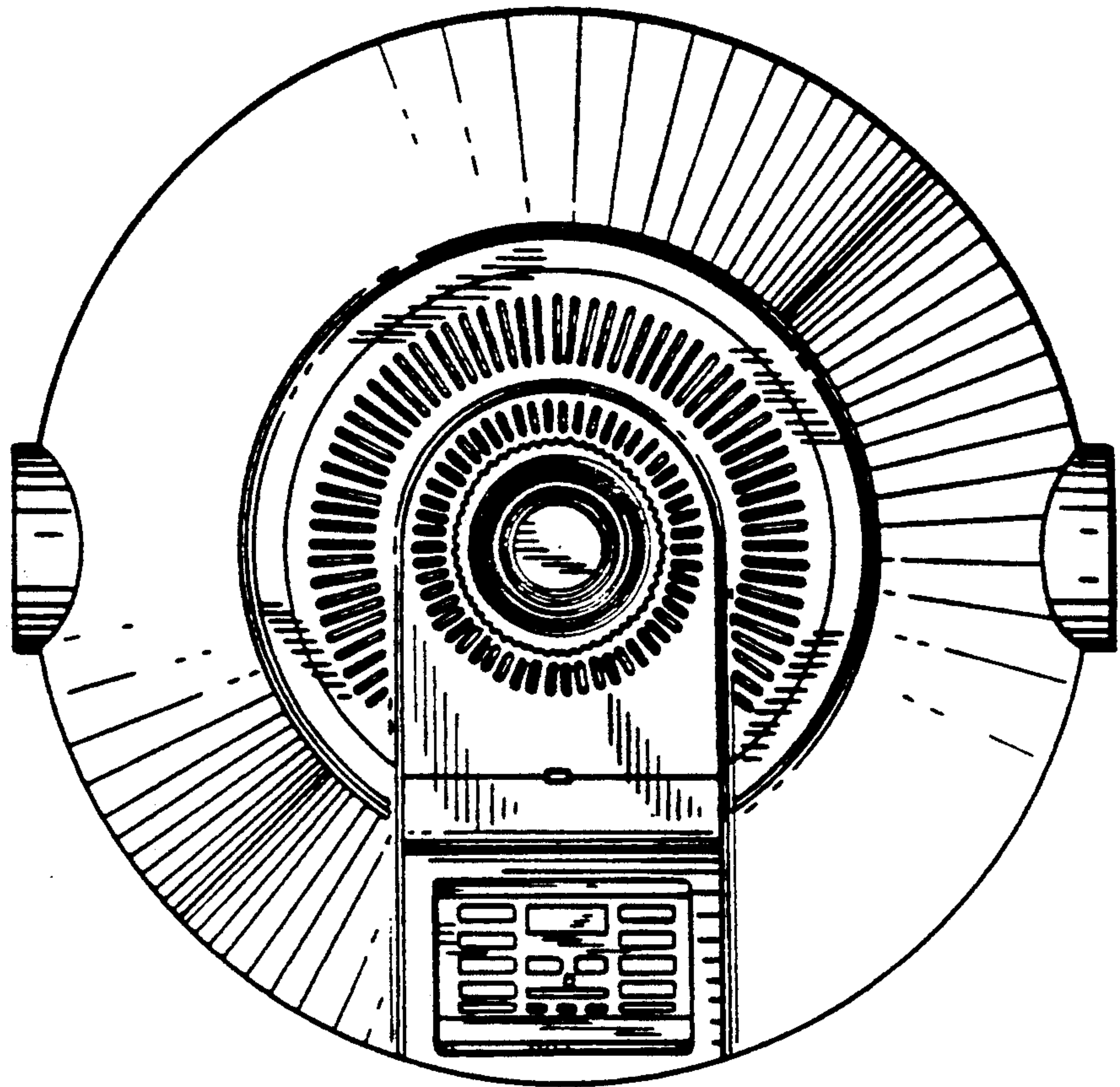


FIG. 3

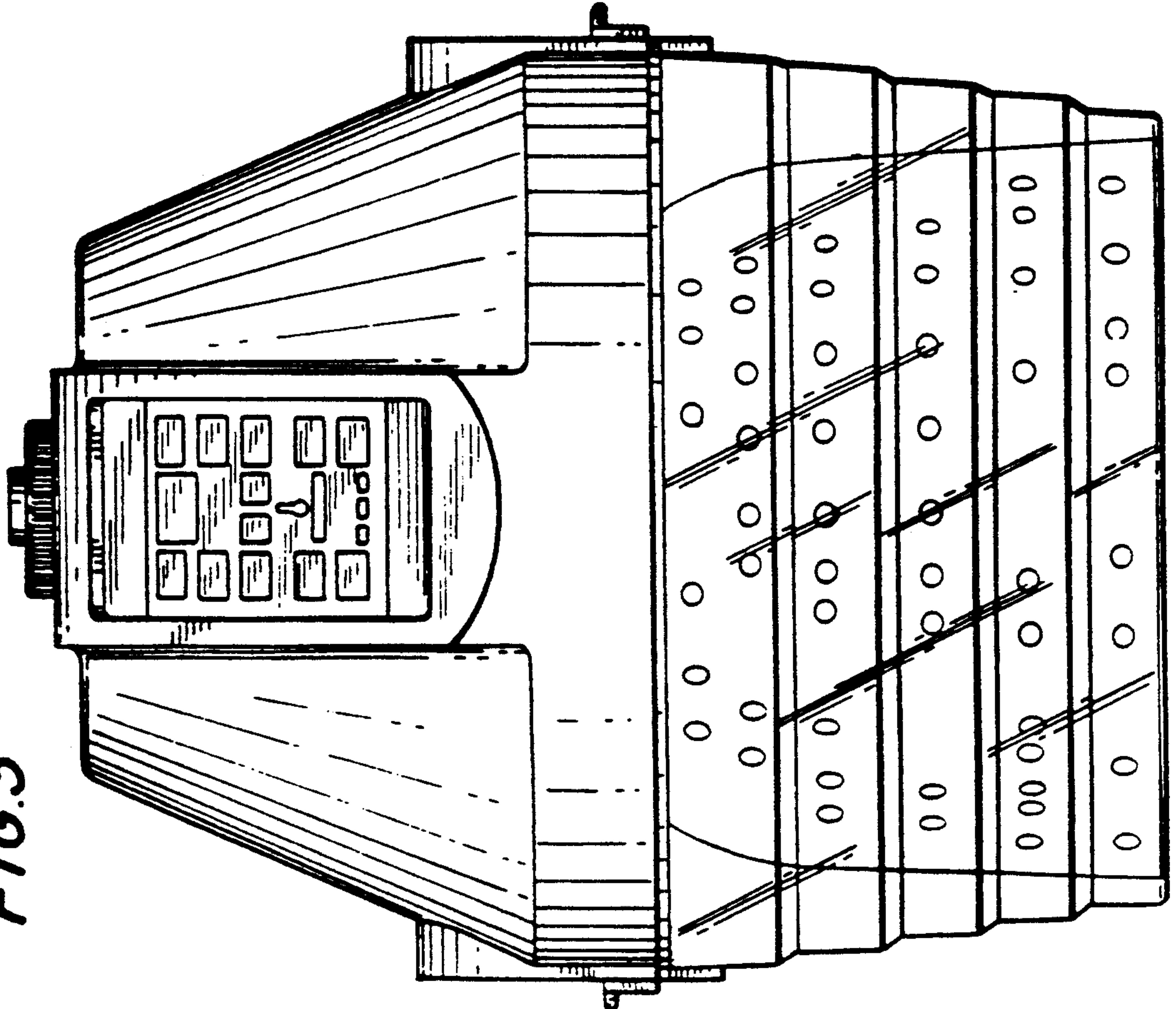


FIG.6

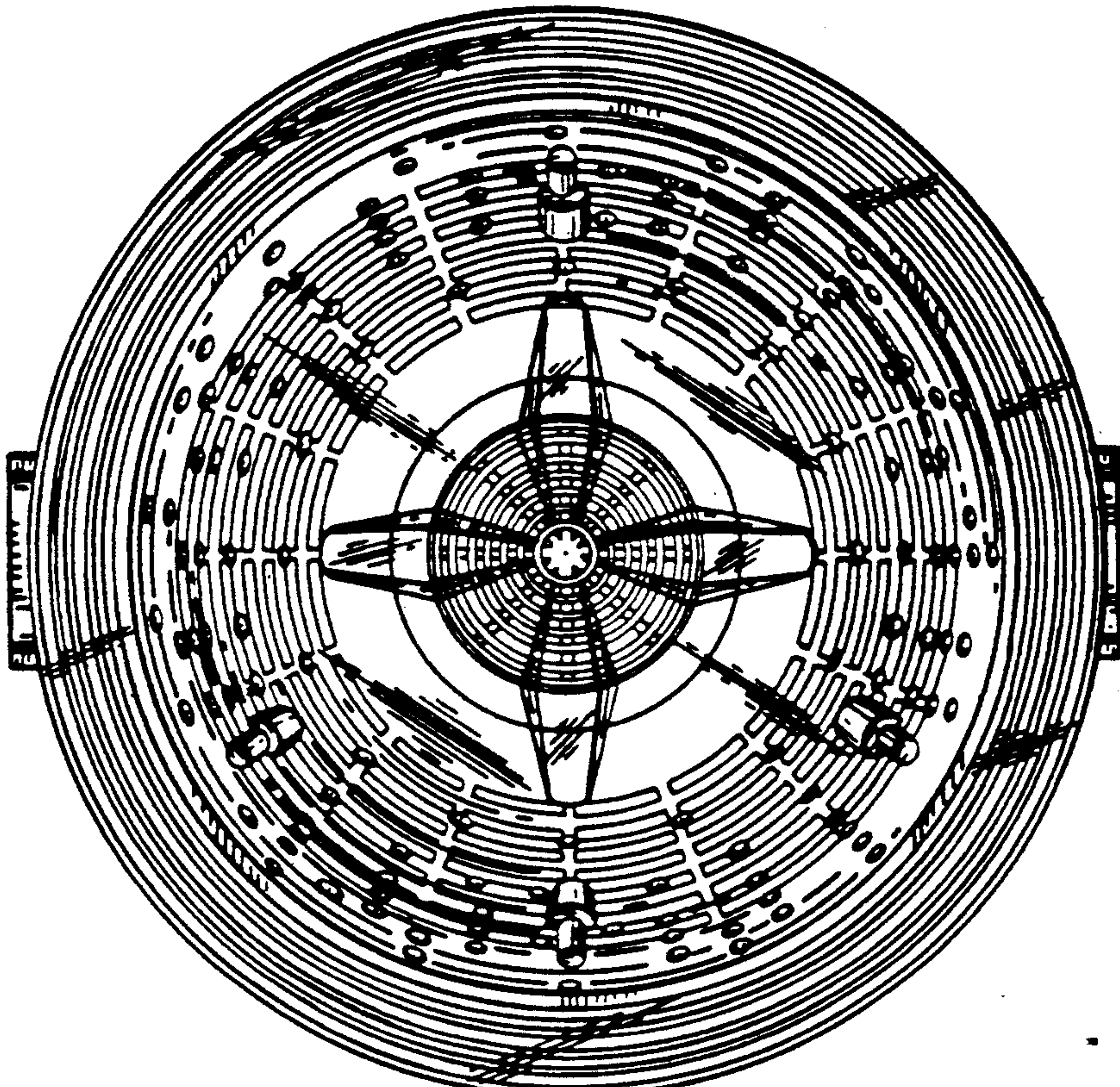


FIG.5

