



US00D339877S

United States Patent [19]

[11] Patent Number: **Des. 339,877**

Ewing et al.

[45] Date of Patent: **** Sep. 28, 1993**

[54] POLE MOUNTED STREET LUMINAIRE

[75] Inventors: **Robert L. Ewing, Newark; Richard A. Peterson, Columbus, both of Ohio**

[73] Assignee: **Holophane Company, Inc., Newark, Ohio**

[**] Term: **14 Years**

[21] Appl. No.: **842,585**

[22] Filed: **Feb. 27, 1992**

[52] U.S. Cl. **D26/67**

[58] Field of Search **D26/67-71;**
362/153.1, 431, 362, 363, 367

[56] References Cited

U.S. PATENT DOCUMENTS

- D. 226,129 1/1973 Donato D26/68
- D. 231,680 5/1974 Keller D26/68

OTHER PUBLICATIONS

Holophane Vista/Sphere Luminaires Catalog, 1972, p. 2, Outdoor Luminaire C.

Primary Examiner—Susan J. Lucas
Attorney, Agent, or Firm—Brooks & Kushman

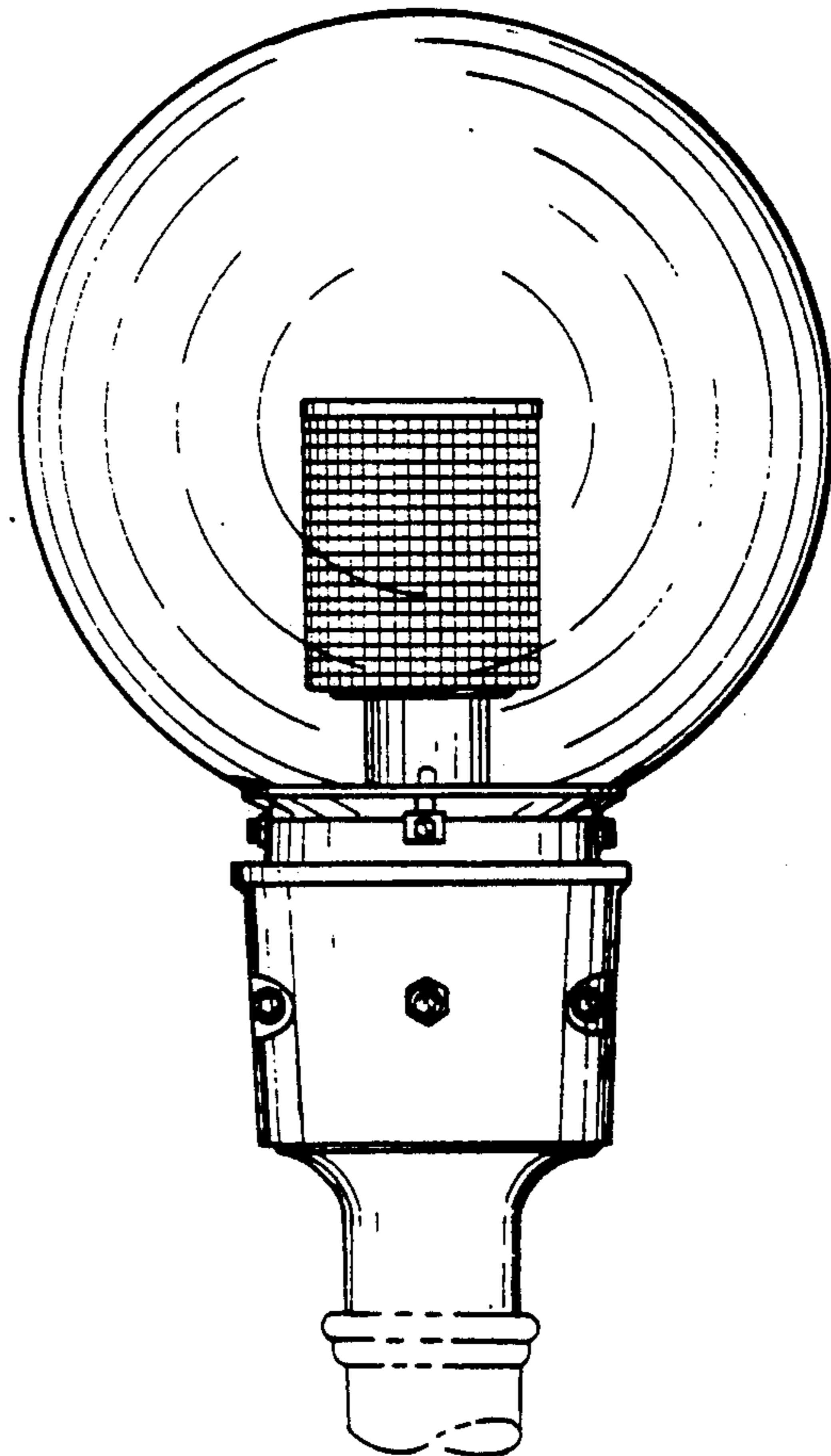
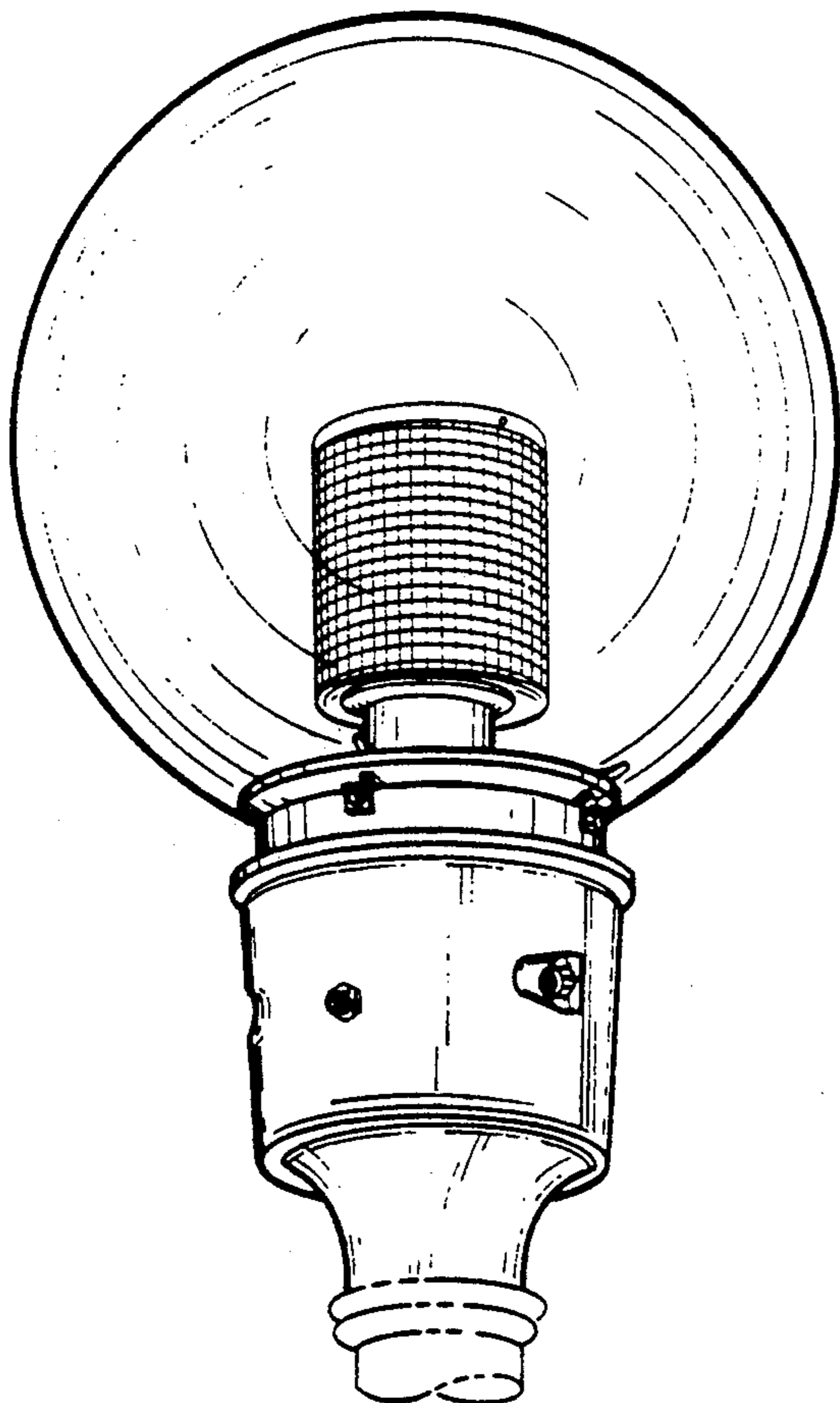
[57] CLAIM

The ornamental design for a pole mounted street luminaire, as shown and described.

DESCRIPTION

FIG. 1 is a perspective view of our new design; FIG. 2 is a front elevational view; FIG. 3 is a left side elevational view; FIG. 4 is a right side elevational view; FIG. 5 is a top plan view; and, FIG. 6 is a rear elevational view.

The broken lines are shown for illustrative purposes only and form no part of the claimed design.



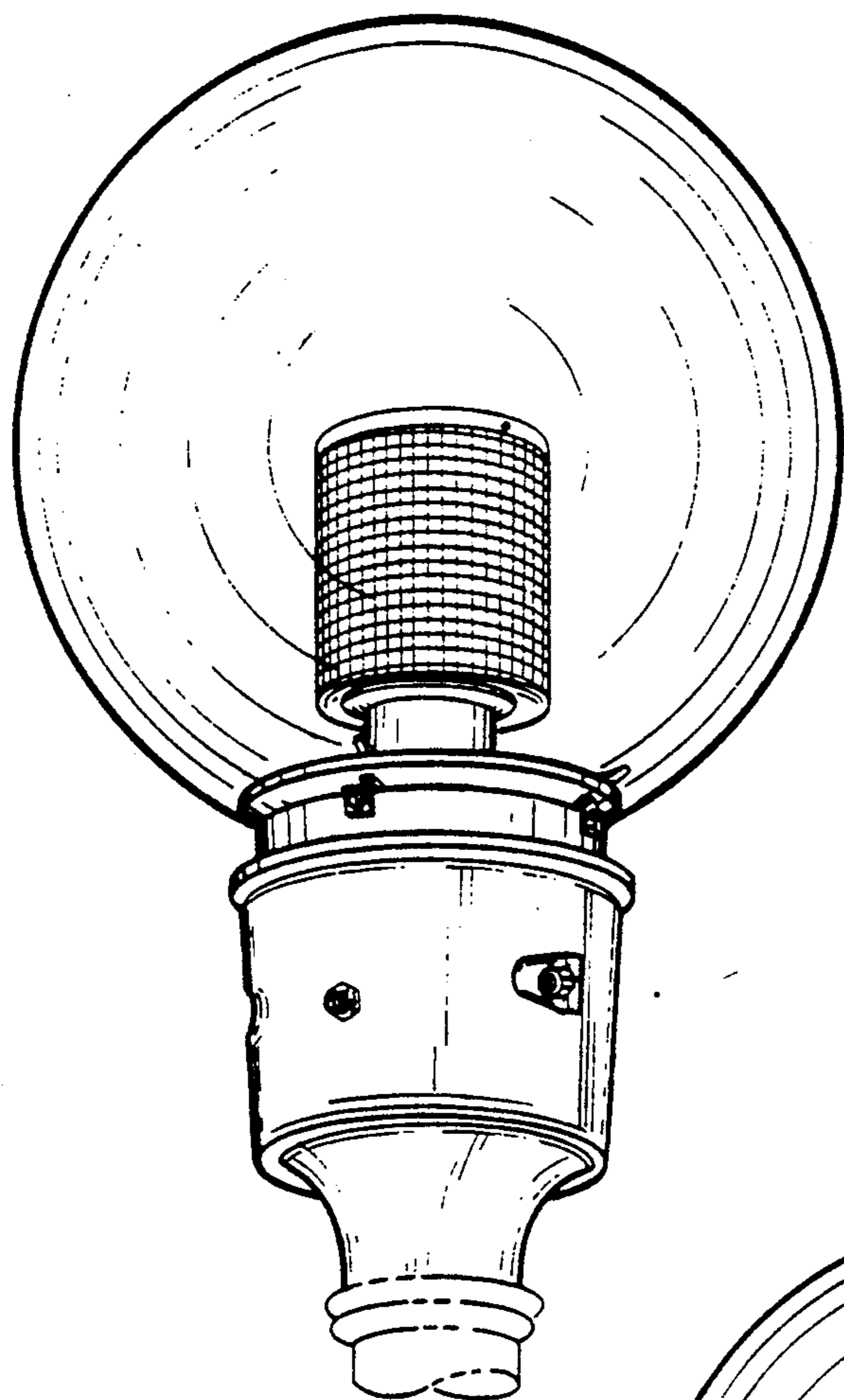


Fig-1

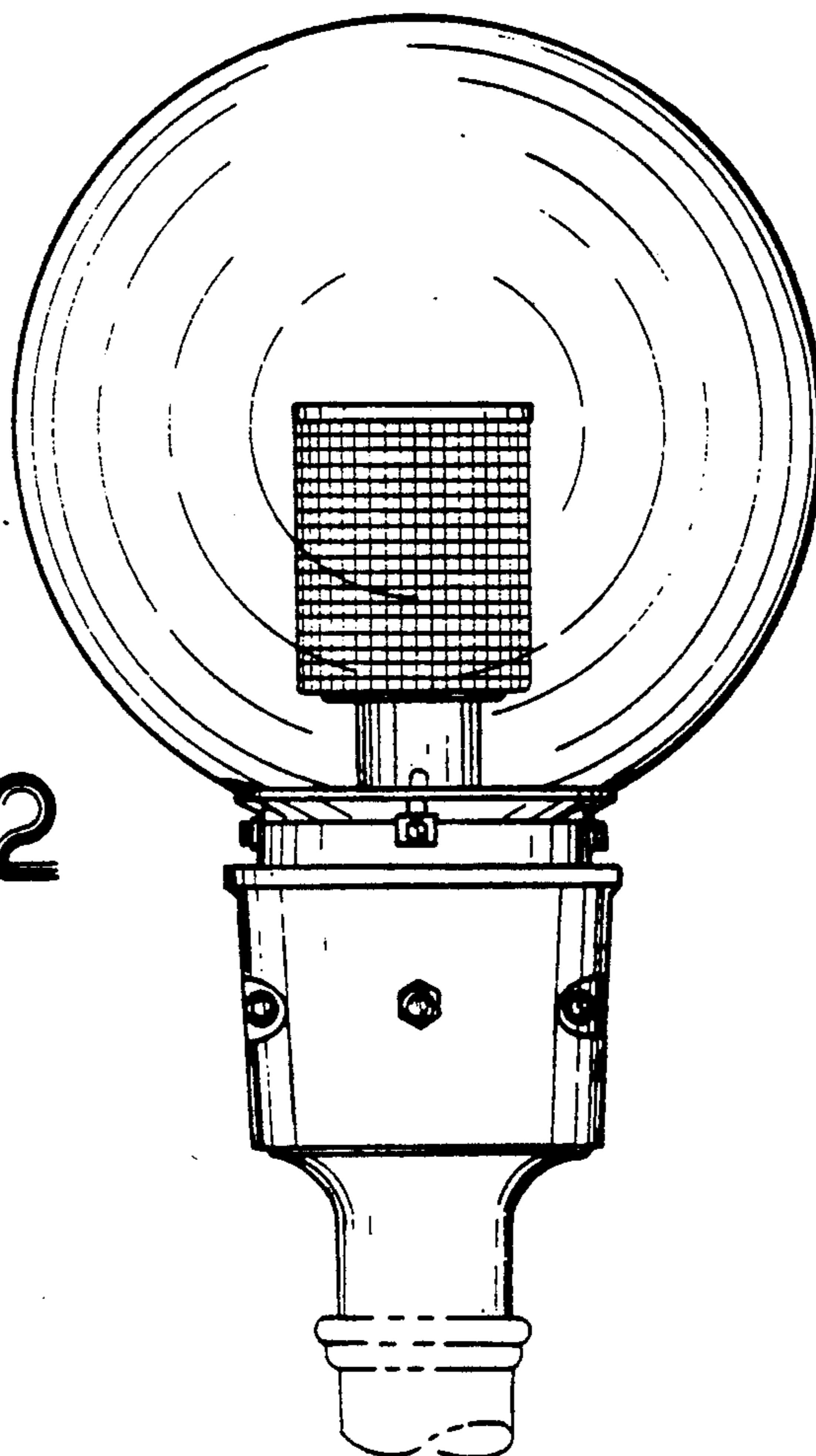


Fig-2

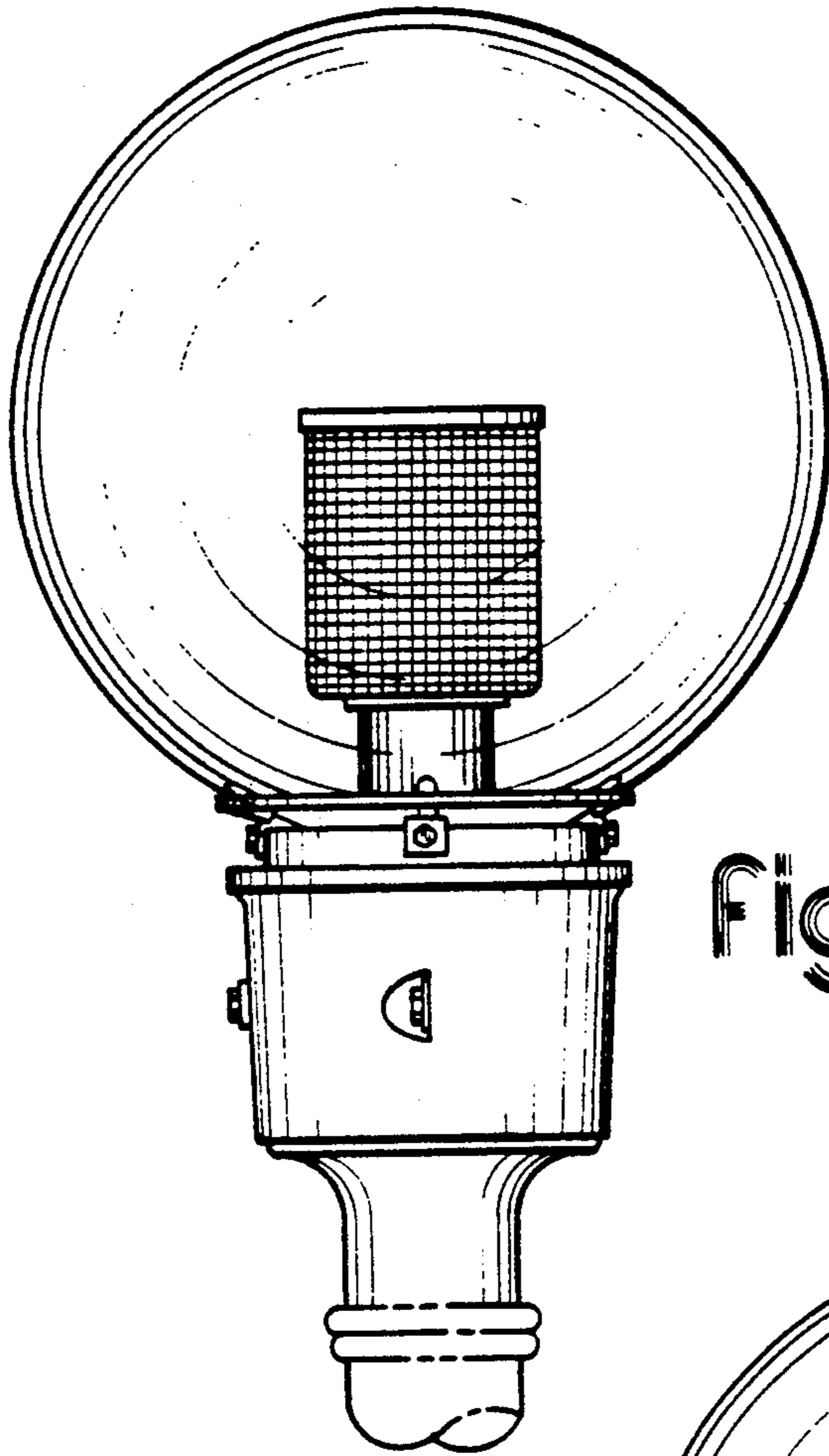


Fig-3

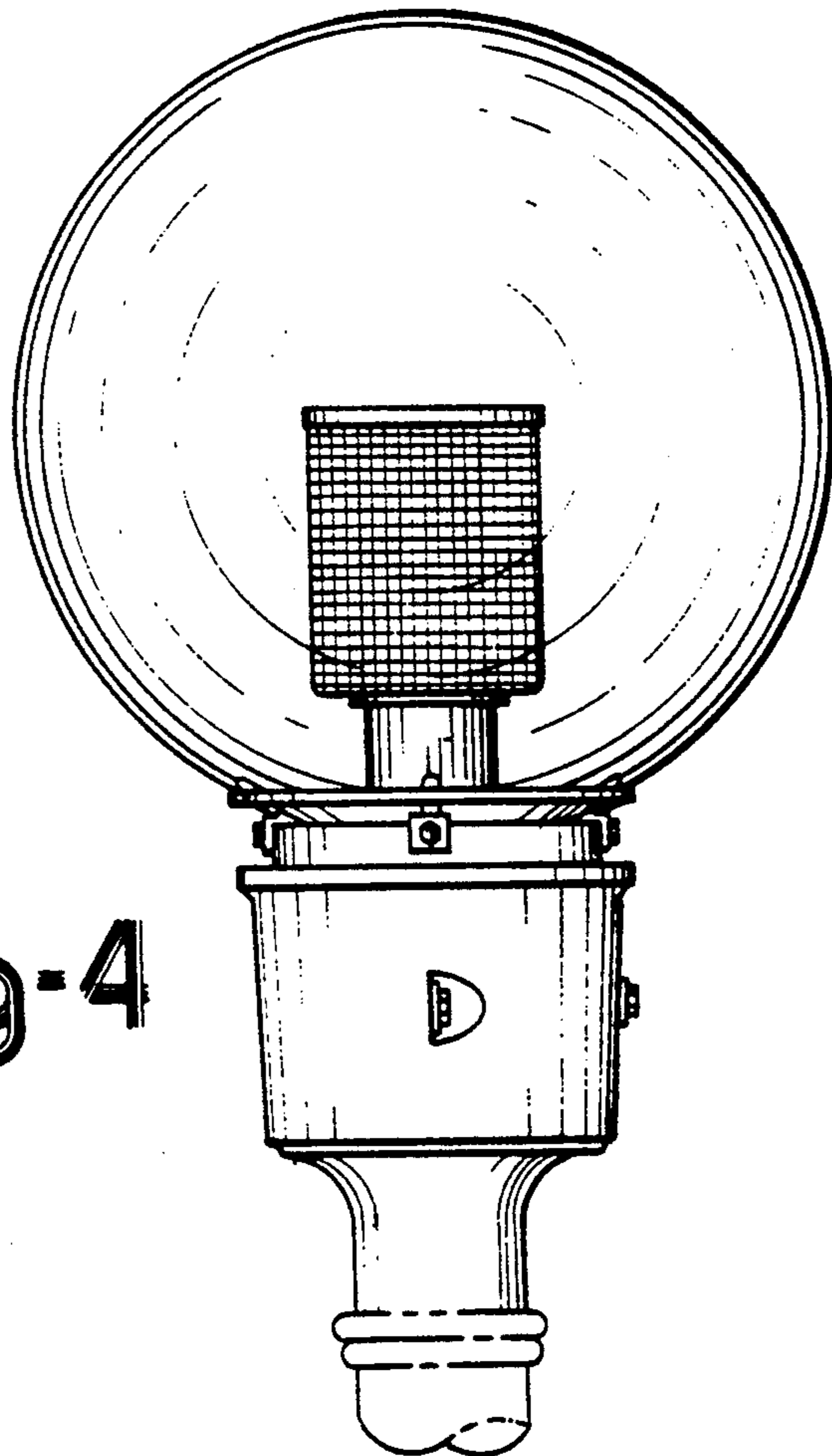


Fig-4

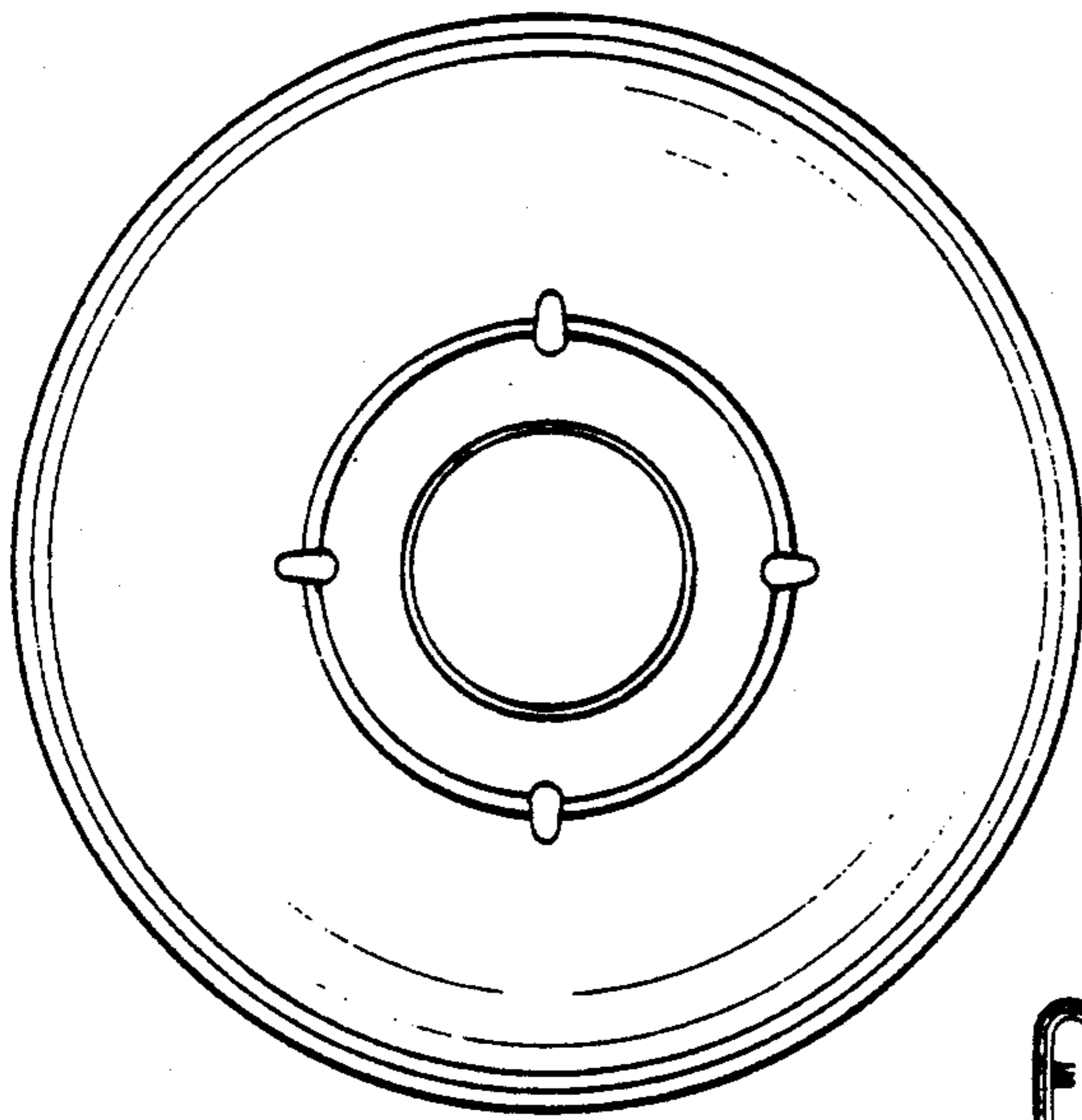


Fig-5

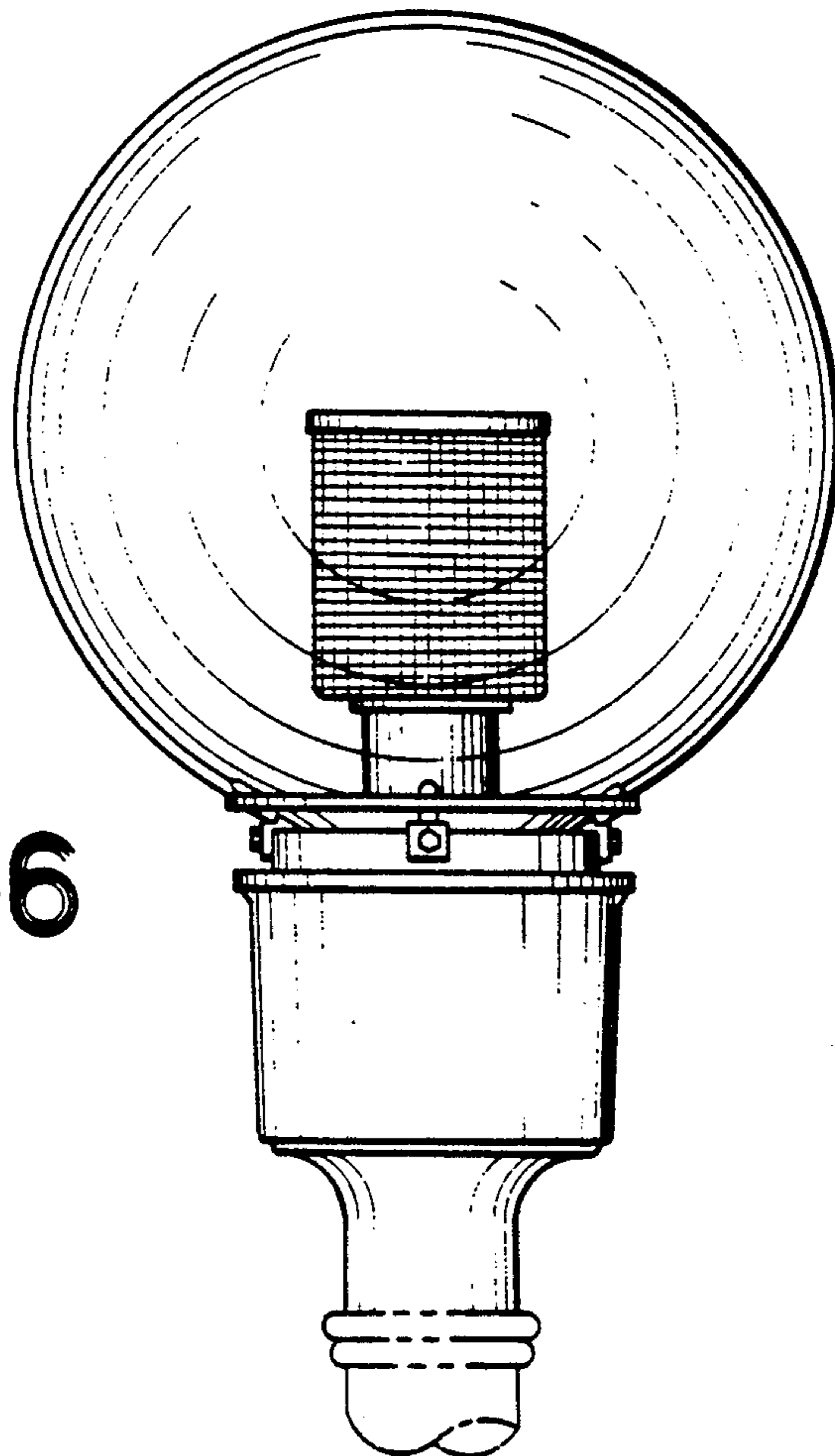


Fig-6