



US00D339875S

United States Patent [19]

[11] Patent Number: Des. 339,875

Schutz et al.

[45] Date of Patent: ** Sep. 28, 1993

[54] SIDING JOINT COVER WITH LOCKING TABS

[75] Inventors: William J. Schutz, St. Charles, Ill.;
Gregg A. Laurie, Zion Grove, Pa.;
Larry A. Demaree, Birmingham, Mich.

[73] Assignee: Composite Products, Inc., Hazelton, Pa.

[**] Term: 14 Years

[21] Appl. No.: 693,271

[22] Filed: Apr. 26, 1991

[52] U.S. Cl. D25/139; D8/394

[58] Field of Search D25/58, 139; D8/385,
D8/394; 52/551-552, 489-490, 393-394, 398,
400, 412, 462, 478, 531, 520, 361

[56] **References Cited**

U.S. PATENT DOCUMENTS

1,356,930	10/1920	McCord, Jr.	52/394
1,865,401	6/1932	Shoman	52/394
2,109,447	2/1938	Sattler	D25/139
3,195,701	7/1965	Brazelton	D25/58
3,320,709	5/1967	Schroter et al.	52/478
3,347,009	10/1967	Meddick	52/478
3,380,214	4/1968	Stevens	52/478
3,408,786	11/1968	Snyker	52/394
3,977,145	8/1976	Dabby et al.	52/531
4,356,673	11/1982	Gailey	52/531
4,700,522	10/1987	Simpson	52/478

Primary Examiner—A. Hugo Word
Assistant Examiner—Doris Clark
Attorney, Agent, or Firm—Edgar A. Zarins; Malcolm L. Sutherland

[57] **CLAIM**

The ornamental design for a siding joint cover with locking tabs, as shown and described.

DESCRIPTION

FIG. 1 is a perspective view of a siding joint cover with locking tabs showing our new design, the broken lines showing siding panels are for illustrative purposes only, and form no part of the claimed design;

FIG. 2 is a perspective view of a first embodiment of the siding joint cover with locking tabs;

FIG. 3 is a rear elevational view thereof;

FIG. 4 is a right side elevational view thereof;

FIG. 5 is a front elevational view thereof;

FIG. 6 is a left side elevational view thereof;

FIG. 7 is a bottom plan view thereof;

FIG. 8 is a top plan view thereof;

FIG. 9 is a perspective view of a second embodiment of a siding joint cover with locking tabs showing our new design, the broken lines showing siding panels are for illustrative purposes only, and form no part of the claimed design;

FIG. 10 is a rear elevational view thereof;

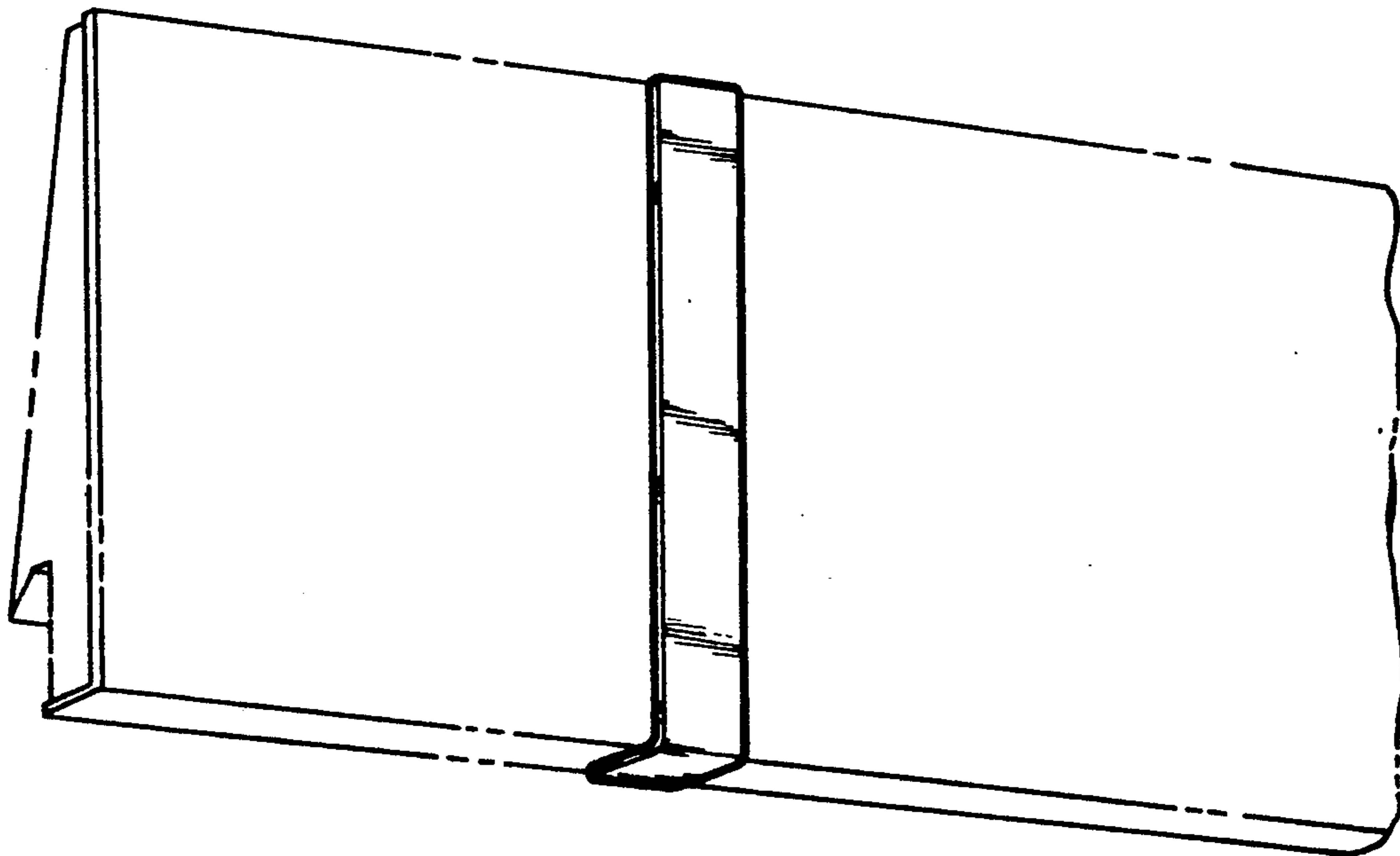
FIG. 11 is a right side elevational view thereof;

FIG. 12 is a front elevational view thereof;

FIG. 13 is a left side elevational view thereof;

FIG. 14 is a bottom plan view thereof; and,

FIG. 15 is a top plan view thereof.



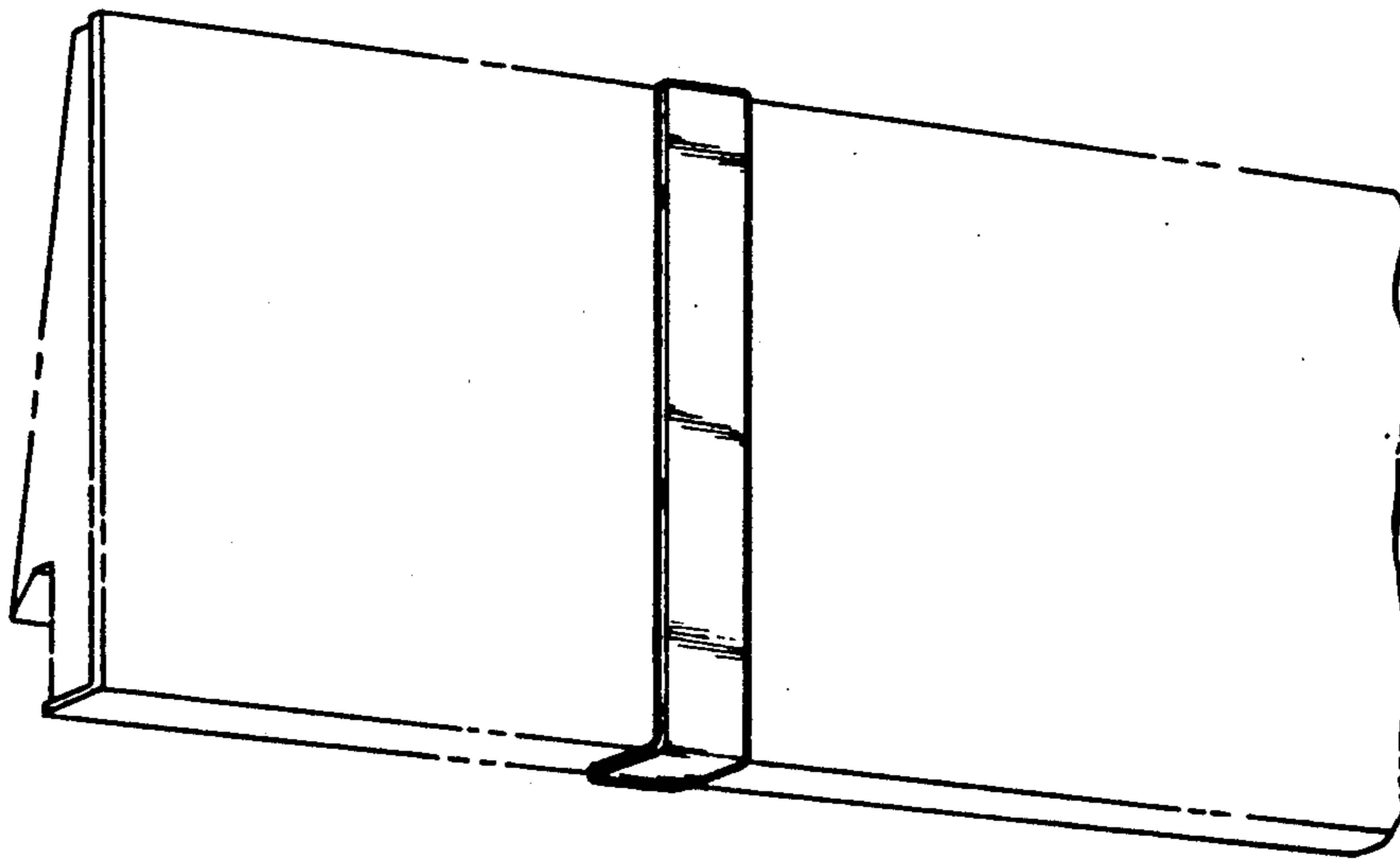


Fig-1

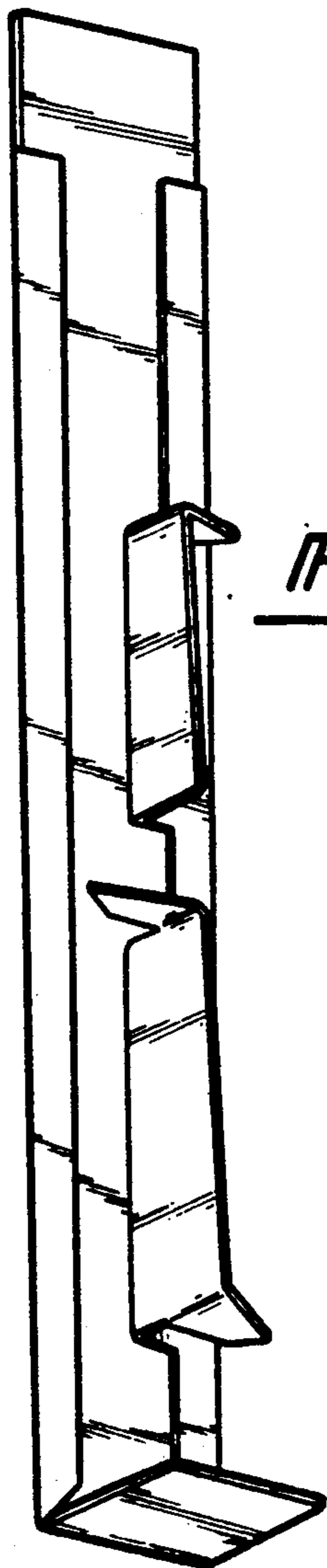


Fig-2

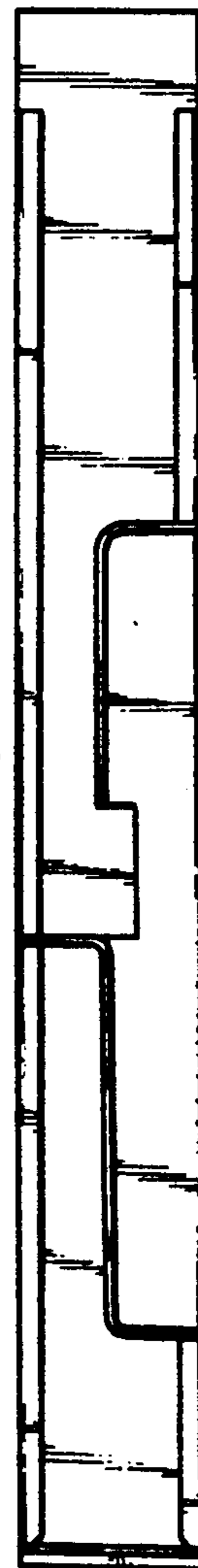


Fig-3

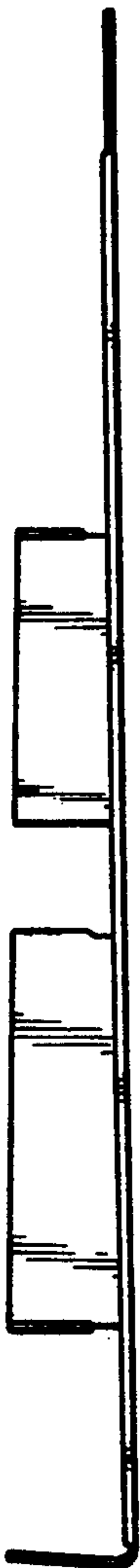


Fig-4

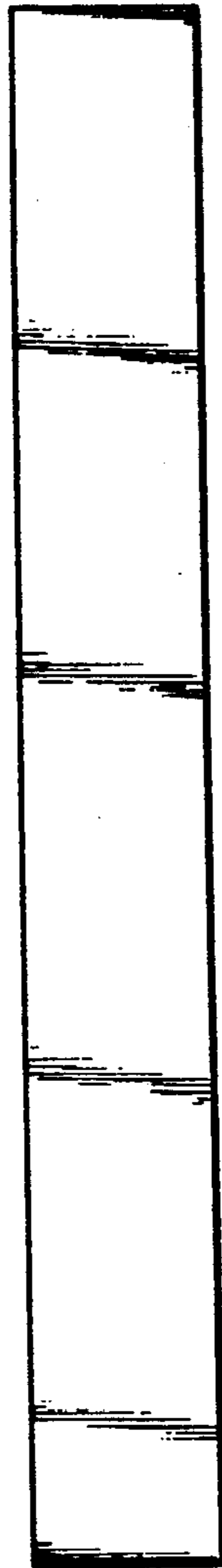


Fig-5

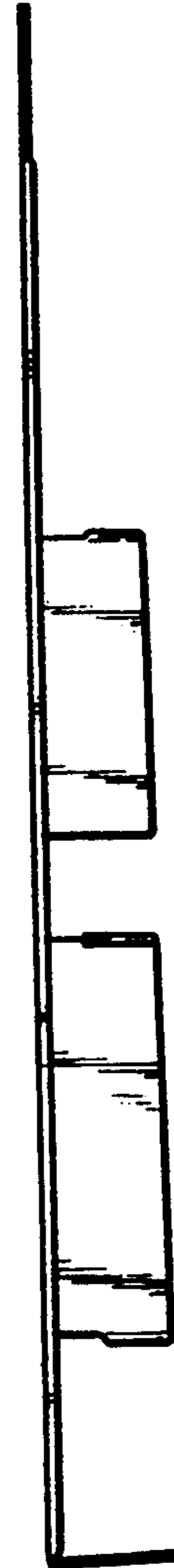


Fig-6

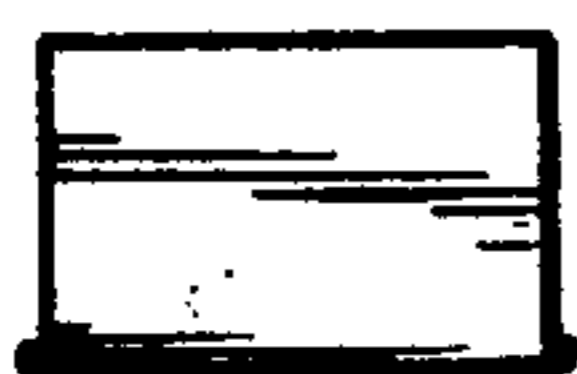


Fig-7



Fig-8

Fig-9

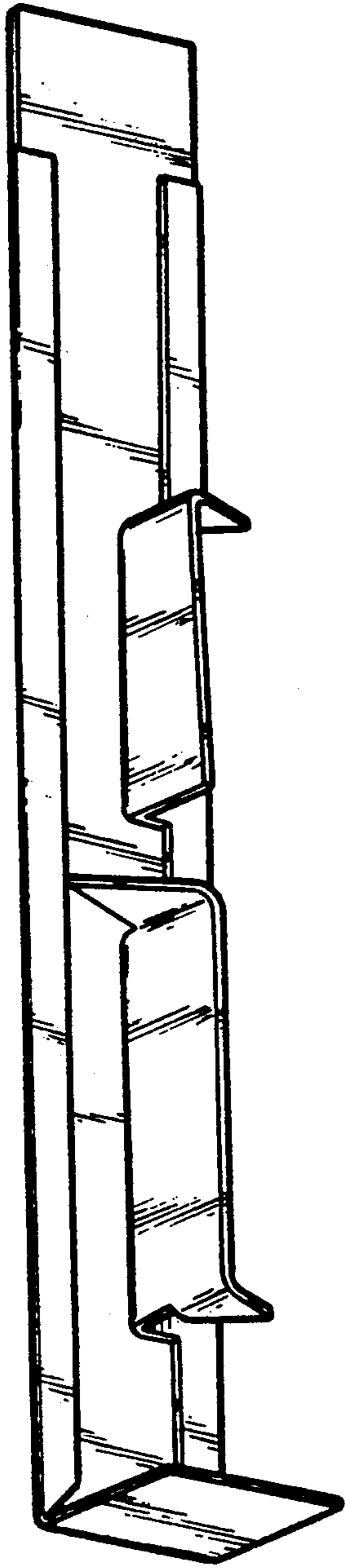


Fig-10

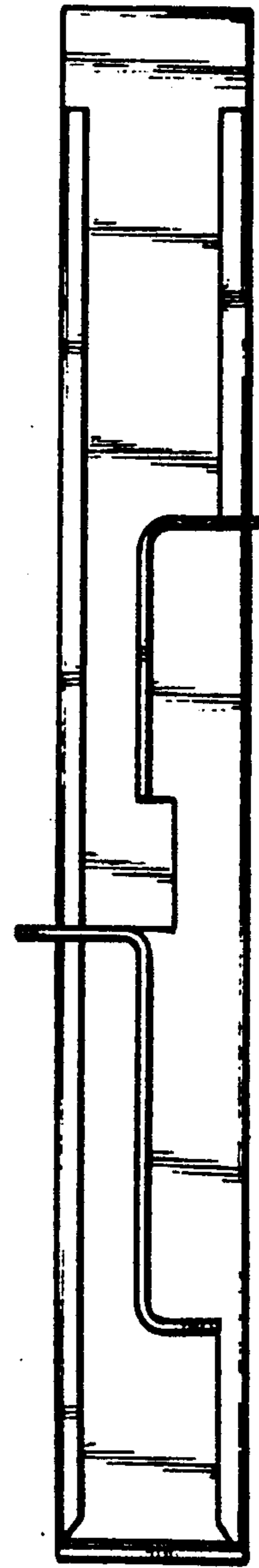




Fig-11

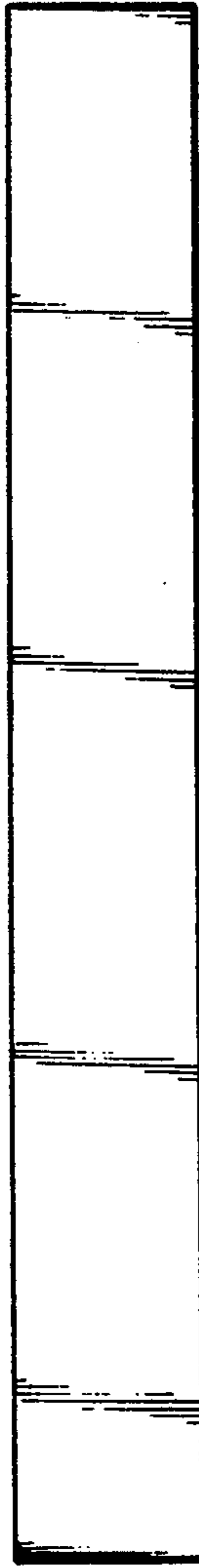


Fig-12

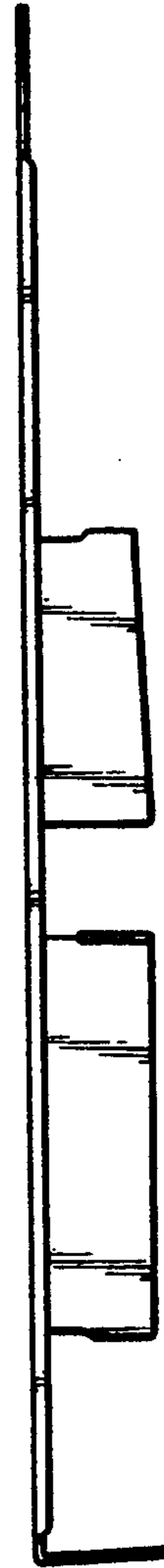


Fig-13

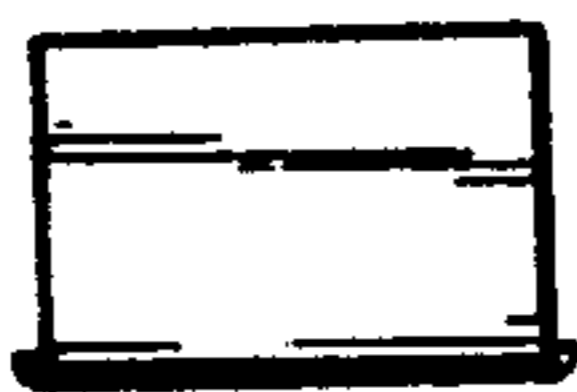


Fig-14



Fig-15