



US00D339864S

United States Patent [19]

[11] Patent Number: **Des. 339,864**

Stern

[45] Date of Patent: **** Sep. 28, 1993**

[54] CONNECTOR FOR AN I.V. BAG

4,995,387 2/1991 Jinotti 128/912 X

[76] Inventor: **Leif E. Stern, Fattershus, S-225 90 Lund, Sweden**

Primary Examiner—A. Hugo Word
Assistant Examiner—Ian Simmons
Attorney, Agent, or Firm—Harrison & Egbert

[**] Term: **14 Years**

[57] **CLAIM**

[21] Appl. No.: **739,387**

The ornamental design for a connector for an I.V. bag, as shown and described.

[22] Filed: **Aug. 1, 1991**

DESCRIPTION

[30] Foreign Application Priority Data

Feb. 5, 1991 [SE] Sweden 91-0260

[52] U.S. Cl. **D24/129**

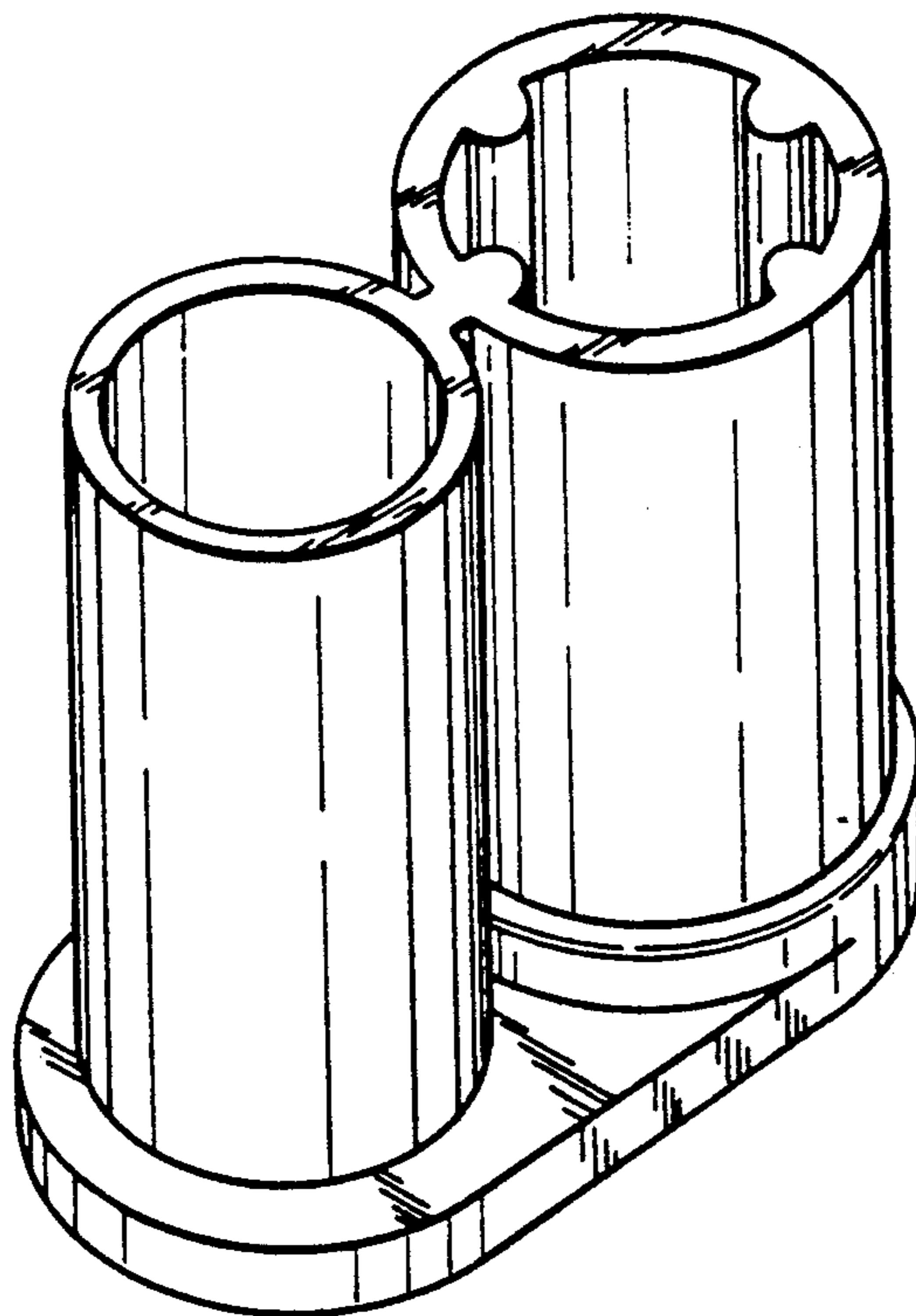
[58] Field of Search **D24/129; 285/137.1, 285/24, 27; 604/246, 280, 403, 905**

FIG. 1 is a front elevational view of a connector for an I.V. bag showing my new design;
FIG. 2 is a side elevational view of a connector for an I.V. bag;
FIG. 3 is a side elevational view of the opposite side of a connector for an I.V. bag;
FIG. 4 is a top plan view of a connector for an I.V. bag;
FIG. 5 is a bottom plan view of a connector for an I.V. bag;
FIG. 6 is a rear elevational view of a connector for an I.V. bag;
FIG. 7 is a perspective top view of a connector for an I.V. bag; and,
FIG. 8 is a perspective bottom view of a connector for an I.V. bag.

[56] References Cited

U.S. PATENT DOCUMENTS

- D. 249,066 8/1978 Pawlak D24/129
- D. 276,369 11/1984 Clawson et al. D24/129
- D. 319,698 9/1991 Arioka et al. D24/129 X
- 2,649,742 7/1948 Armstrong 285/137.1 X
- 3,944,261 3/1976 Reed et al. 285/137.1 X
- 4,557,261 12/1985 Rügheimer 128/202.27
- 4,790,567 12/1988 Kawano et al. 285/24



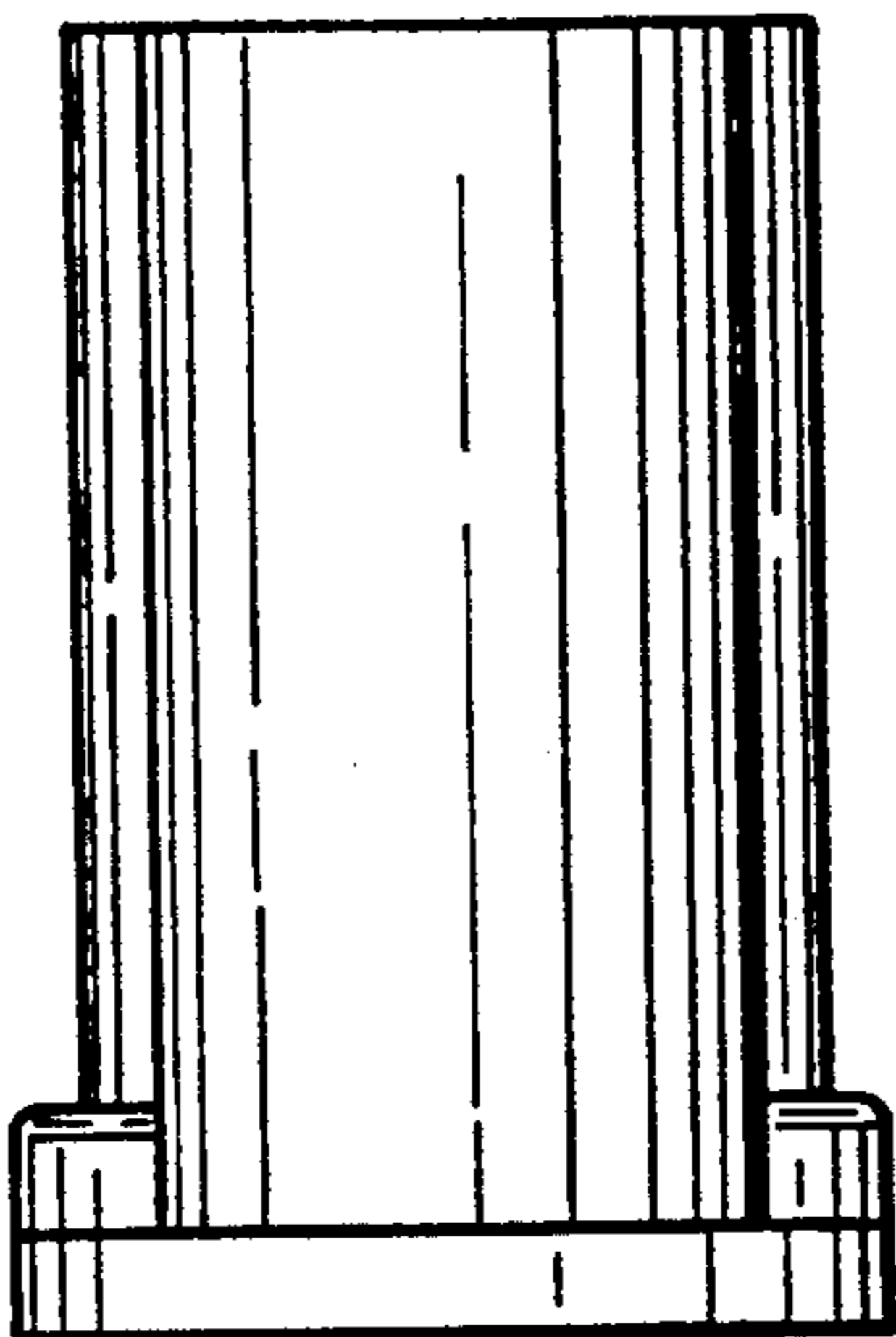


Fig. 1

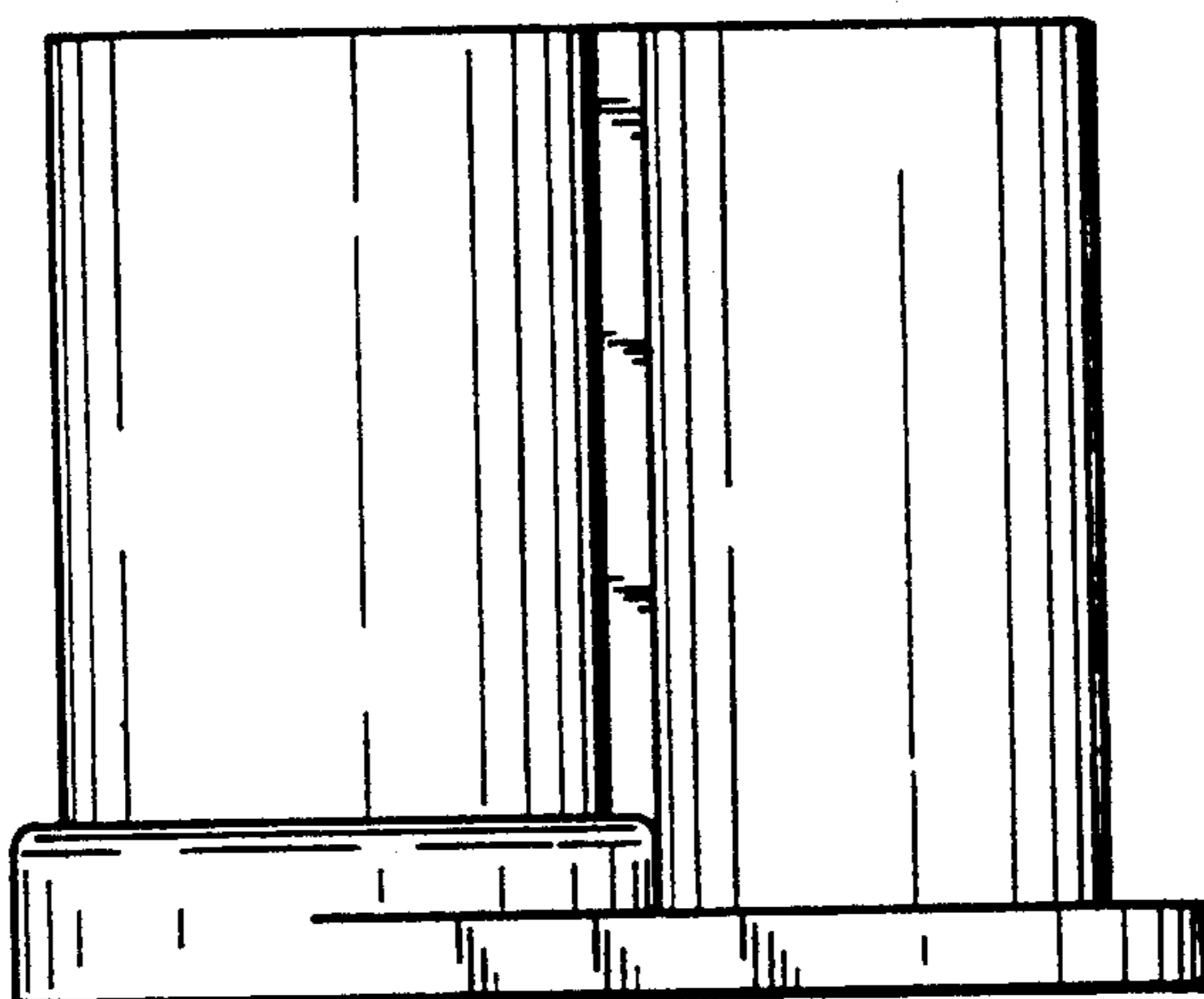


Fig. 2

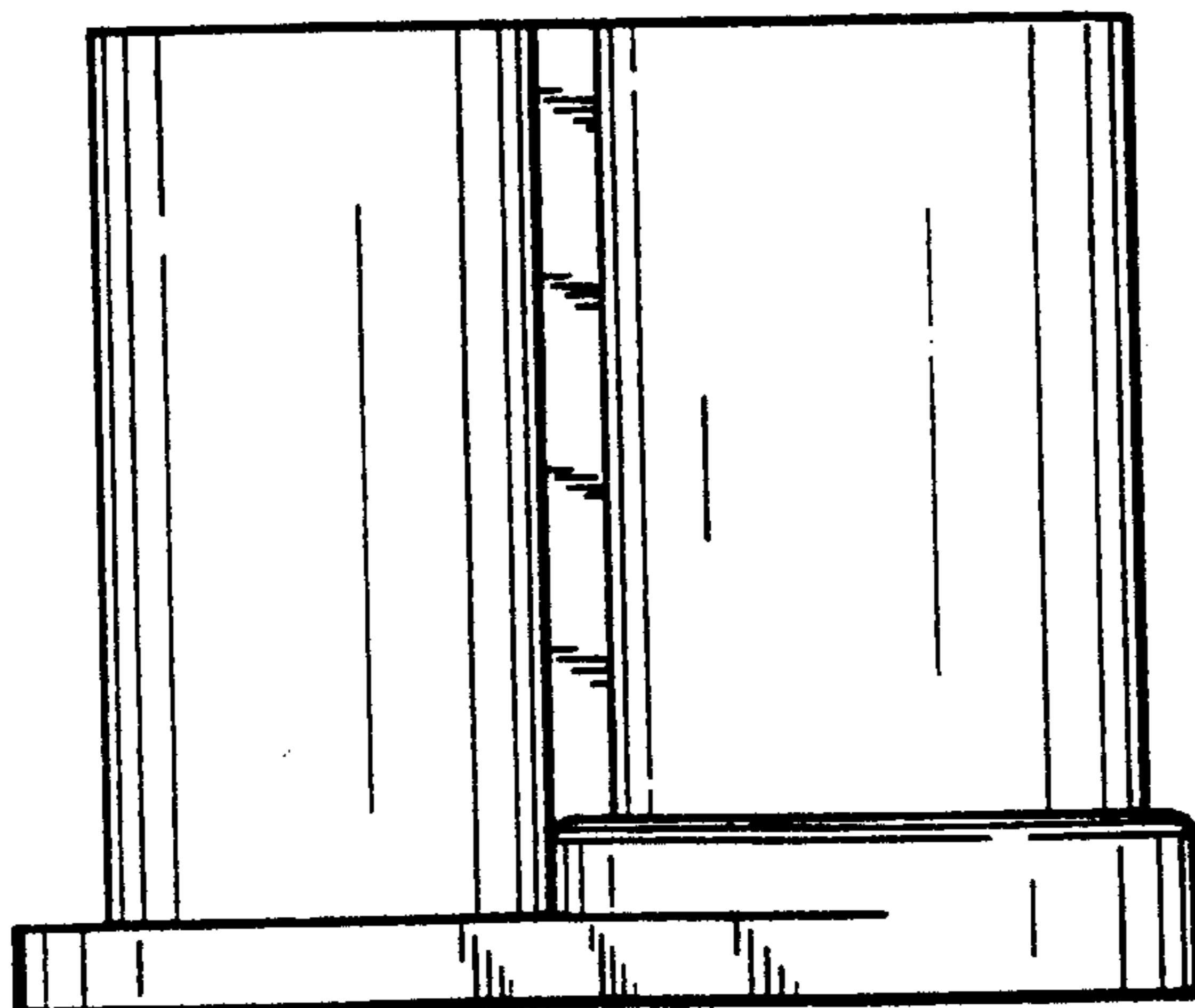


Fig. 3

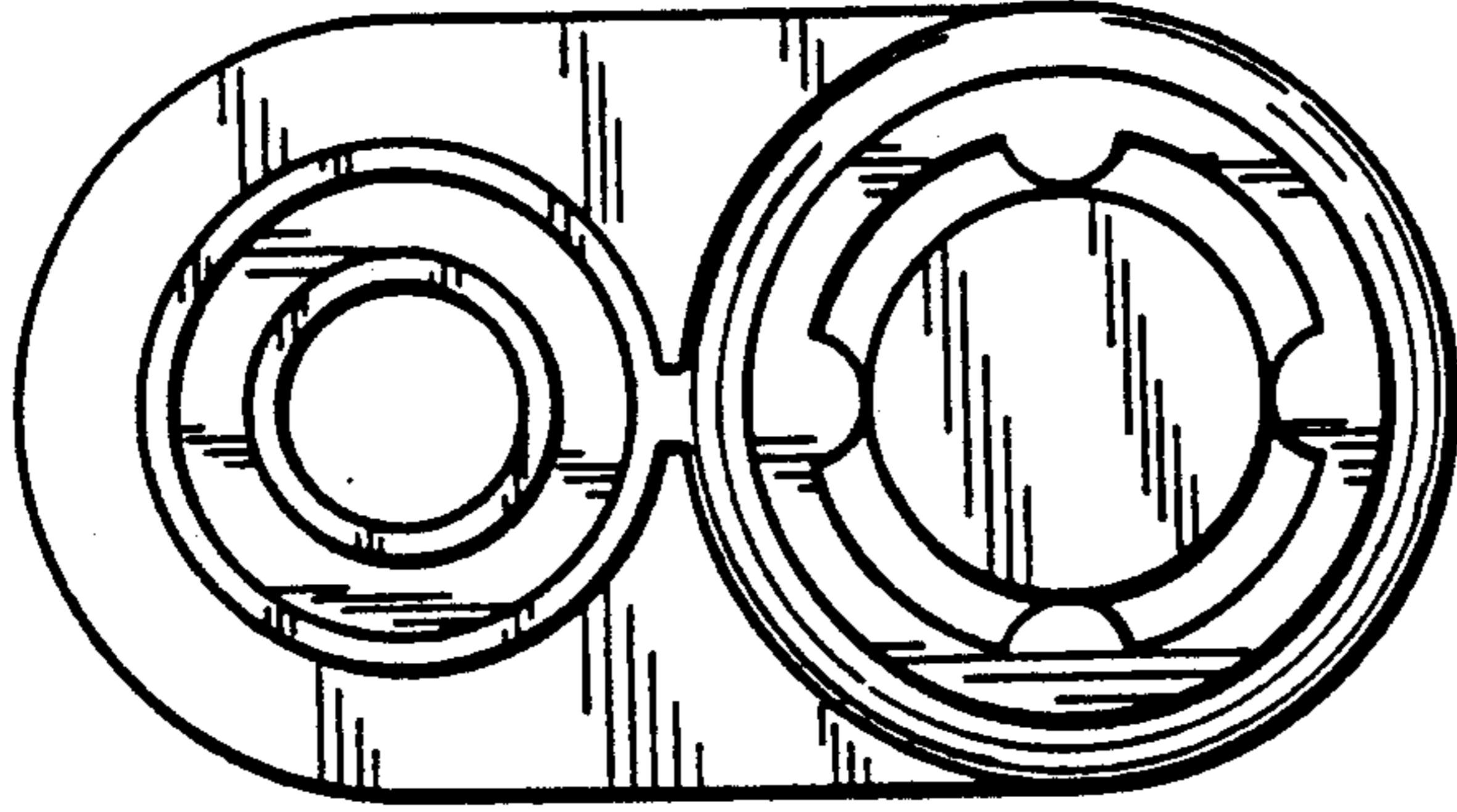


Fig. 4

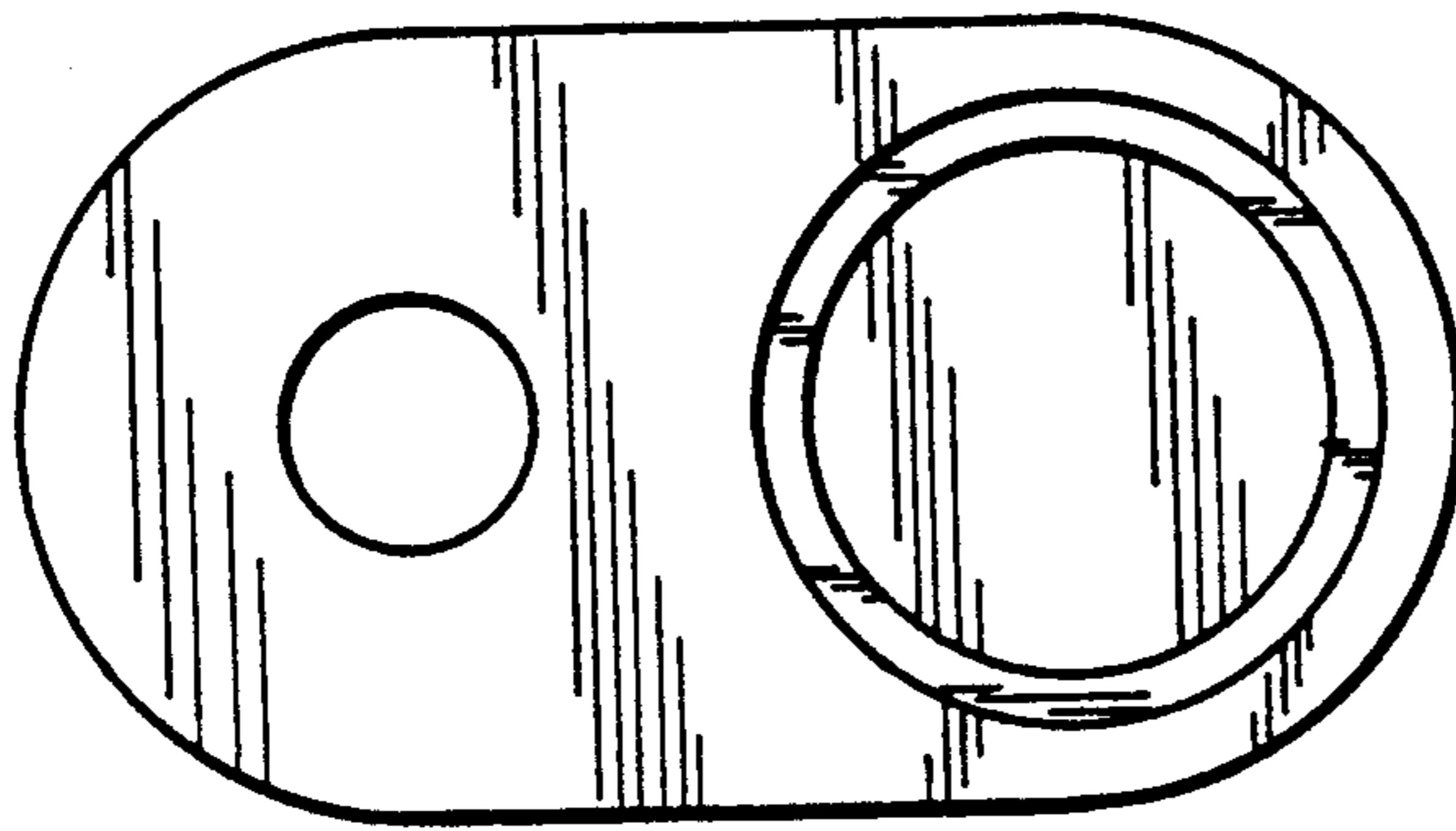


Fig. 5

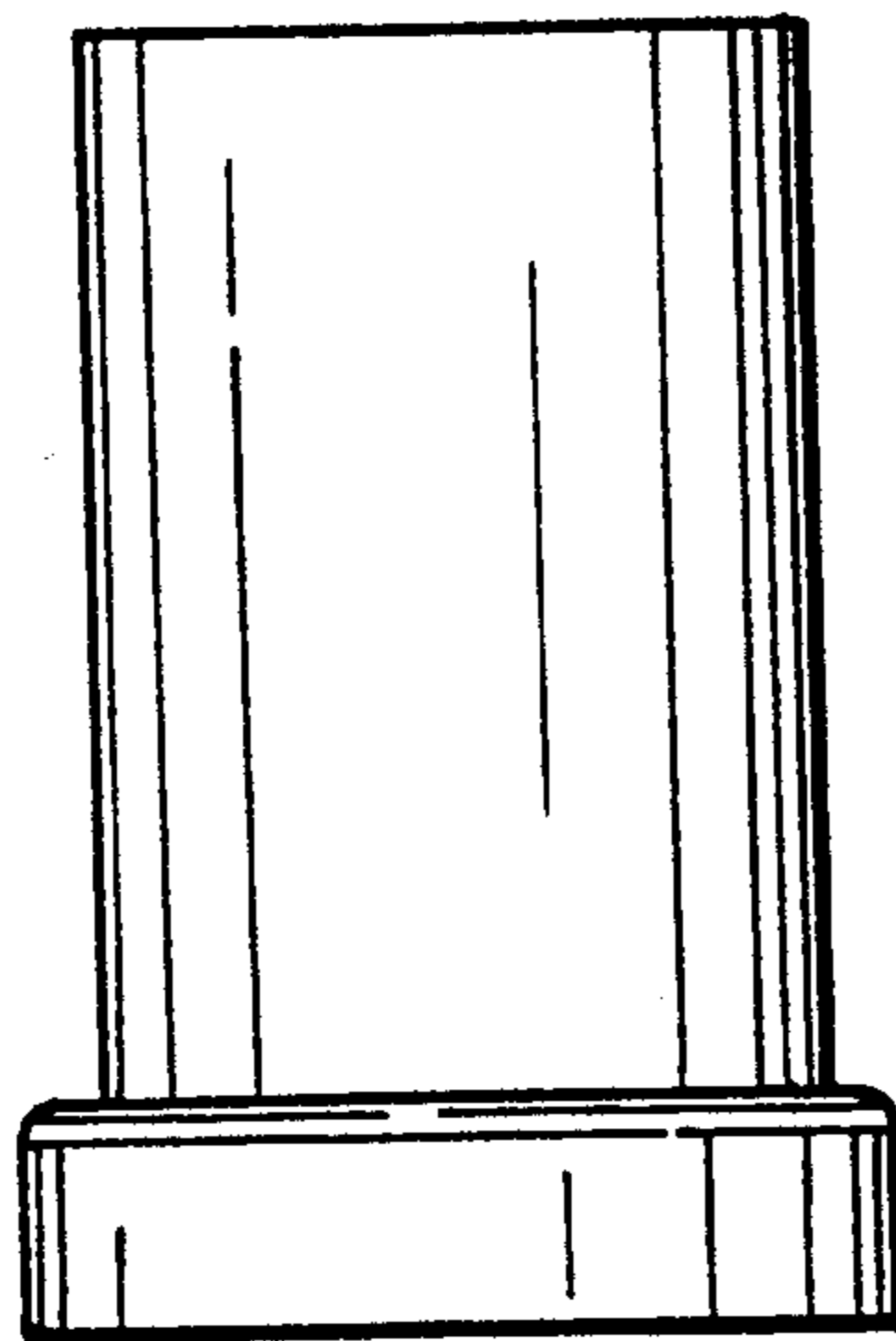


Fig. 6

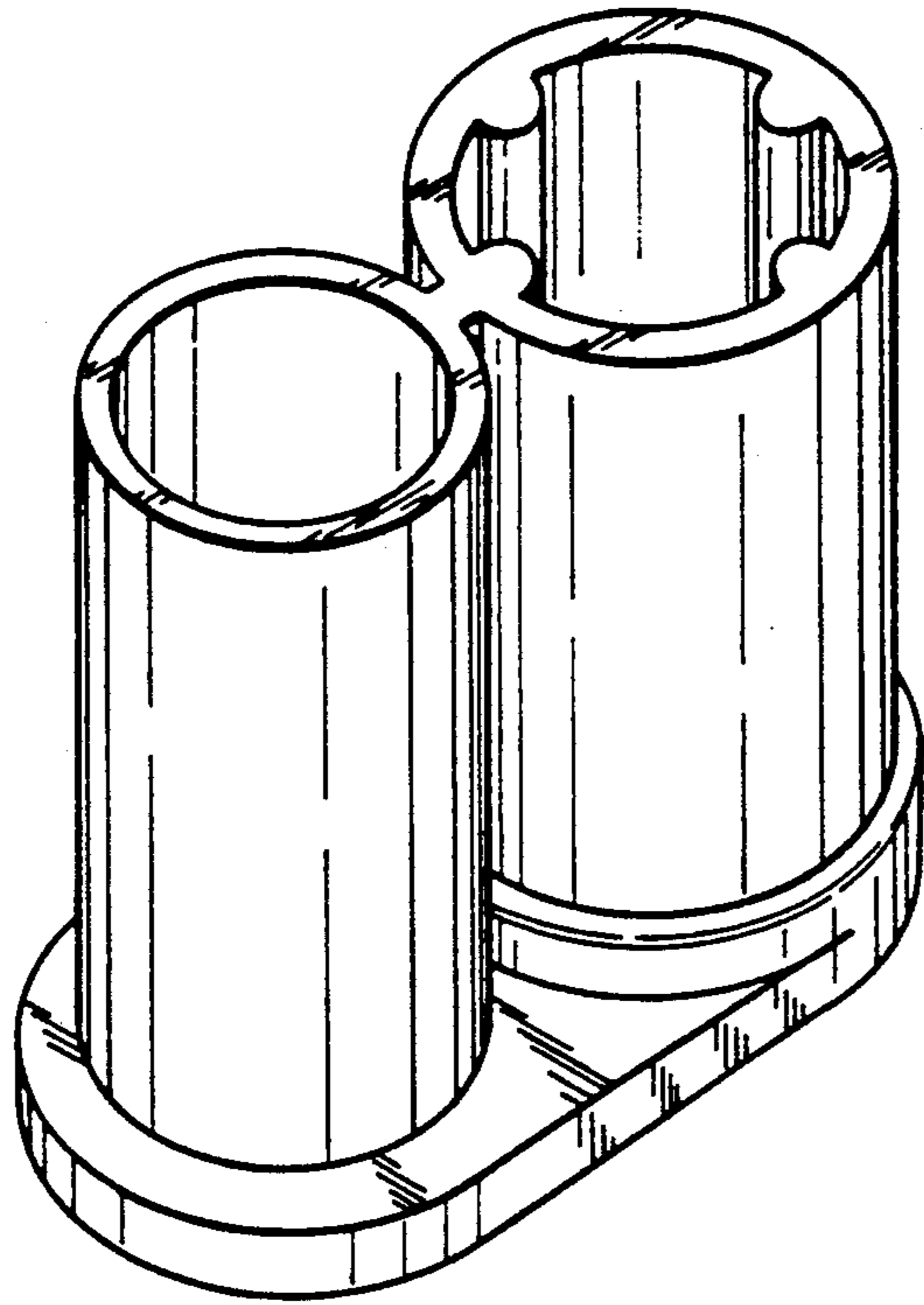


Fig. 7

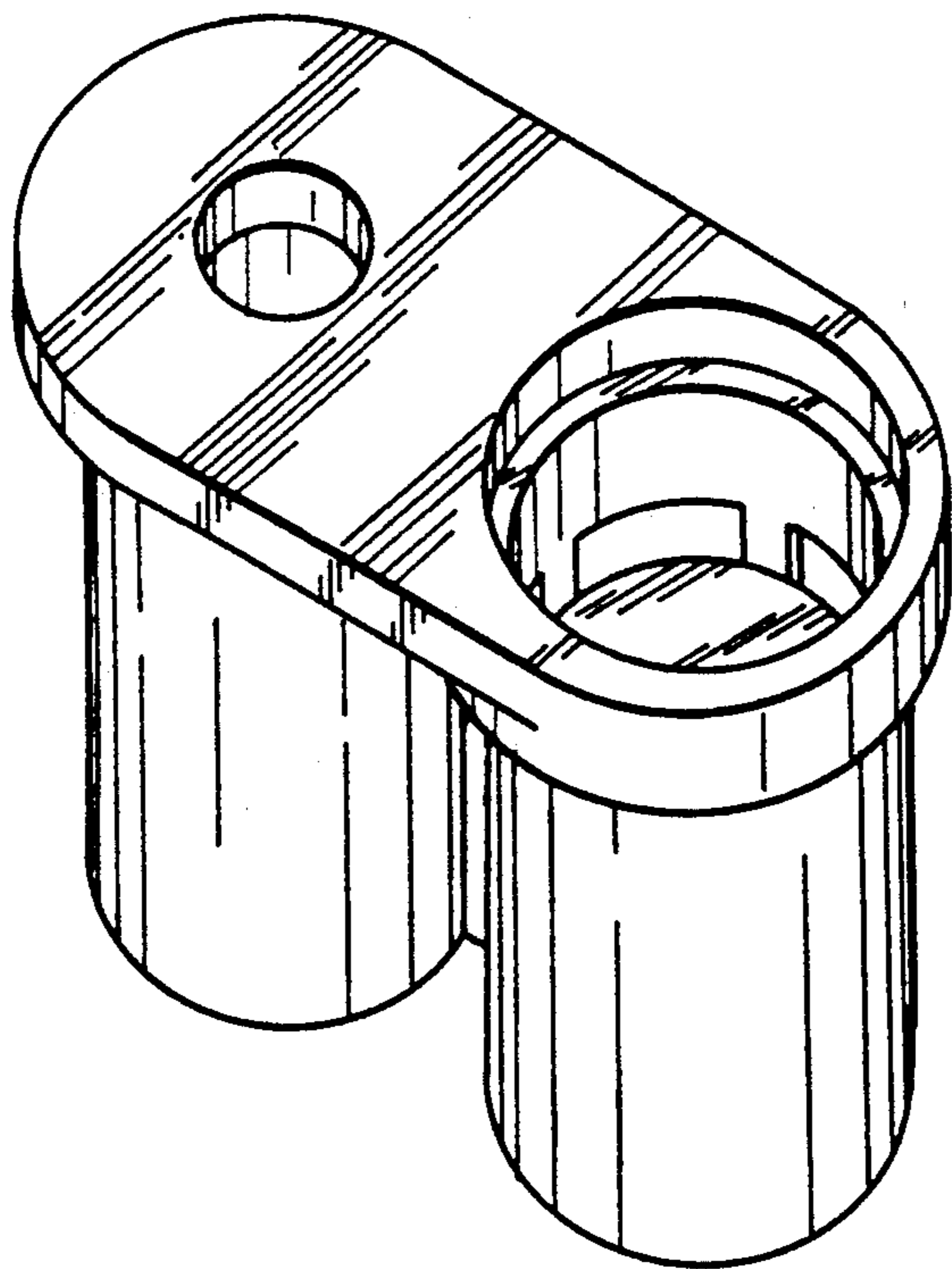


Fig. 8