



US00D339855S

United States Patent [19]

[11] Patent Number: **Des. 339,855**

Gruber

[45] Date of Patent: **** Sep. 28, 1993**

[54] **BATHTUB**

[75] Inventor: **George S. Gruber, Canyon Country, Calif.**

[73] Assignee: **Six Eleven Limited, North Hollywood, Calif.**

[**] Term: **14 Years**

[21] Appl. No.: **726,016**

[22] Filed: **Jul. 5, 1991**

[52] U.S. Cl. **D23/280**

[58] Field of Search **D23/270-275, D23/277-282; D24/204, 205; 4/538, 555, 556, 571, 573-579, 584, 589, 590, 592, 593**

[56] **References Cited**

U.S. PATENT DOCUMENTS

- D. 238,071 12/1975 Ganger D23/277
- D. 241,643 9/1976 Bonsack D23/281
- D. 243,693 3/1977 Gruber D23/277

- D. 274,835 7/1984 Gruber D23/281
- D. 286,811 11/1986 Diamond D23/281
- D. 287,397 12/1986 Cuttriss D23/281
- D. 313,838 1/1991 Lenahan D23/277
- D. 313,840 1/1991 Gruber D23/280
- D. 313,844 1/1991 Gruber D23/281
- D. 314,817 2/1991 Lenahan D23/281
- D. 320,261 9/1991 Cuttriss et al. D23/281

Primary Examiner—James R. Largen

[57] CLAIM

The ornamental design for a bathtub, as shown and described.

DESCRIPTION

FIG. 1 is a top perspective view of a bathtub showing my new design;
 FIG. 2 is a top plan view thereof;
 FIG. 3 is a side elevational view thereof, the opposite side being the same as the side shown; and,
 FIG. 4 is an end elevational view thereof, the opposite end being the same as the end shown.

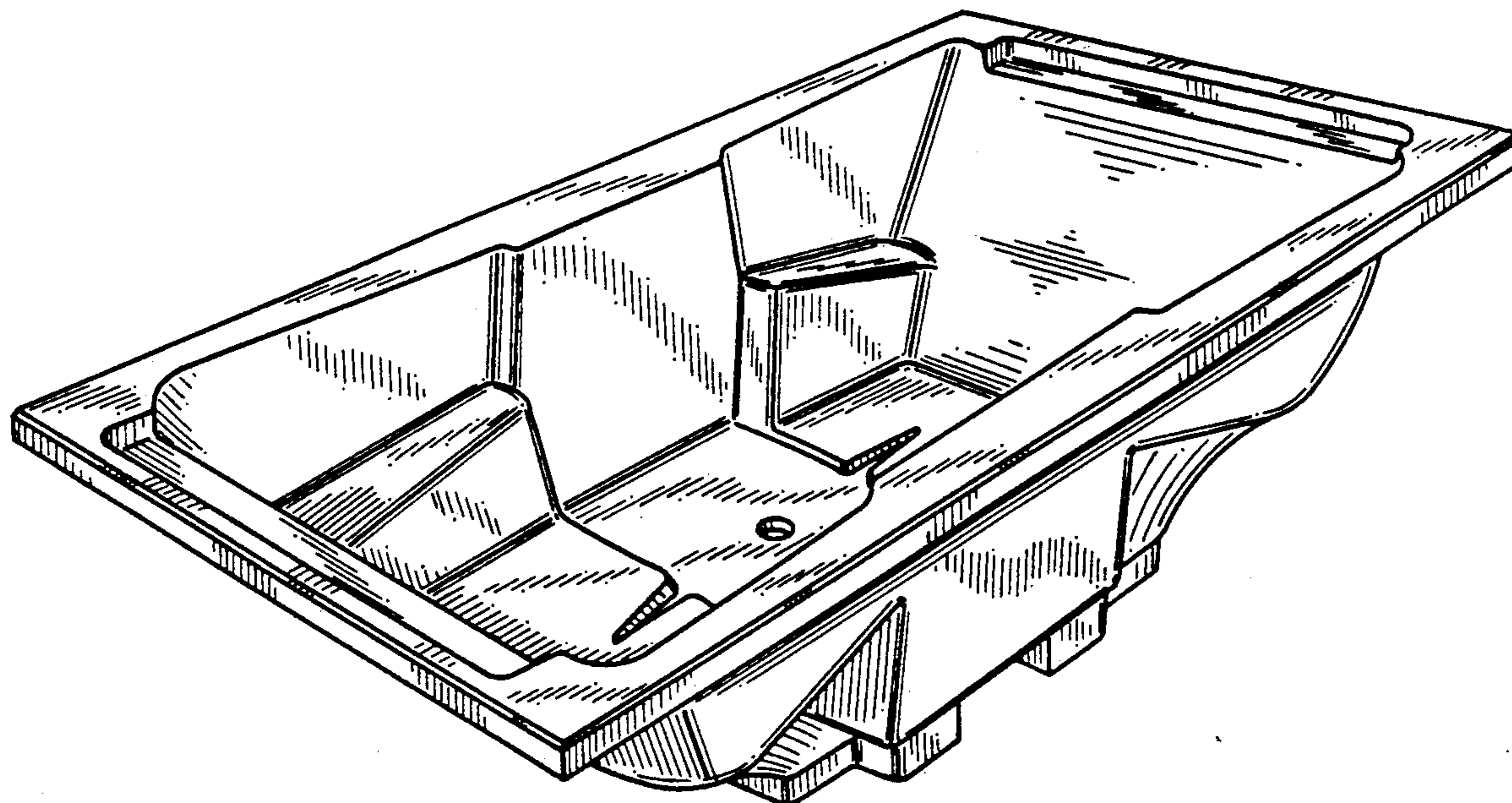


FIG-1

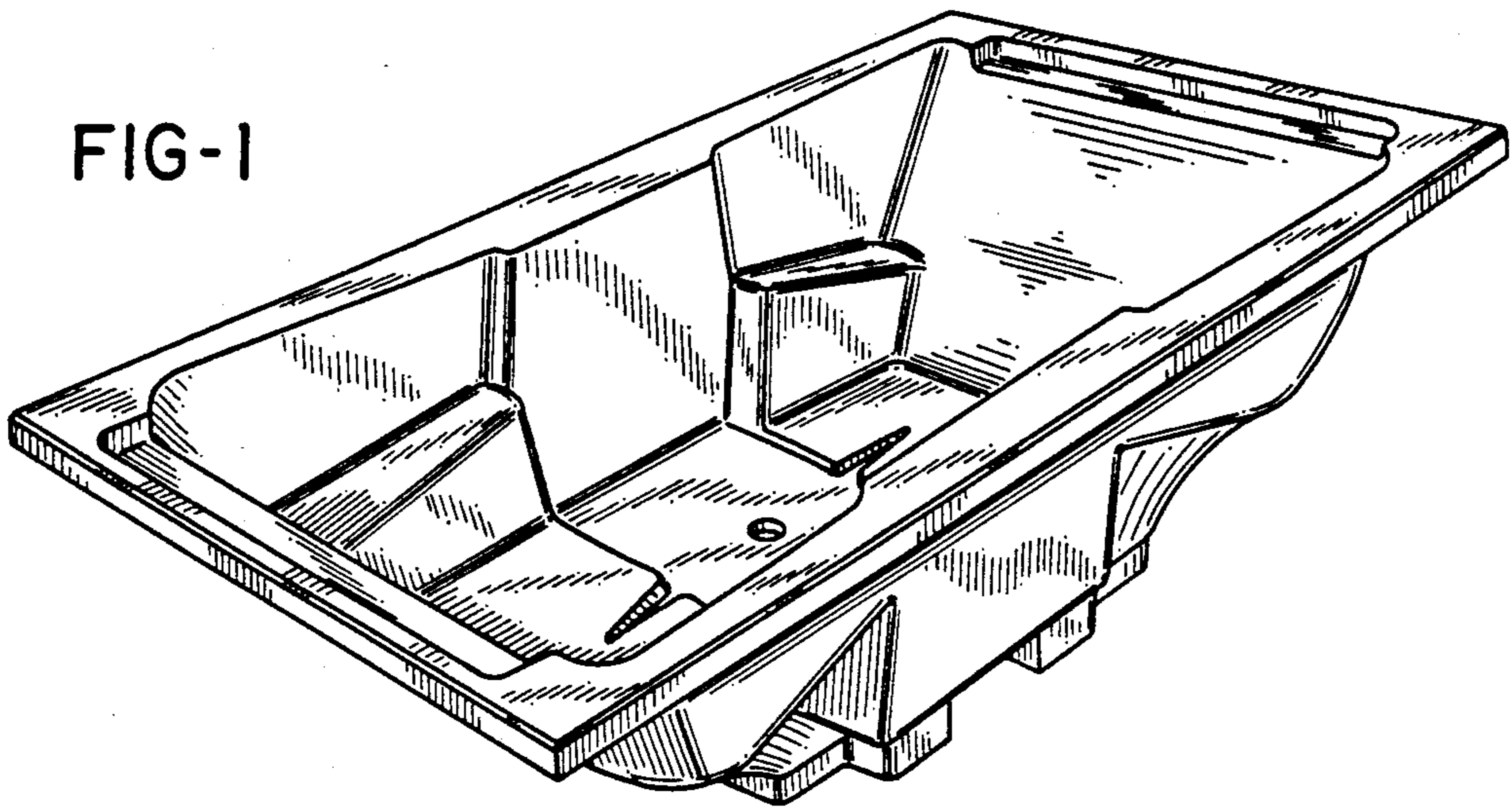


FIG-2

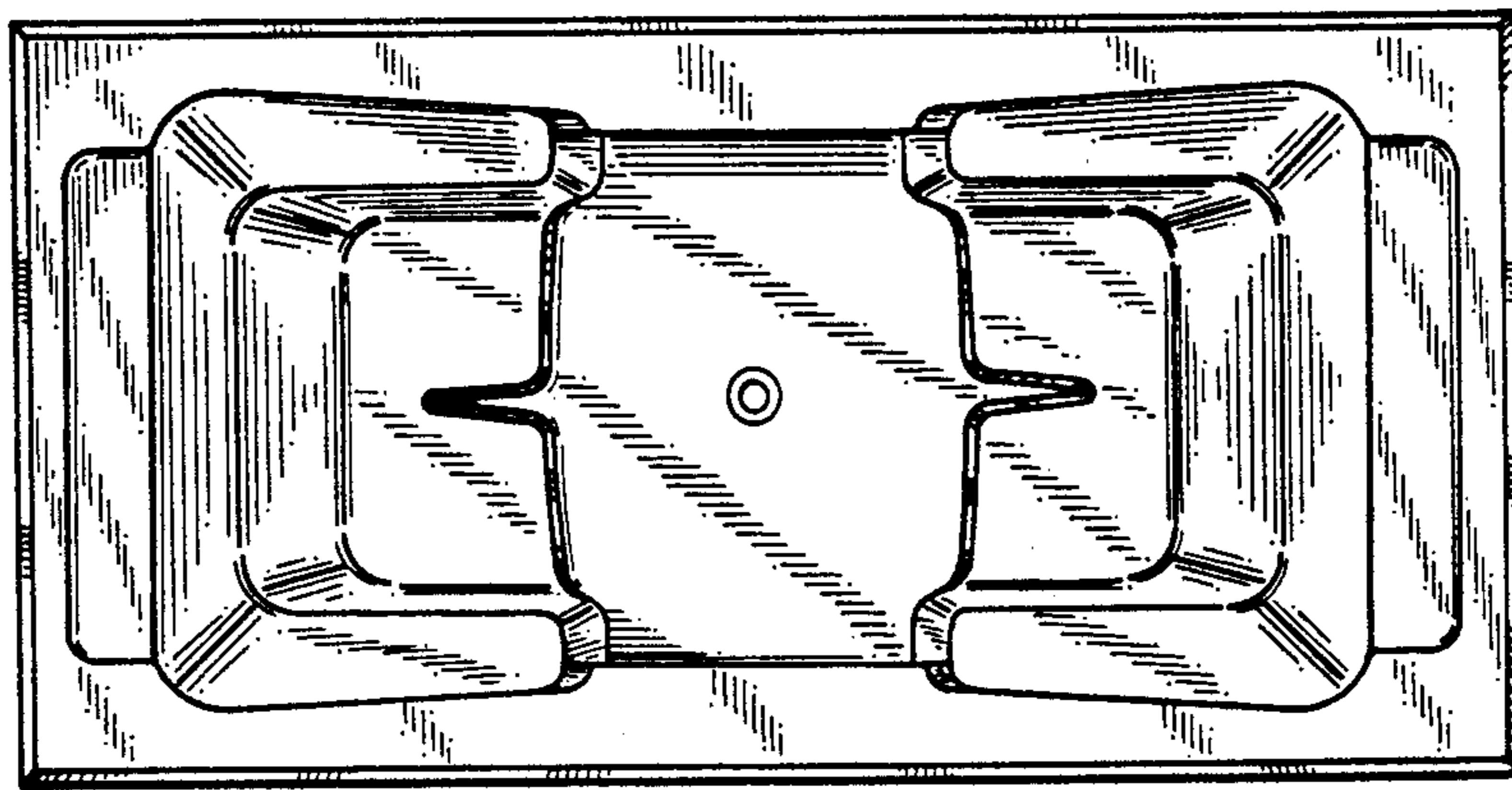


FIG-3

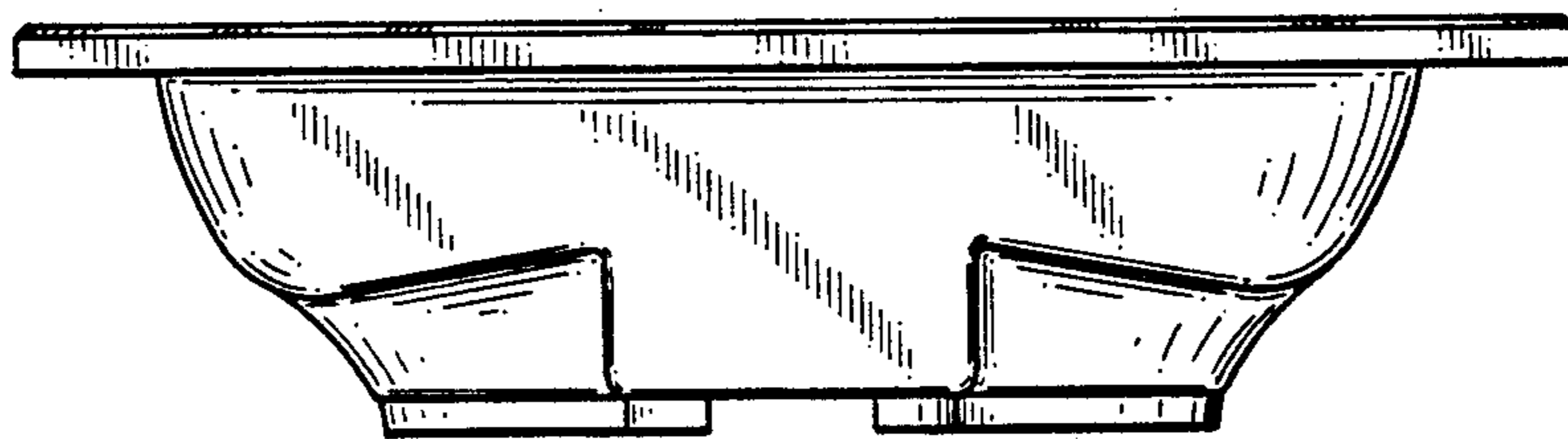


FIG-4

