



US00D339851S

United States Patent [19]

[11] Patent Number: **Des. 339,851**

Jans

[45] Date of Patent: **** Sep. 28, 1993**

[54] **FAUCET HANDLE**

[75] Inventor: **Franz W. Jans, Roedermark, Fed. Rep. of Germany**

[73] Assignee: **JADO Bathroom and Hardware Manufacturing Corp., Camarillo, Calif.**

[**] Term: **14 Years**

[21] Appl. No.: **792,900**

[22] Filed: **Nov. 15, 1991**

[52] U.S. Cl. **D23/252**

[58] Field of Search **D23/238-243, D23/250-254; D8/300, 306-320; 16/110, 118, 121**

[56] **References Cited**

U.S. PATENT DOCUMENTS

- D. 99,046 3/1936 Rettich D8/310
- D. 193,756 10/1962 Parker D23/254
- D. 195,823 8/1963 Clayton D8/307

- D. 199,426 10/1964 Armstrong D23/252
- D. 204,087 3/1966 Adler D8/308 X
- D. 223,913 6/1973 Niemann D23/252
- D. 254,088 1/1980 Haug D23/252
- D. 315,486 3/1991 Pierce D8/307
- D. 324,563 3/1992 Bonnell D23/252

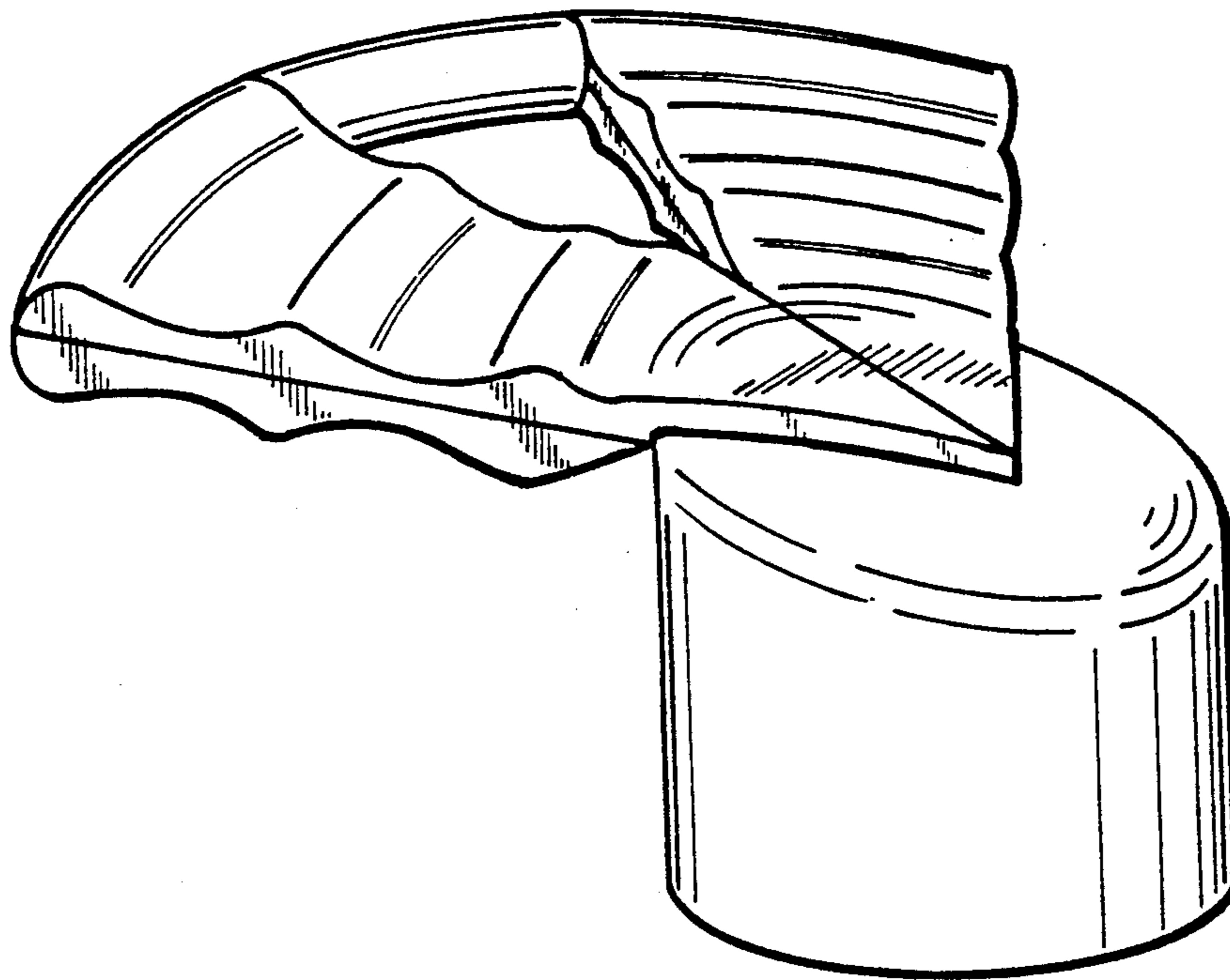
*Primary Examiner—James R. Largen
Attorney, Agent, or Firm—H. Michael Brucker*

[57] **CLAIM**

The ornamental design for a faucet handle, as shown and described.

DESCRIPTION

FIG. 1 is a perspective view of the faucet handle showing my new design;
 FIG. 2 is a front elevational view thereof;
 FIG. 3 is a right side elevational view thereof, the left side being a mirror image of the right side;
 FIG. 4 is a rear elevational view thereof;
 FIG. 5 is a top view thereof; and,
 FIG. 6 is a bottom view thereof.



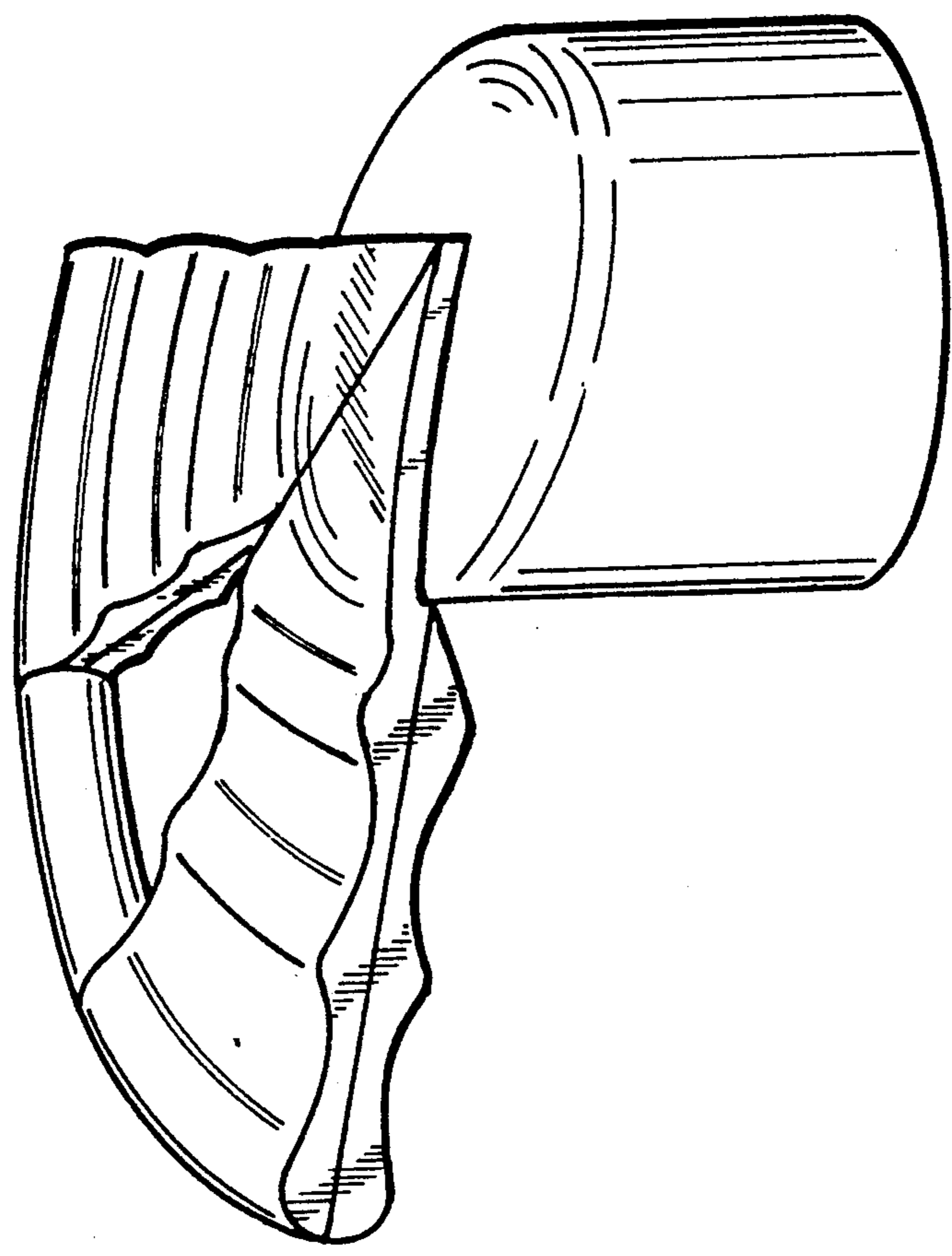


FIG.-1

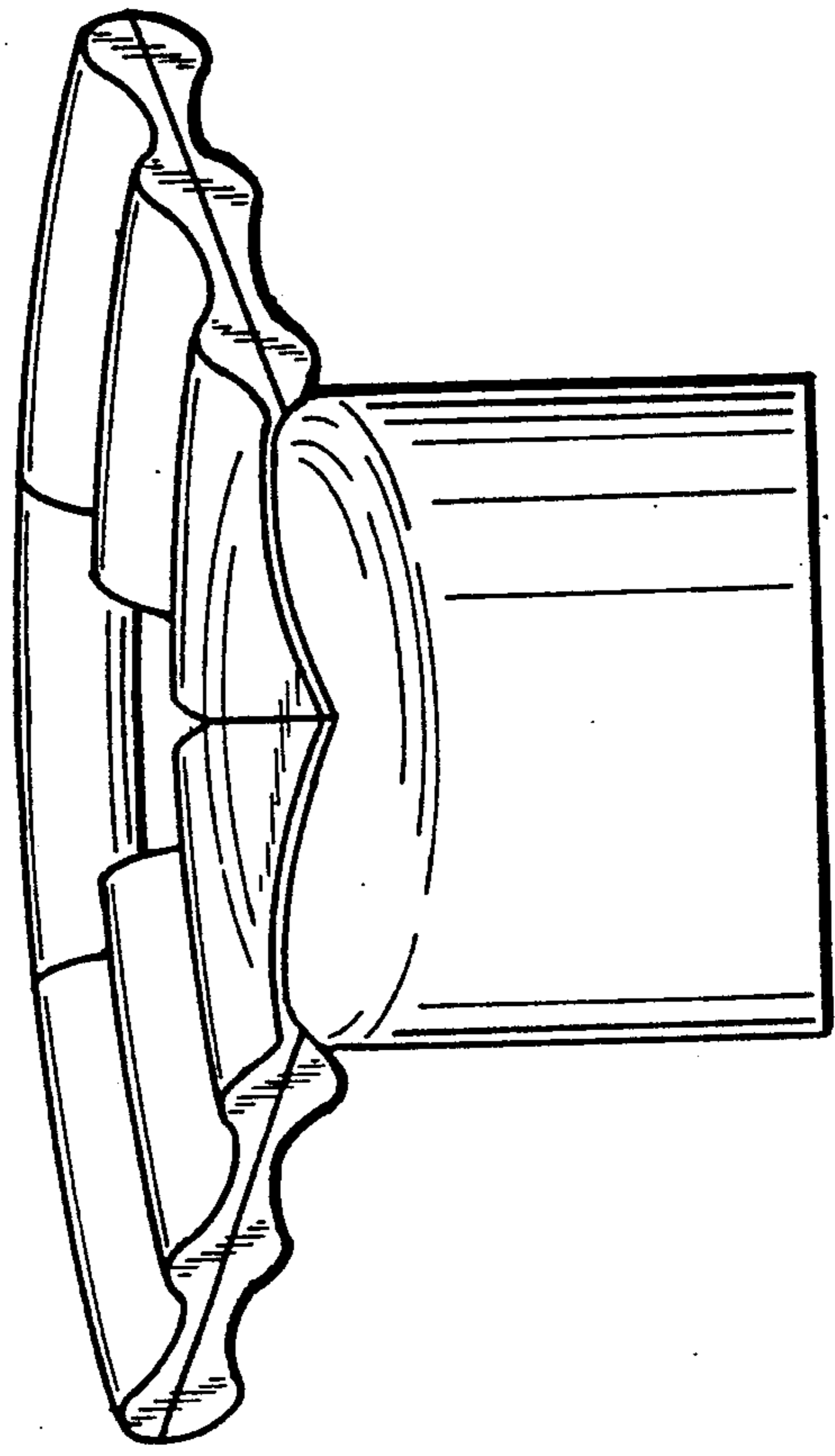


FIG.-2

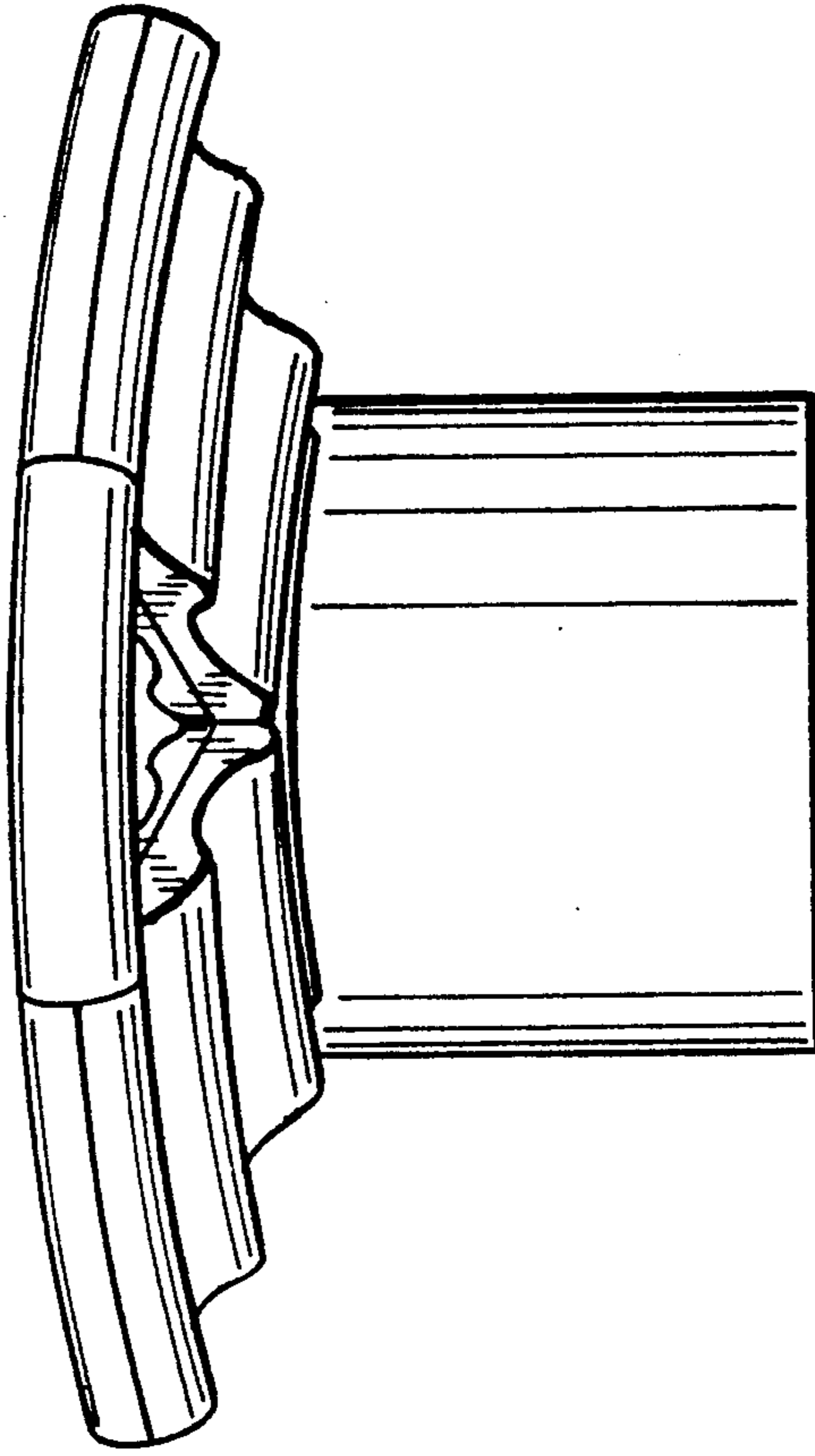


FIG. 4

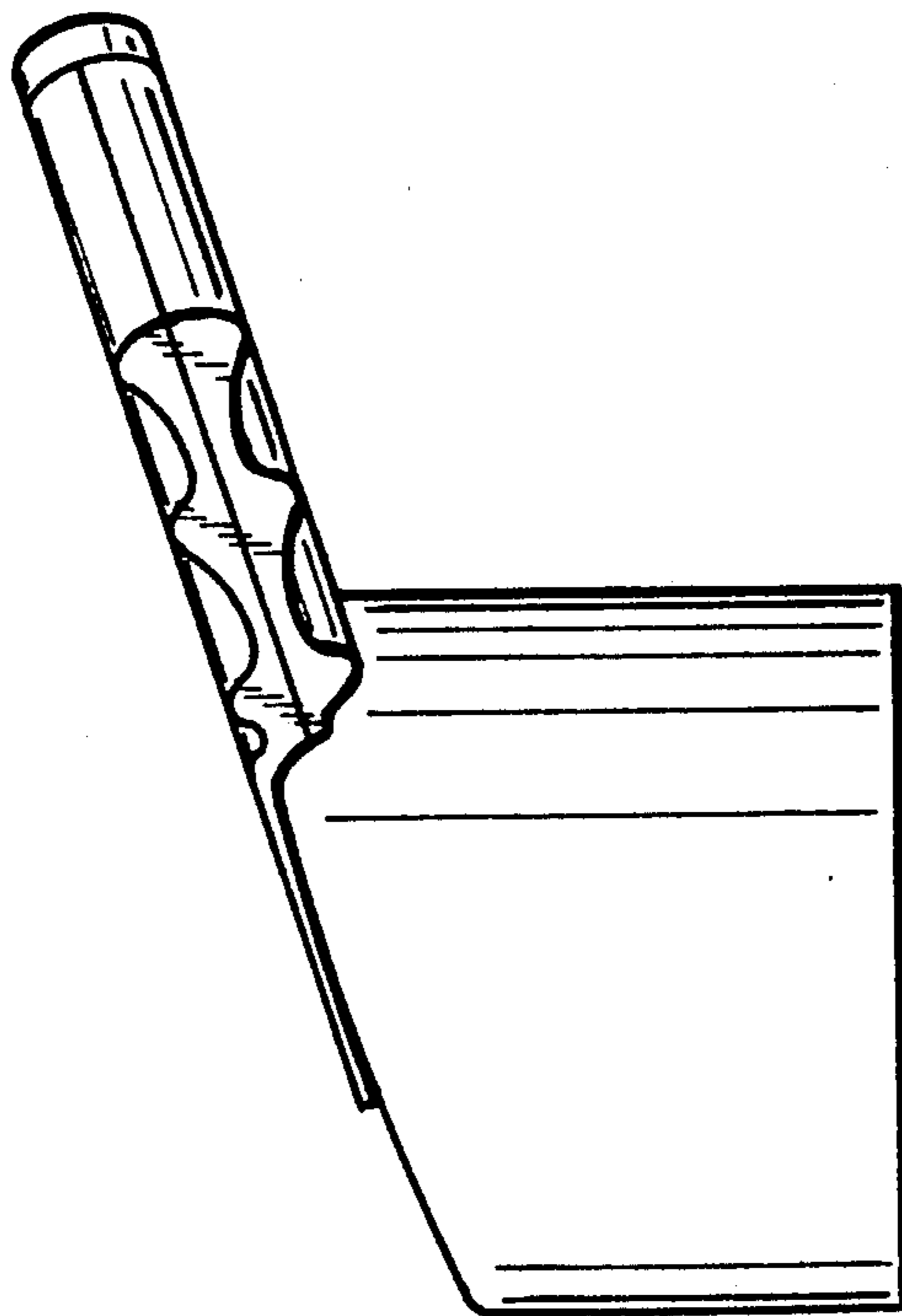


FIG. 3

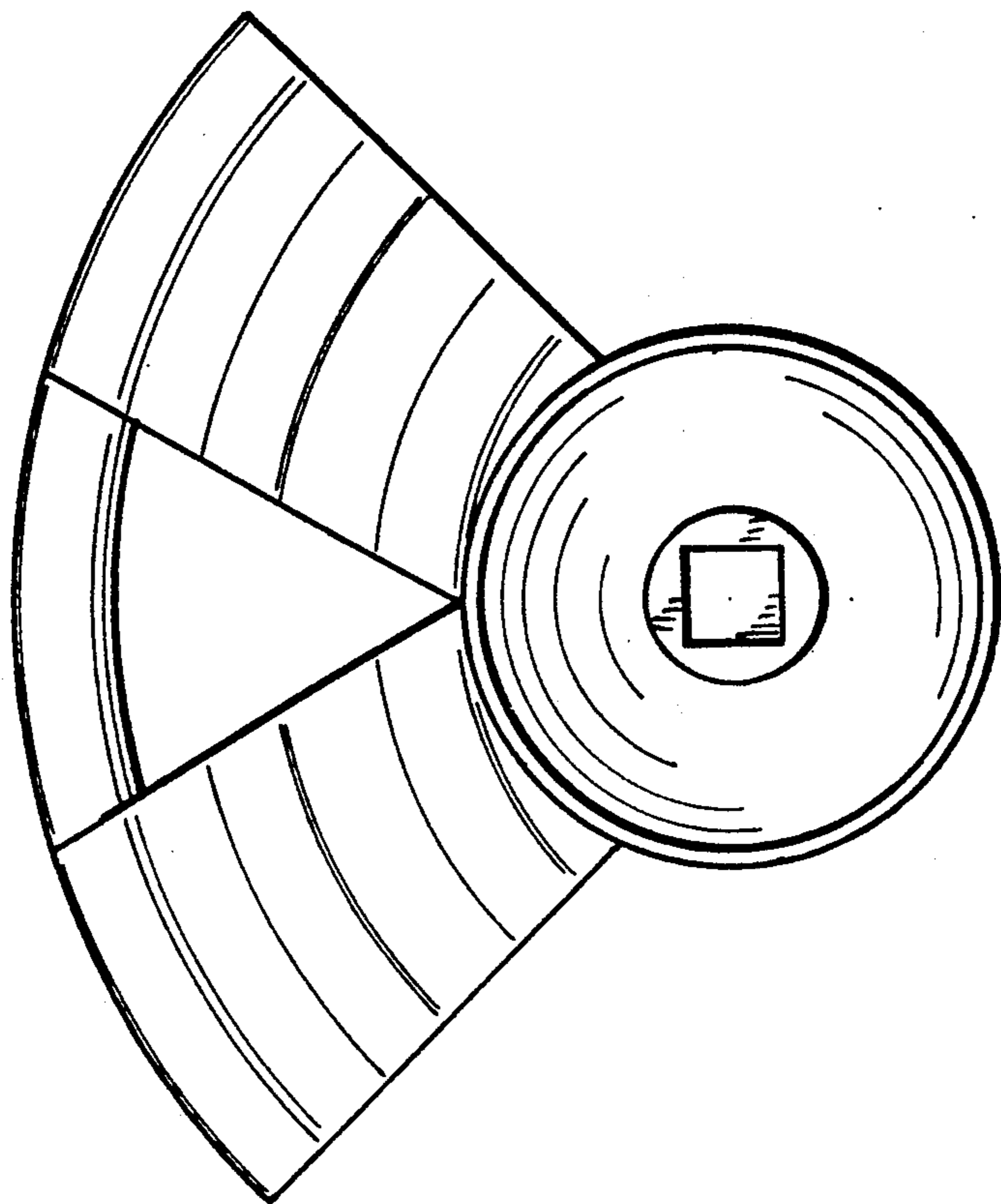


FIG.-6

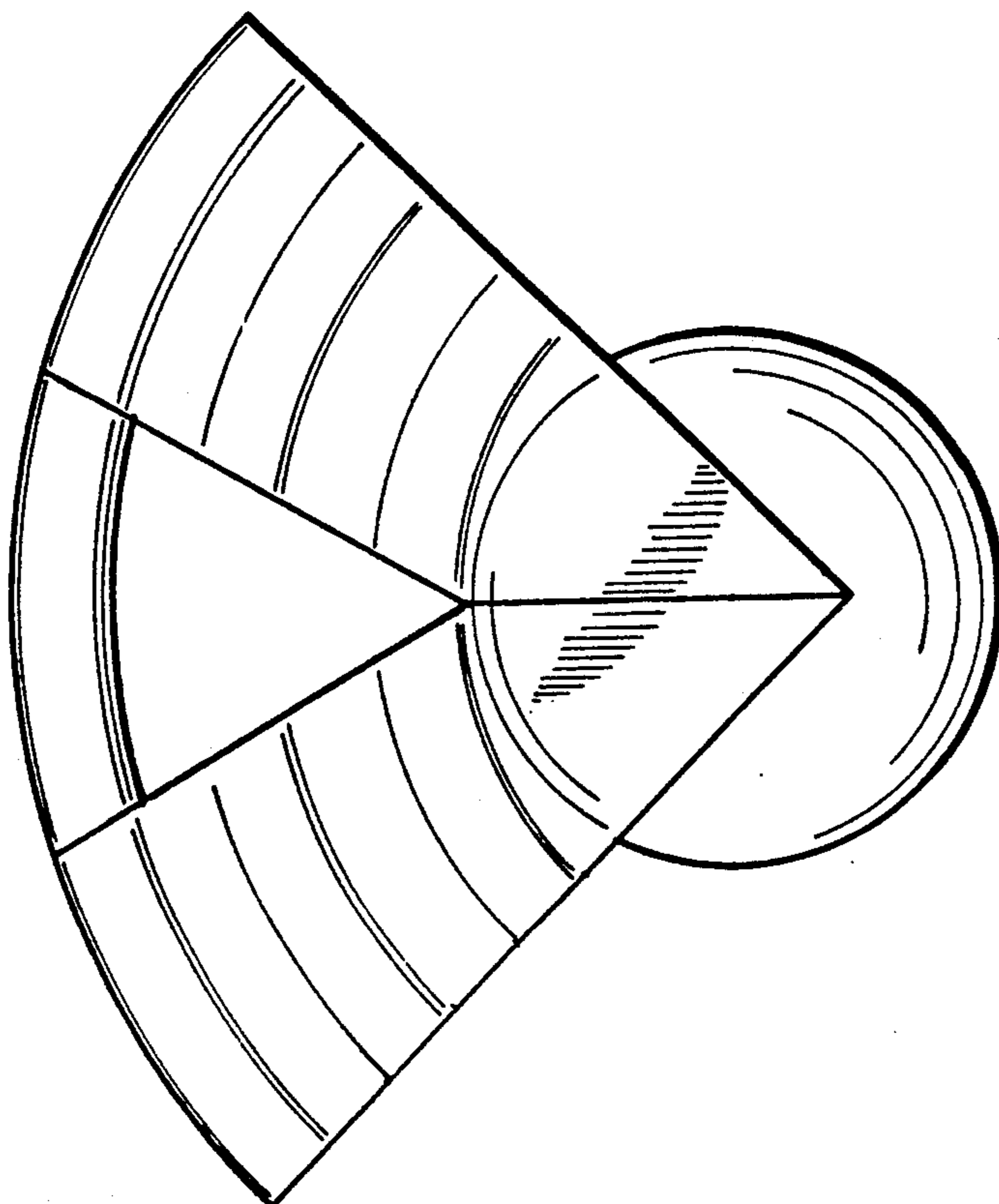


FIG.-5