



US00D339849S

# United States Patent [19]

[11] Patent Number: **Des. 339,849**

Jans

[45] Date of Patent: **\*\* Sep. 28, 1993**

[54] FAUCET HANDLE

D. 327,533 6/1992 Caywood ..... D23/252

[75] Inventor: **Franz W. Jans**, Roedermark, Fed. Rep. of Germany

### OTHER PUBLICATIONS

Domestic Engineering, Feb. 1987, p. 55.  
Domani/1989/Dornbracht (3 pages).

[73] Assignee: **JADO Bathroom and Hardware Manufacturing Corp.**, Camarillo, Calif.

*Primary Examiner*—James R. Largen  
*Attorney, Agent, or Firm*—H. Michael Brucker

[\*\*] Term: **14 Years**

### [57] CLAIM

[21] Appl. No.: **626,180**

The ornamental design for a faucet handle, as shown and described.

[22] Filed: **Dec. 11, 1990**

### DESCRIPTION

[52] U.S. Cl. .... **D23/252**

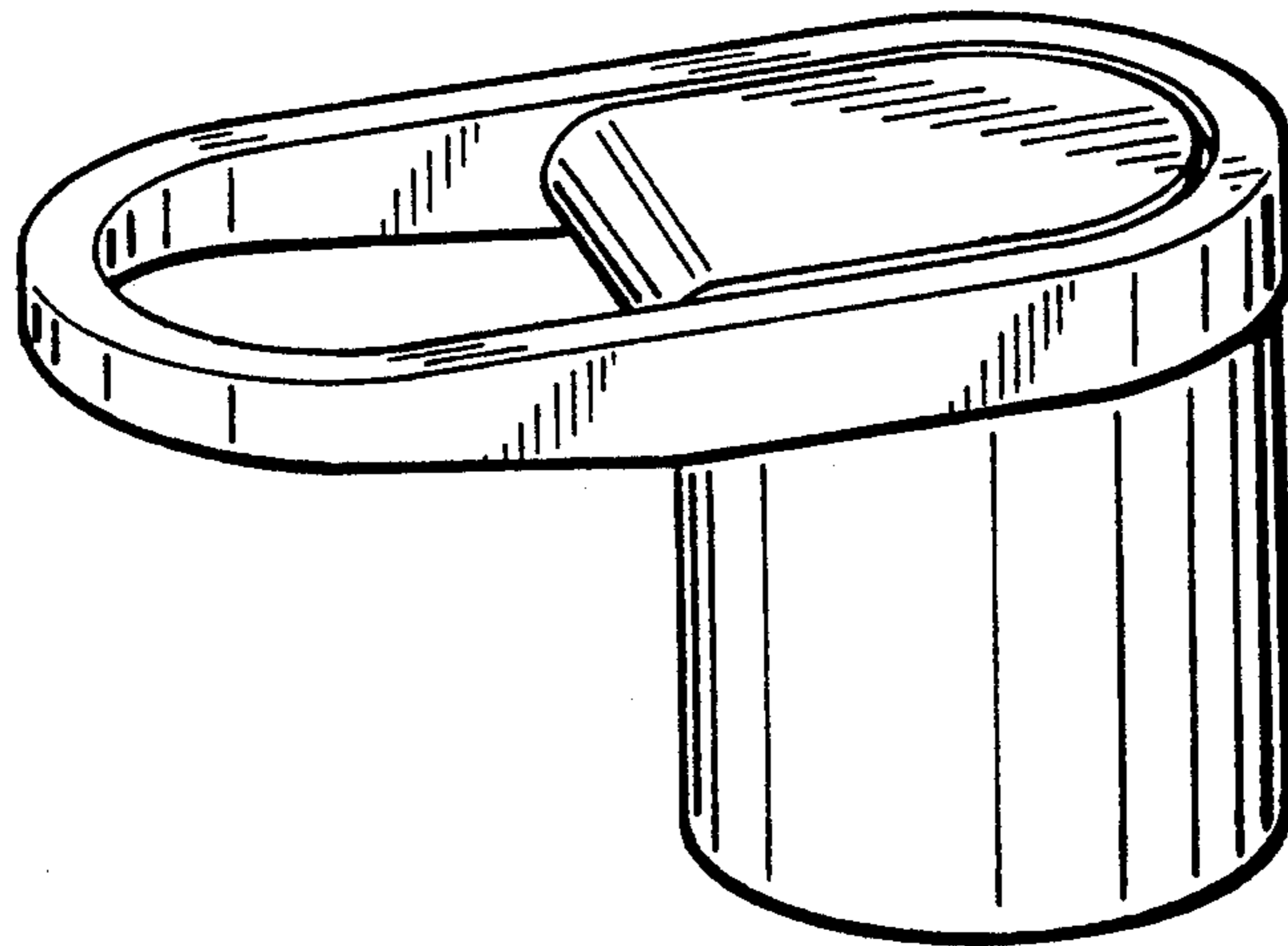
[58] Field of Search ..... D23/238-243,  
D23/250-254; D8/300, 307-312; 4/678;  
16/110, 118, 121

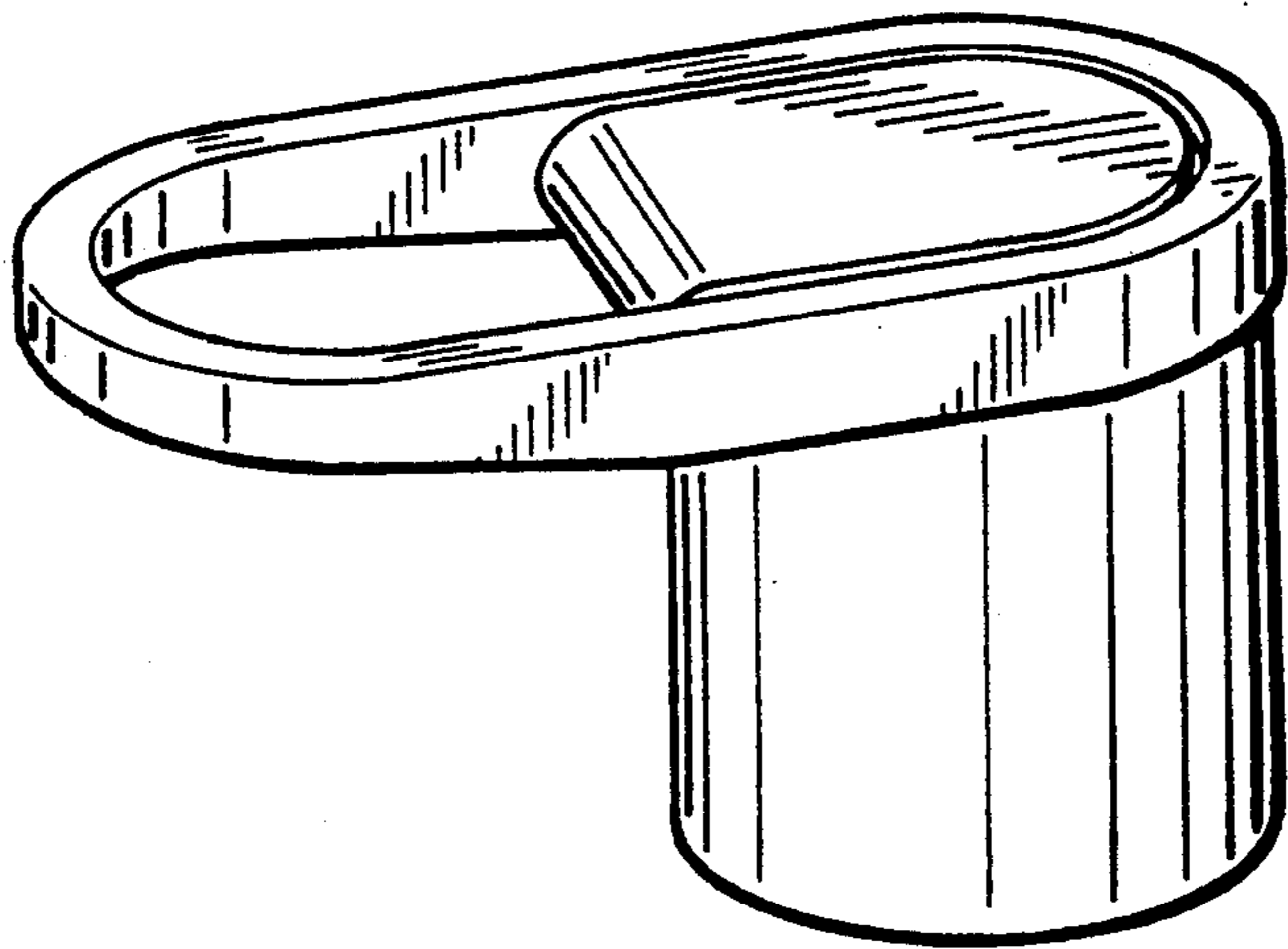
FIG. 1 is a perspective view taken from the top and right side of a faucet handle showing my new design; FIG. 2 is a left side elevational view thereof, the right side being a mirror image of the left side; FIG. 3 is a top plan view thereof; FIG. 4 is a bottom plan view thereof; FIG. 5 is a front elevational view thereof; FIG. 6 is a rear elevational view thereof; FIG. 7 is a perspective view taken from the top and right side of a second embodiment thereof; FIG. 8 is a perspective view taken from the top and right side of a third embodiment thereof; and, FIG. 9 is a perspective view taken from the top and right side of a fourth embodiment there.

### [56] References Cited

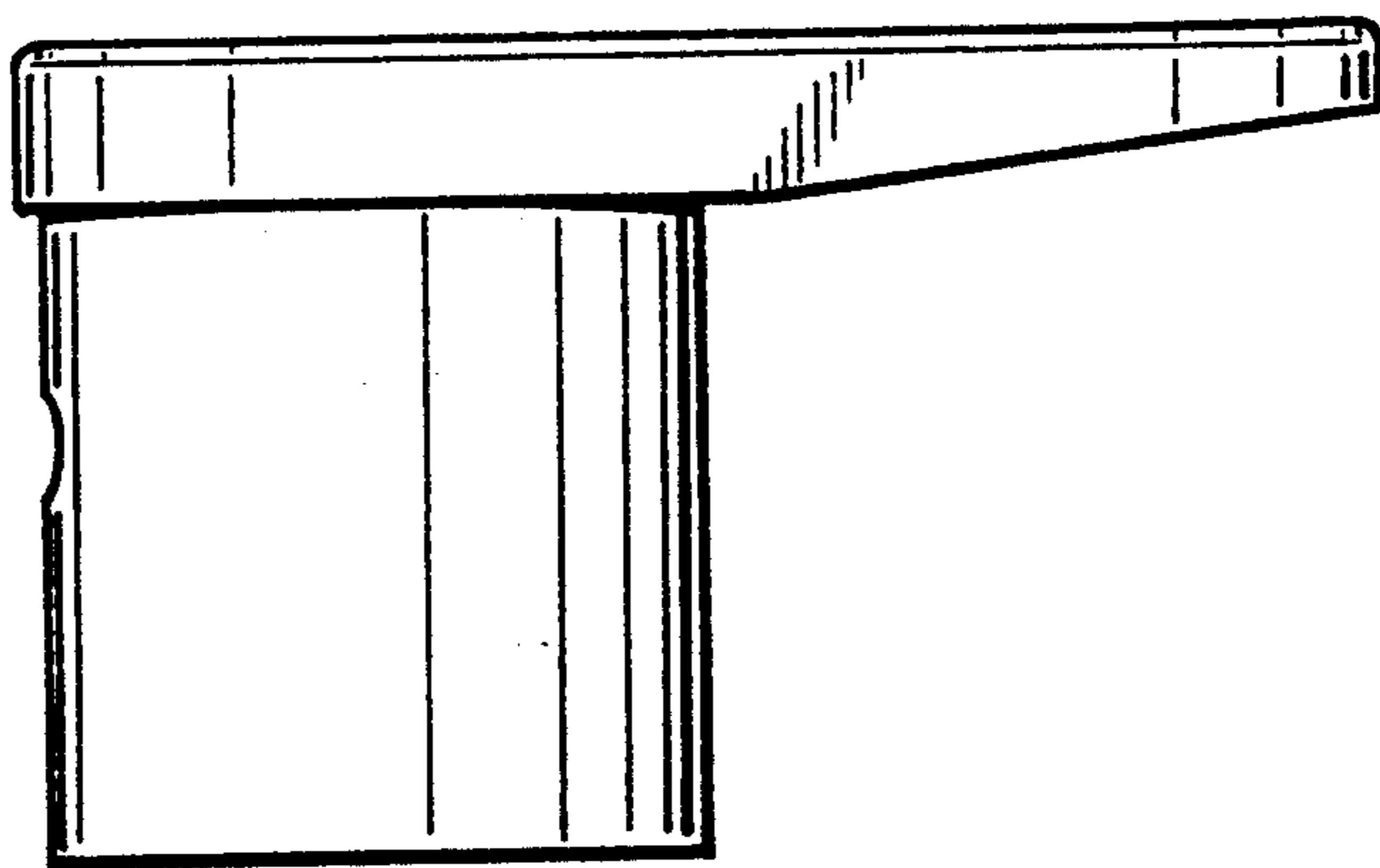
#### U.S. PATENT DOCUMENTS

D. 254,088	1/1980	Haug	.....	D23/252
D. 291,238	8/1987	Haug et al.	.....	D23/252
D. 303,565	9/1989	Paul	.....	D23/242
D. 314,228	1/1991	Haug et al.	.....	D23/238
D. 324,095	2/1992	Grohe	.....	D23/238
D. 324,904	3/1992	Haug et al.	.....	D23/238
D. 325,959	5/1992	Kalada	.....	D23/252
D. 327,119	6/1992	Kohler, Jr.	.....	D23/252

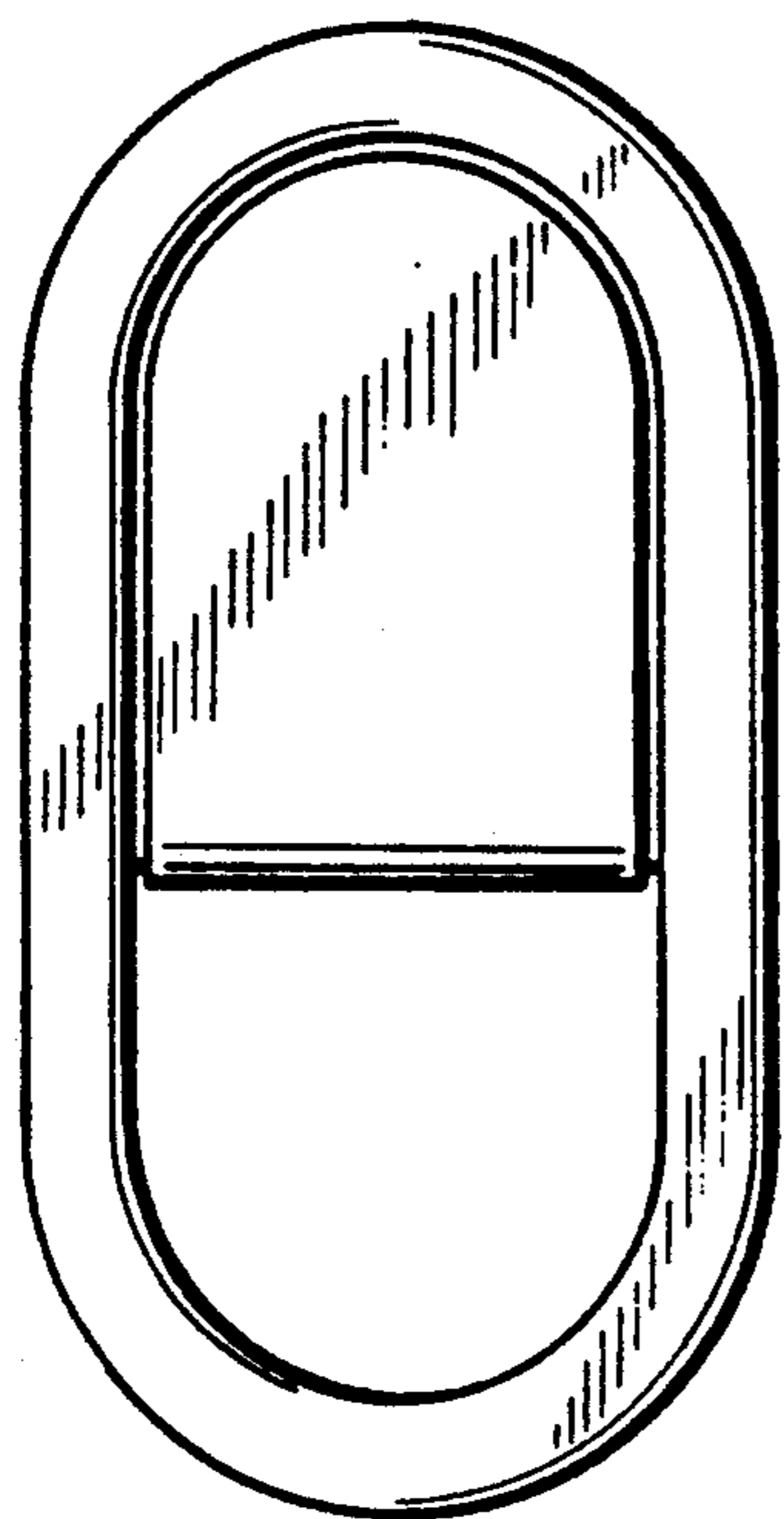




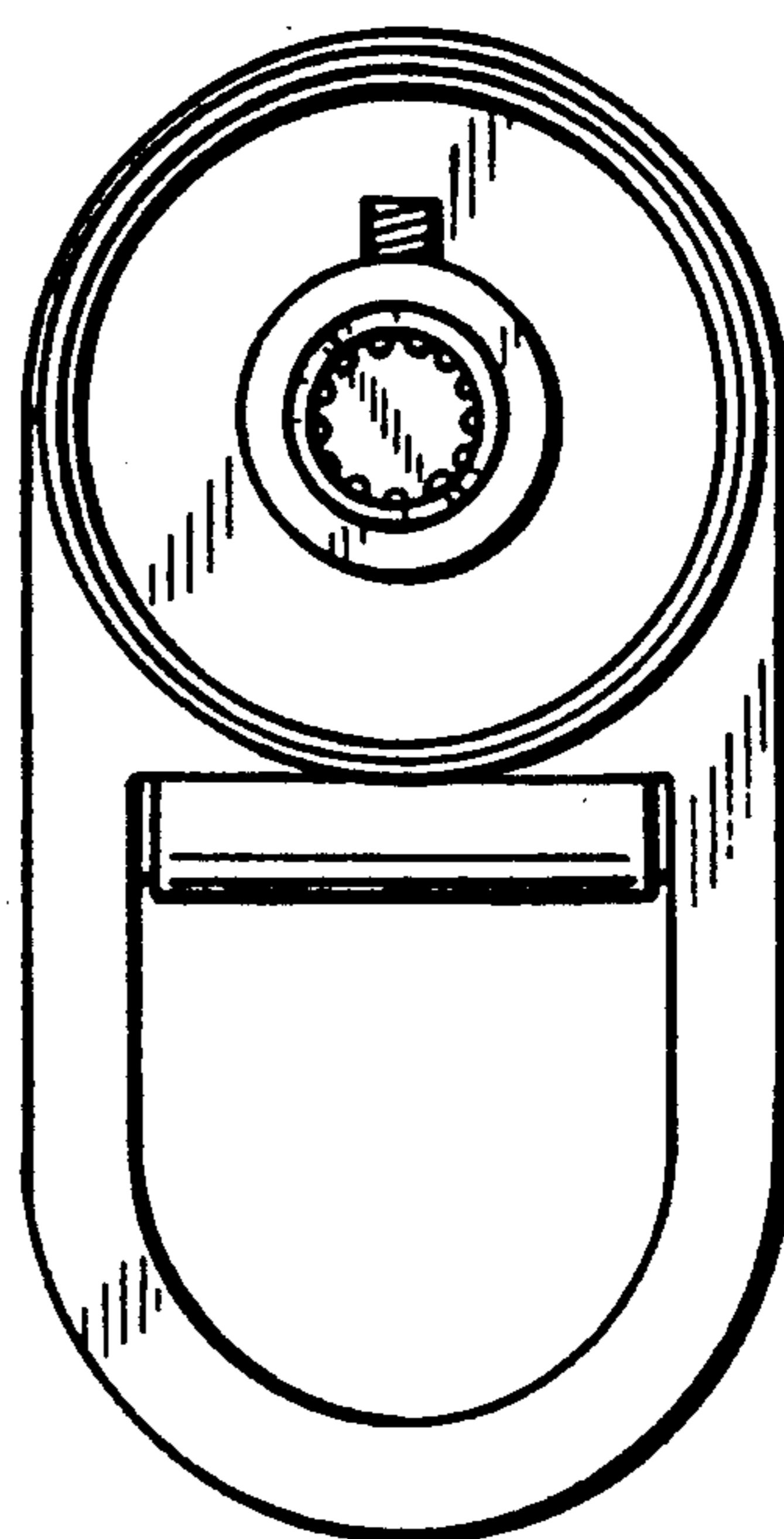
*FIG. 1*



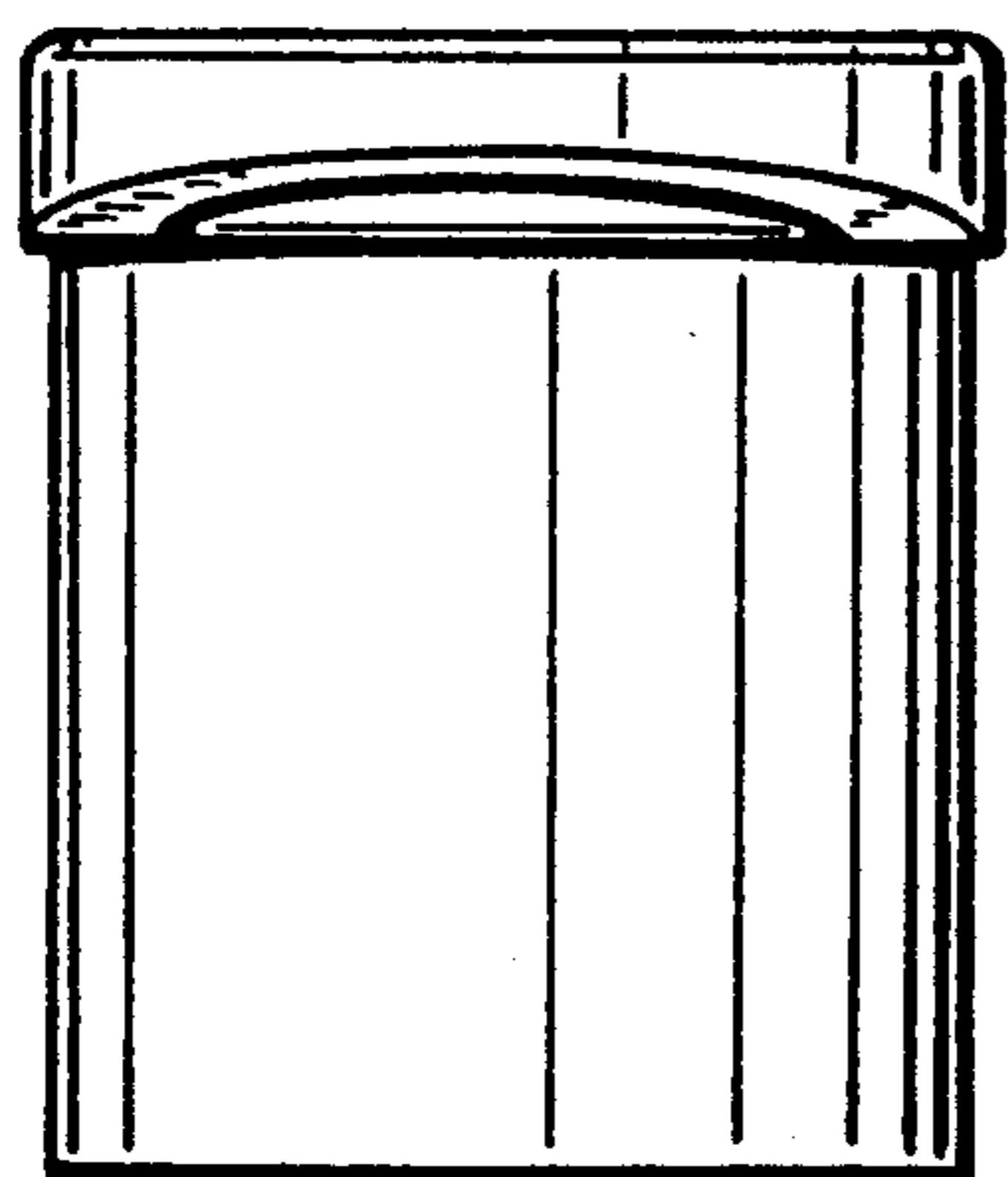
*FIG. 2*



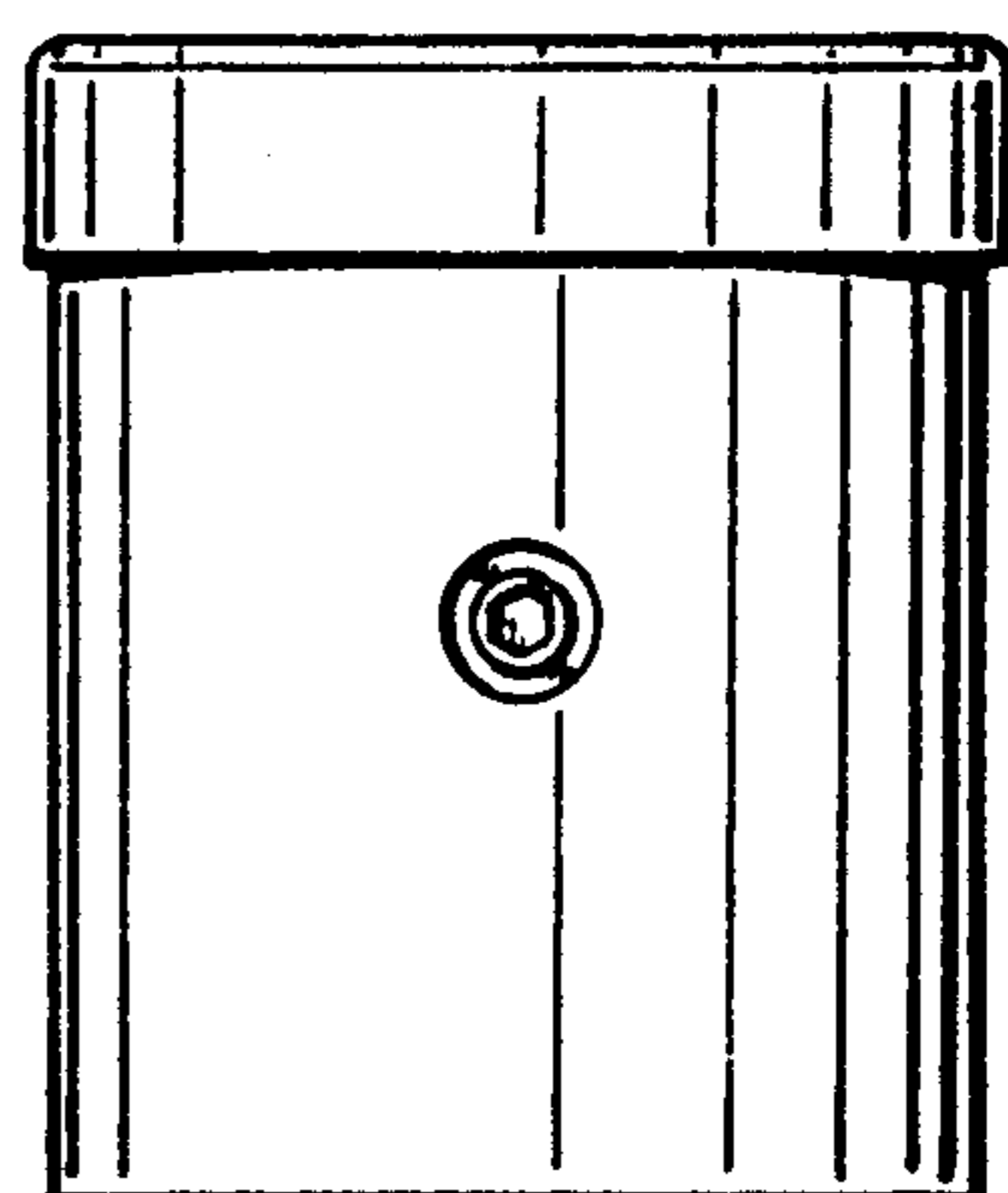
*FIG. 3*



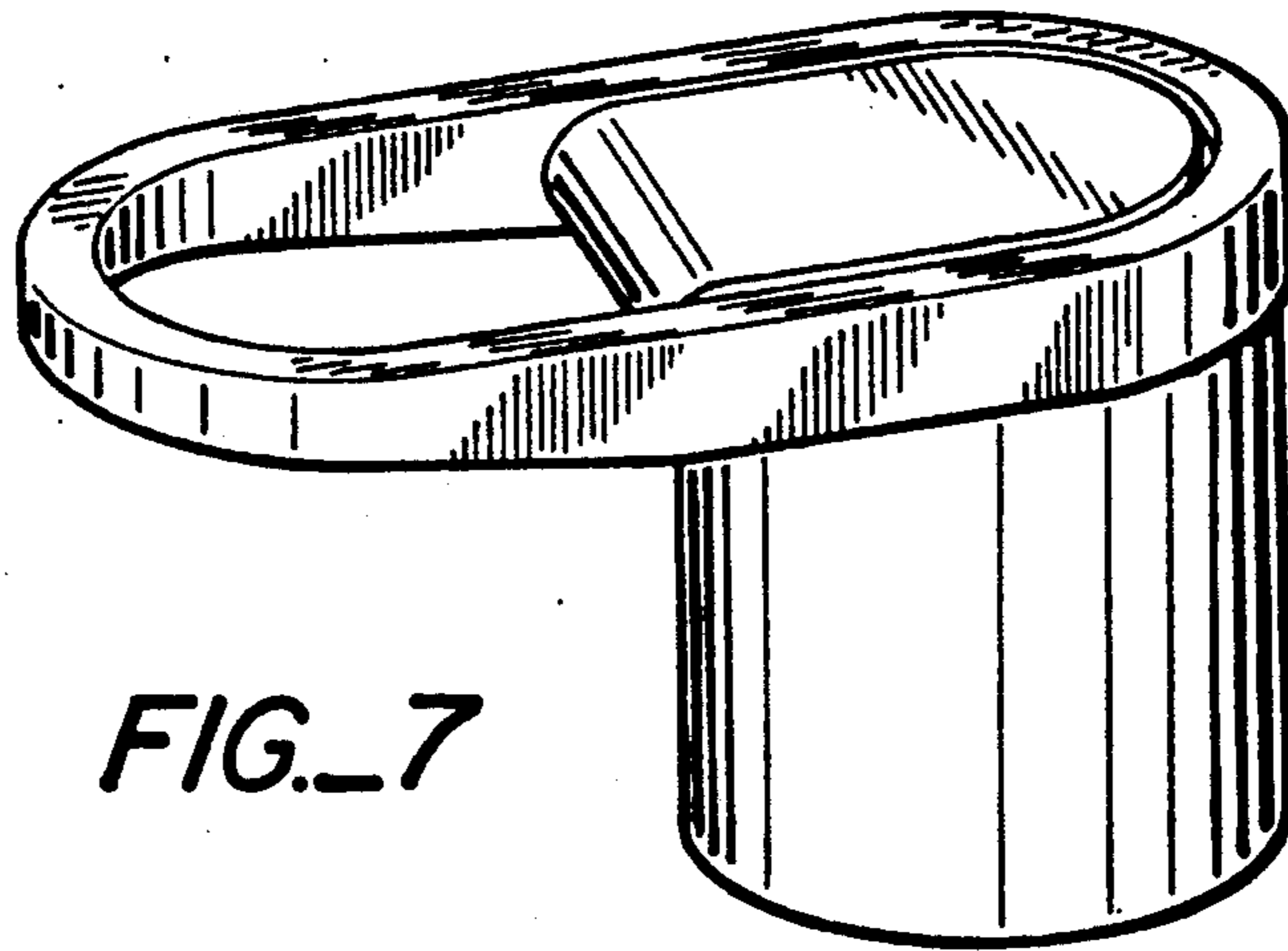
*FIG. 4*



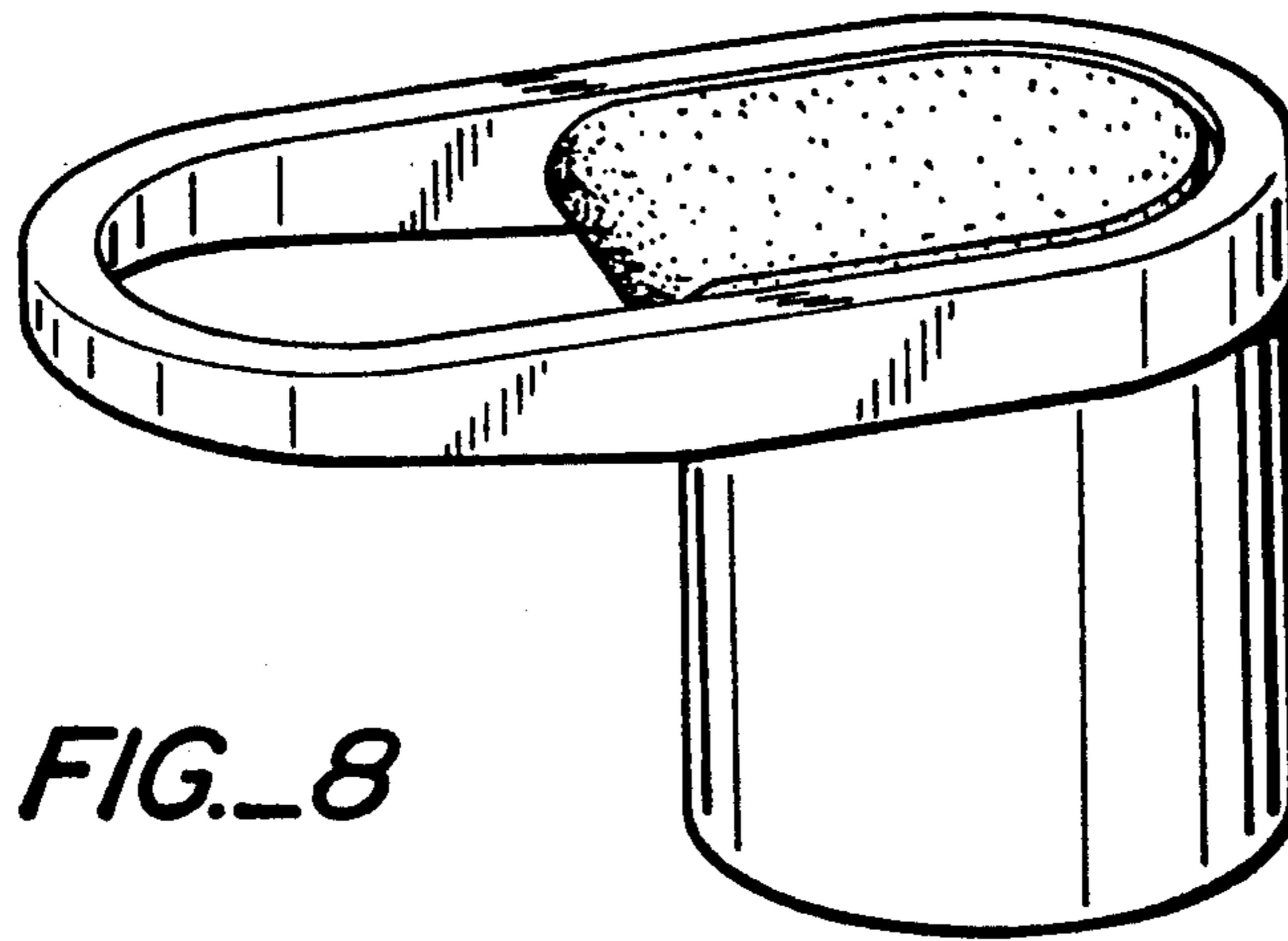
*FIG. 5*



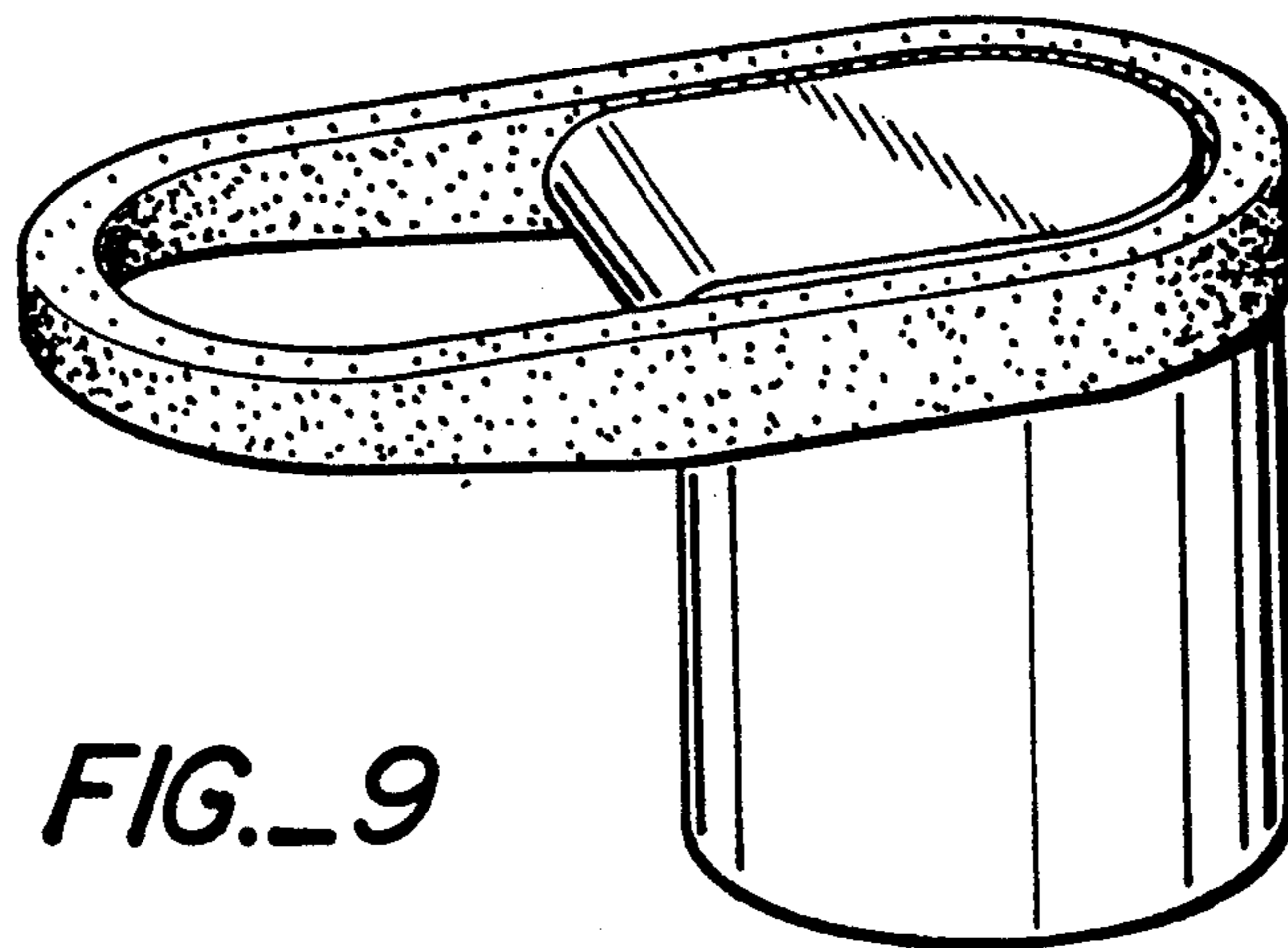
*FIG. 6*



*FIG. 7*



*FIG. 8*



*FIG. 9*