



US00D339848S

United States Patent [19]
Gottwald

[11] **Patent Number: Des. 339,848**
[45] **Date of Patent: ** Sep. 28, 1993**

[54] **COMBINED BATHTUB FAUCET AND HAND SHOWER**

[75] **Inventor: Adolf Gottwald, Iserlohn, Fed. Rep. of Germany**

[73] **Assignee: Friedrich Grohe Aktiengesellschaft, Hemer, Fed. Rep. of Germany**

[**] **Term: 14 Years**

[21] **Appl. No.: 717,107**

[22] **Filed: Jun. 18, 1991**

[30] **Foreign Application Priority Data**

Dec. 21, 1990 [DE] Fed. Rep. of Germany M9008428.4

[52] **U.S. Cl. D23/241**

[58] **Field of Search D23/238-243, D23/250-257; D8/300, 307-312, 676, 677, 678; 137/606, 801**

[56] **References Cited**

U.S. PATENT DOCUMENTS

D. 61,953 2/1923 Hitchcock D23/243
D. 78,619 5/1929 Frankenberger D23/243
D. 114,200 4/1939 Sedlon et al. D23/238

D. 220,624 5/1971 Urban D23/241
D. 233,235 10/1974 Arbon D23/238
D. 242,454 11/1976 Jones D23/241
D. 245,092 7/1977 Saether D23/241
D. 245,093 7/1977 Saether D23/241 X
D. 258,676 3/1981 Colani D23/241
D. 291,114 7/1987 Piesco D23/239 X
D. 312,118 11/1990 Son D23/238
D. 315,194 3/1991 Haug et al. D23/238
4,750,519 6/1988 Chao-Chun 137/625.4 X

Primary Examiner—James R. Largen
Attorney, Agent, or Firm—Herbert Dubno; Ronald Lianides

[57] **CLAIM**

The ornamental design for a combined bathtub faucet and hand shower, as shown.

DESCRIPTION

FIG. 1 is a front perspective view of a combined bathtub faucet and hand shower showing my new design; FIG. 2 is a front elevational view thereof; FIG. 3 is a left-side elevational view thereof; FIG. 4 is a right-side elevational view thereof; FIG. 5 is a rear elevational view thereof; FIG. 6 is a top plan view thereof; and, FIG. 7 is a bottom plan view thereof.

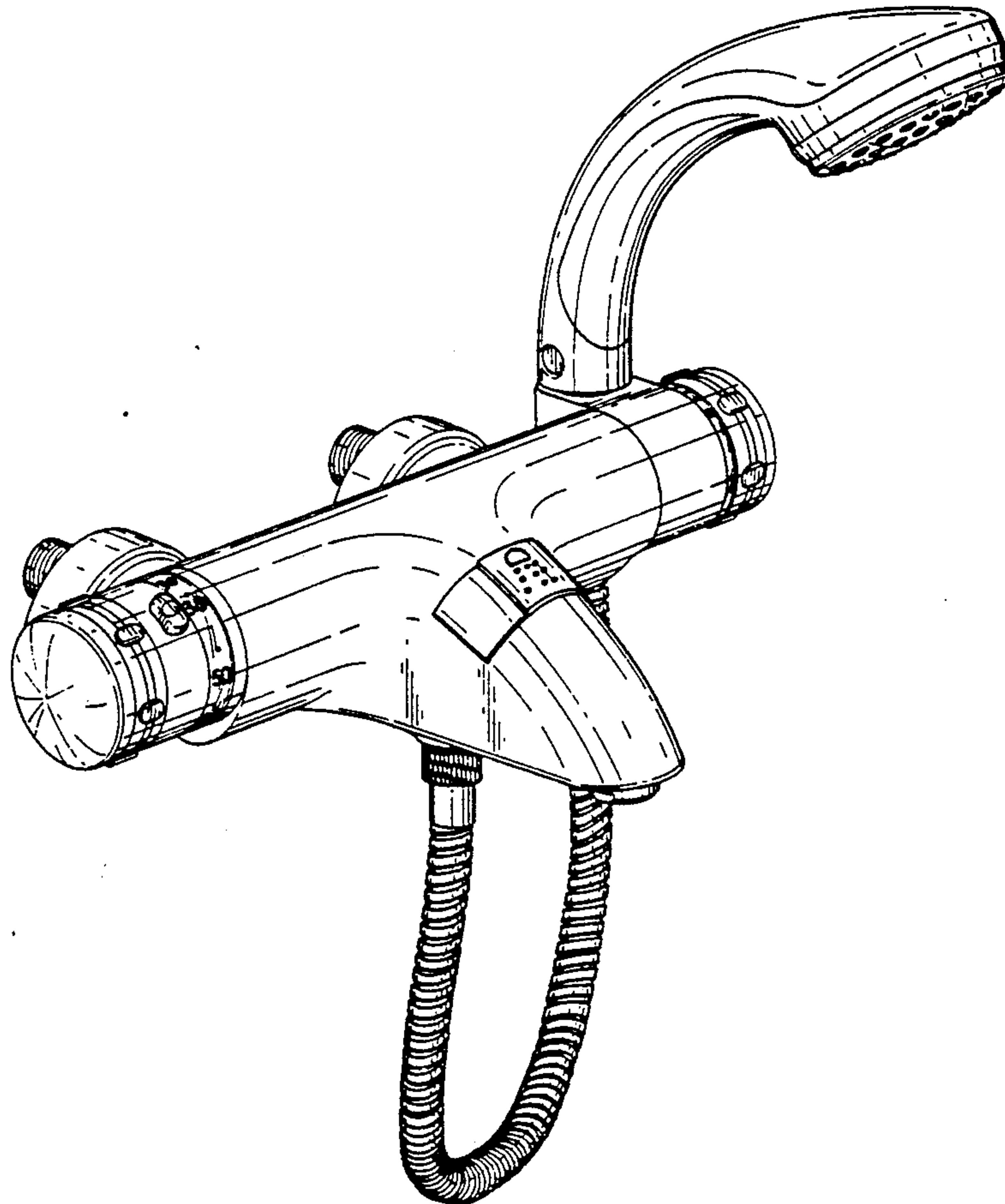


FIG. 1

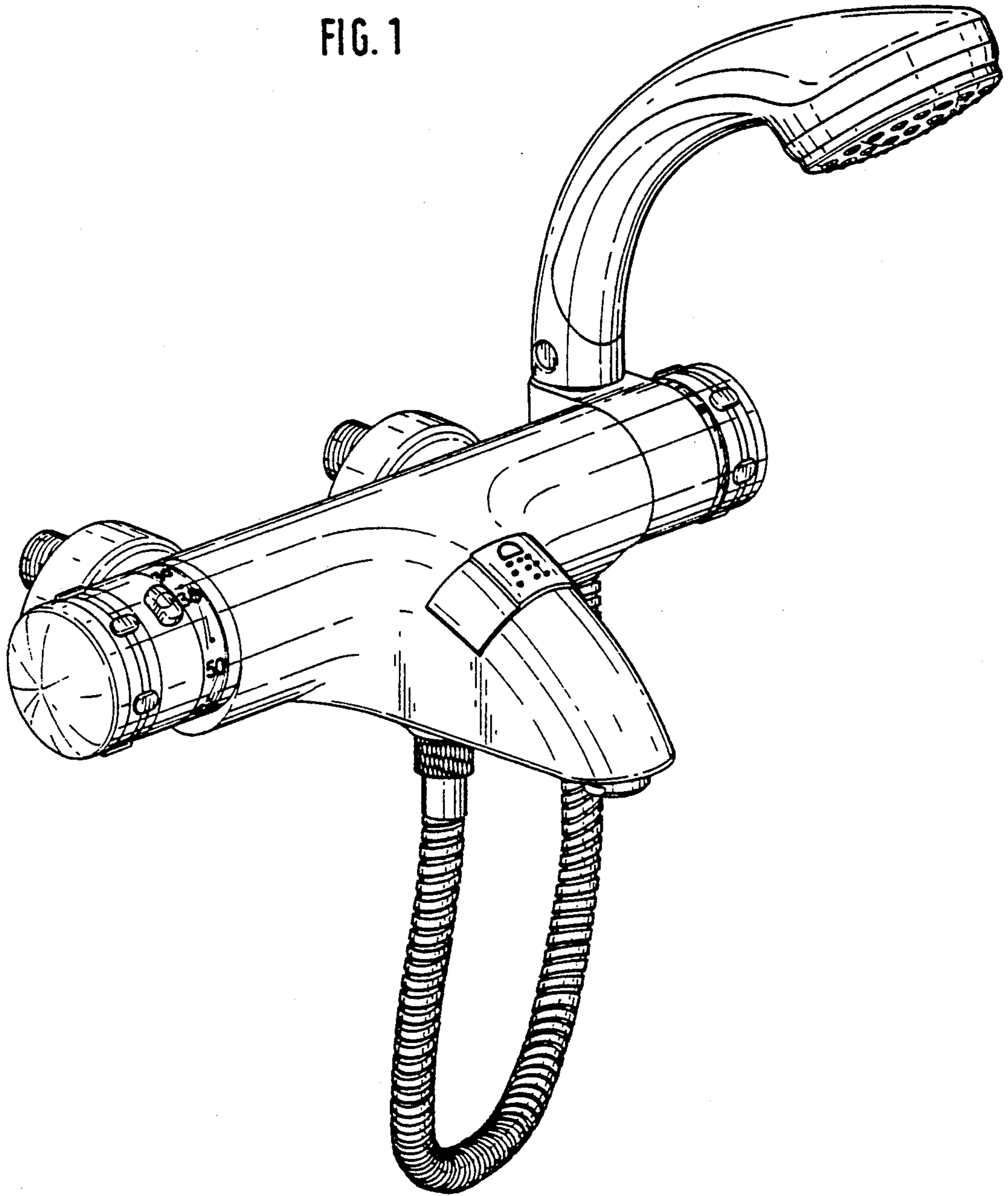


FIG. 2

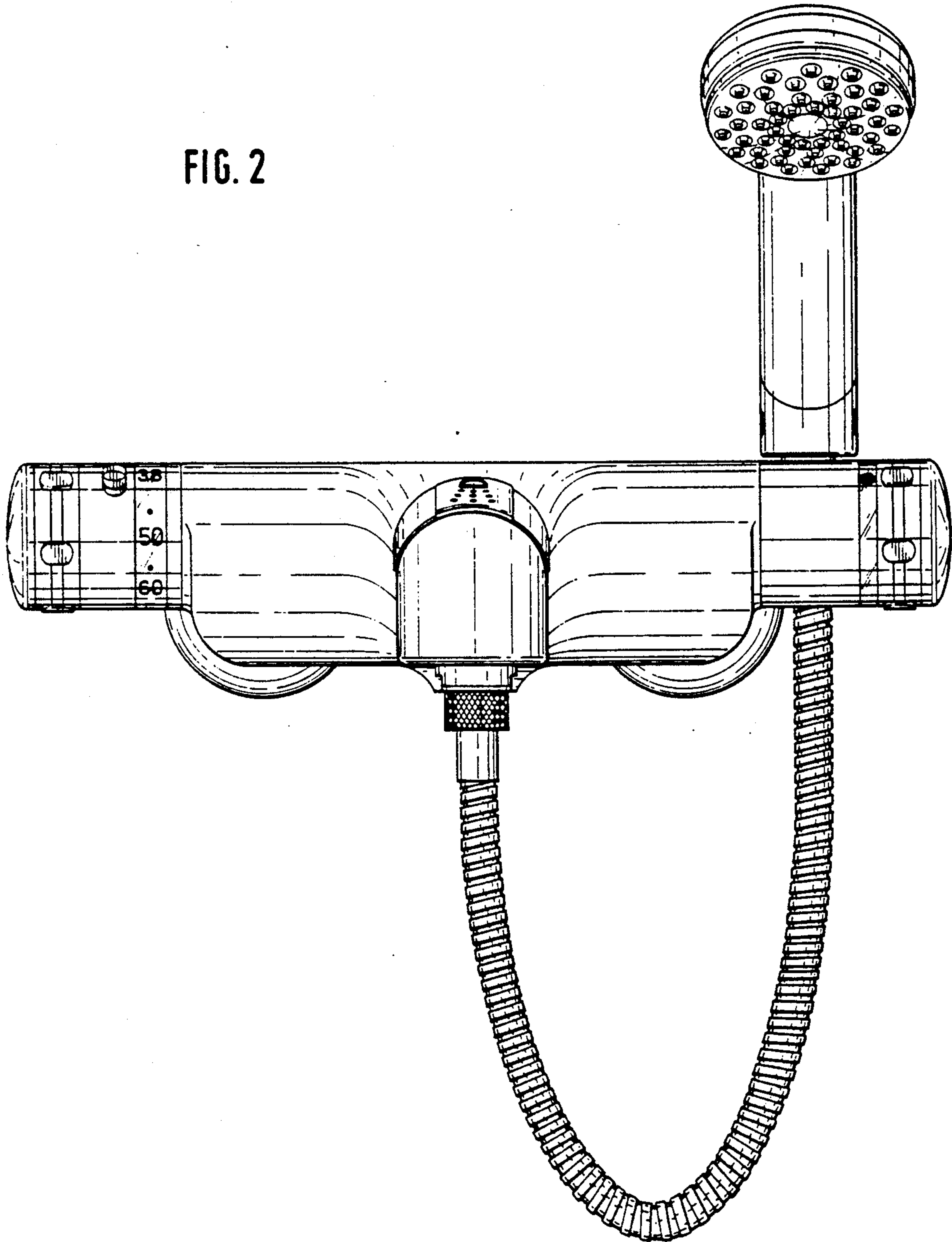


FIG. 3

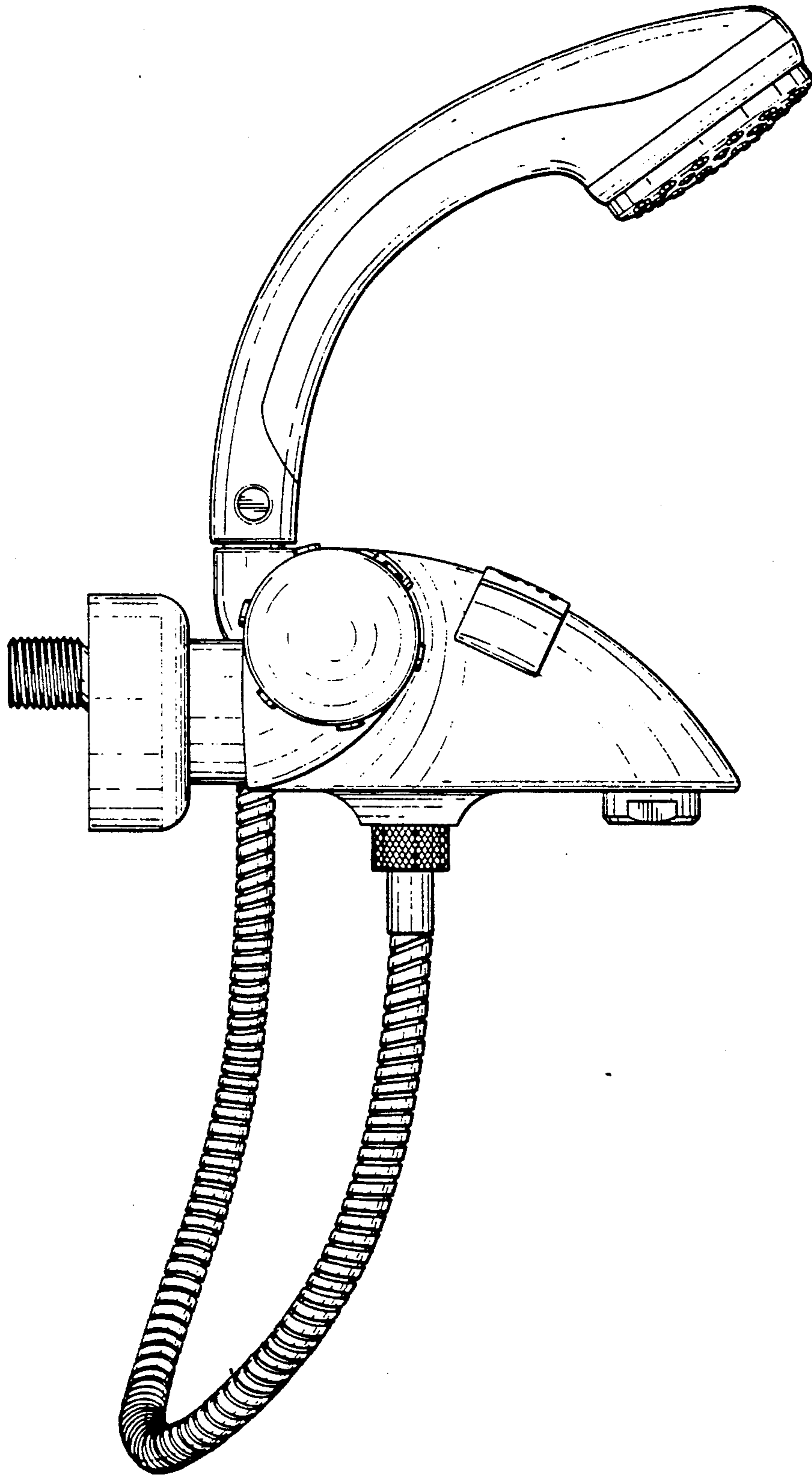
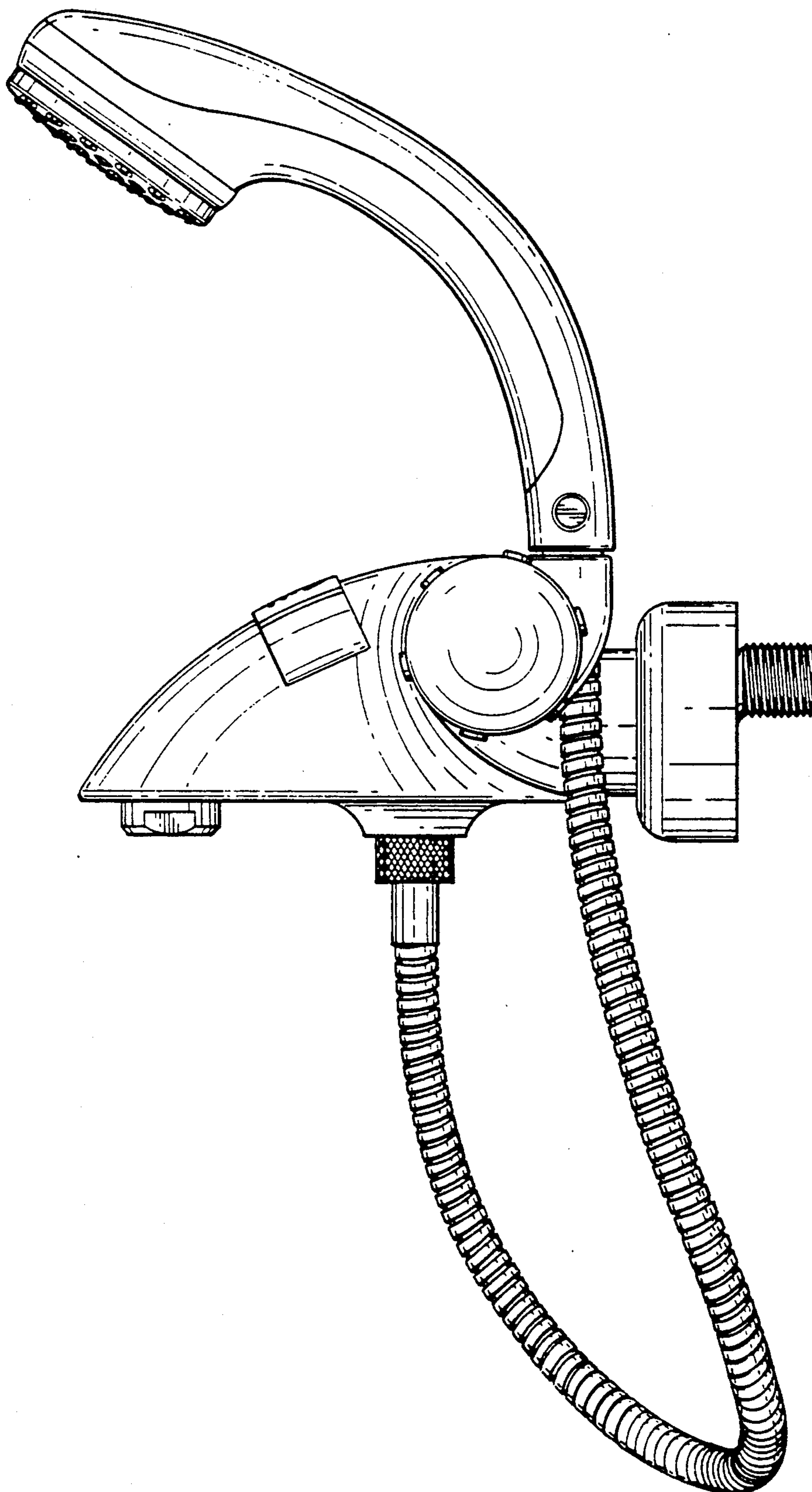


FIG. 4



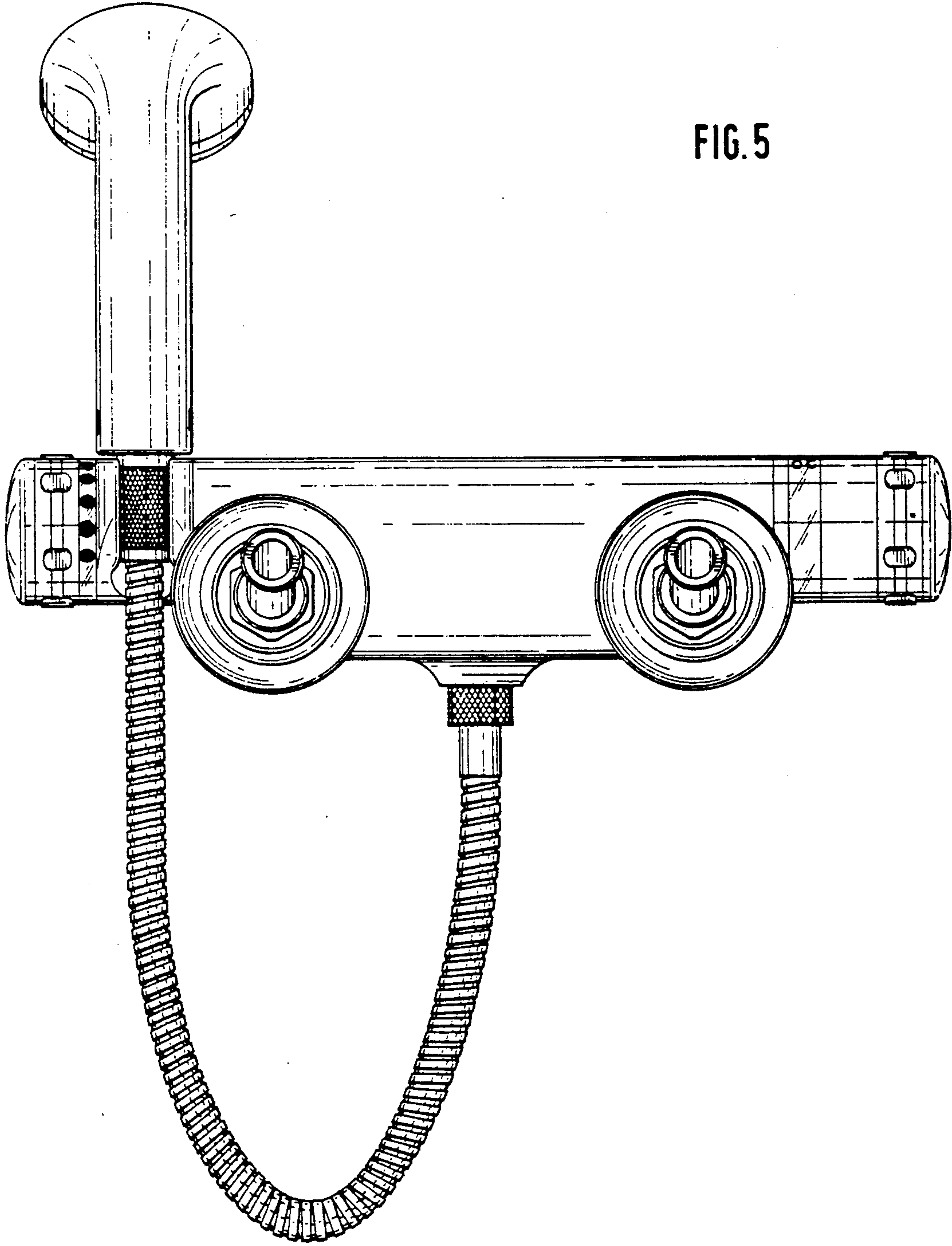


FIG. 5

FIG. 6

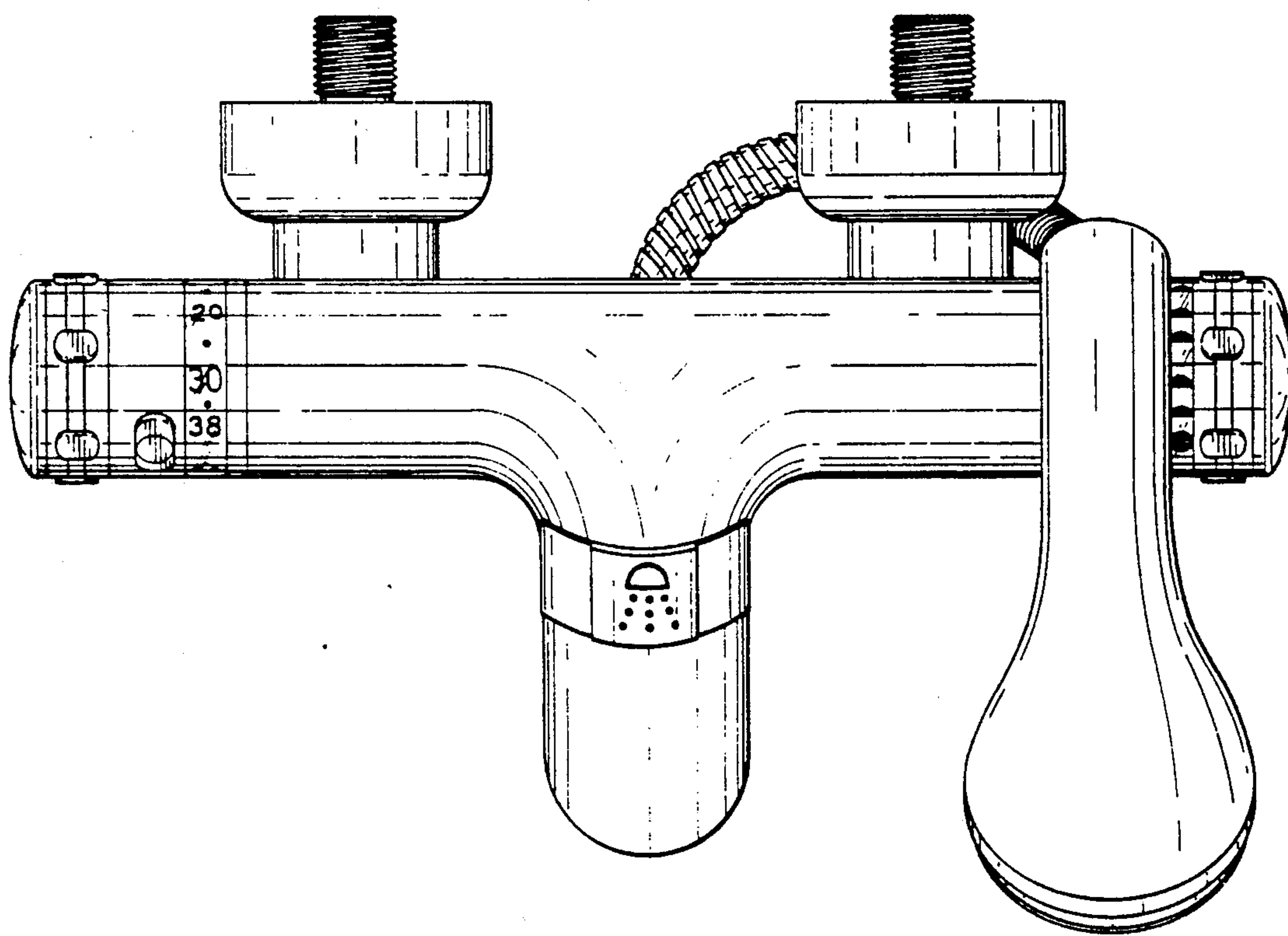


FIG. 7

