



US00D339847S

United States Patent [19]

[11] Patent Number: **Des. 339,847**

Jans

[45] Date of Patent: **** Sep. 28, 1993**

[54] FAUCET

[75] Inventor: **Franz W. Jans, Roedermark, Fed. Rep. of Germany**

[73] Assignee: **JADO Bathroom and Hardware Manufacturing Corp., Camarillo, Calif.**

[**] Term: **14 Years**

[21] Appl. No.: **792,898**

[22] Filed: **Nov. 15, 1991**

[52] U.S. Cl. **D23/238**

[58] Field of Search **D23/238-243, D23/250, 257; 4/675-678; 137/625.17, 801**

[56] **References Cited**

U.S. PATENT DOCUMENTS

- D. 113,398 2/1939 Reinecke D23/238
- D. 220,101 3/1971 Brown et al. D23/238
- D. 227,762 7/1973 Arbon D23/238
- D. 291,232 8/1987 Haug et al. D23/238
- D. 291,234 8/1987 Bergmann et al. D23/238

- D. 291,235 8/1987 Bergmann et al. D23/238
- D. 292,607 11/1987 Wu D23/238
- D. 301,162 5/1989 Oberdorfer D23/238
- D. 317,646 6/1991 Yost D23/252
- D. 321,038 10/1991 Delepine D23/238
- D. 324,095 2/1992 Grohe D23/238
- D. 324,725 3/1992 Lang et al. D23/252
- D. 333,340 2/1993 Chretien D23/238

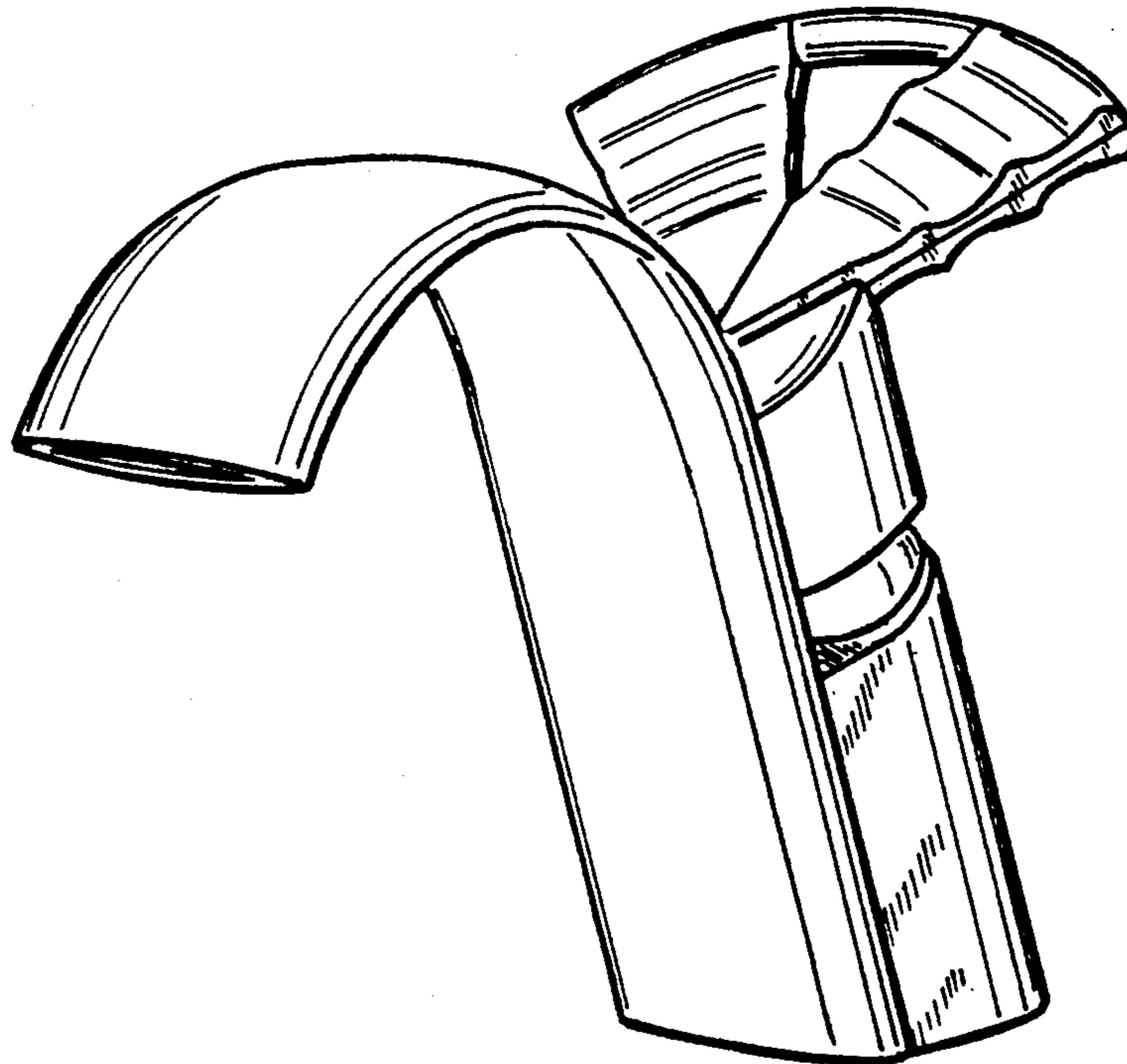
Primary Examiner—James R. Largen

[57] **CLAIM**

The ornamental design for a faucet, as shown and described.

DESCRIPTION

FIG. 1 is a perspective view of a faucet showing my new design;
 FIG. 2 is a left side elevational view thereof, the right side being a mirror image of the left side;
 FIG. 3 is a rear elevational view thereof;
 FIG. 4 is a front elevational view thereof;
 FIG. 5 is a top view thereof; and,
 FIG. 6 is a bottom view thereof.



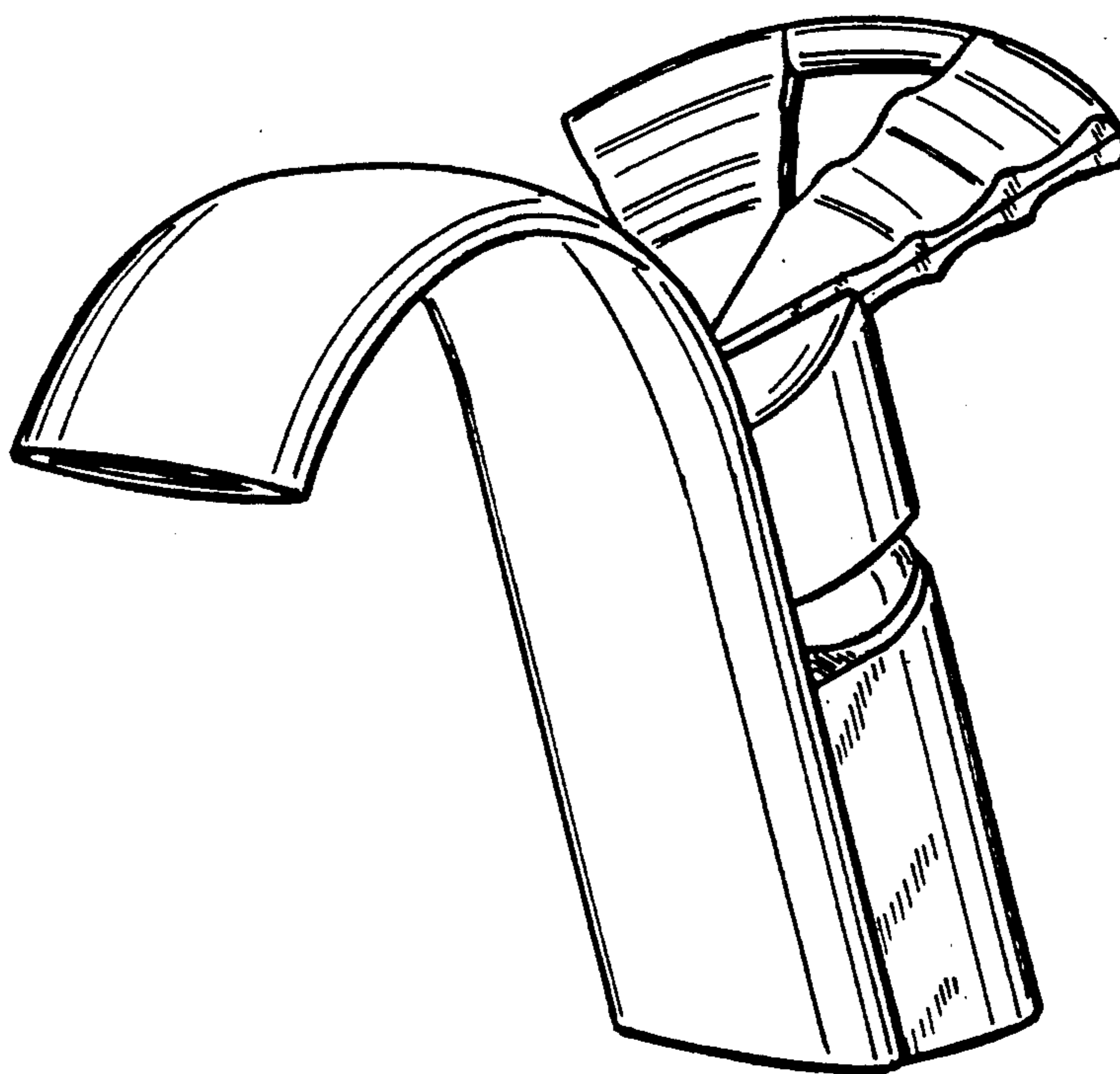


FIG. 1

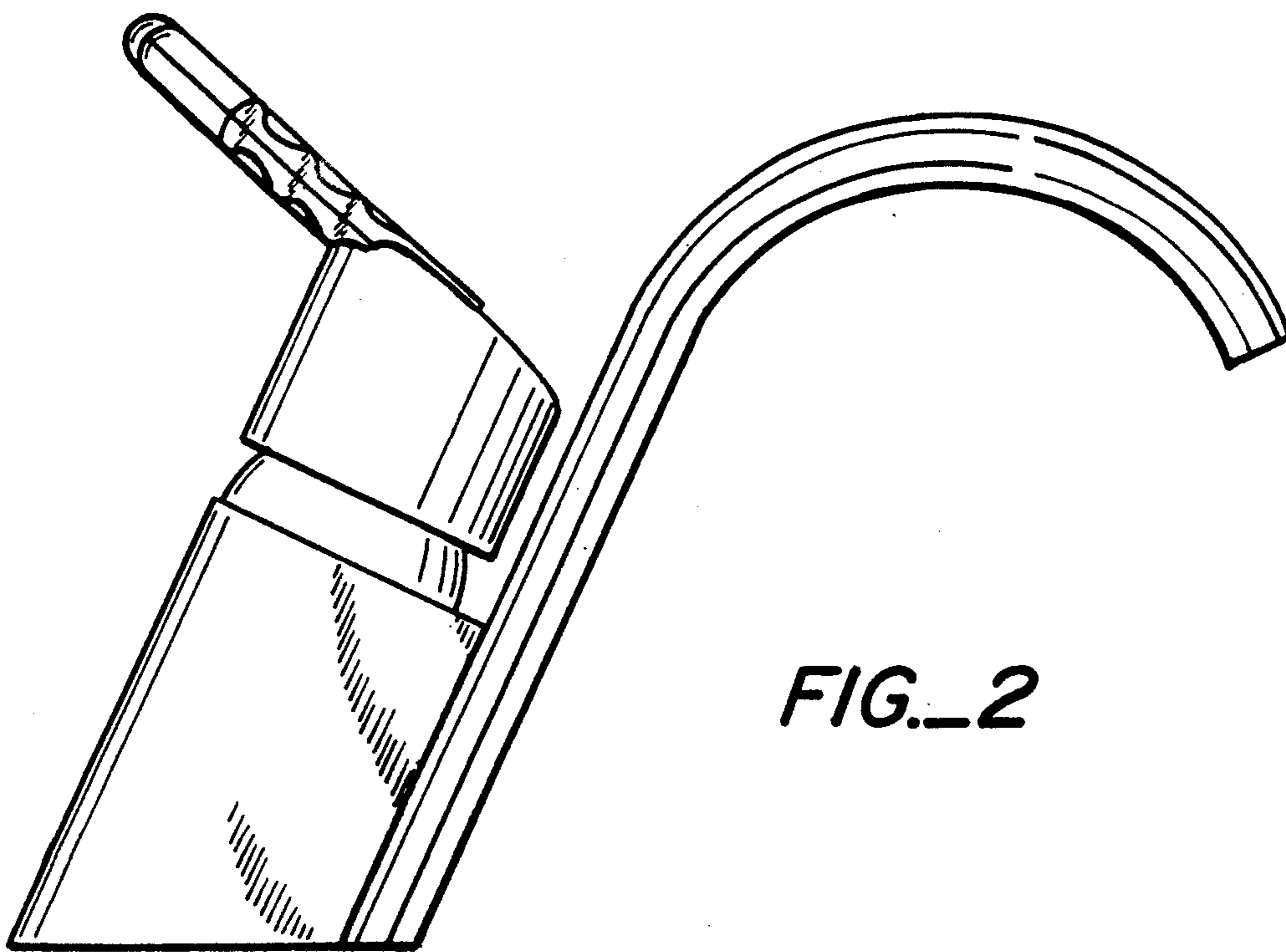


FIG. 2

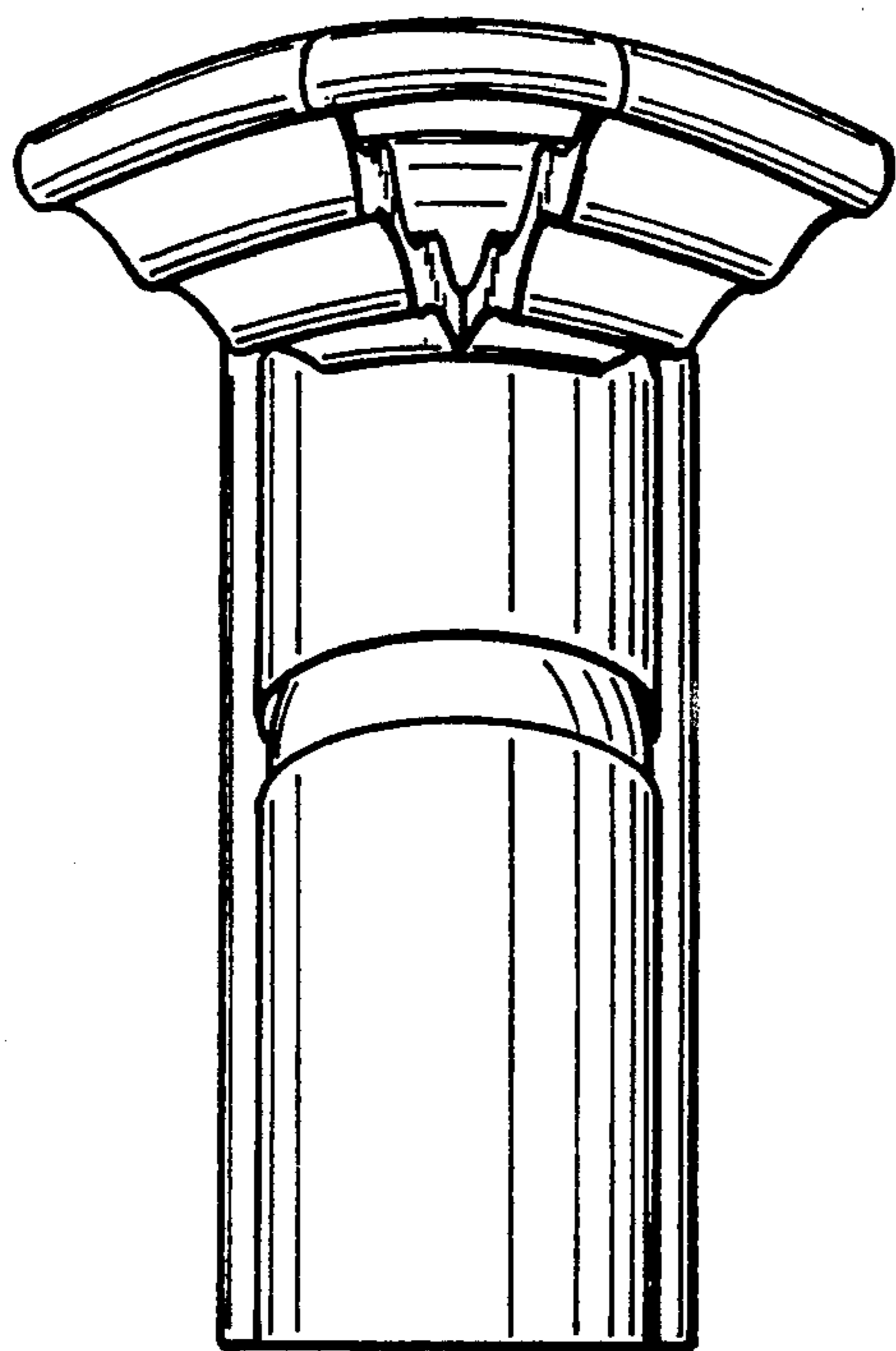


FIG._3

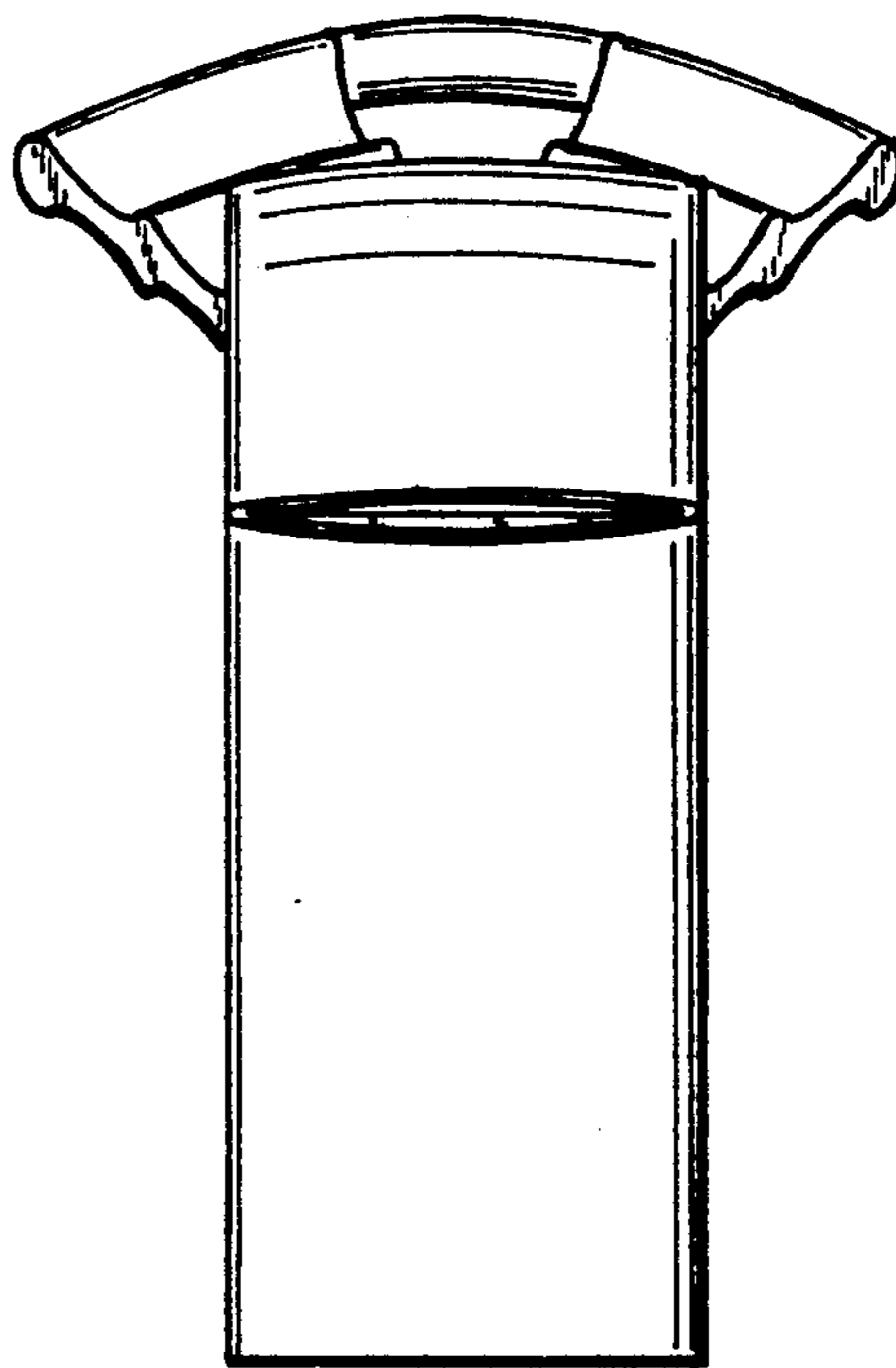


FIG._4

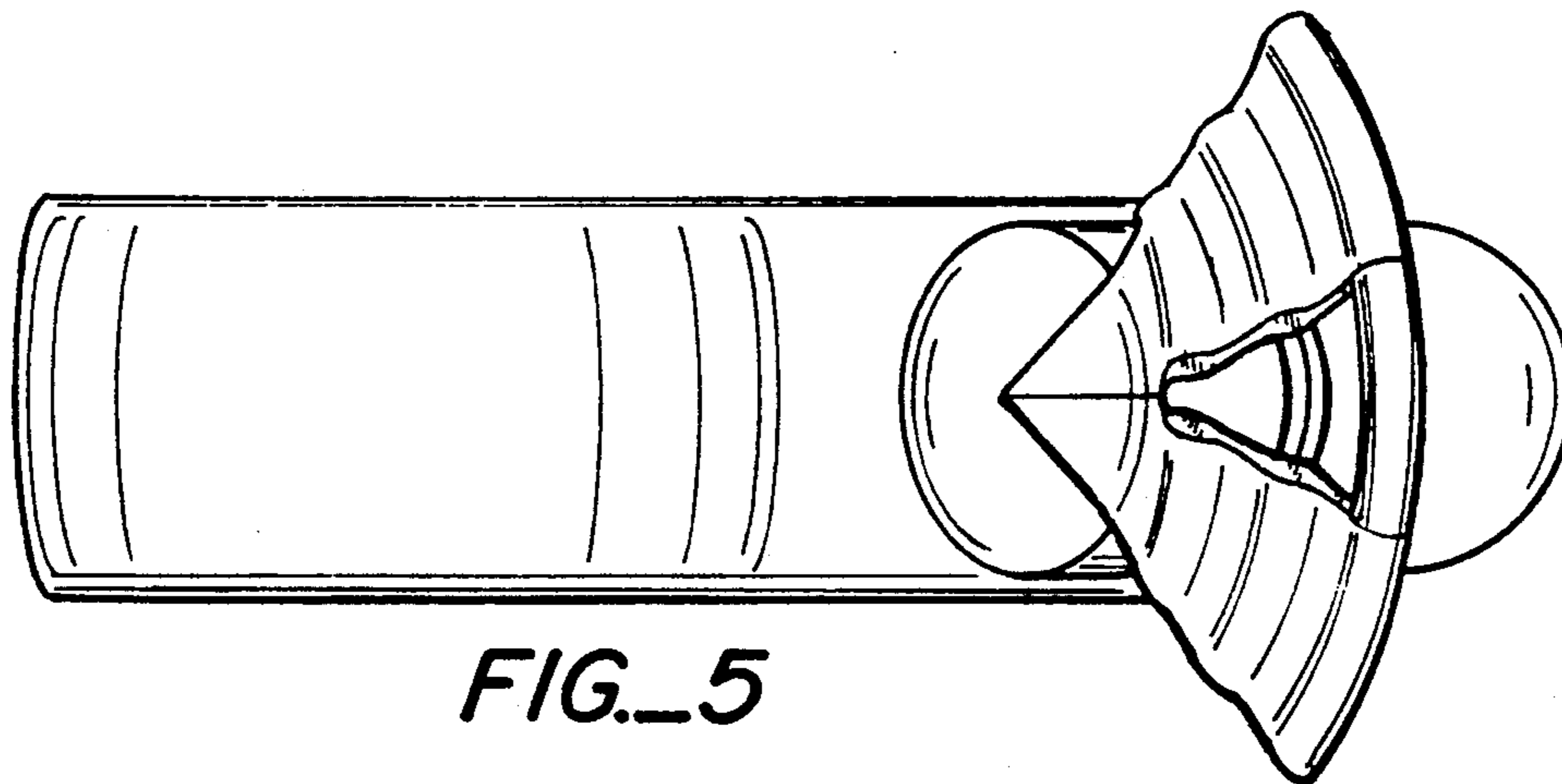


FIG._5

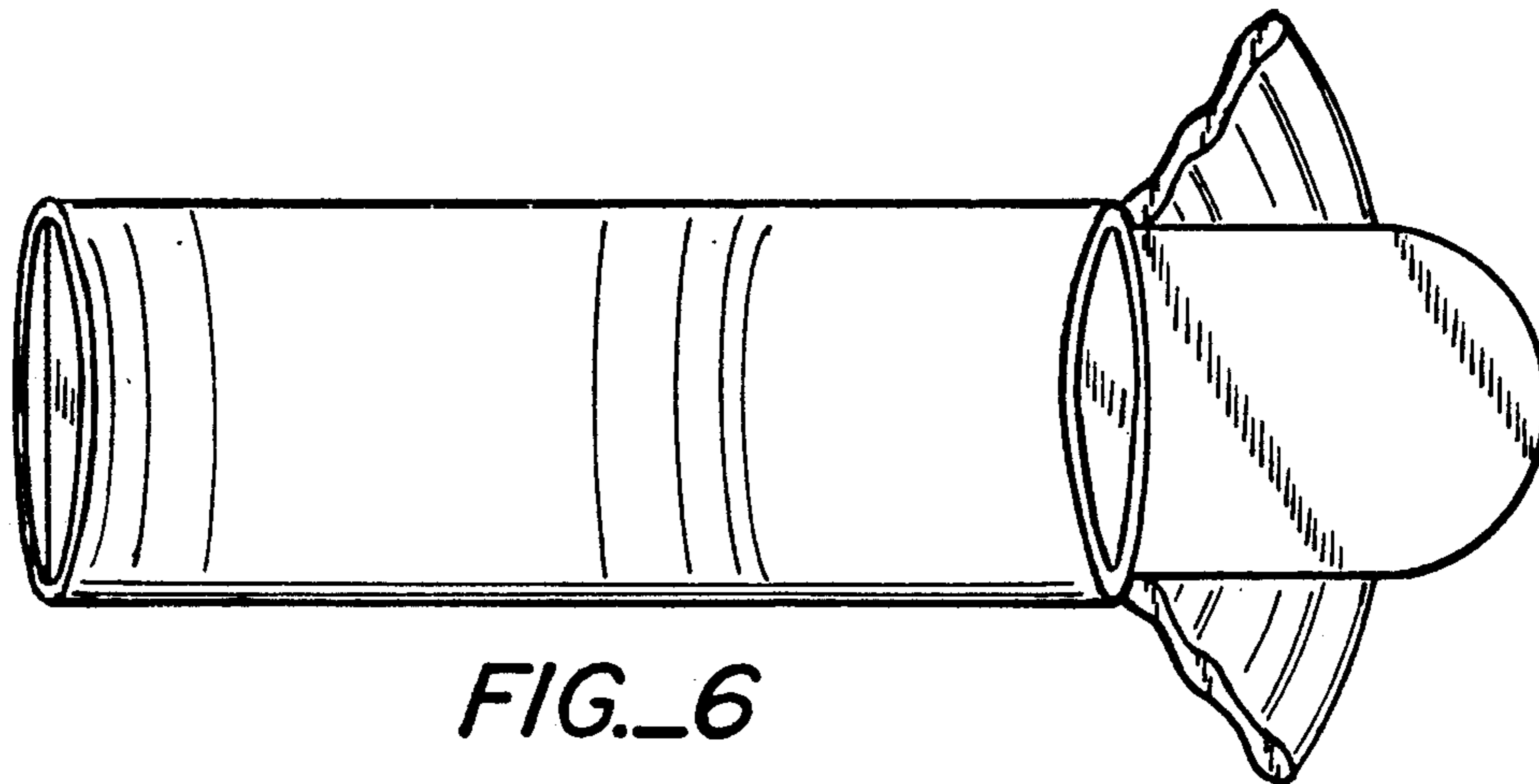


FIG._6