



US00D339841S

United States Patent [19]

Gelinas

[11] Patent Number: **Des. 339,841**

[45] Date of Patent: **** Sep. 28, 1993**

[54] **INSECT CATCHER**

[76] Inventor: **Theodore J. Gelinas, 47 W. Hyannisport Cir., Hyannis, Mass. 02601**

[**] Term: **14 Years**

[21] Appl. No.: **561,655**

[22] Filed: **Aug. 2, 1990**

[52] U.S. Cl. **D22/122**

[58] Field of Search **D22/119, 120, 122, 123; 43/139, 136, 132.1, 134, 110, 111, 133; D8/14.1**

[56] **References Cited**

U.S. PATENT DOCUMENTS

D. 199,067	9/1964	Laberge	D22/122
1,169,227	1/1916	Anderson	43/110
3,449,856	6/1969	Weaver	43/136
4,174,586	11/1979	Burzdak	43/134
4,336,644	1/1983	Lawrence	43/132.1
4,450,649	5/1984	Dunwoody	43/136 X

4,607,451	8/1986	Jarecki	D22/122 X
4,733,495	3/1988	Winnicki	43/139
4,759,150	7/1988	Pierce	43/136
4,850,133	7/1989	Burzdak	43/136

Primary Examiner—A. Hugo Word
Assistant Examiner—Doris V. Coles
Attorney, Agent, or Firm—Leon Gilden

[57] **CLAIM**

The ornamental design for an insect catcher, as shown and described.

DESCRIPTION

FIG. 1 is an enlarged front elevational view of an insect catcher showing my new design; FIG. 2 is an enlarged rear elevational view thereof; FIG. 3 is a left side elevational view thereof; FIG. 4 is a right side elevational view thereof; FIG. 5 is a top plan view thereof; FIG. 6 is a bottom plan view thereof; and, FIG. 7 is a perspective view thereof.

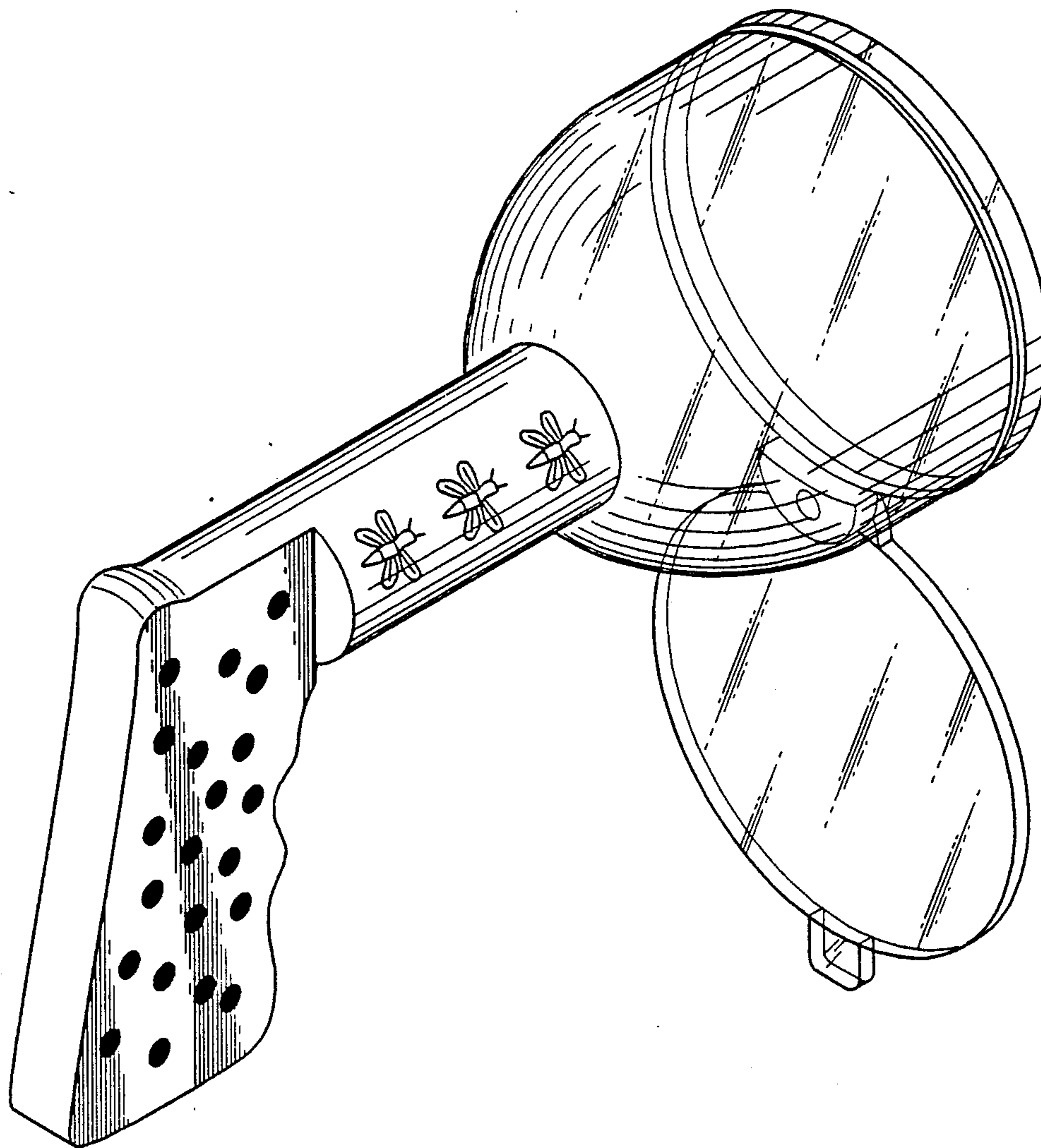


FIG. 2

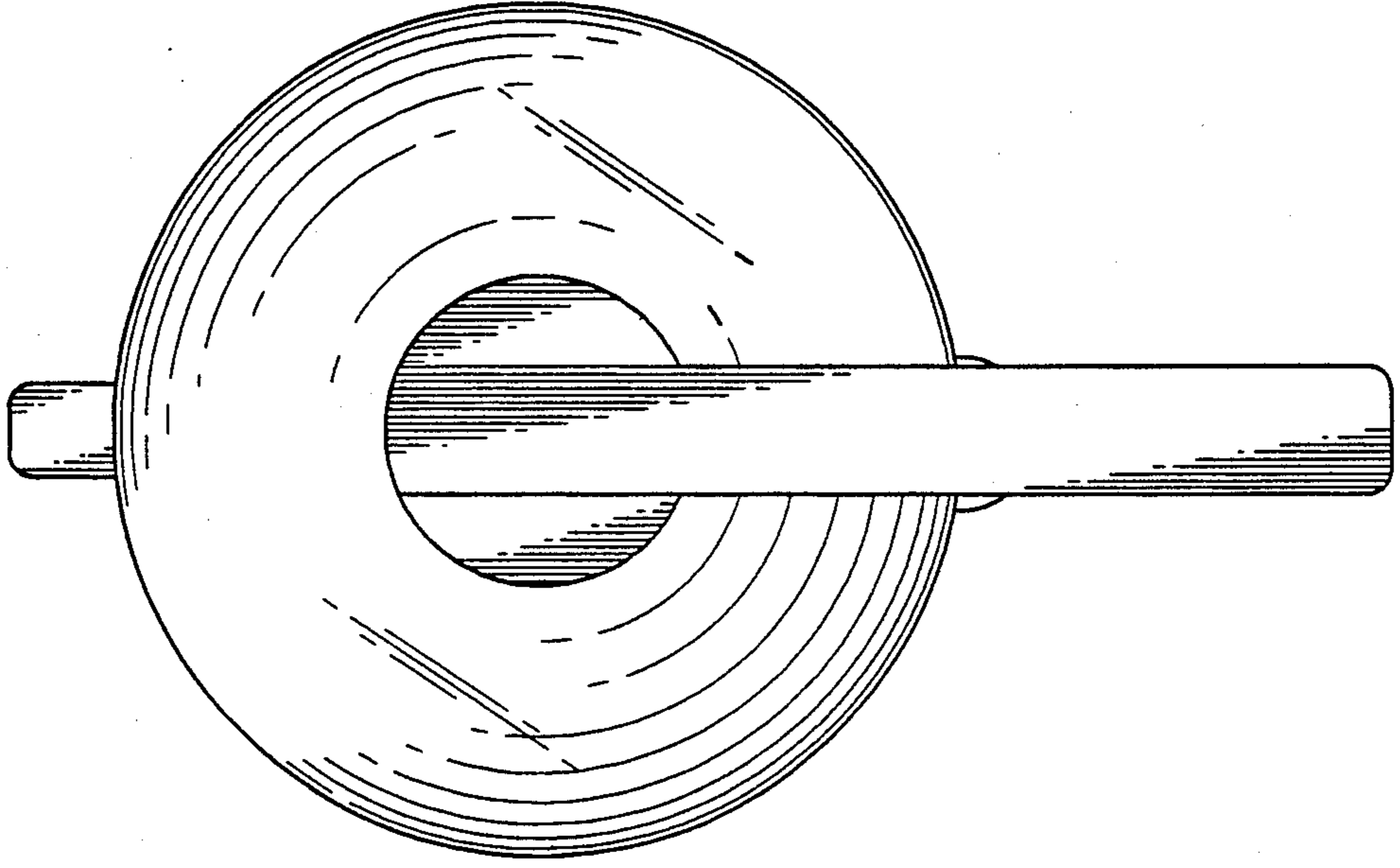


FIG. 1

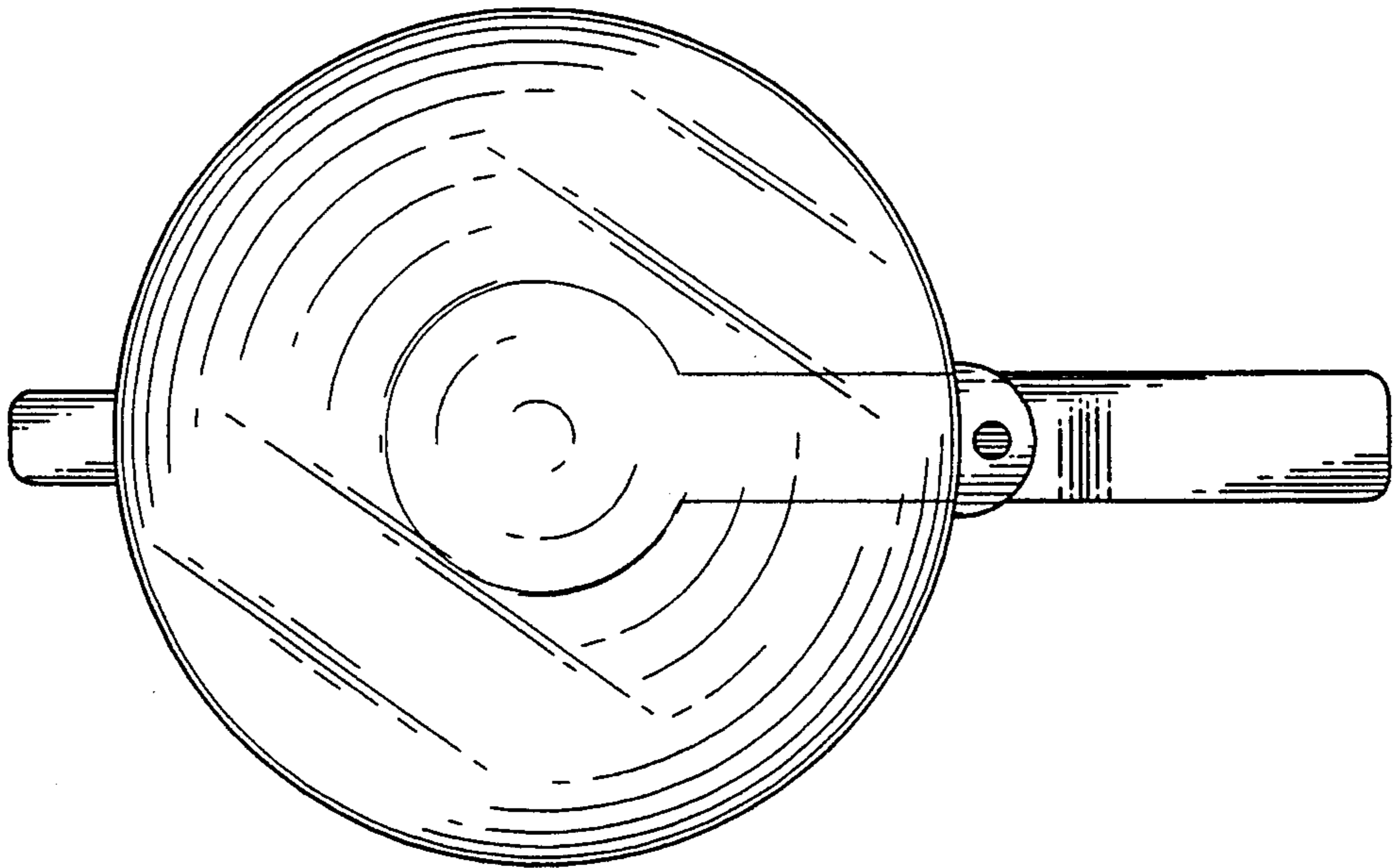


FIG. 3

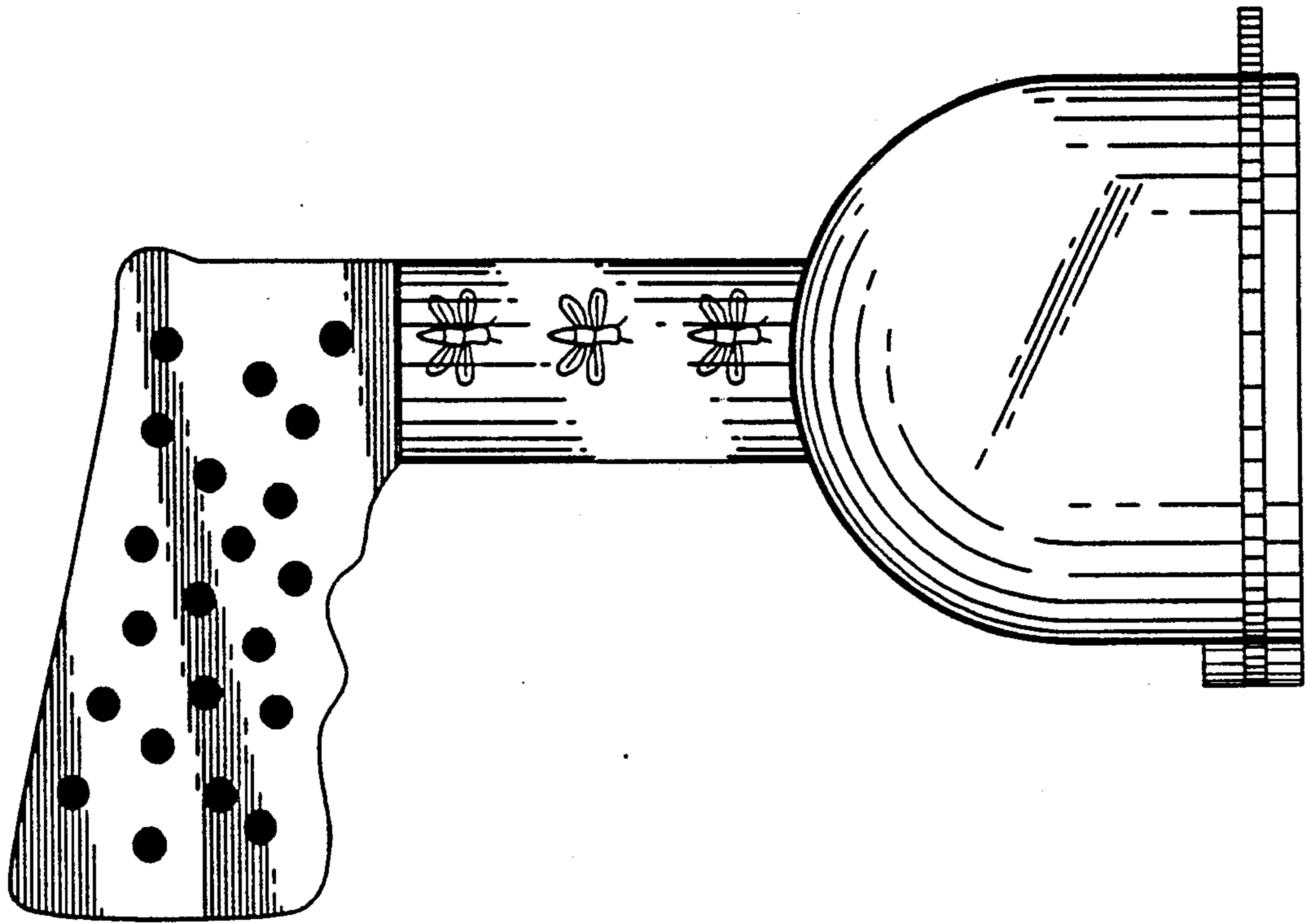


FIG. 4

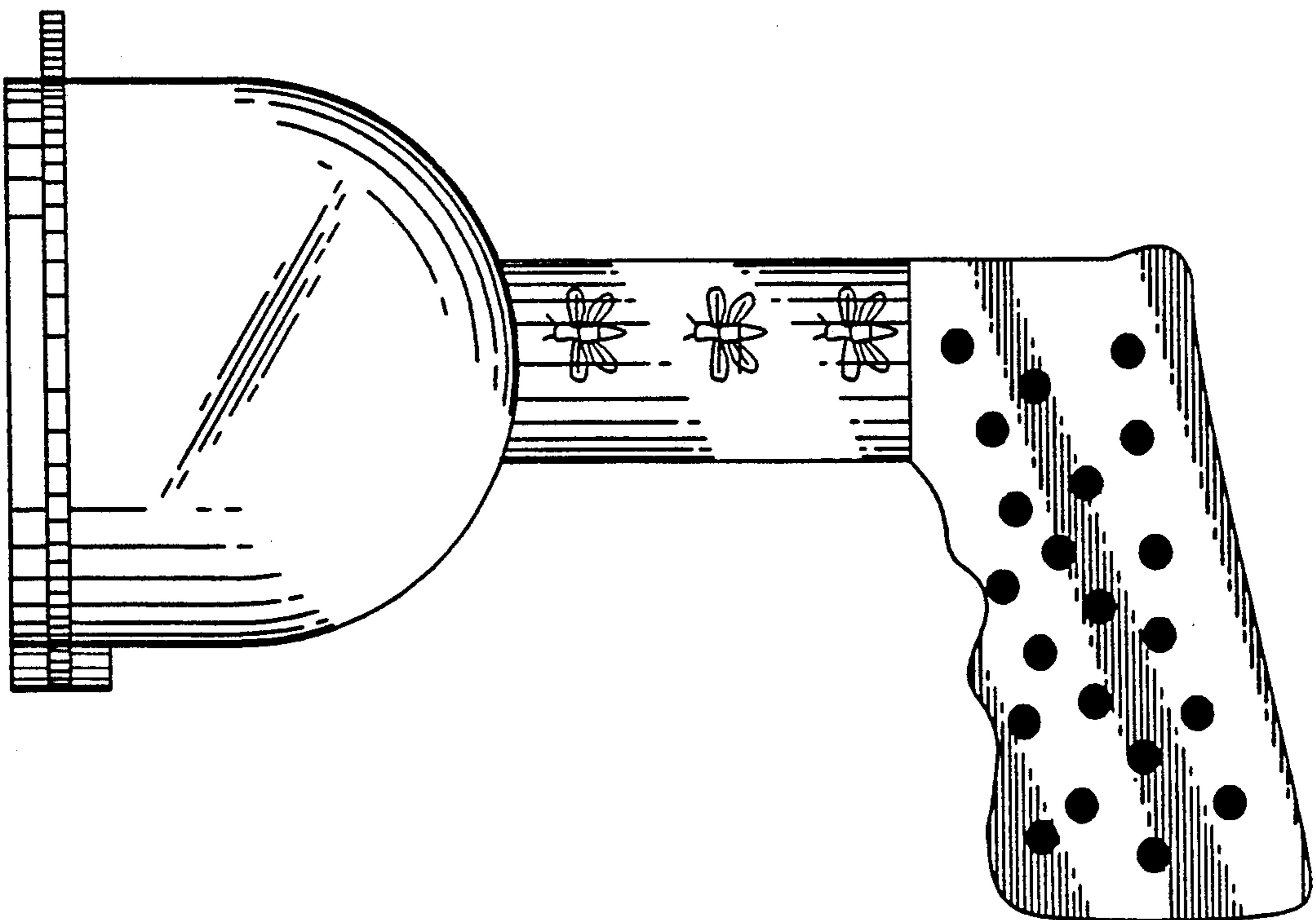


FIG. 6

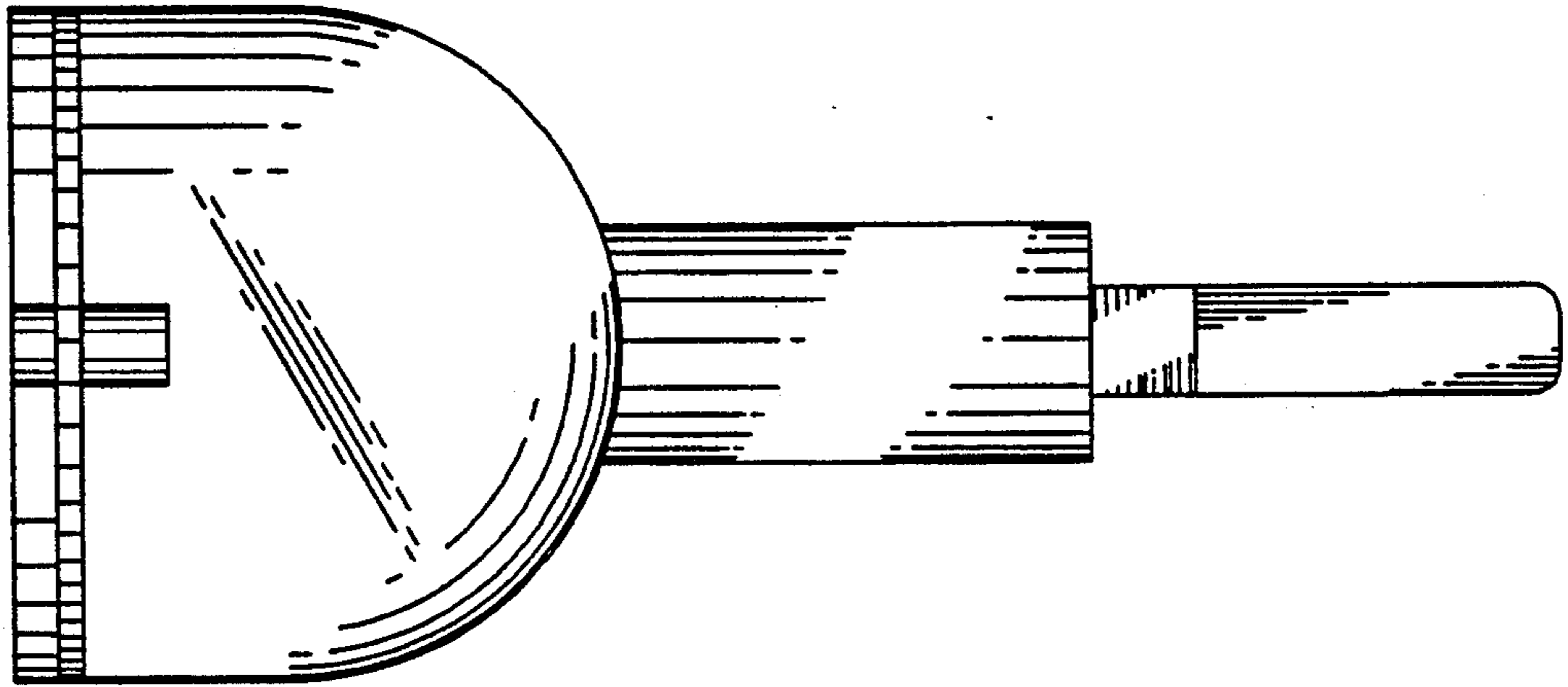


FIG. 5

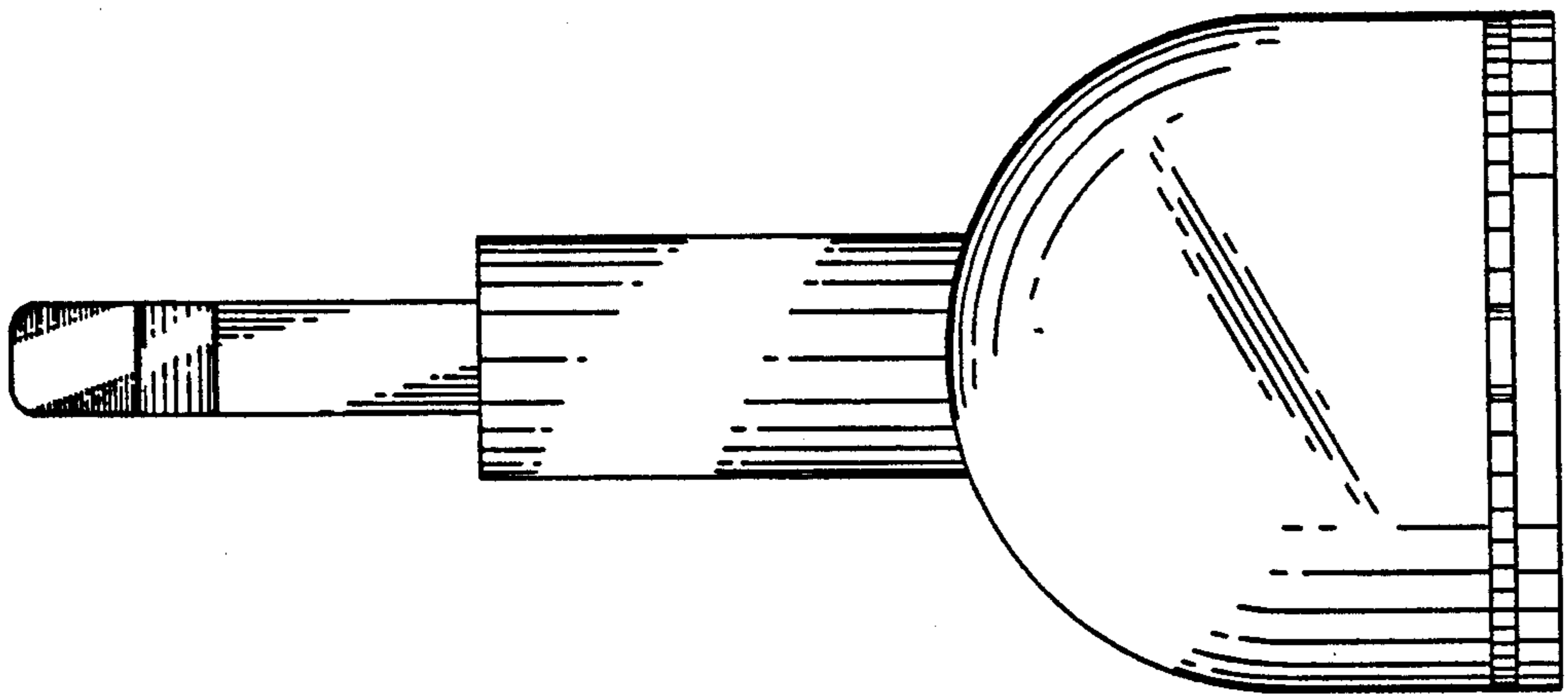


FIG. 7

