



US00D339840S

United States Patent [19]

[11] Patent Number: **Des. 339,840**

Coconate

[45] Date of Patent: **** Sep. 28, 1993**

[54] **AIMING AID FOR A GOLF PUTTER**

[76] Inventor: **Gabriel J. Coconate**, 101 South Lavergne, North Lake, Ill. 60164

[**] Term: **14 Years**

[21] Appl. No.: **664,975**

[22] Filed: **Mar. 5, 1991**

[52] U.S. Cl. **D21/234**

[58] Field of Search **D21/234; 273/187.4, 273/186.2**

[56] **References Cited**

U.S. PATENT DOCUMENTS

3,262,705 7/1966 Nunziato 273/187.4
4,949,971 8/1990 Thornton 273/186.2

OTHER PUBLICATIONS

Golf Digest, Jul., 1965, p. 90, center, "Close up view of Putt-Pointer".

Primary Examiner—Melvin B. Feifer

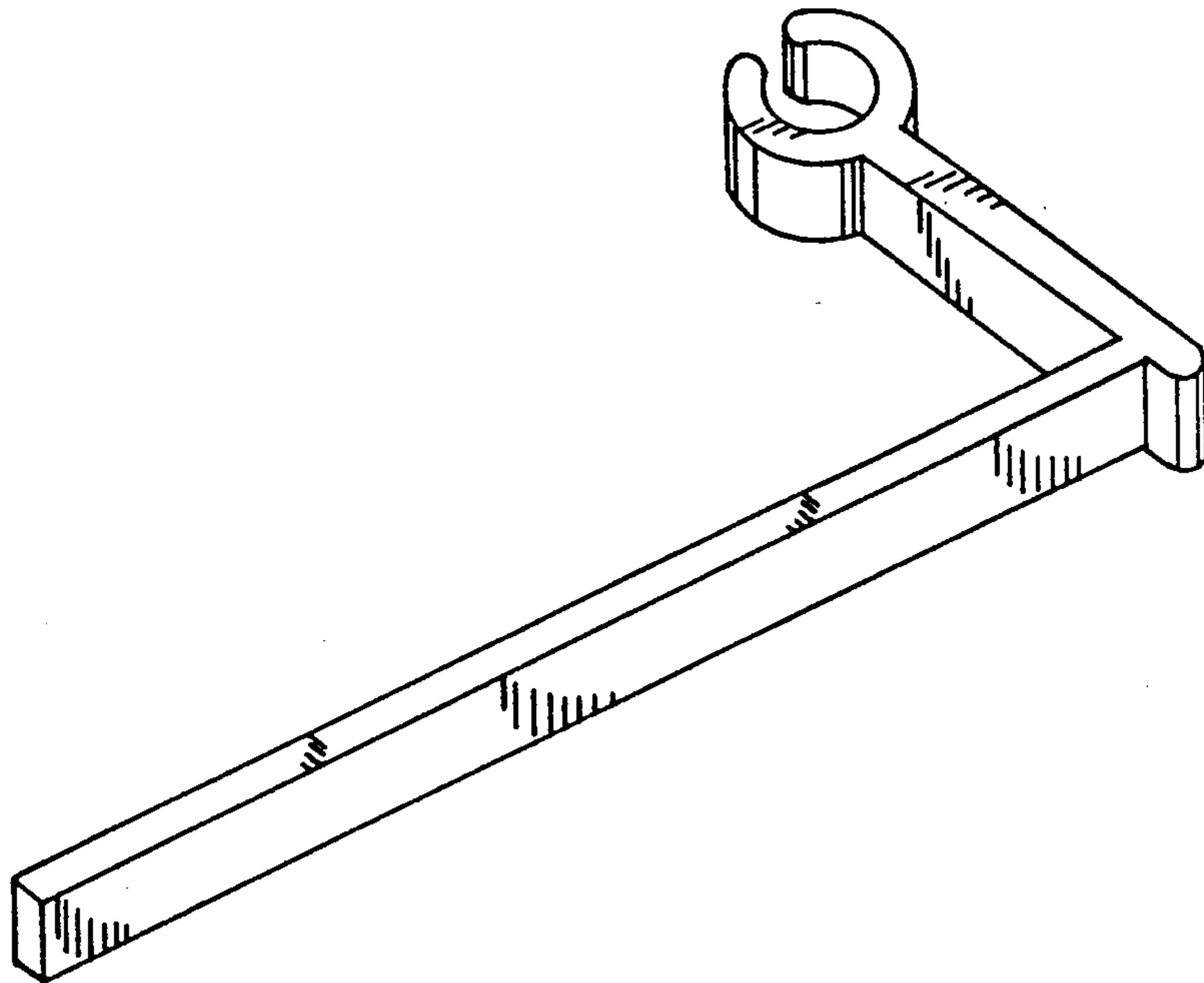
Attorney, Agent, or Firm—Mathew R. P. Perrone, Jr.

[57] **CLAIM**

The ornamental design for an aiming aid for a golf putter, as shown and described.

DESCRIPTION

FIG. 1 is a perspective view of an aiming aid for a golf putter showing my new design as attached to a putter and golf ball shown in phantom perspective; FIG. 2 is a top plan view thereof, the side opposite being a mirror image of the side down; FIG. 3 is a side view thereof based on FIG. 1; FIG. 4 is a side view thereof, the side opposite being FIG. 3; FIG. 5 is an end plan view thereof based on FIG. 1; FIG. 6 is an end plan view thereof, the side opposite being FIG. 5; and, FIG. 7 is a top perspective view of a second modified embodiment. The broken line showing of a putter and golf ball is for illustrative purposes only.



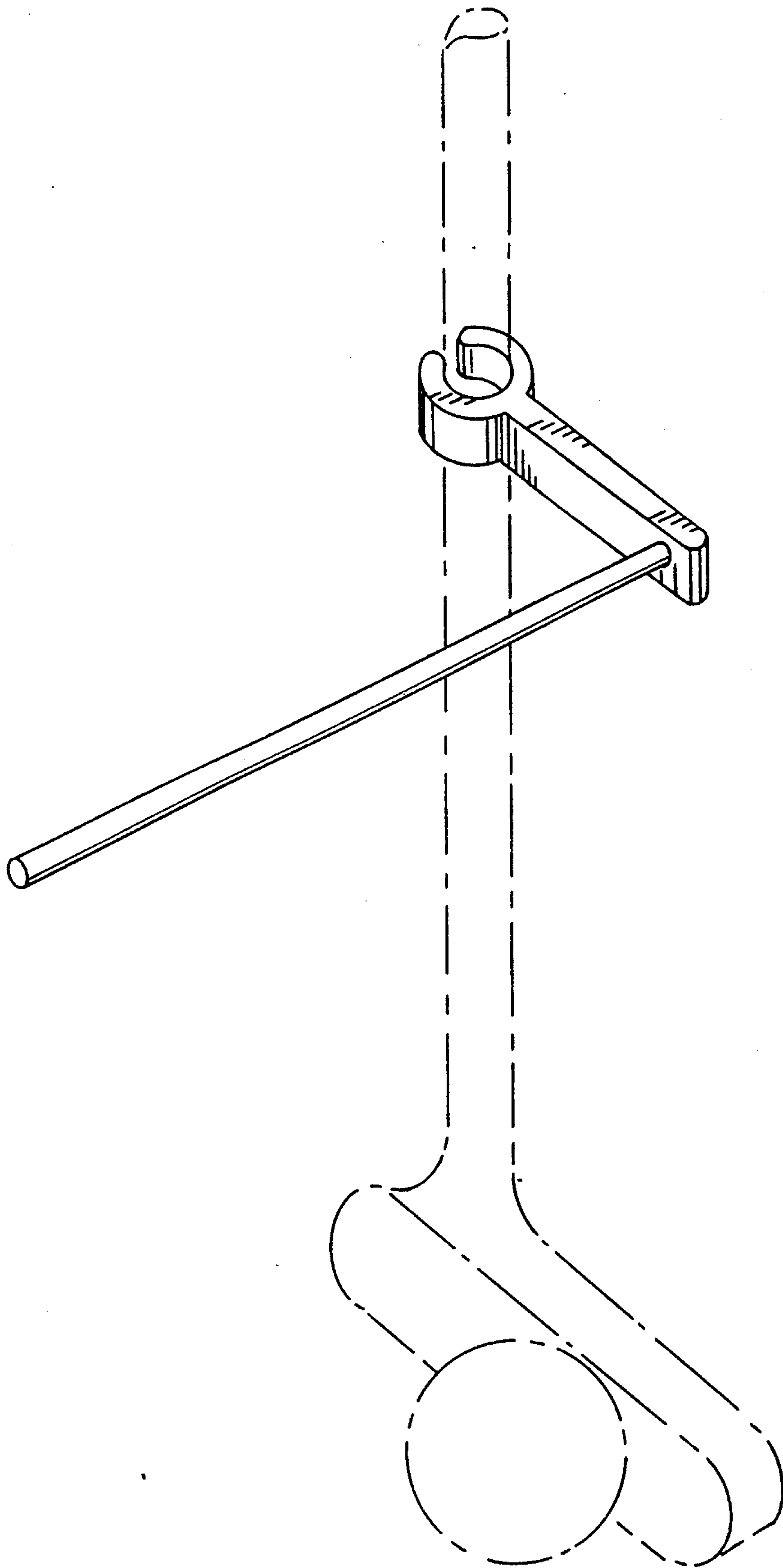


FIG. 1

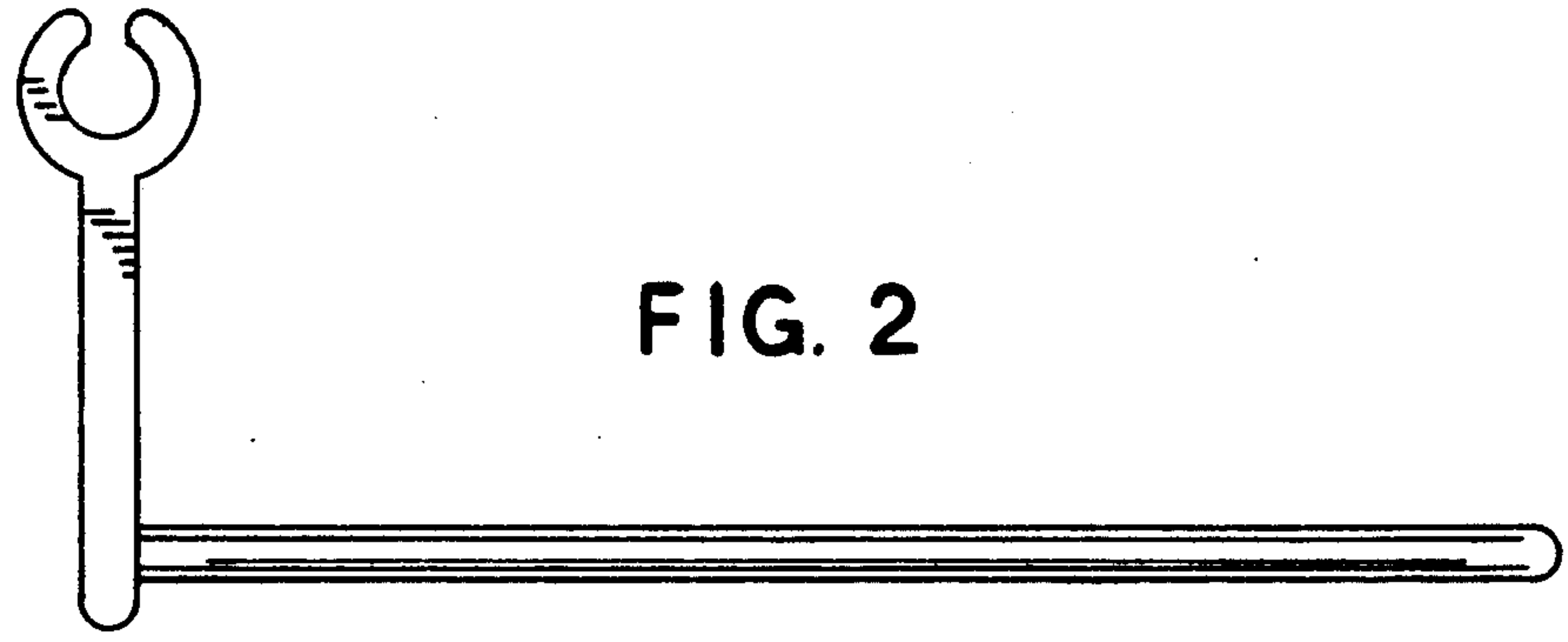


FIG. 2

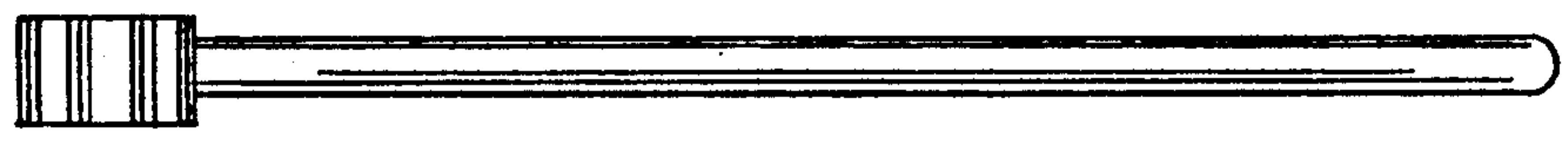


FIG. 3

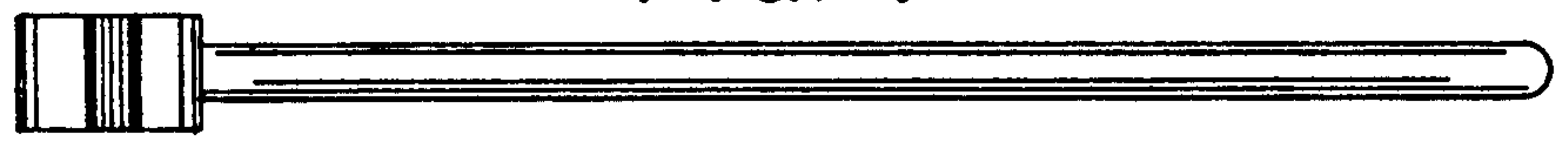


FIG. 4



FIG. 5

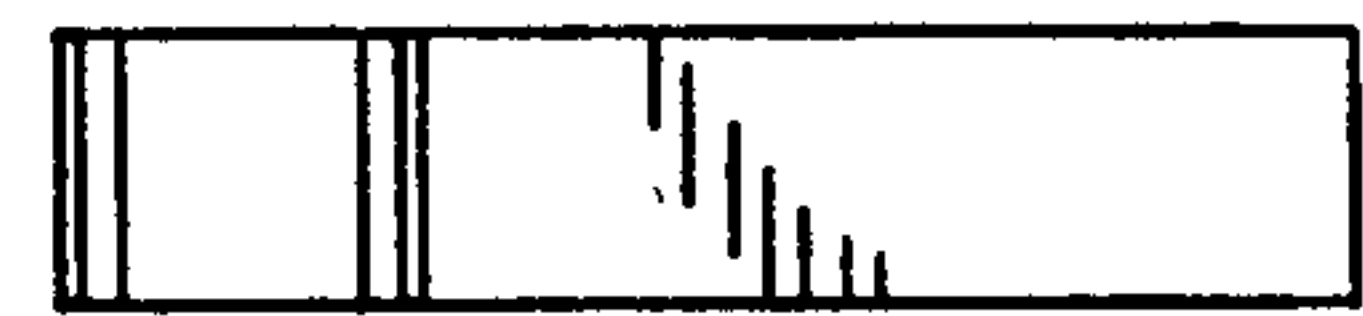


FIG. 6

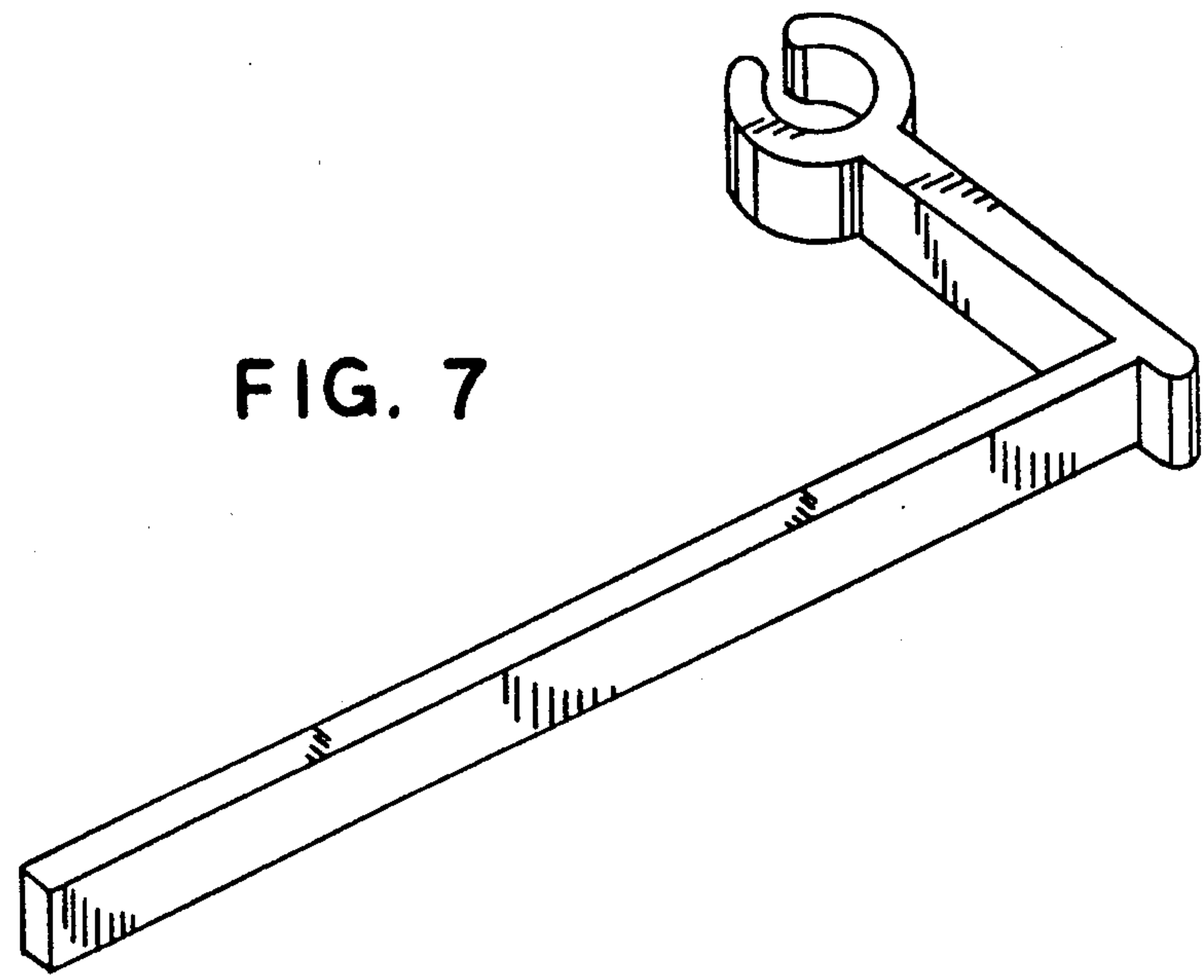


FIG. 7