



US00D339838S

# United States Patent [19]

[11] Patent Number: **Des. 339,838**

Winston

[45] Date of Patent: **\*\* Sep. 28, 1993**

## [54] WRIST WEIGHT

[76] Inventor: **Edith Winston, 135 Hazelwood Dr., Jericho, N.Y. 11753**

[\*\*] Term: **14 Years**

[21] Appl. No.: **597,592**

[22] Filed: **Oct. 15, 1990**

[52] U.S. Cl. .... **D21/196**

[58] Field of Search ..... **D21/191, 196, 197, 198; 482/50, 105; 2/16, 22, 311; D2/630**

## [56] References Cited

### U.S. PATENT DOCUMENTS

D. 195,134	4/1963	Tarbox .....	D21/196
D. 270,652	9/1983	Winston .....	D21/196
D. 278,455	4/1985	Nosek .....	D21/196
D. 297,343	8/1988	Winston .....	D21/196
D. 297,658	9/1988	Winston .....	D21/196
1,729,209	9/1929	Curtice .....	D21/196
4,384,714	5/1983	Kimura .....	482/105
4,838,546	6/1989	Winston .....	482/105
4,951,940	8/1990	Vitello .....	482/105
4,966,365	10/1990	Winston .....	482/105

## OTHER PUBLICATIONS

Physical Fitness Publication, 1972, 11A14, Weighted Ankle & Wrist Bands.

*Primary Examiner*—Bernard Ansher

*Assistant Examiner*—P. Hyder

## [57] CLAIM

The ornamental design for a wrist weight, as shown and described.

## DESCRIPTION

FIG. 1 is a perspective view of a wrist weight showing my new design;

FIG. 2 is an elevational view thereof, shown in an alternative position;

FIG. 3 is a top plan view of FIG. 1;

FIG. 4 is a front elevational view of FIG. 1;

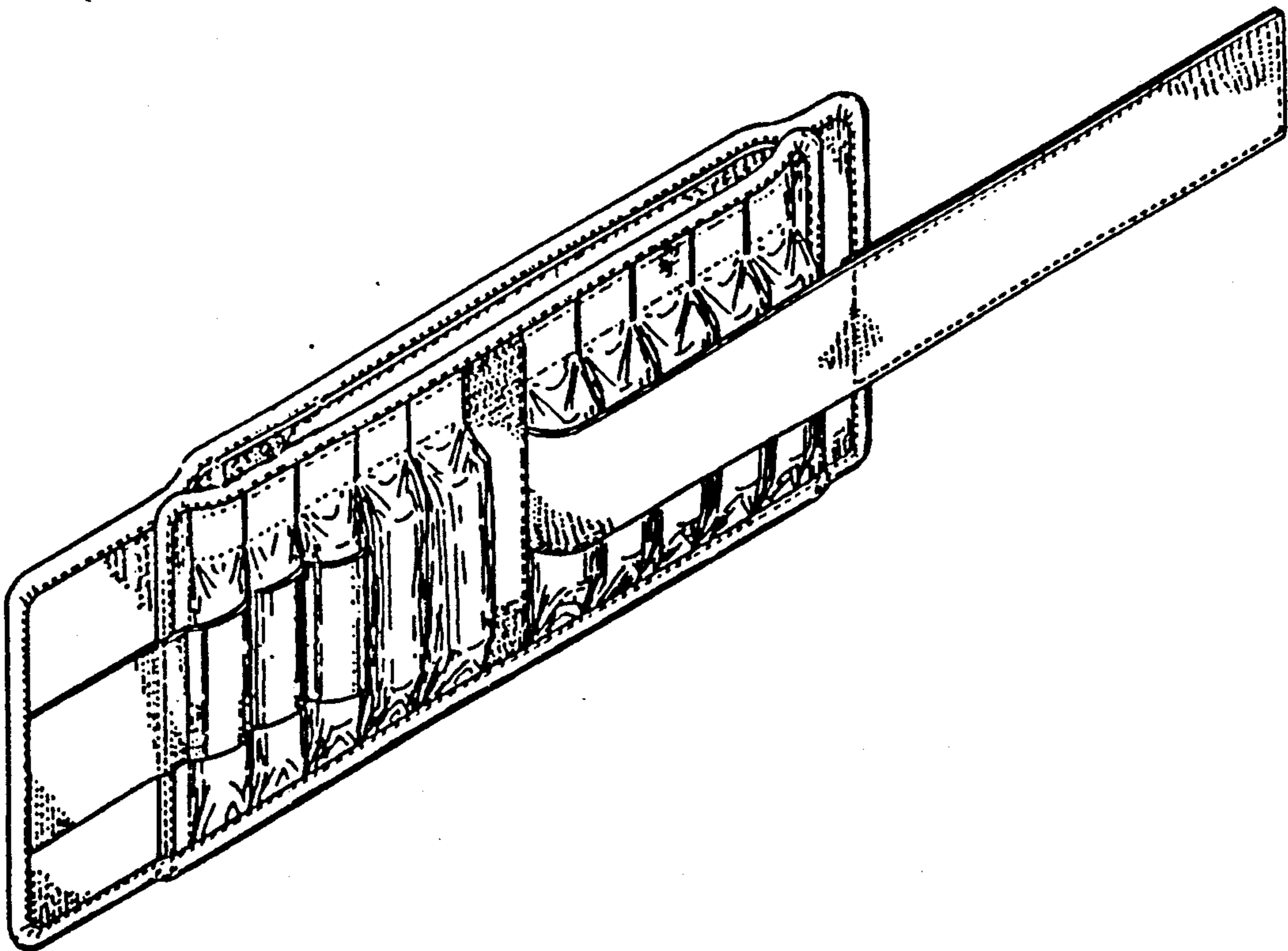
FIG. 5 is a rear elevational view of FIG. 1;

FIG. 6 is a bottom plan view of FIG. 1;

FIG. 7 is a left side elevational view of FIG. 4; and,

FIG. 8 is a right side elevational view of FIG. 5.

The broken line showing of the hand in FIG. 2 is for illustrative purposes only and forms no part of the claimed design.



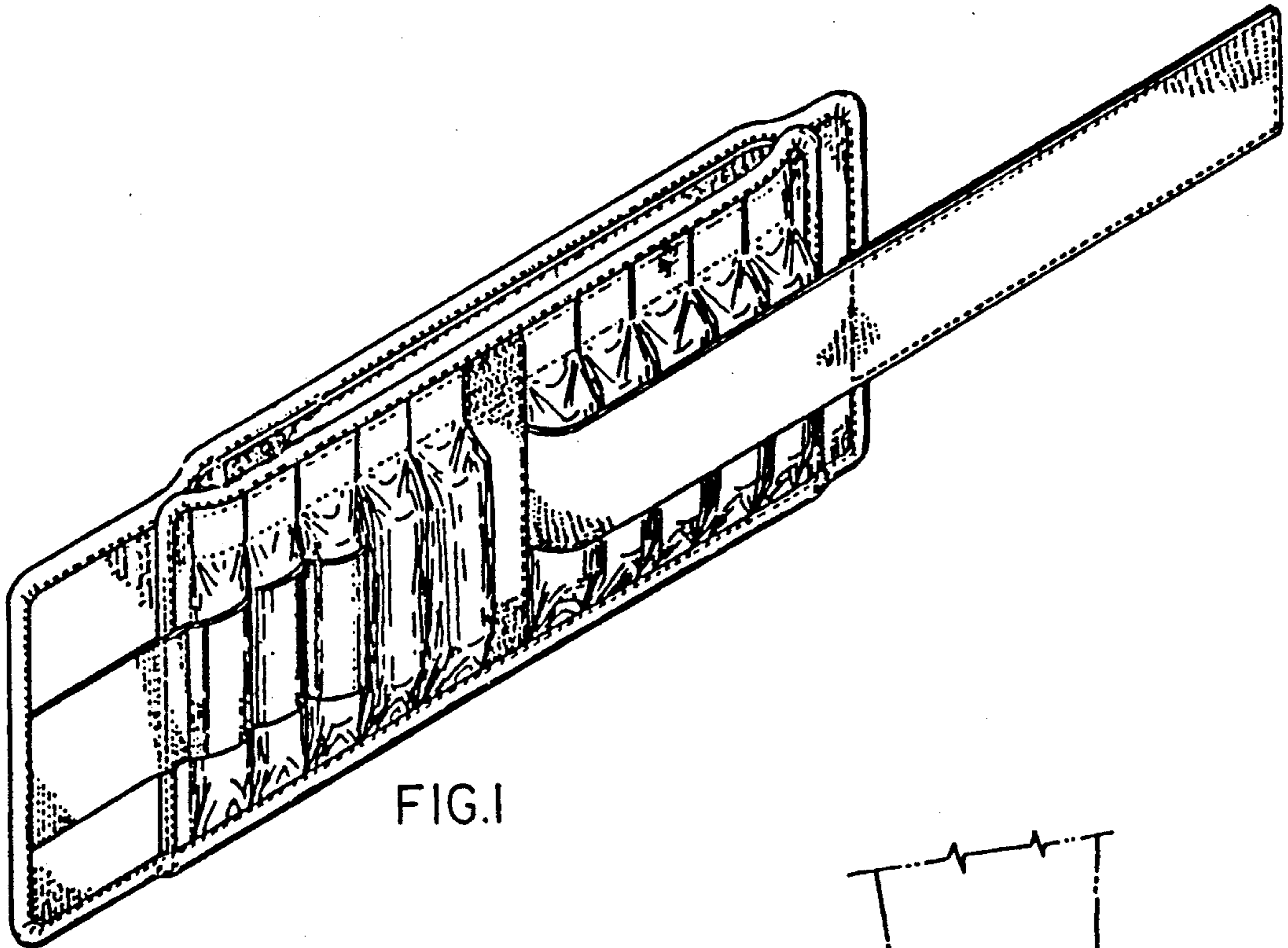


FIG. 1



FIG. 7



FIG. 8

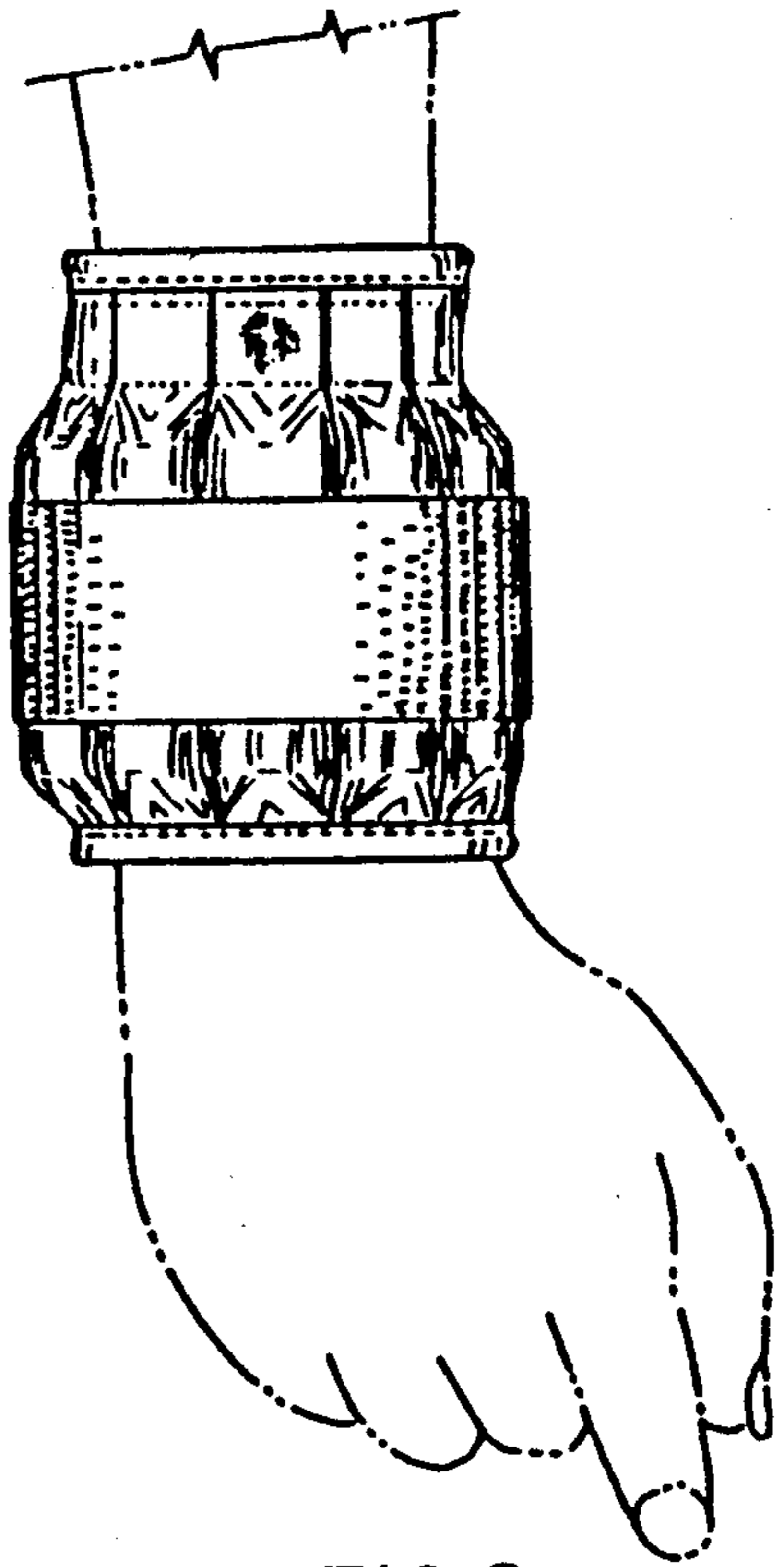


FIG. 2



FIG. 3

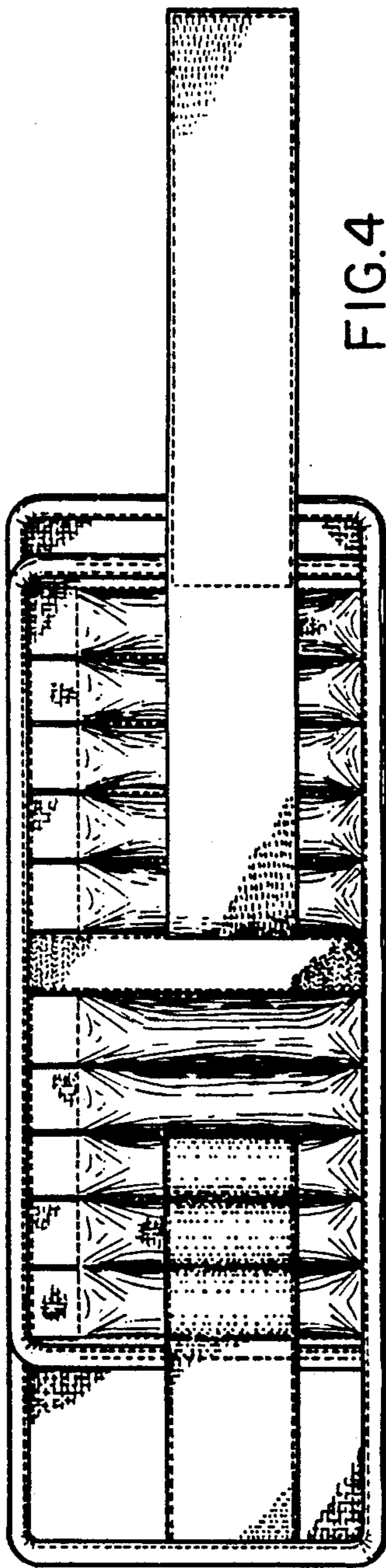


FIG. 4

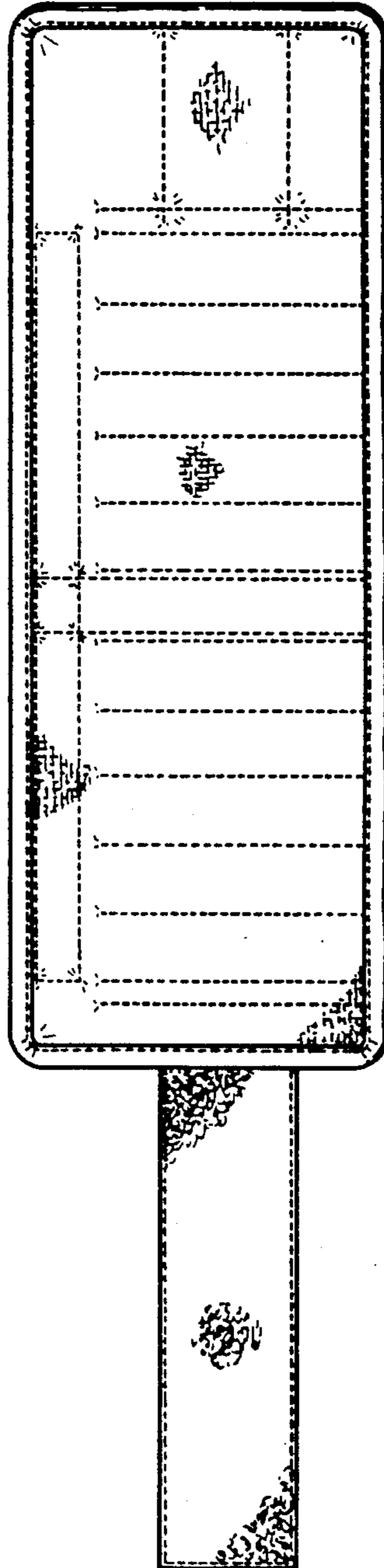


FIG. 5



FIG. 6