



US00D339835S

United States Patent [19]

[11] Patent Number: **Des. 339,835**

Hsieh

[45] Date of Patent: **** Sep. 28, 1993**

[54] **PHYSICAL EXERCISE STAND**

[75] Inventor: **Yi F. Hsieh, Succasunna, N.J.**

[73] Assignee: **LifeGear, Inc., Rockaway, N.J.**

[**] Term: **14 Years**

[21] Appl. No.: **834,512**

[22] Filed: **Feb. 12, 1992**

[52] U.S. Cl. **D21/191**

[58] Field of Search **D21/191; 482/121, 142, 482/141, 95, 96**

D. 320,823	10/1991	Tanner	D21/191
4,494,750	1/1985	Smith	272/93
4,620,701	10/1986	Mojden	482/142
4,720,100	1/1988	Dy Buy	482/121
4,789,152	12/1988	Guerra	482/142
4,838,250	6/1989	Angelo	482/142

Primary Examiner—Bernard Ansher
Assistant Examiner—Philip Hyder
Attorney, Agent, or Firm—David L. Davis

[57] **CLAIM**

The ornamental design for a physical exercise stand, as shown and described.

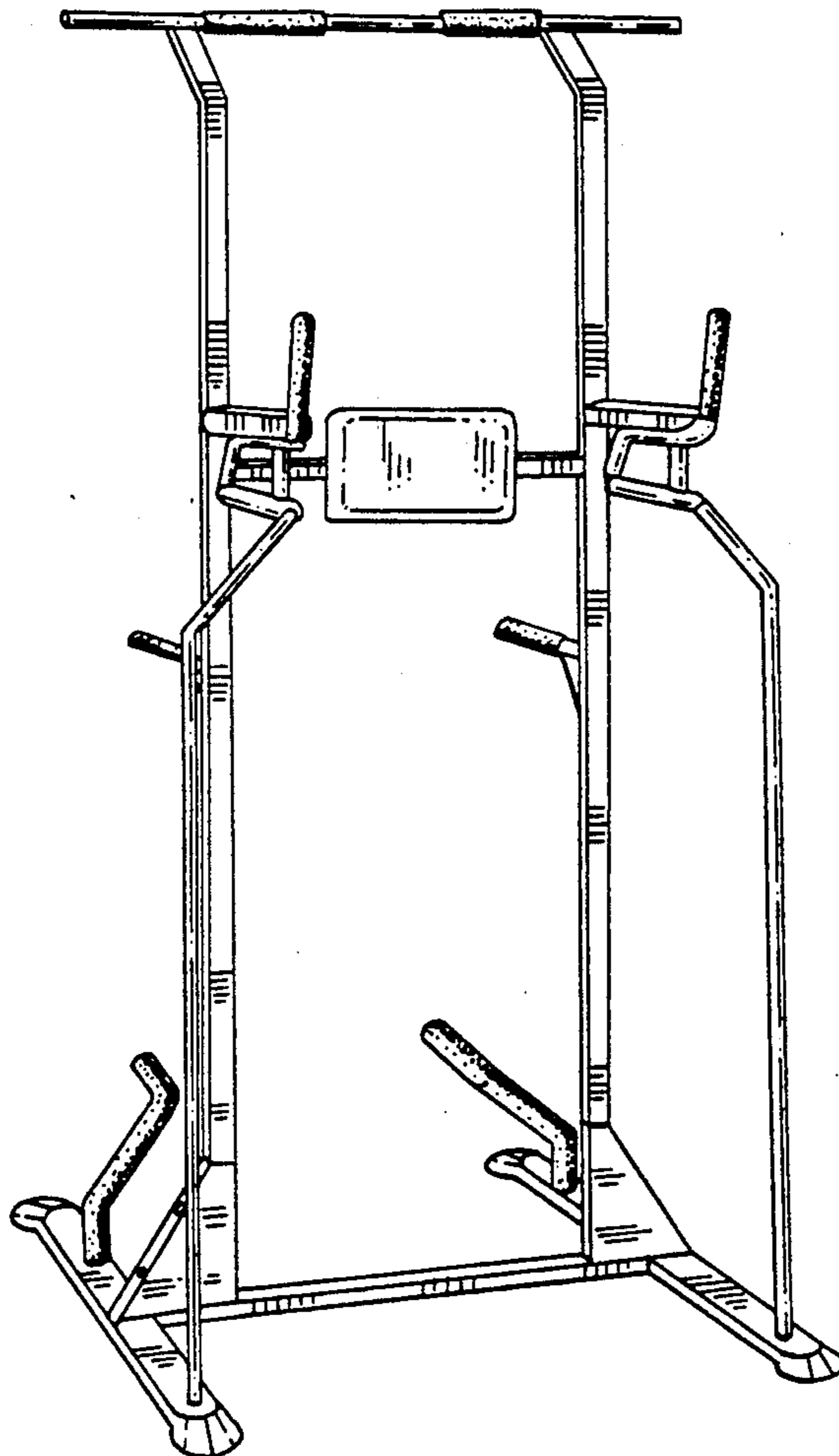
[56] **References Cited**

U.S. PATENT DOCUMENTS

D. 258,975	4/1981	Irvine	D21/191
D. 265,575	7/1982	Lunford	D21/191
D. 267,419	12/1982	Komarnicki	D21/191
D. 277,400	1/1985	Inoue	D21/191
D. 280,652	9/1985	de Buck	D21/191
D. 280,842	10/1985	Miller	D21/191
D. 300,157	3/1989	Yates	D21/191
D. 314,025	1/1991	Shimer	D21/191

DESCRIPTION

FIG. 1 is a top, front and left side perspective view of a physical exercise stand showing my new design; FIG. 2 is a top, rear and right side perspective view thereof; FIG. 3 is a front elevational view thereof; FIG. 4 is a rear elevational view thereof; FIG. 5 is a left side elevational view thereof, the right side elevational view being a mirror image; and, FIG. 6 is a top plan view thereof.



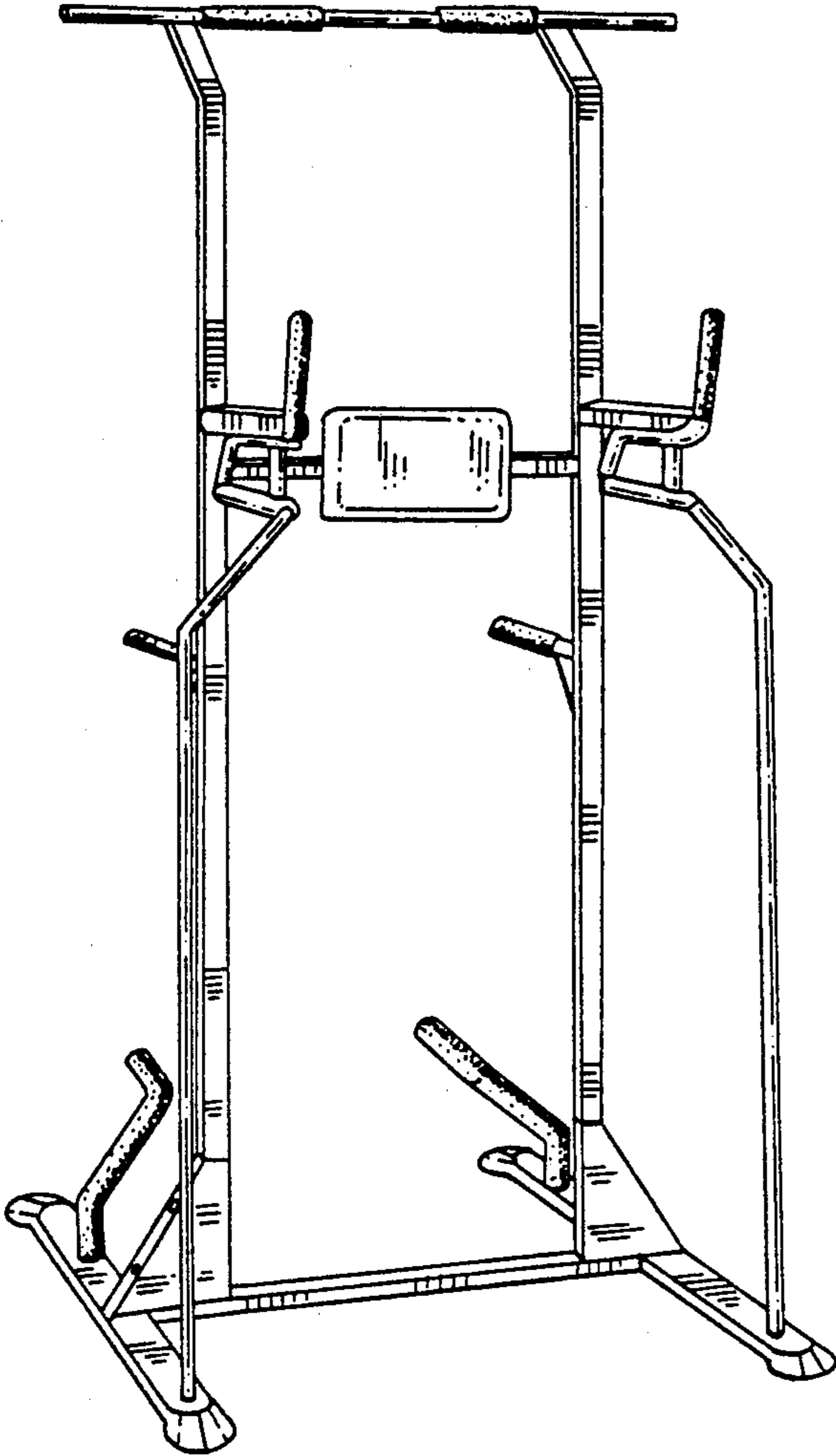


FIG. 1

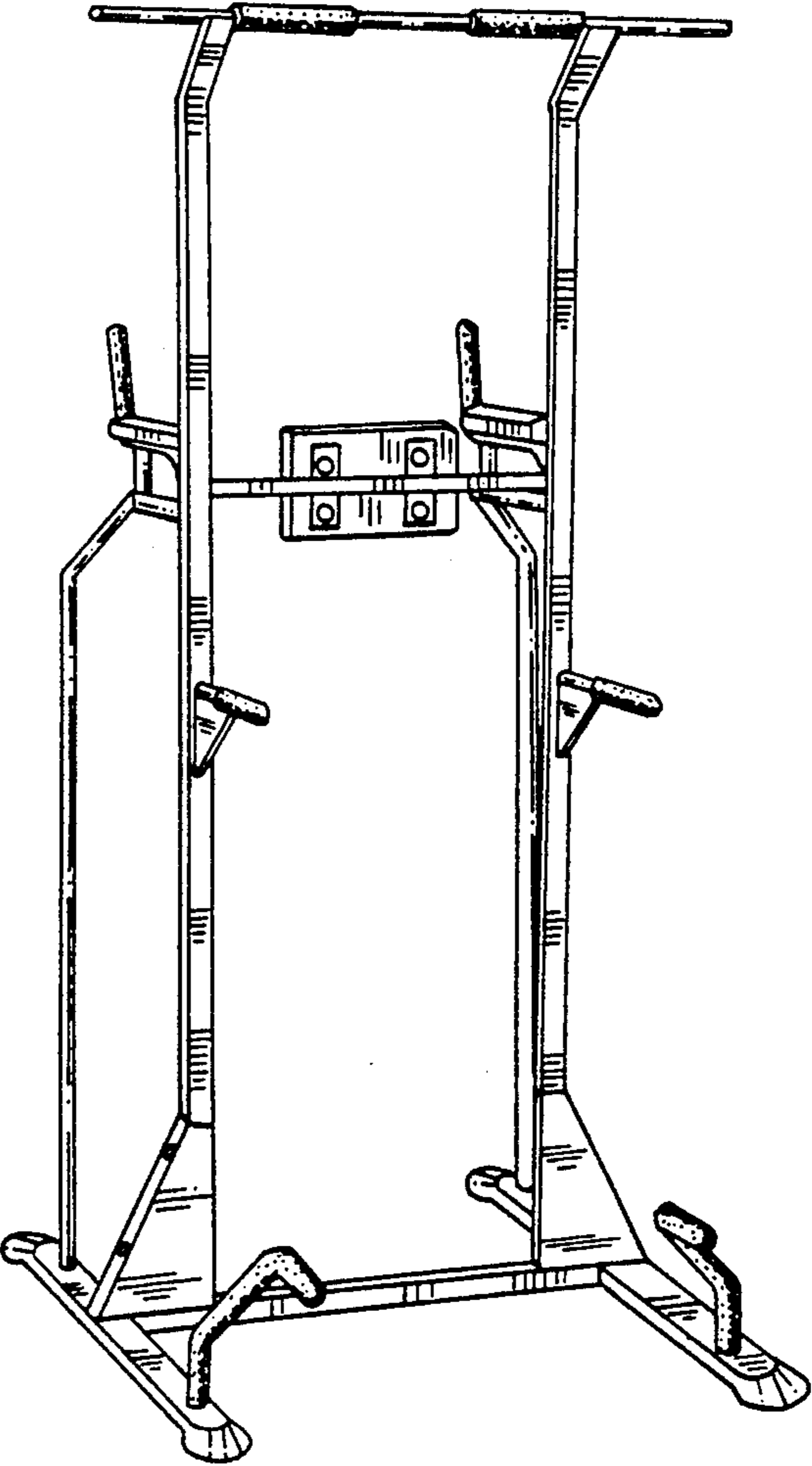


FIG. 2

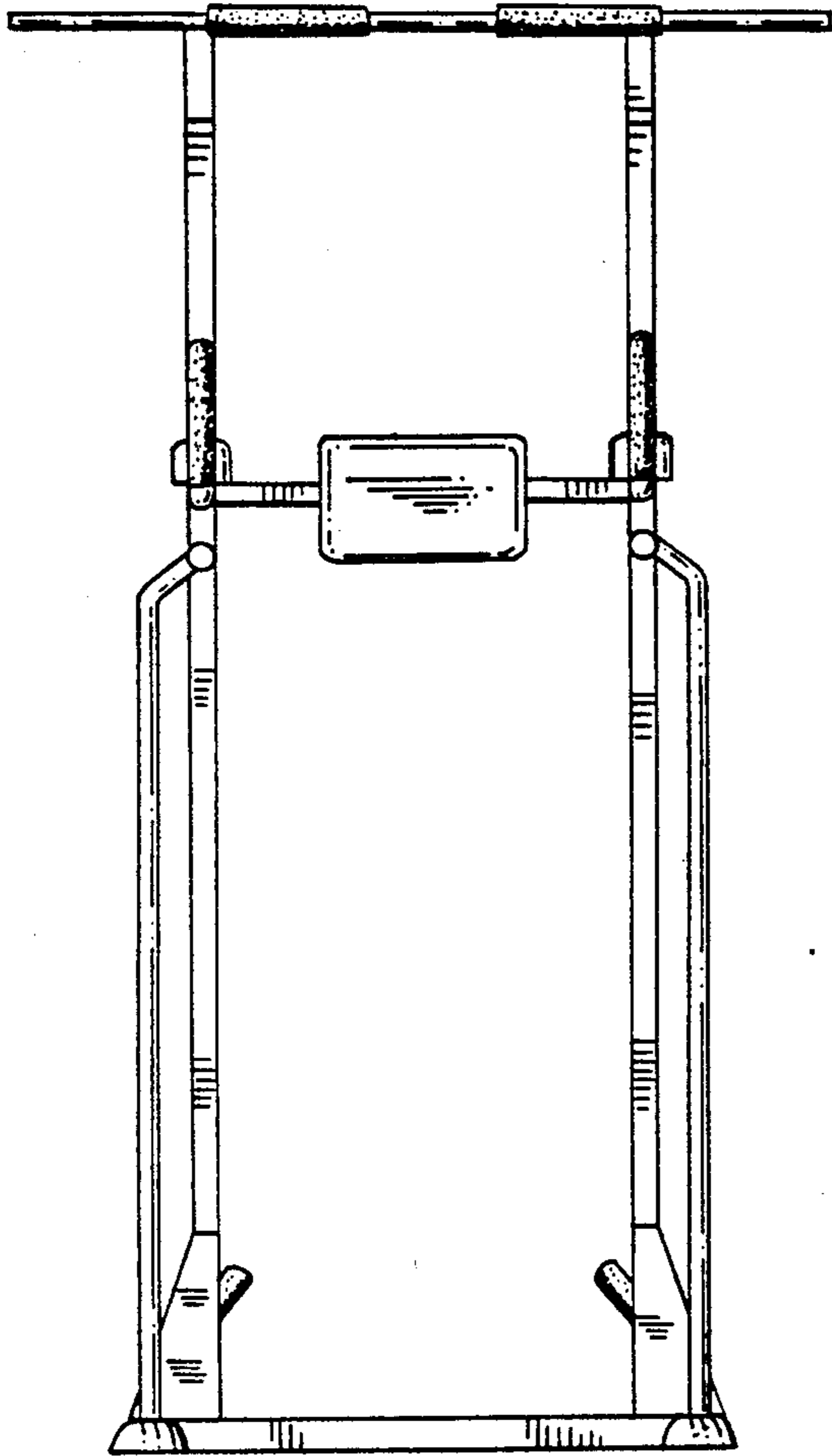


FIG. 3

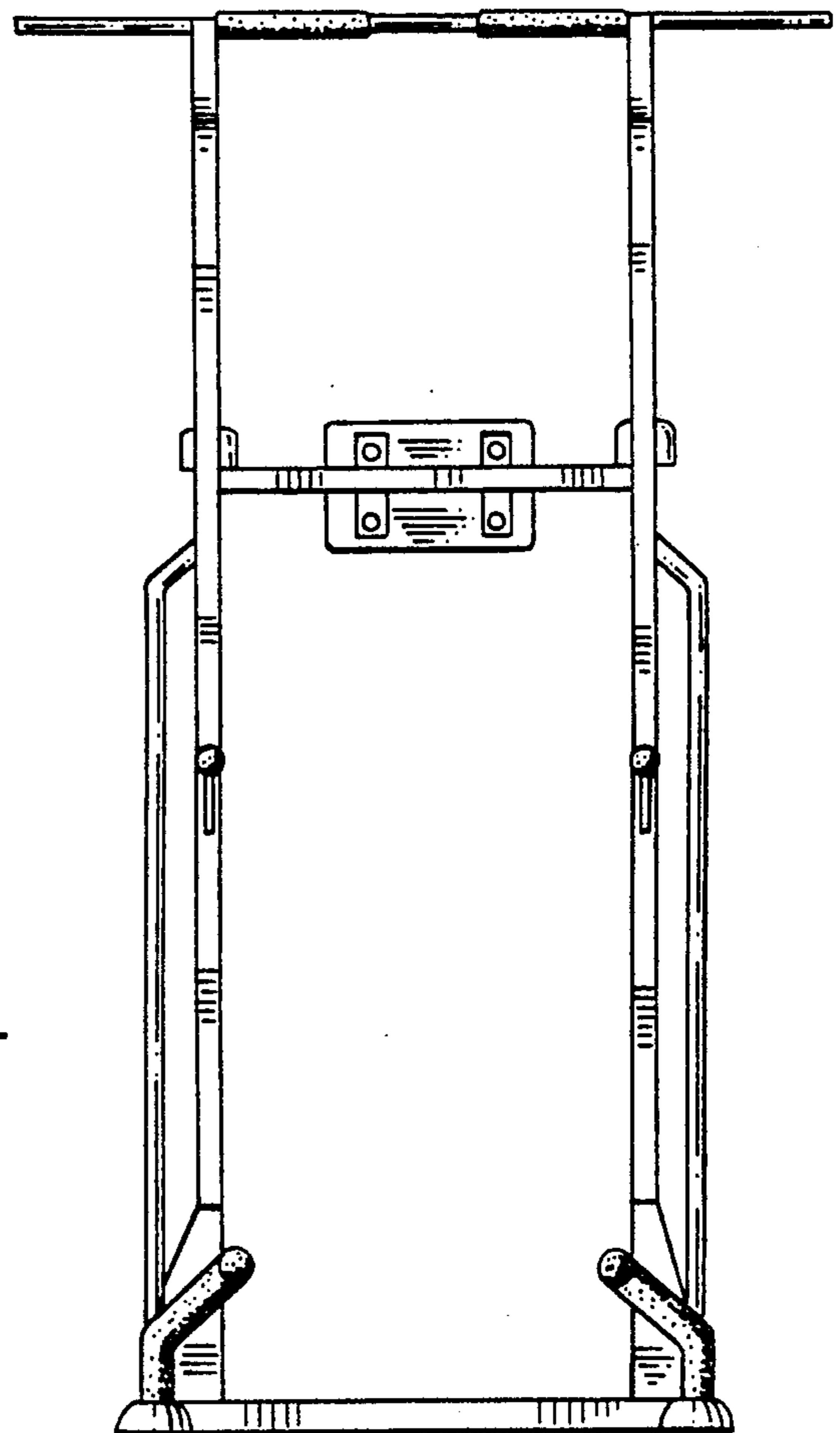


FIG. 4

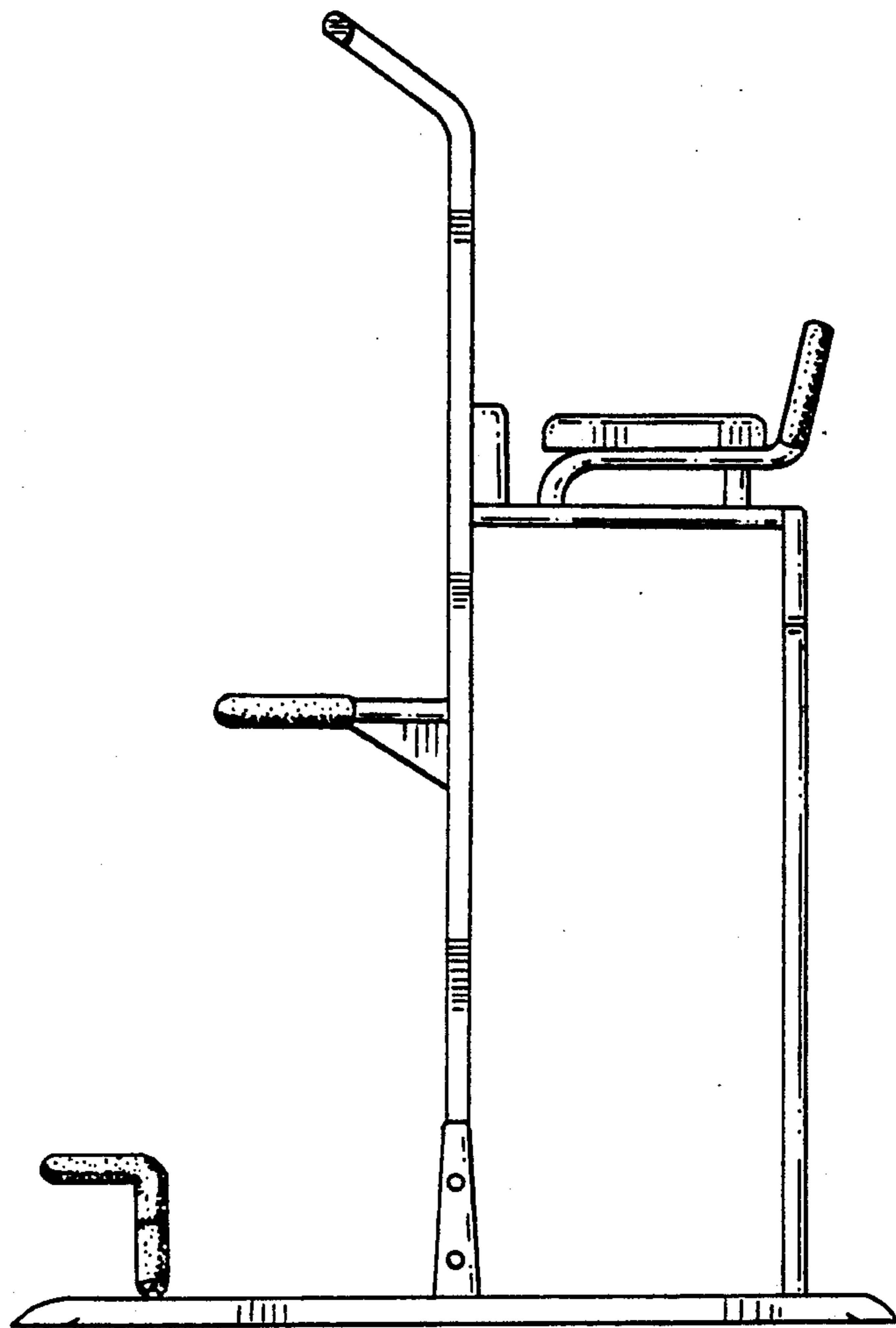


FIG. 5

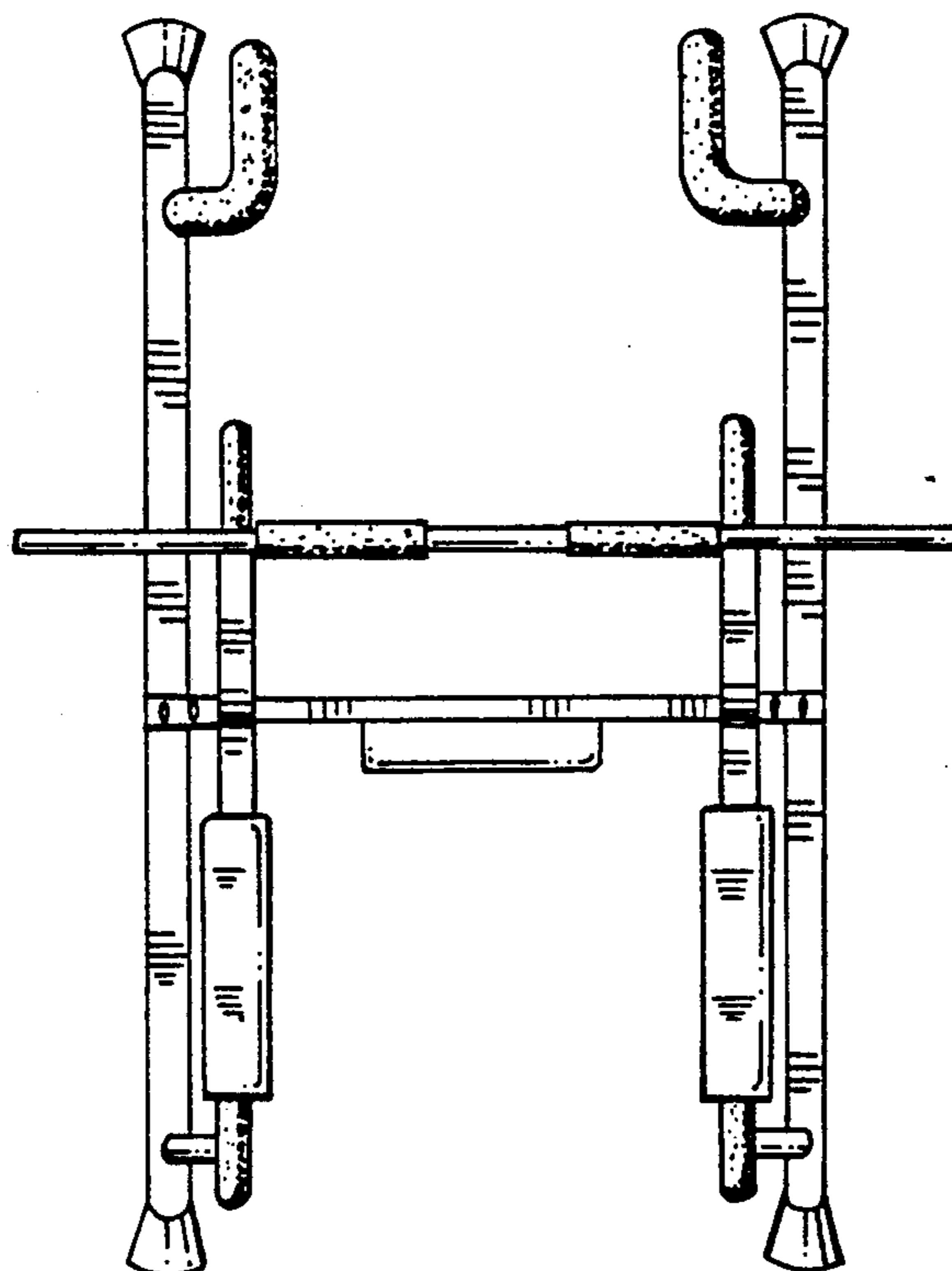


FIG. 6