



US00D339831S

United States Patent [19]

[11] Patent Number: **Des. 339,831**

Adell

[45] Date of Patent: **** Sep. 28, 1993**

[54] COMBINED COASTER AND LOTTERY PICKER

[76] Inventor: **Robert Adell**, 31800 S. Brandingham, Franklin, Mich. 48025

[**] Term: **14 Years**

[21] Appl. No.: **5,580**

[22] Filed: **Mar. 5, 1993**

[52] U.S. Cl. **D21/37; D7/624**

[58] Field of Search **D7/624-625; D21/37, 39, 17, 20; 215/100.5; 248/346.1; 273/138 R, 138 A, 144 B, 145 C, 145 CA**

[56] References Cited

U.S. PATENT DOCUMENTS

4,858,873 8/1989 Wilmoth et al. 248/346.1
5,000,413 3/1991 Kawashima 248/346.1

FOREIGN PATENT DOCUMENTS

2255926 5/1974 Fed. Rep. of Germany ... 273/144 B
2553153 7/1976 Fed. Rep. of Germany ... 273/144 B

Primary Examiner—Wallace A. Pfeffer
Attorney, Agent, or Firm—Alex Rhodes

[57] CLAIM

The ornamental design for a combined coaster and lottery picker, as shown and described.

DESCRIPTION

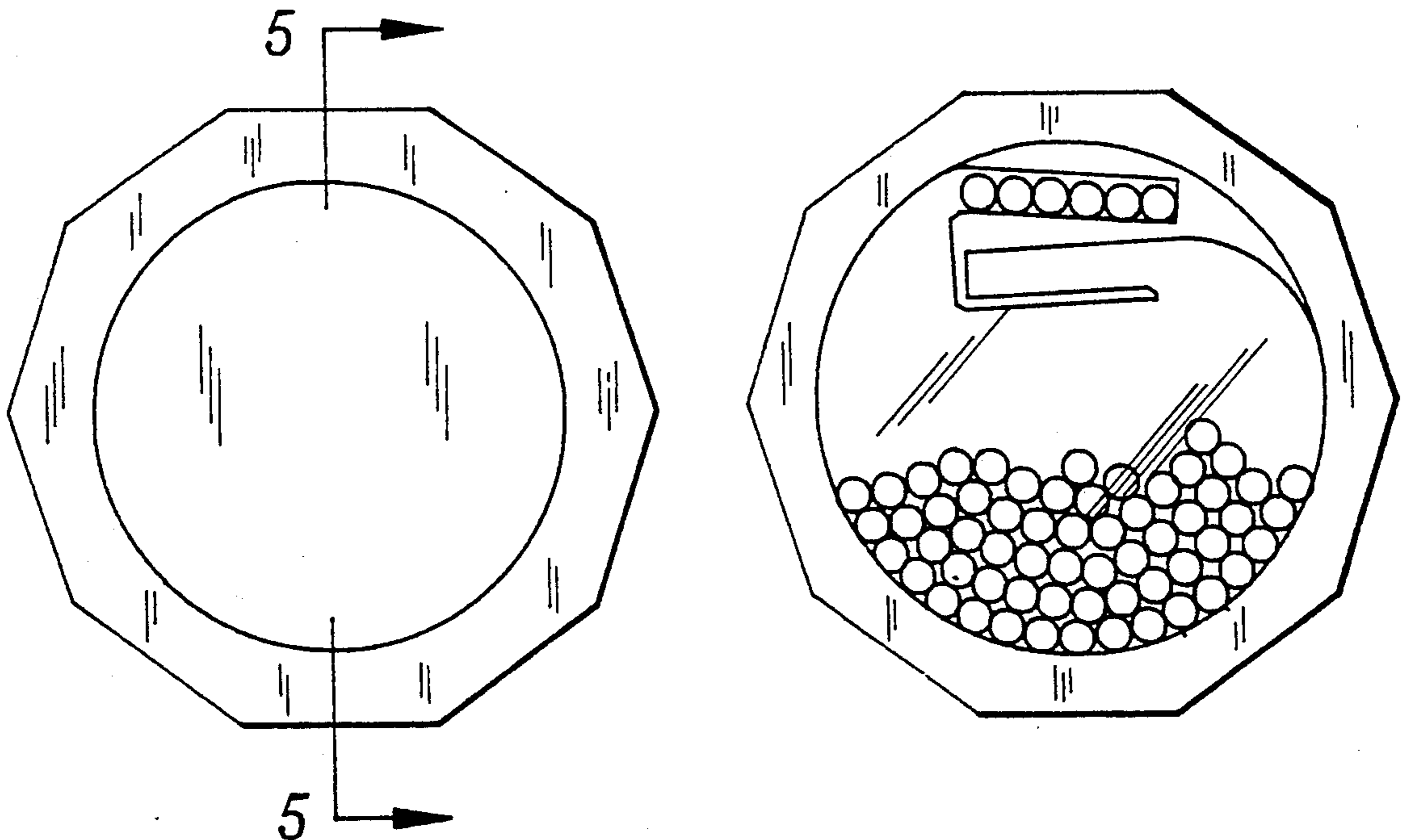
FIG. 1 is a perspective view showing the top and front of a combined coaster and lottery picker, showing my new design;

FIG. 2 is a top plan view thereof;

FIG. 3 is a right side view, the left side view being symmetrically opposite the right side view;

FIG. 4 is a bottom plan view thereof; and,

FIG. 5 is a cross sectional view taken on the line 5—5 of FIG. 2.



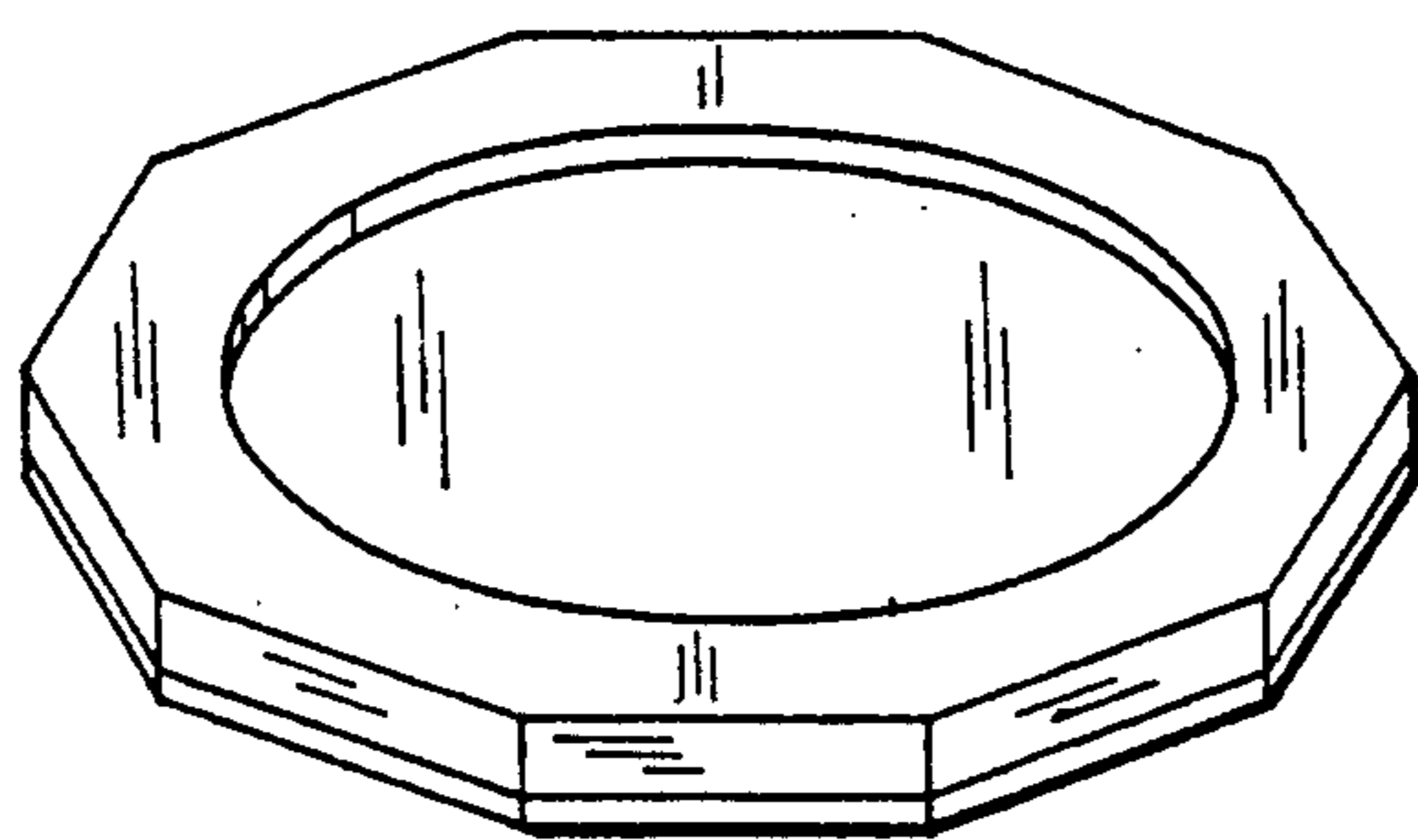


FIG. 1



FIG. 3

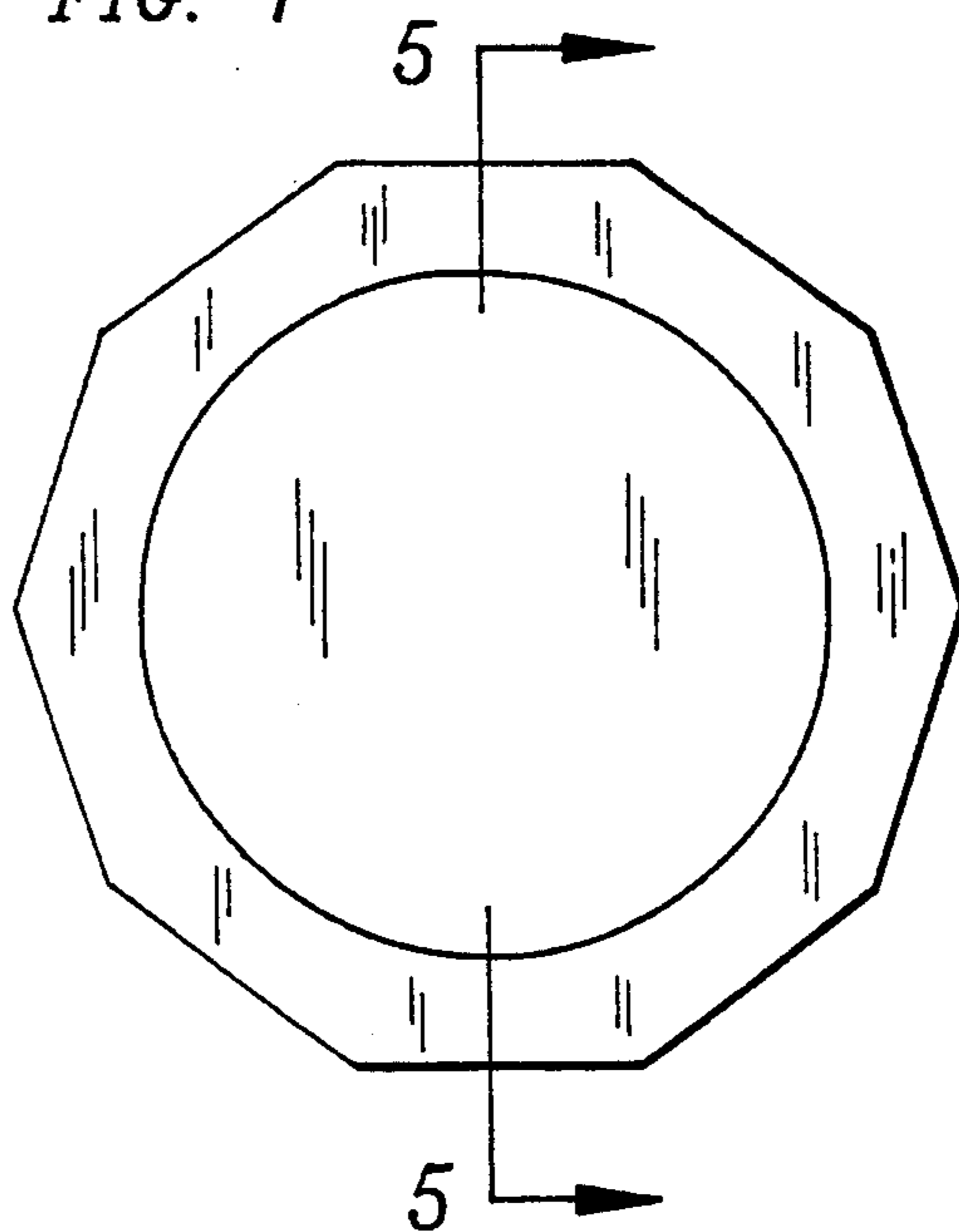


FIG. 2



FIG. 5

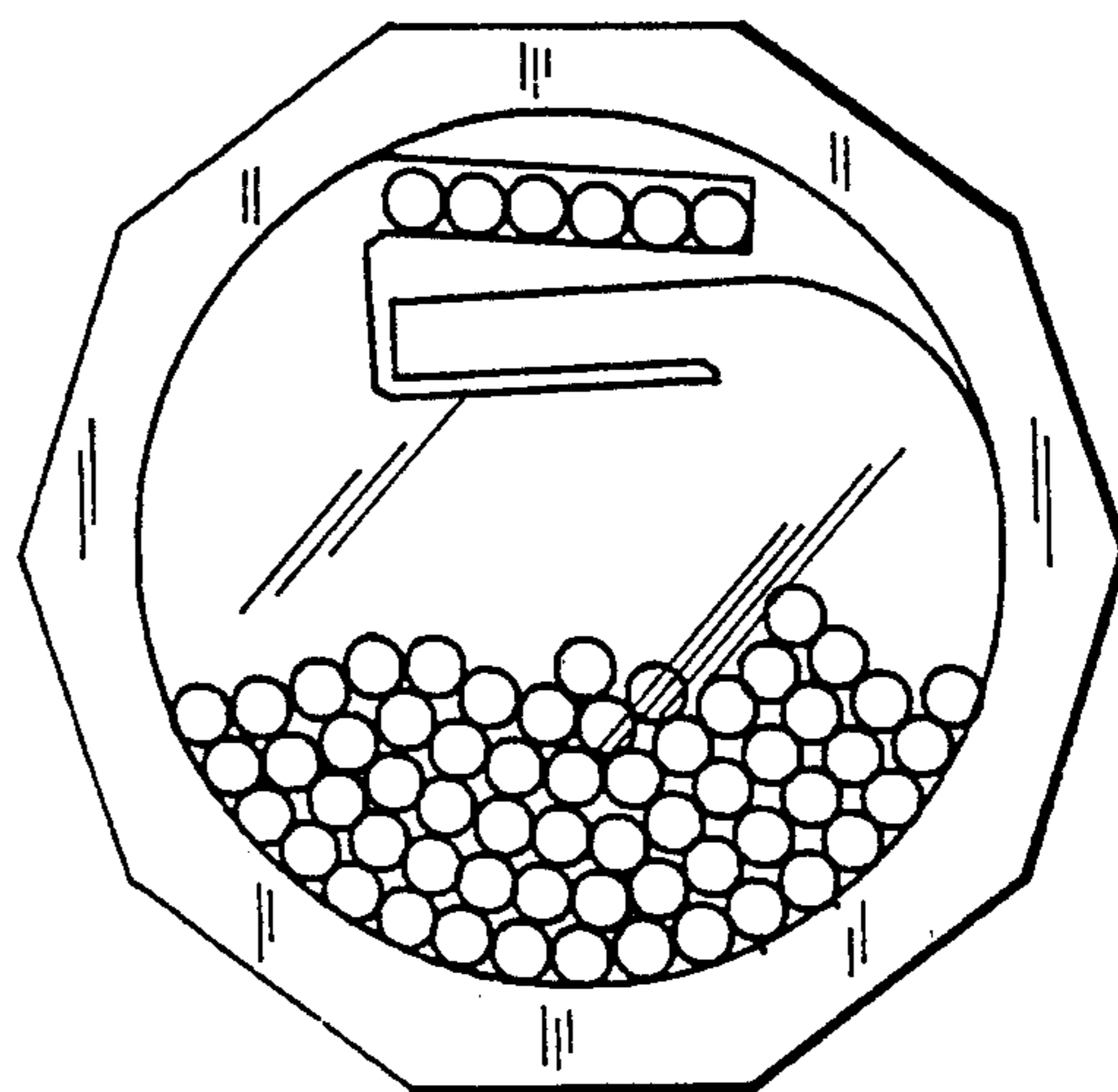


FIG. 4