



US00D339826S

# United States Patent [19]

[11] Patent Number: **Des. 339,826**

Alling et al.

[45] Date of Patent: **\*\* Sep. 28, 1993**

## [54] ROTATING DART GAME

### FOREIGN PATENT DOCUMENTS

[76] Inventors: **Byron T. Alling**, Box 110 B Piseco Rd., Stratford, N.Y. 13470; **Wayne B. Horender**, R.D. #3 Box 258E, Little Falls, N.Y. 13365; **Michael A. Dedicke**, R. D. #1 Box 63, Newport, N.Y. 13416

0108245 8/1939 Australia ..... 273/282.1

### OTHER PUBLICATIONS

Playthings Mar. 1963 p. 465 "Wall Cabinet Dart Game", center.

W. Bell & Co., 1990, 1991 International Collection p. 133 "Pub Dart Set" center.

[\*\*] Term: **14 Years**

*Primary Examiner*—Bernard Ansher  
*Assistant Examiner*—Sandra Morris  
*Attorney, Agent, or Firm*—Leon Gilden

[21] Appl. No.: **685,501**

[22] Filed: **Apr. 15, 1991**

### [57] CLAIM

[52] U.S. Cl. .... **D21/6**

The ornamental design for a rotating dart game, as shown and described.

[58] Field of Search ..... D21/5, 6, 14-36; 273/236-285, 347, 348, 408; D6/552, 559, 561

### DESCRIPTION

### [56] References Cited

#### U.S. PATENT DOCUMENTS

D. 186,078	9/1959	Frisk	.....	D21/22
D. 196,243	9/1963	Wells et al.	.....	D21/16
D. 253,863	1/1980	Kurtz	.....	D21/6
D. 291,098	7/1987	O'Connor	.....	D21/6
2,060,405	11/1936	Widmeier	.....	D21/6
4,948,148	8/1990	Danielson	.....	273/408

FIG. 1 is a front elevational view of the rotating dart game showing our new design;

FIG. 2 is a rear elevational view thereof;

FIG. 3 is a left side elevational view thereof;

FIG. 4 is a right side elevational view thereof;

FIG. 5 is a top plan view thereof;

FIG. 6 is a bottom plan view thereof; and,

FIG. 7 is a perspective view thereof.

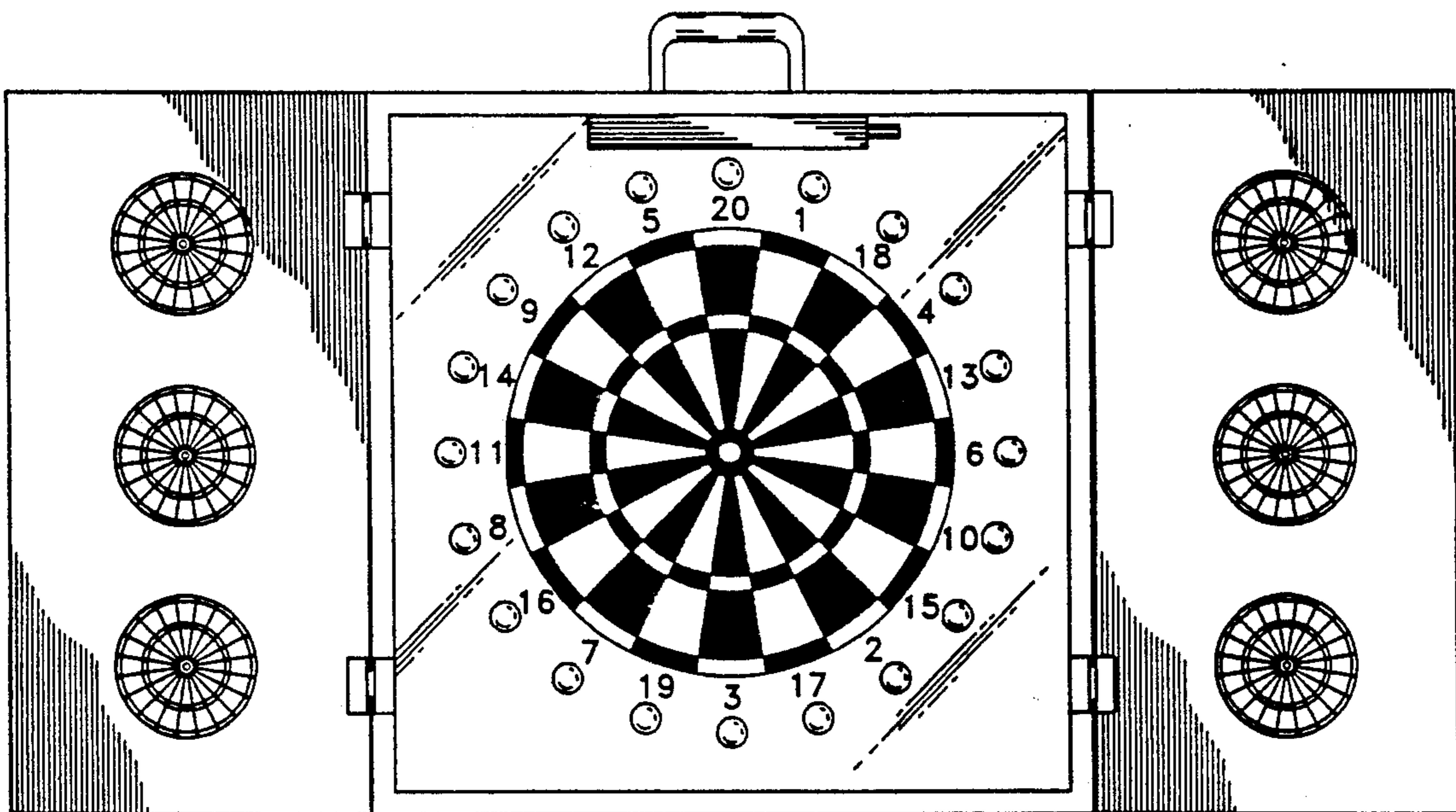


FIG. 1

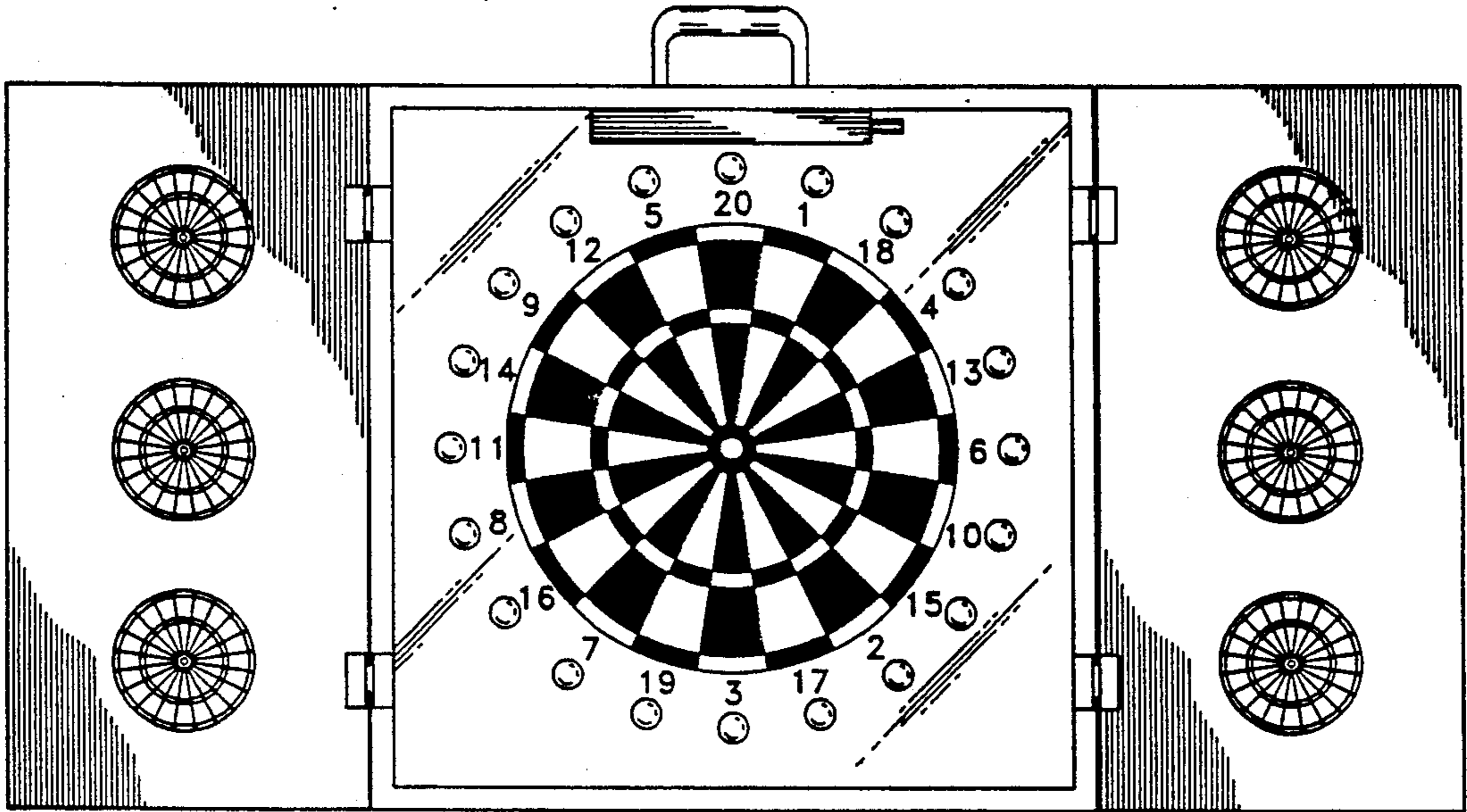


FIG. 2

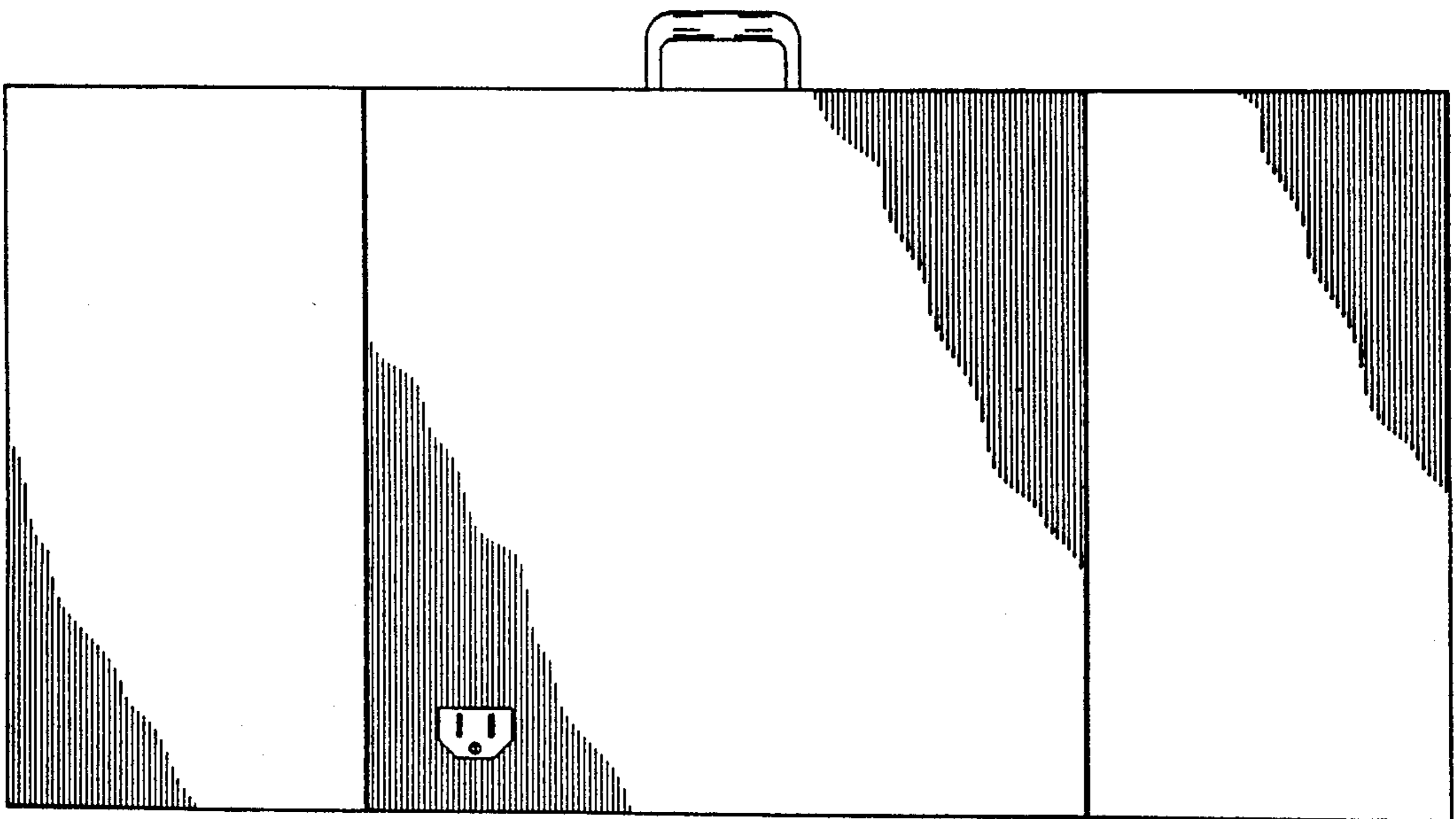


FIG. 3

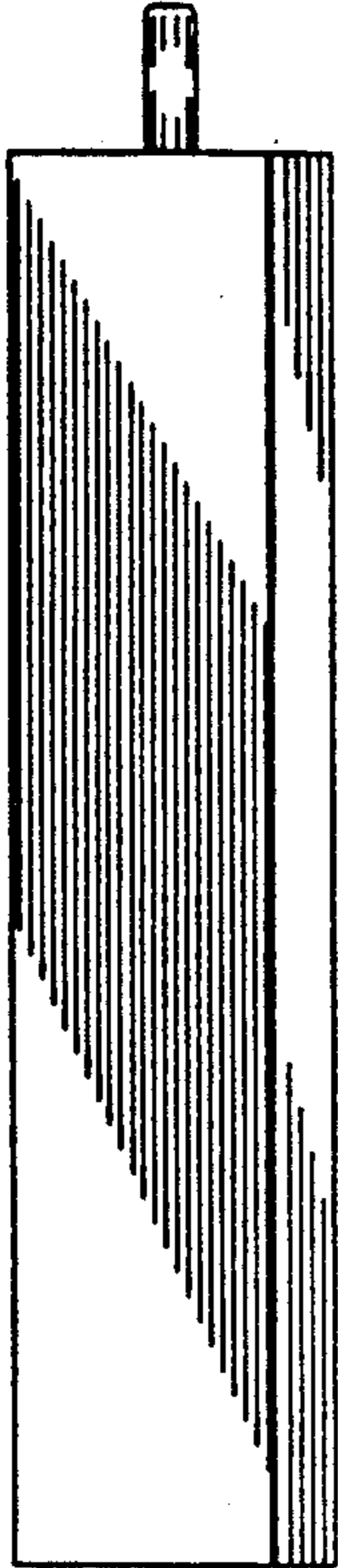


FIG. 4

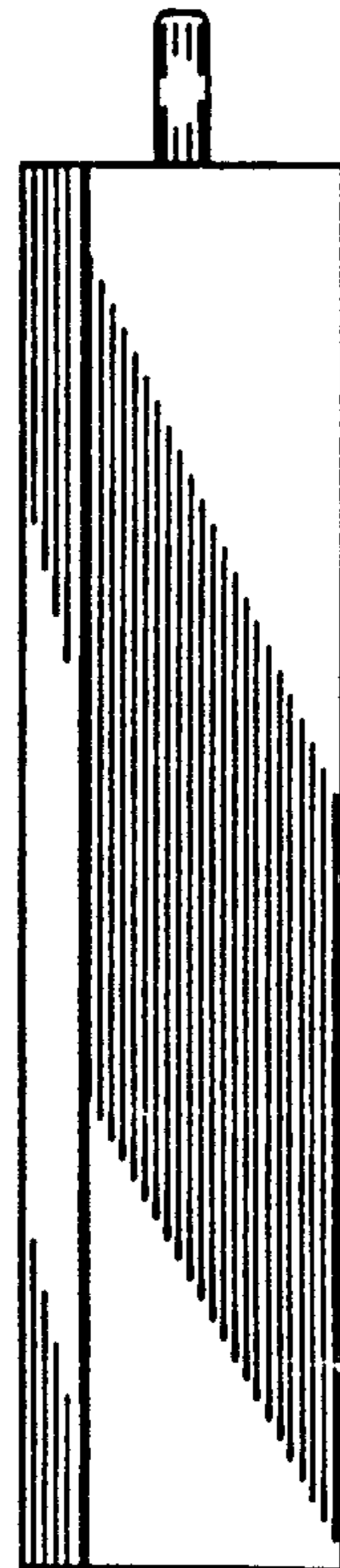


FIG. 5



FIG. 6

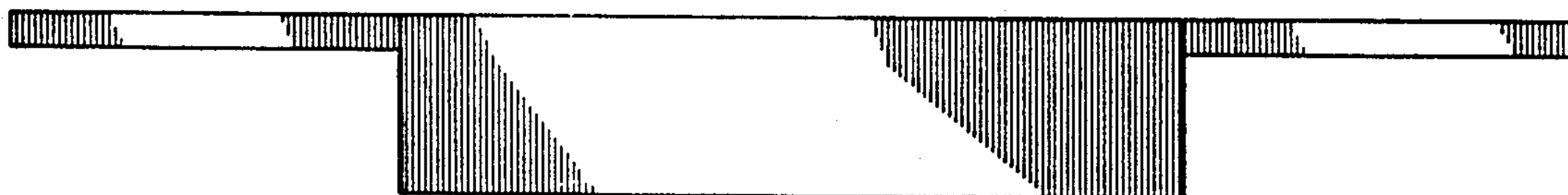


FIG. 7

