



US00D339825S

United States Patent [19]

Hwang

[11] Patent Number: **Des. 339,825**

[45] Date of Patent: **** Sep. 28, 1993**

[54] VERTICAL FILE

[76] Inventor: **Shih-Ming Hwang, Ching Tyan**
Street, Taipei, Taiwan

[**] Term: **14 Years**

[21] Appl. No.: **801,846**

[22] Filed: **Dec. 3, 1991**

[52] U.S. Cl. **D19/90; D19/75;**
D19/86

[58] Field of Search **D6/407; D19/65, 75,**
D19/78, 86, 90, 91, 95, 99, 100; 211/10, 11, 13,
42, 45, 50, 55; 206/425

[56] **References Cited**

U.S. PATENT DOCUMENTS

- D. 268,119 3/1983 Evenson D19/90 X
- D. 296,162 6/1988 Allen, Jr. et al. D19/90 X
- D. 299,361 1/1989 Lothe D19/90

- D. 299,657 1/1989 Hwang D19/75 X
- D. 304,462 11/1989 Evans D19/86 X

Primary Examiner—Alan P. Douglas
Assistant Examiner—Martha Thompson
Attorney, Agent, or Firm—Bacon & Thomas

[57] CLAIM

The ornamental design for a vertical file, as shown and described.

DESCRIPTION

FIG. 1 is a perspective view of a vertical file showing my new design;
FIG. 2 is a front elevational view thereof;
FIG. 3 is a rear elevational view thereof;
FIG. 4 is a left side elevational view thereof;
FIG. 5 is a right side elevational view thereof;
FIG. 6 is a top plan view thereof; and,
FIG. 7 is a bottom plan view thereof.

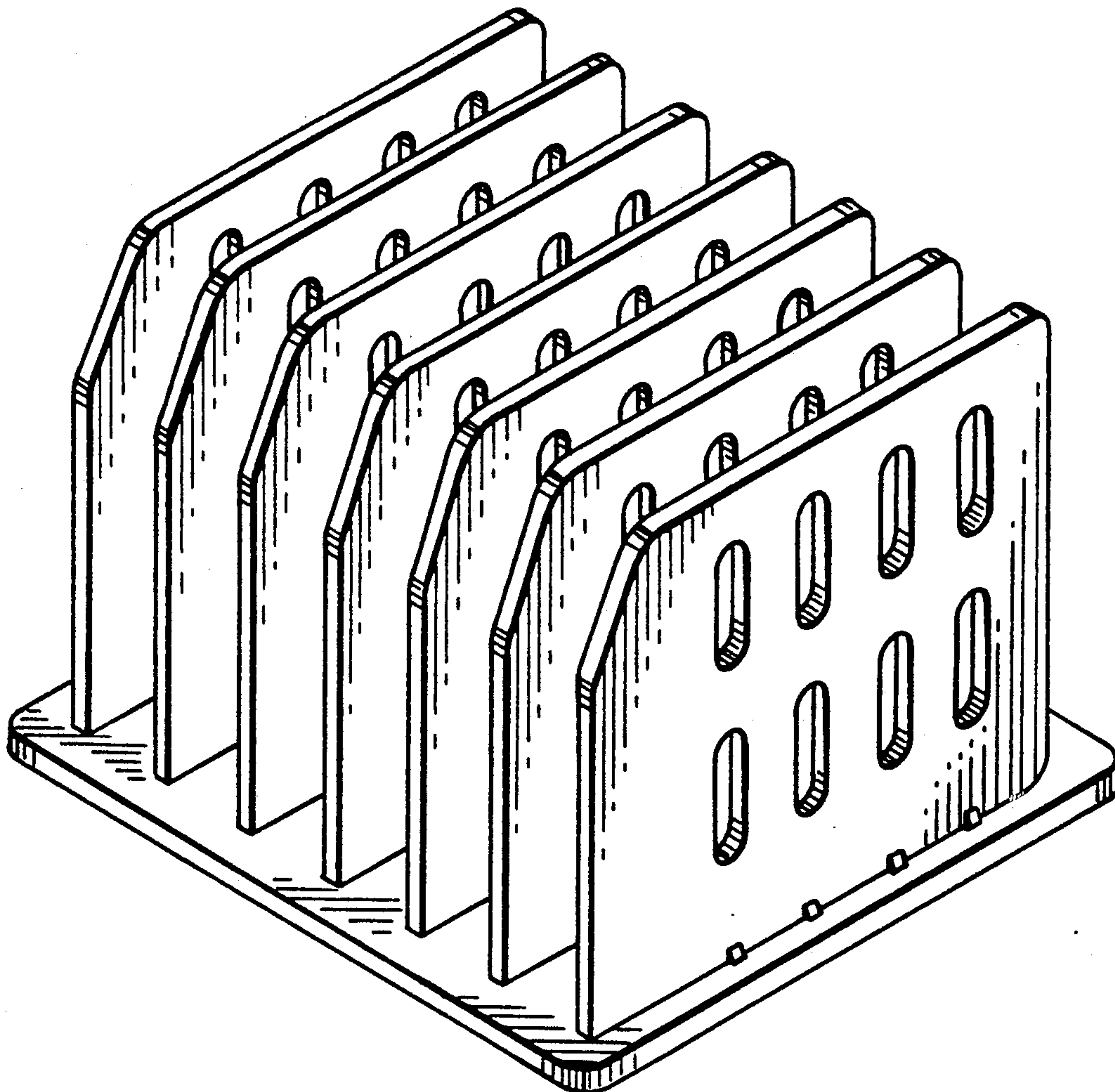
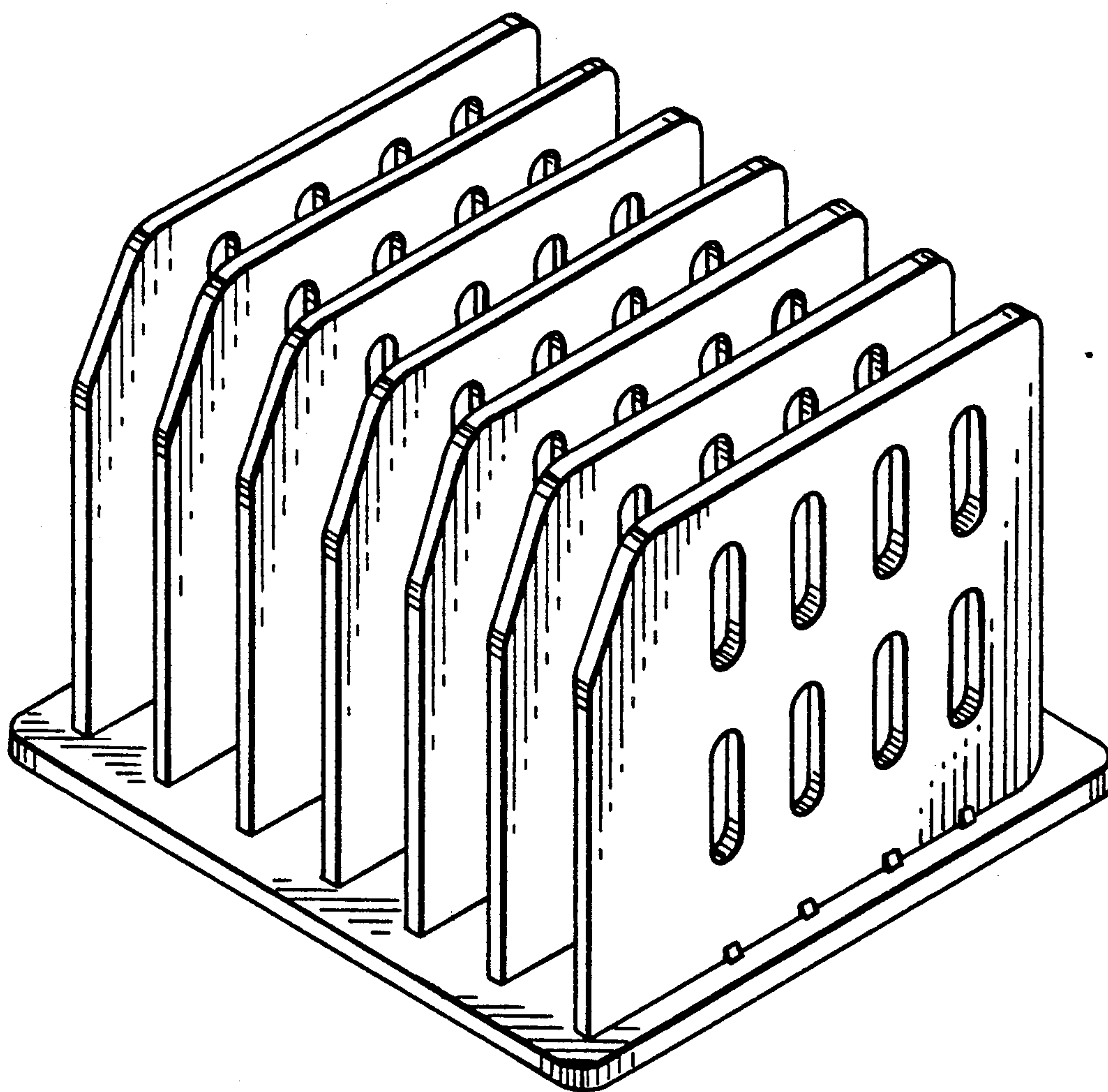


FIG. 1



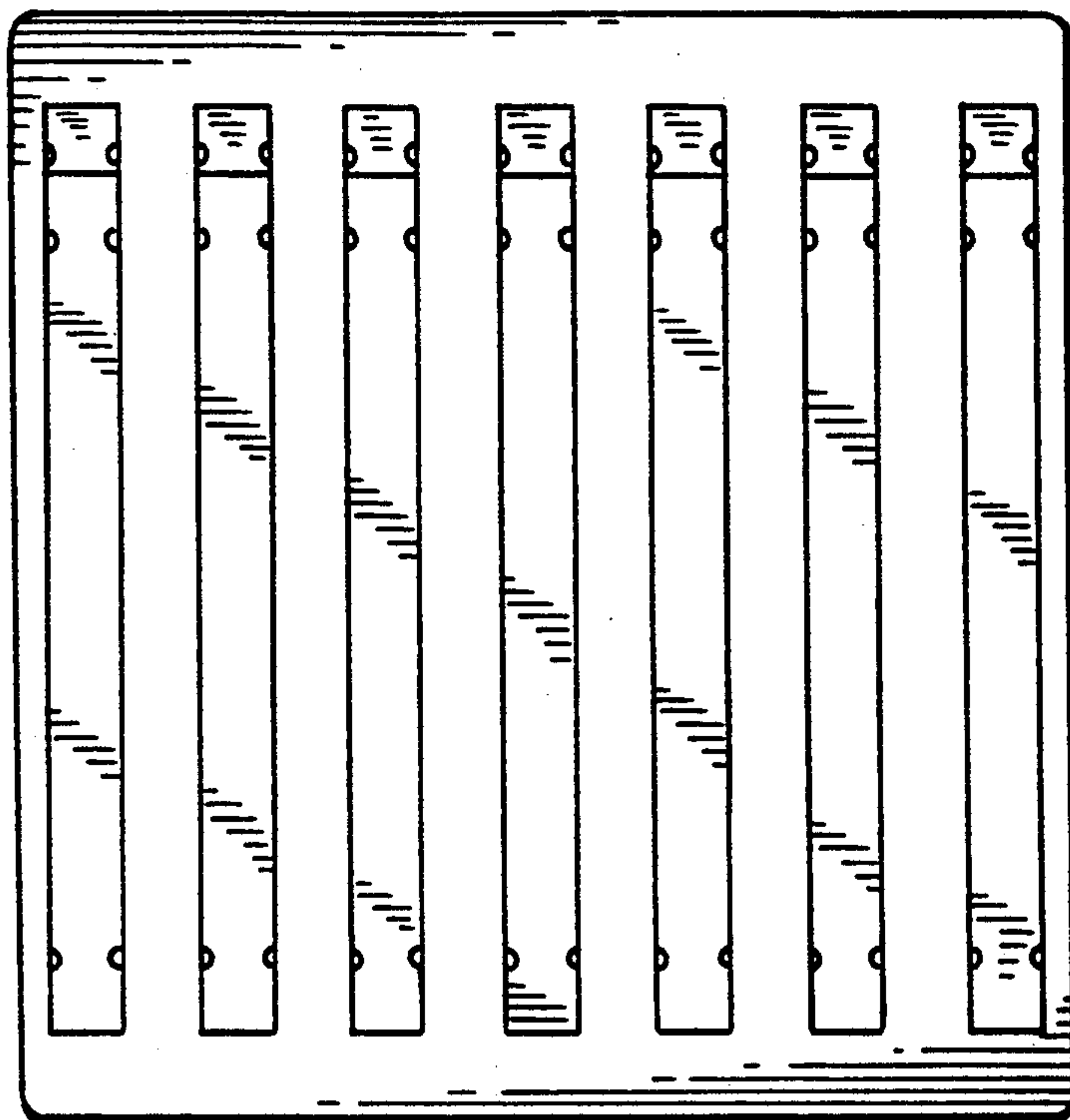


FIG. 3

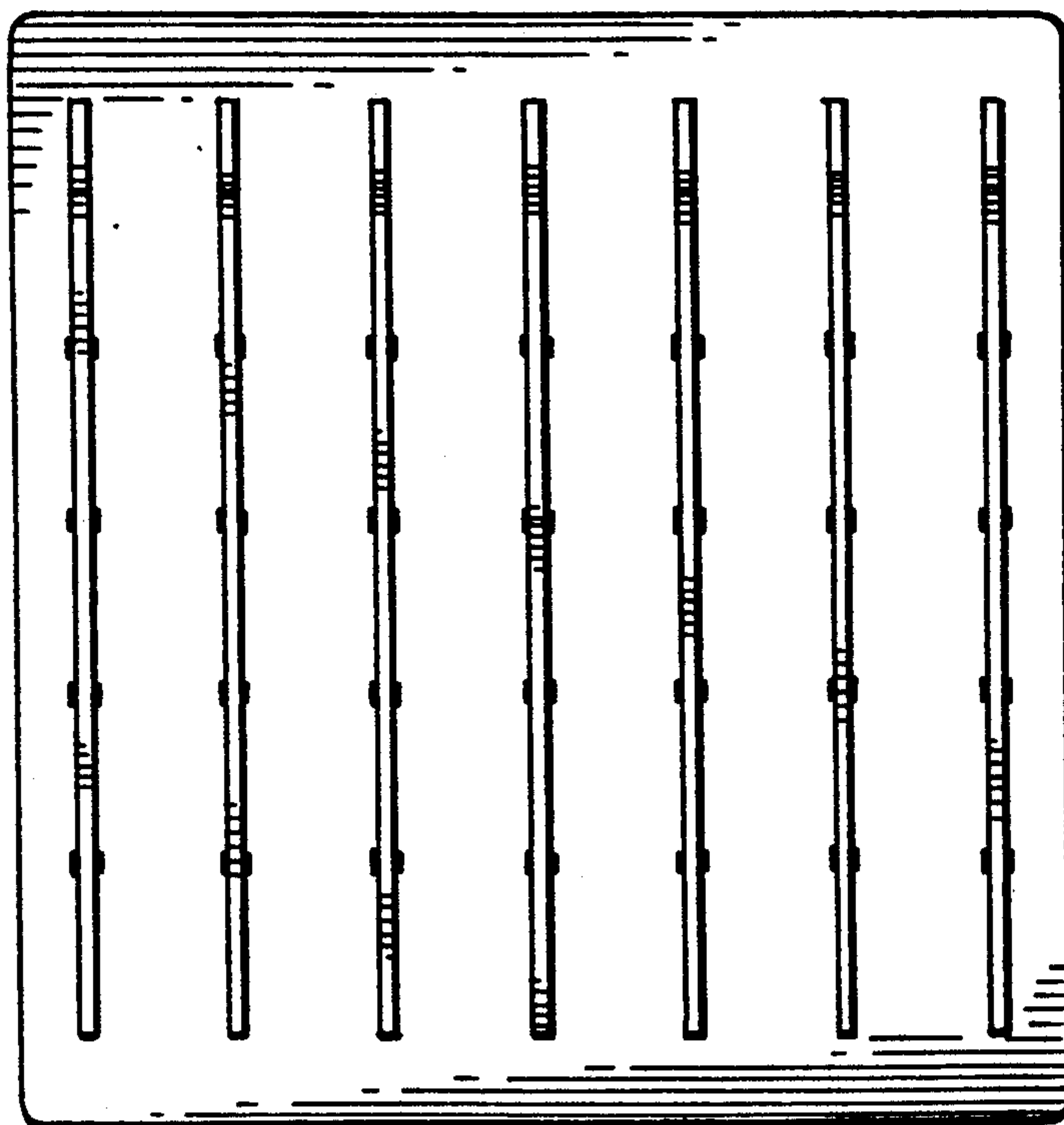


FIG. 2

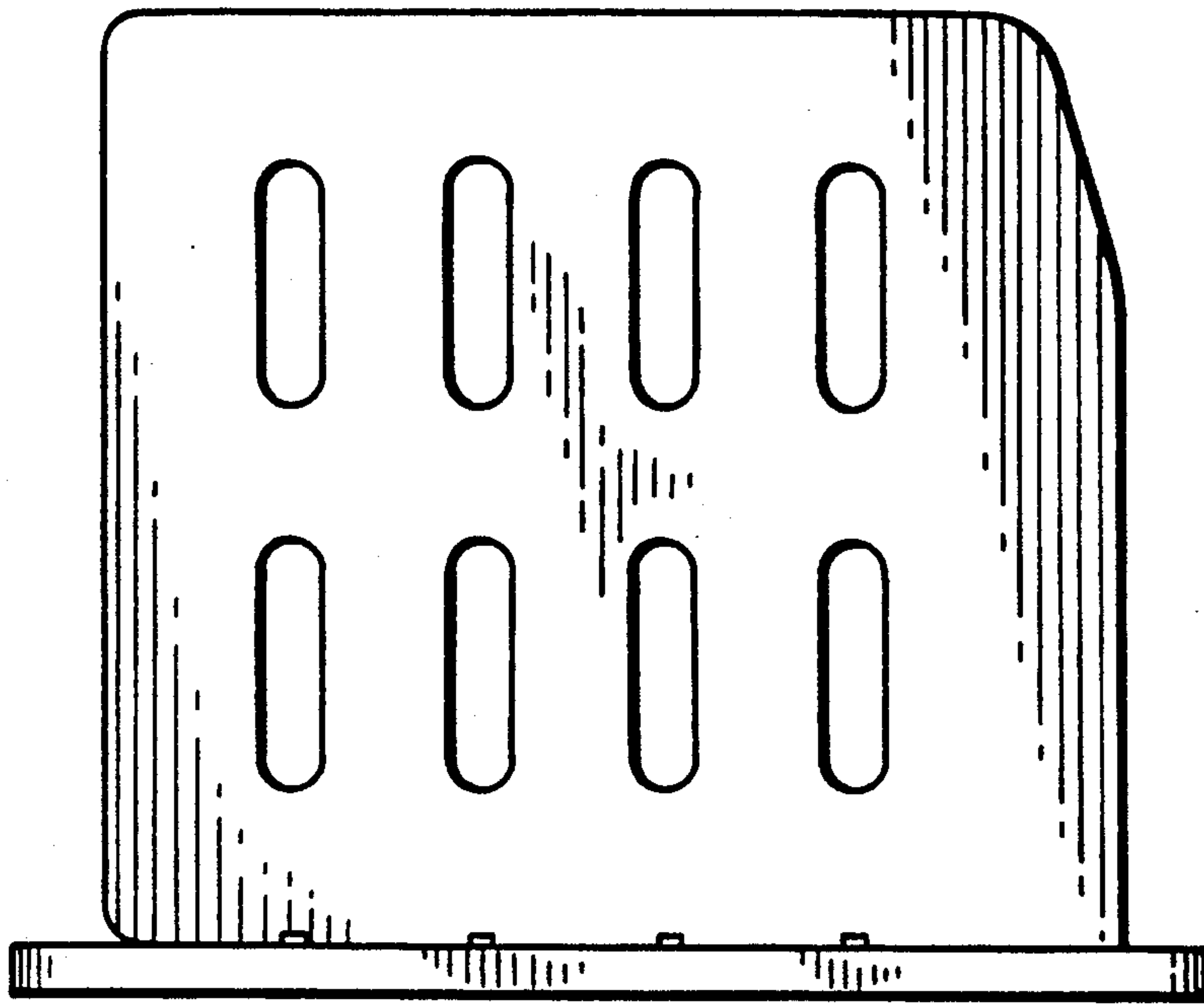


FIG. 4

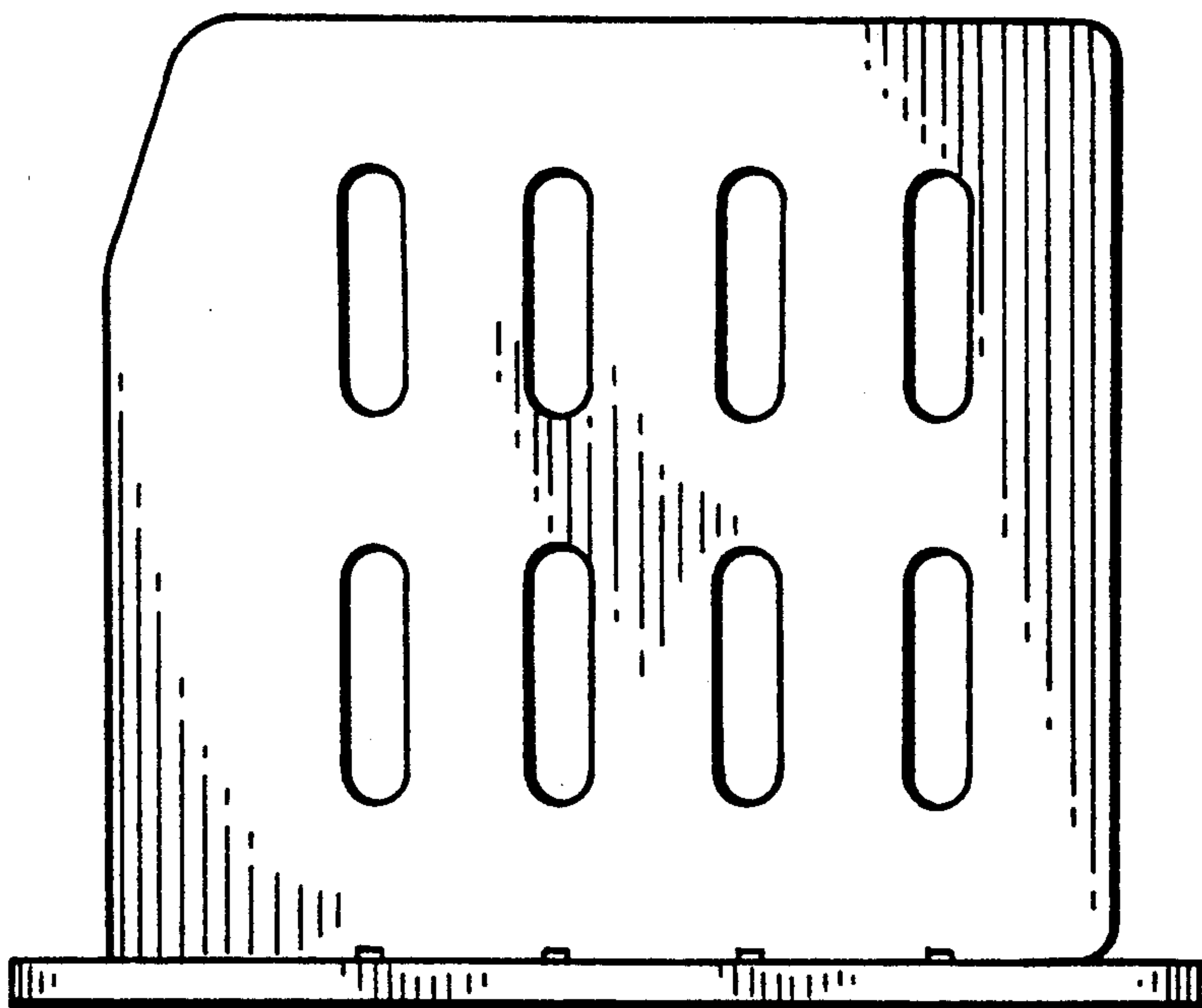


FIG. 5

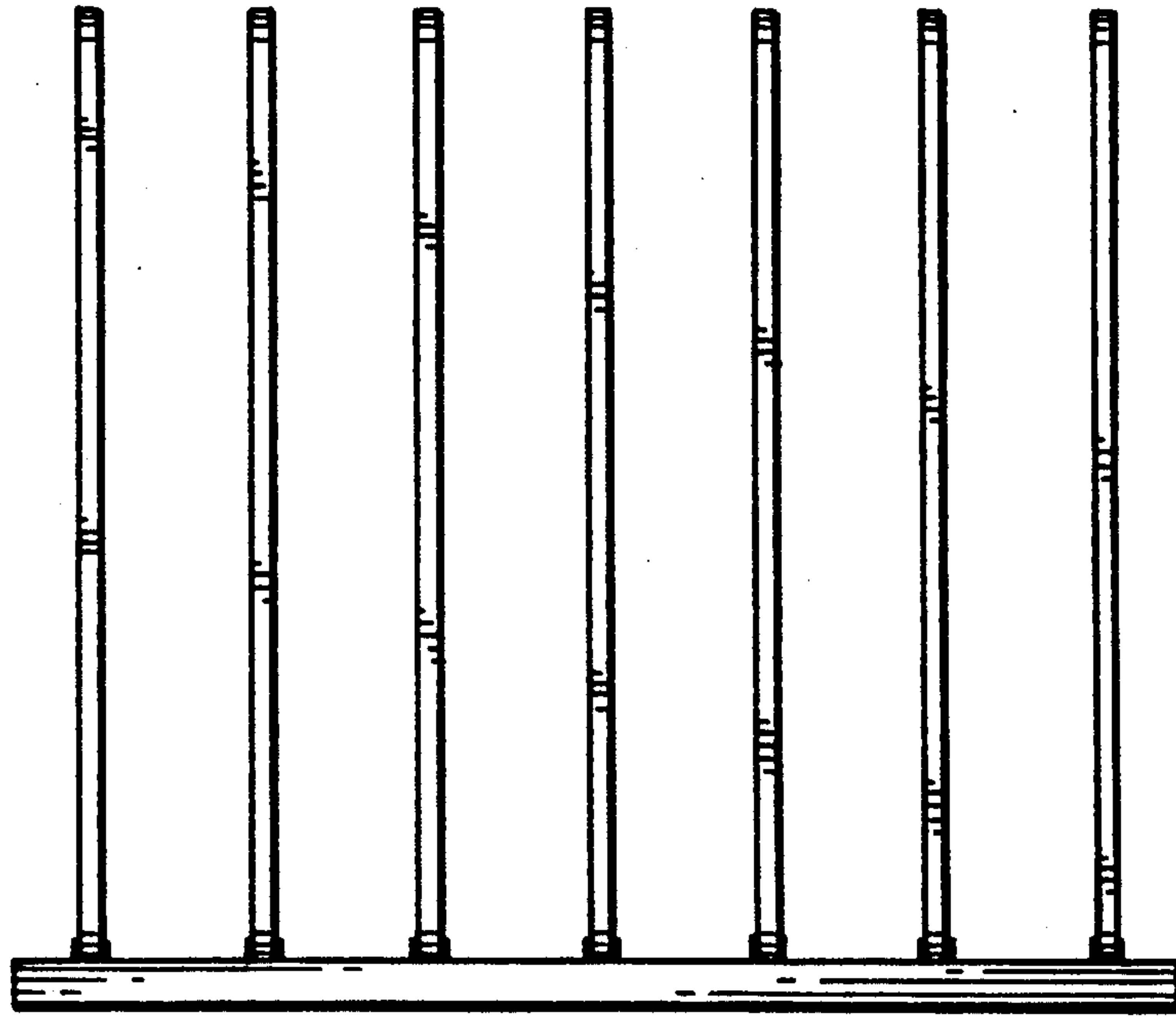


FIG. 6

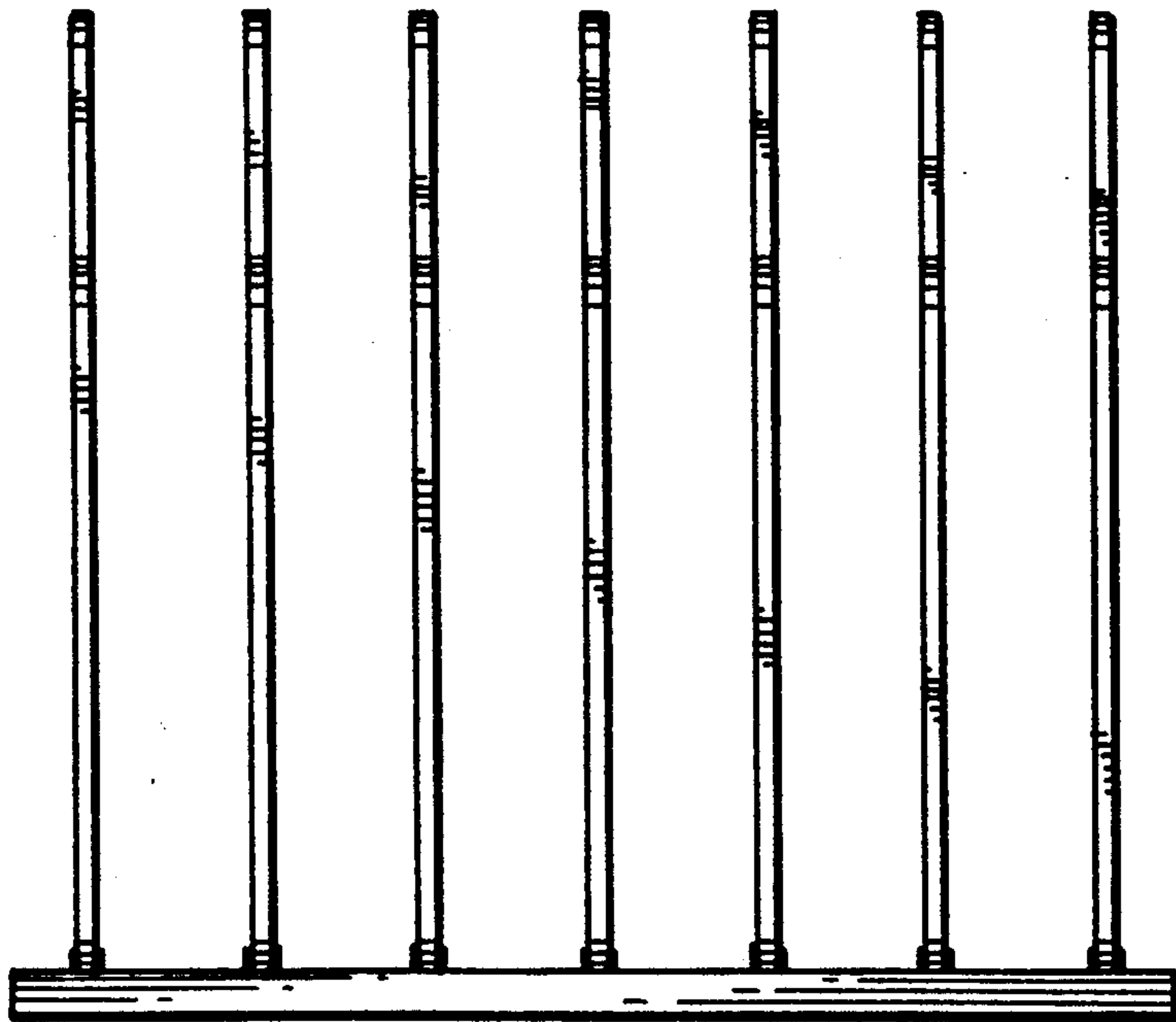


FIG. 7