



US00D339824S

United States Patent [19]

[11] Patent Number: **Des. 339,824**

Ancona et al.

[45] Date of Patent: **** Sep. 28, 1993**

[54] **DESK ORGANIZER**

[76] Inventors: **Bruce Ancona; Jane Ancona**, both of 21 E. 22nd St., Apt. 6K, New York City, N.Y. 10010

[**] Term: **14 Years**

[21] Appl. No.: **915,967**

[22] Filed: **Jul. 24, 1992**

[52] U.S. Cl. **D19/77; D19/75; D19/85; D19/95**

[58] Field of Search **D19/35, 36, 65, 75, D19/77, 78, 81-85, 95, 99, 100; 206/214, 224, 371; 211/69.1-69.9**

D. 325,149	4/1992	Ancona et al.	D19/85 X
D. 328,472	8/1992	Ancona et al.	D19/77
D. 329,766	9/1992	Ancona et al.	D6/467
3,327,688	6/1987	Smith	206/214

OTHER PUBLICATIONS

"Asian Sources: Gifts & Home Products", Feb. 1990, p. 434.

Primary Examiner—Nelson C. Holtje
Assistant Examiner—Martha Thompson
Attorney, Agent, or Firm—James A. Drobile; Robert A. Koons; Robert Rosenthal

[57] CLAIM

The ornamental design for a desk organizer, as shown.

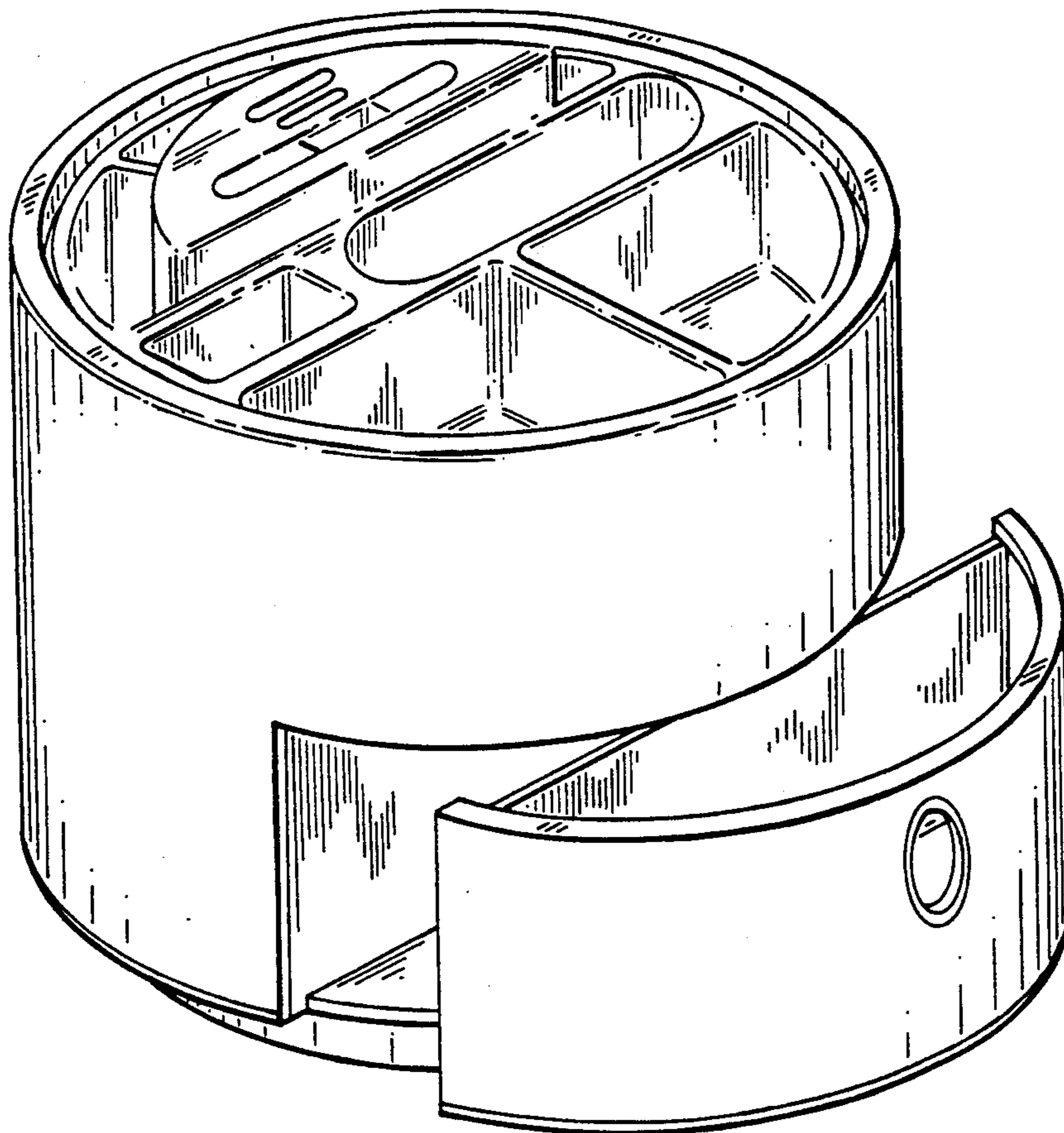
DESCRIPTION

FIG. 1 is a perspective view of a desk organizer showing our new design;
FIG. 2 is a front elevational view thereof;
FIG. 3 is a rear elevational view thereof;
FIG. 4 is a right side elevational view thereof, a left side elevational view being a mirror image;
FIG. 5 is a top plan view thereof;
FIG. 6 is a bottom plan view thereof; and,
FIG. 7 is a perspective view thereof showing the drawer in an open position.

[56] References Cited

U.S. PATENT DOCUMENTS

D. 123,303	10/1940	Stempel	D19/79
D. 187,897	5/1960	Kipp	D19/75
D. 214,768	7/1969	Hillis	D19/23
D. 217,040	3/1970	Smith	D19/77 X
D. 254,853	4/1980	Grunstad	D19/85 X
D. 264,224	5/1982	Henkels	D19/75
D. 283,630	4/1986	Yuen	D19/69
D. 302,908	8/1989	Hwang	D19/77 X
D. 311,213	10/1990	Ancona et al.	D19/77
D. 323,853	2/1992	Evenson	D19/77



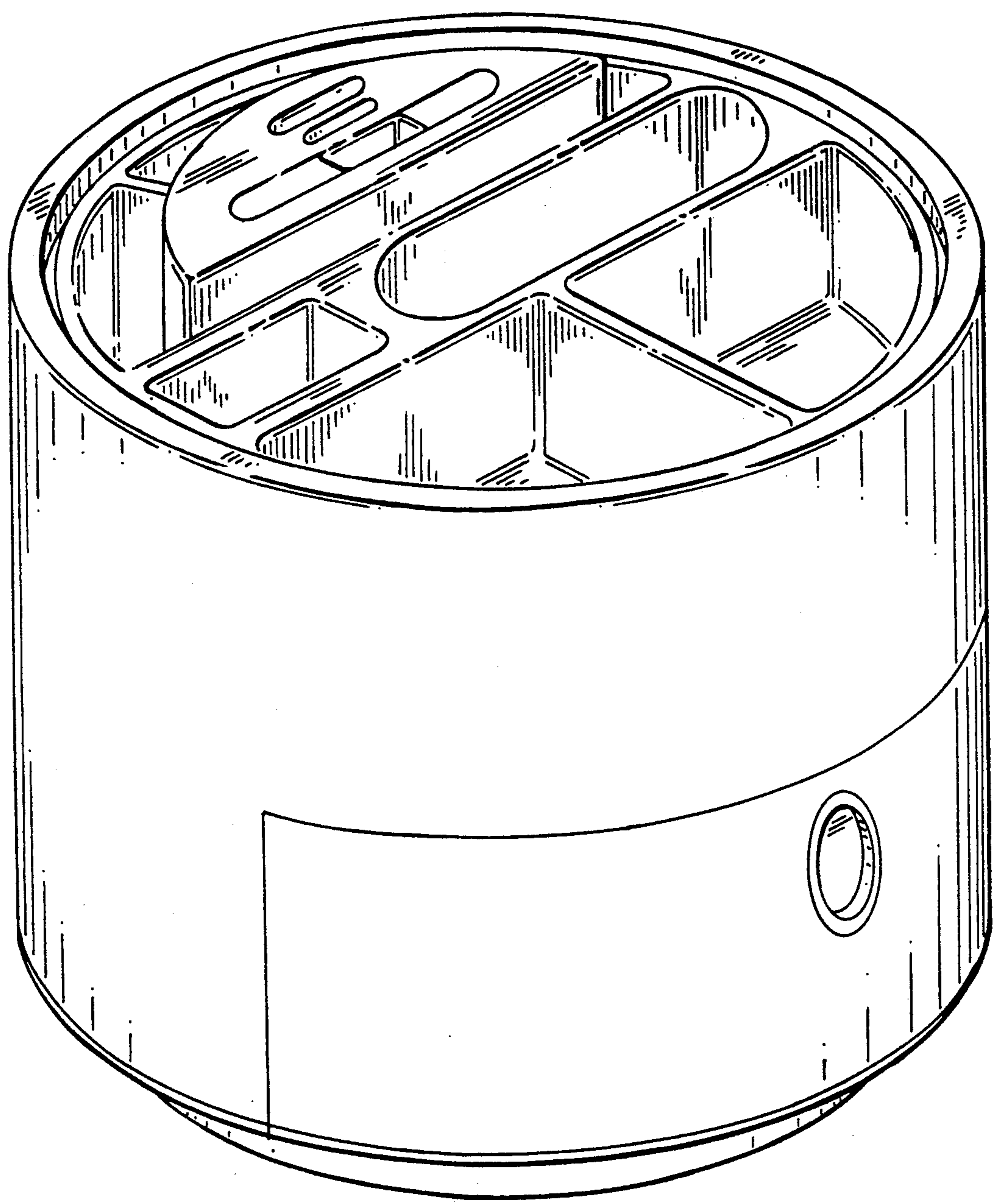


FIG. 1

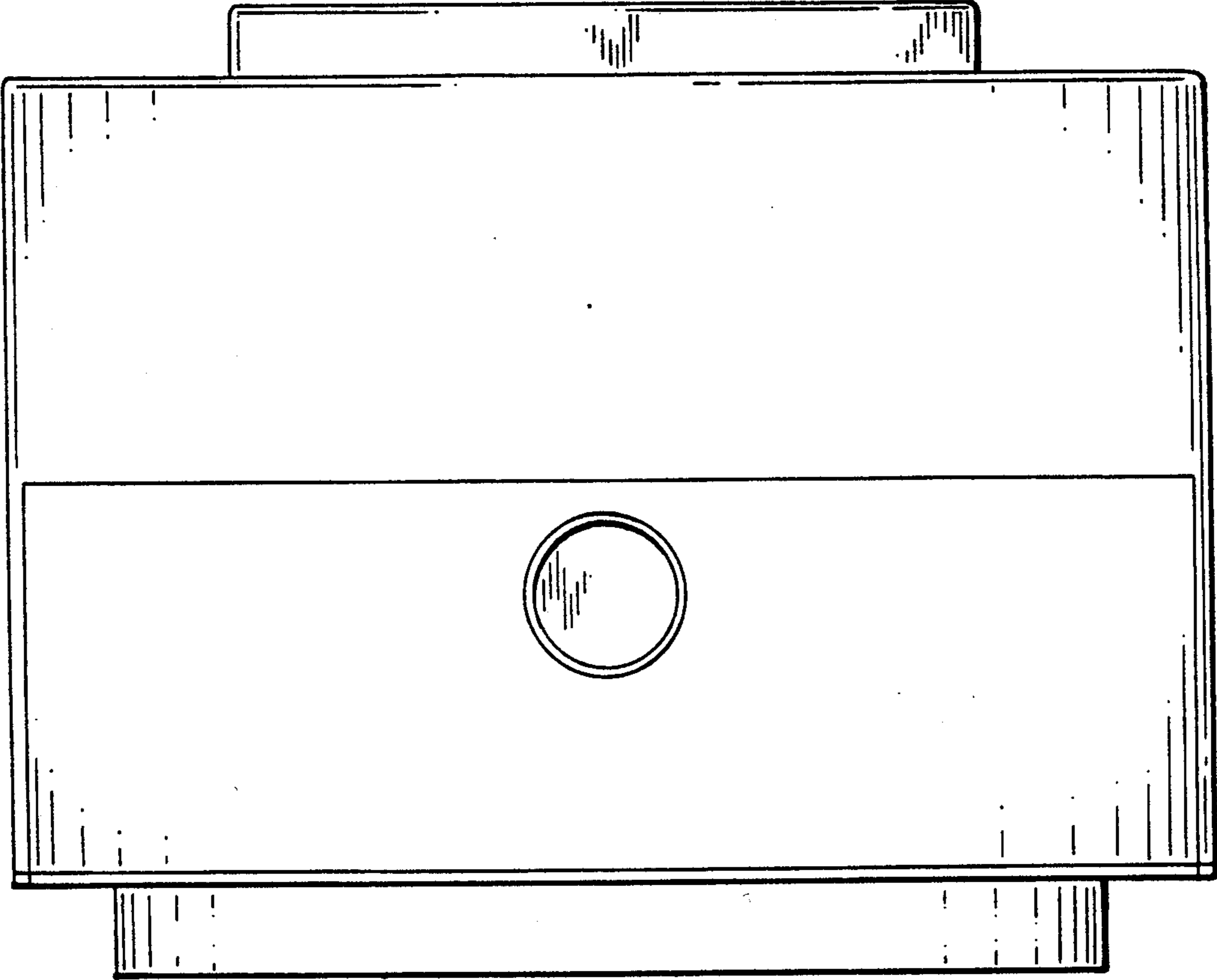


FIG. 2

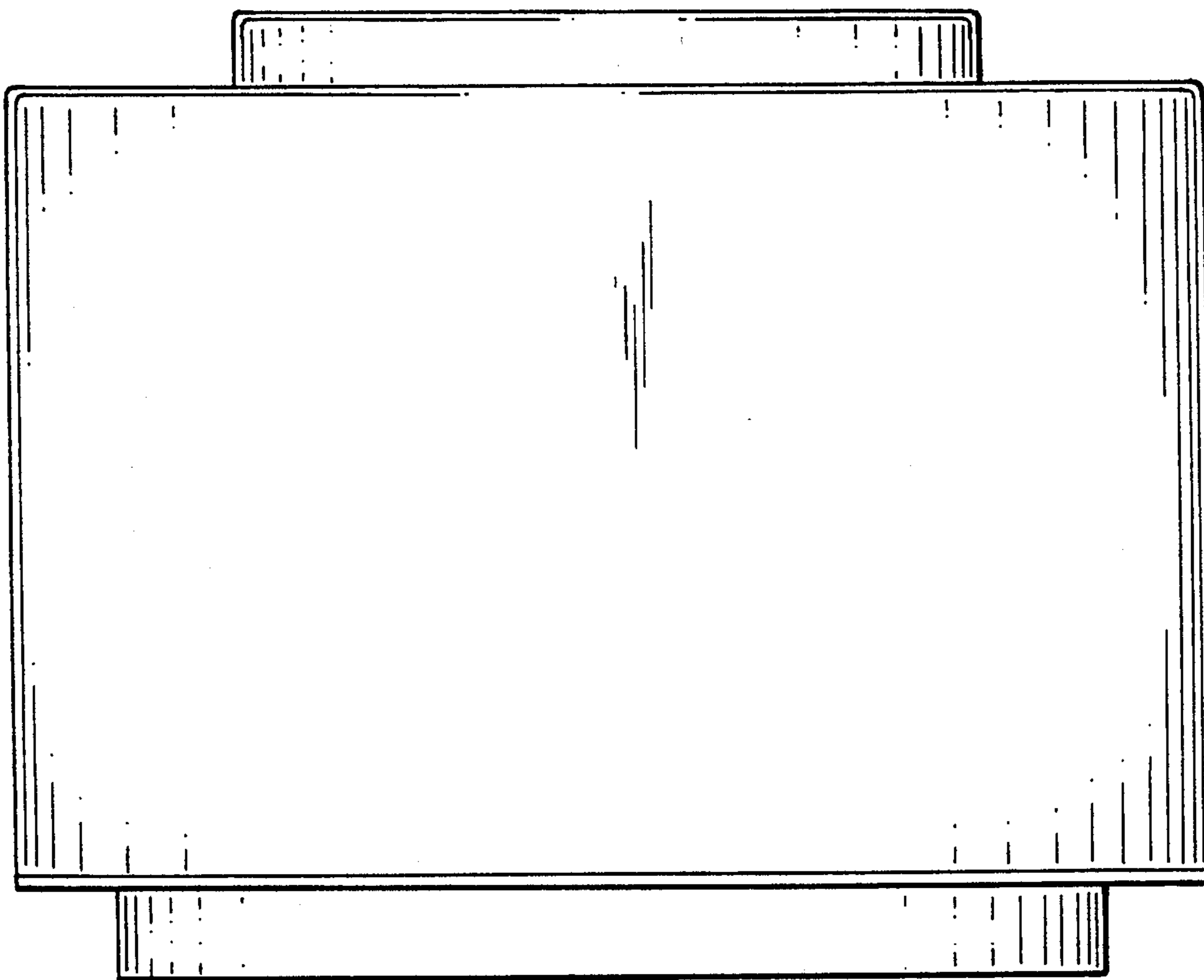


FIG. 3

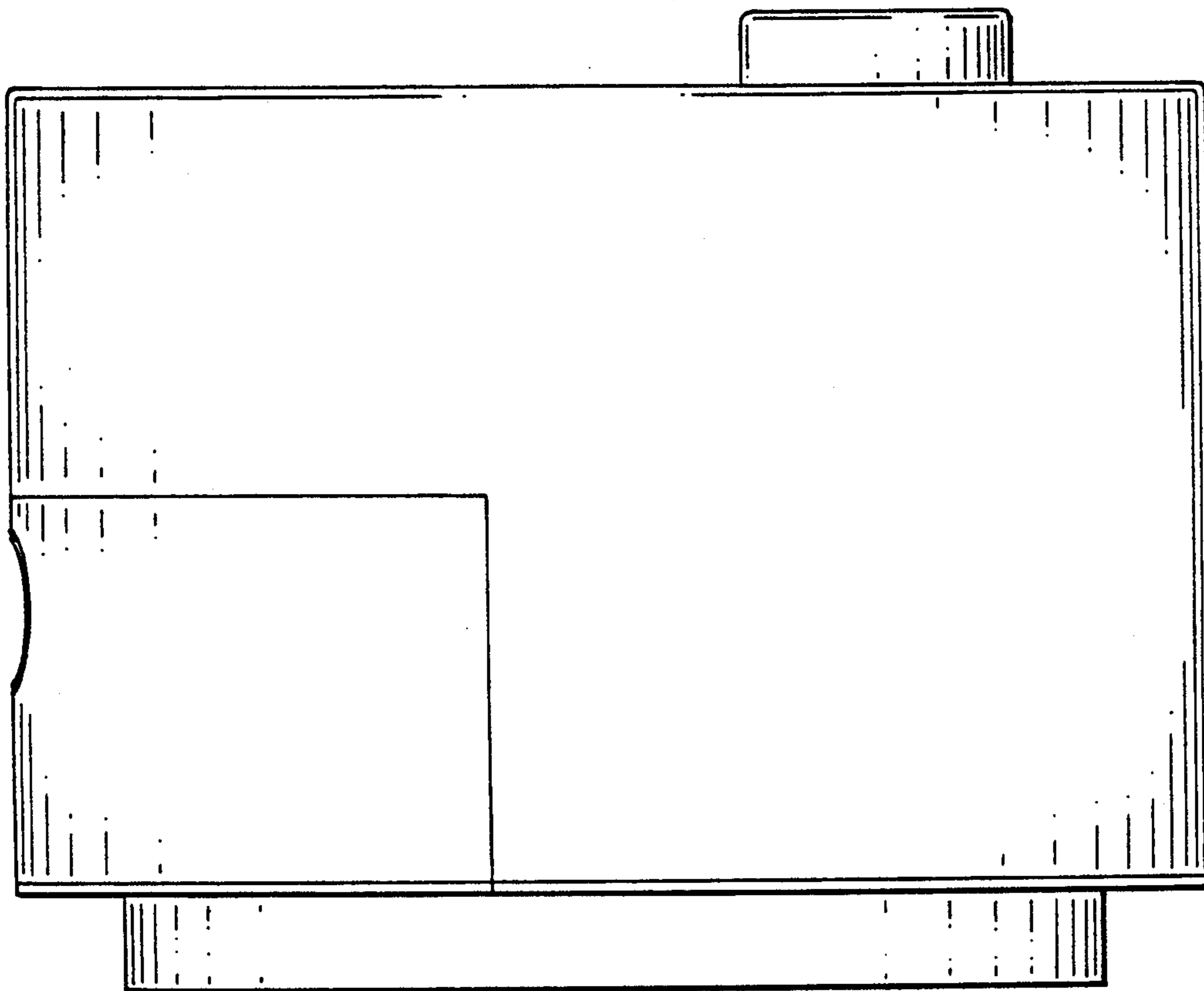


FIG. 4

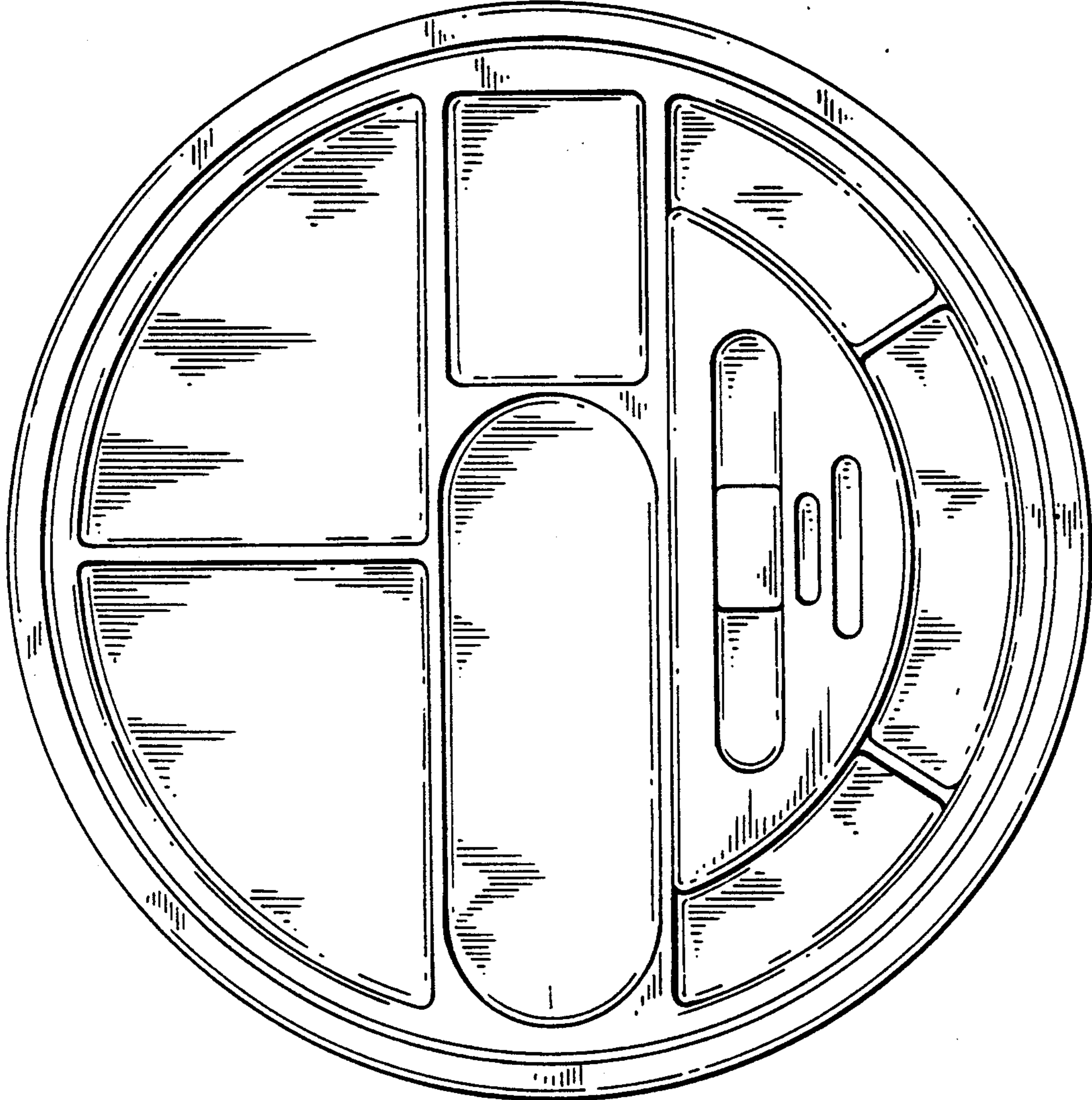


FIG. 5

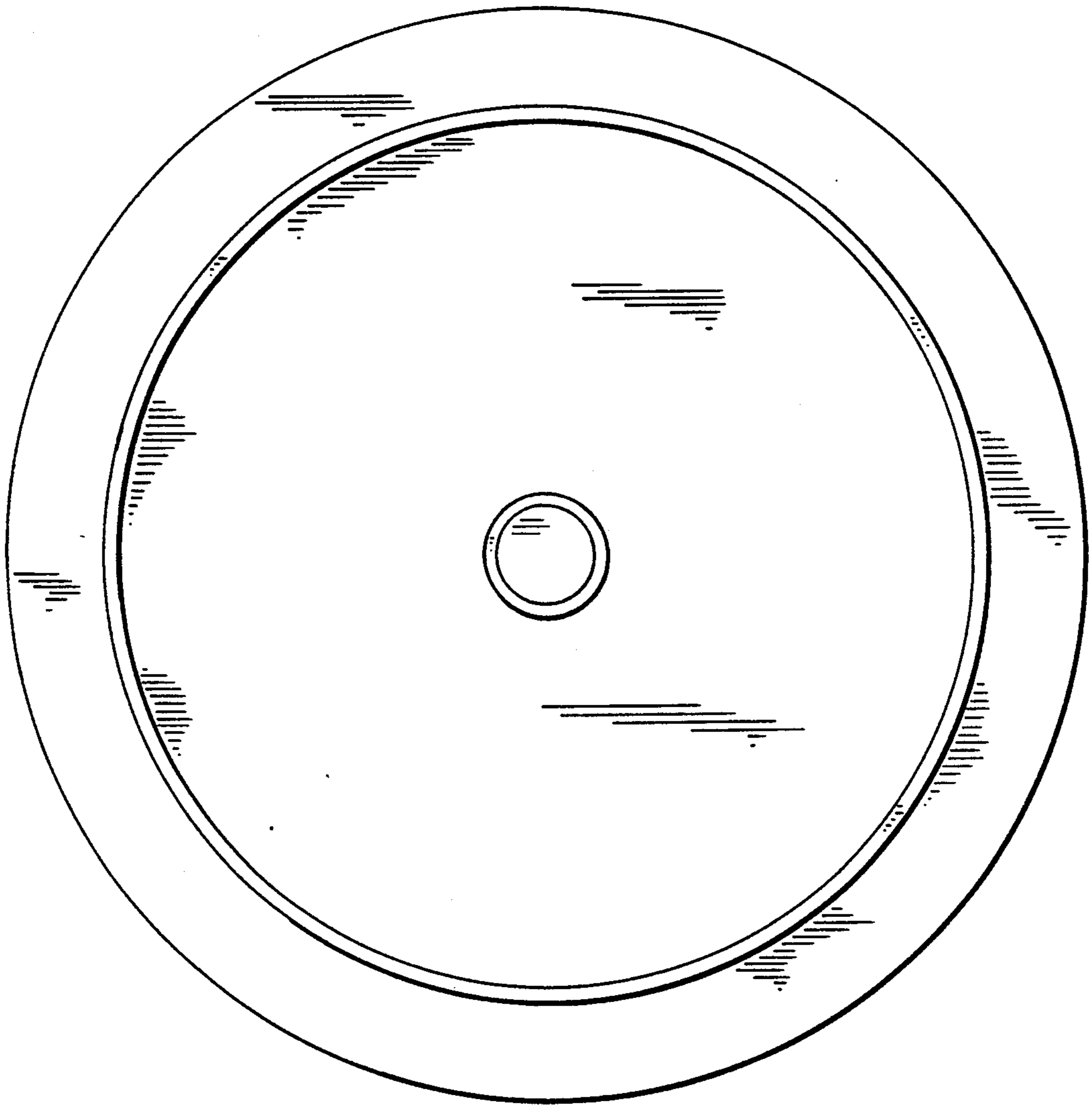


FIG. 6

FIG. 7

