



US00D339815S

# United States Patent [19] Olovsson

[11] Patent Number: **Des. 339,815**  
[45] Date of Patent: **\*\* Sep. 28, 1993**

[54] **GRINDER SUPPORT APPARATUS**

[75] Inventor: **Gunnar Olovsson, Matojarvigatan 7,  
S-981 39 Kiruna, Sweden**

[73] Assignee: **Gunnar Olovsson, Kiruna, Sweden**

[\*\*] Term: **14 Years**

[21] Appl. No.: **688,873**

[22] Filed: **Apr. 22, 1991**

[30] **Foreign Application Priority Data**

Oct. 22, 1990 [SE] Sweden ..... 90-2267

[52] U.S. Cl. .... **D15/141**

[58] Field of Search ..... D8/71; D15/124, 125,  
D15/126, 141; 83/56, 76.8, 174, 940;  
51/236-237 T, 165.77-165.92, 277, 166 R-166  
T, 240 R, 240 T, 240 A, 238 R-238 T, 241 S,  
247, 327

[56] **References Cited**

**U.S. PATENT DOCUMENTS**

2,686,994 8/1954 Wyborski ..... 51/238 R  
4,123,877 11/1978 Pere ..... 51/166 FB X

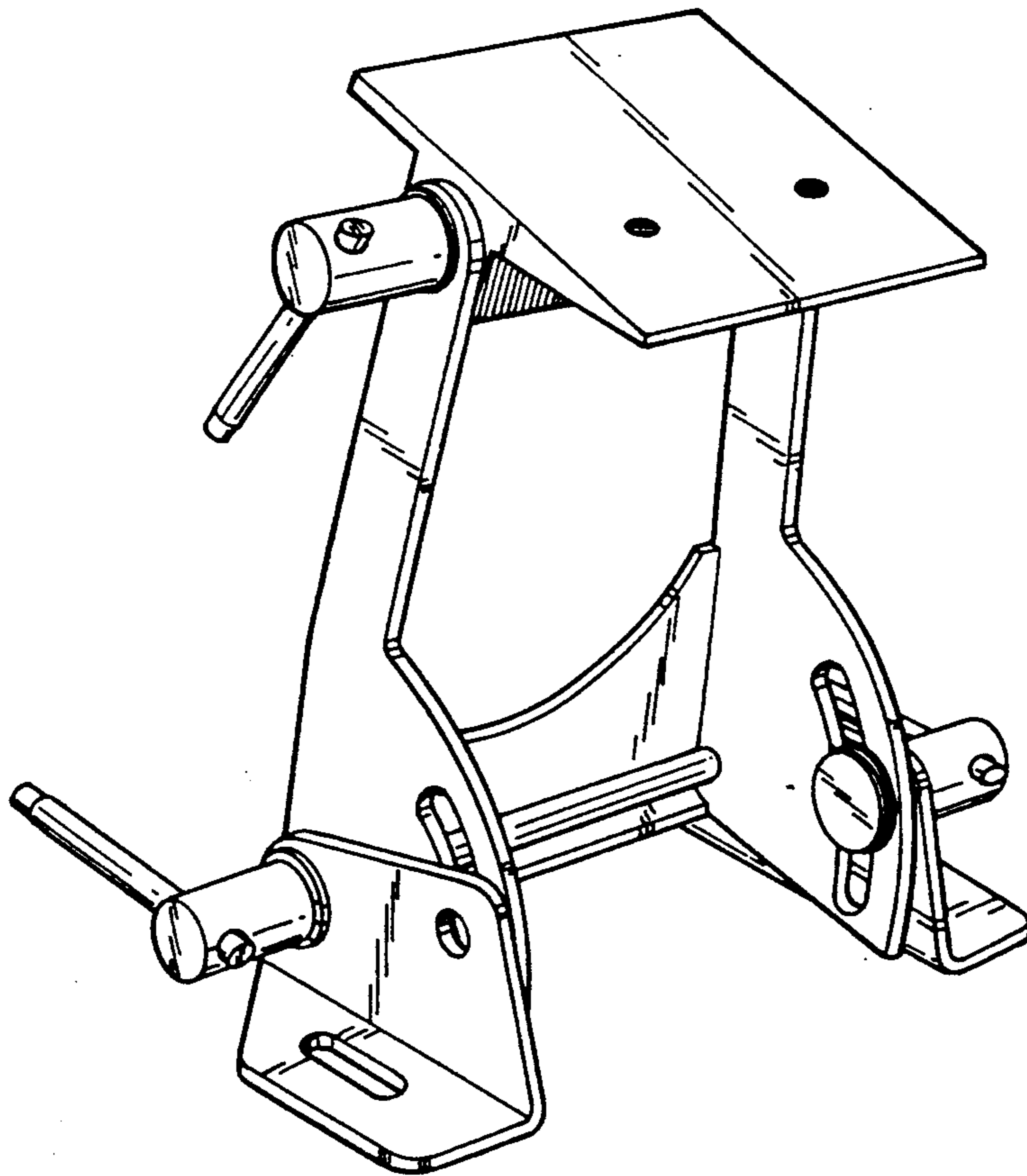
*Primary Examiner*—Alan P. Douglas  
*Assistant Examiner*—Antoine D. Davis  
*Attorney, Agent, or Firm*—Cushman, Darby & Cushman

[57] **CLAIM**

The ornamental design for a grinder support apparatus,  
as shown and described.

**DESCRIPTION**

FIG. 1 is a top, front and one side perspective view of  
a grinder support apparatus;  
FIG. 2 is a top, rear and opposite side perspective view  
thereof; and,  
FIG. 3 is an inverted bottom, front and opposite side  
perspective view thereof.



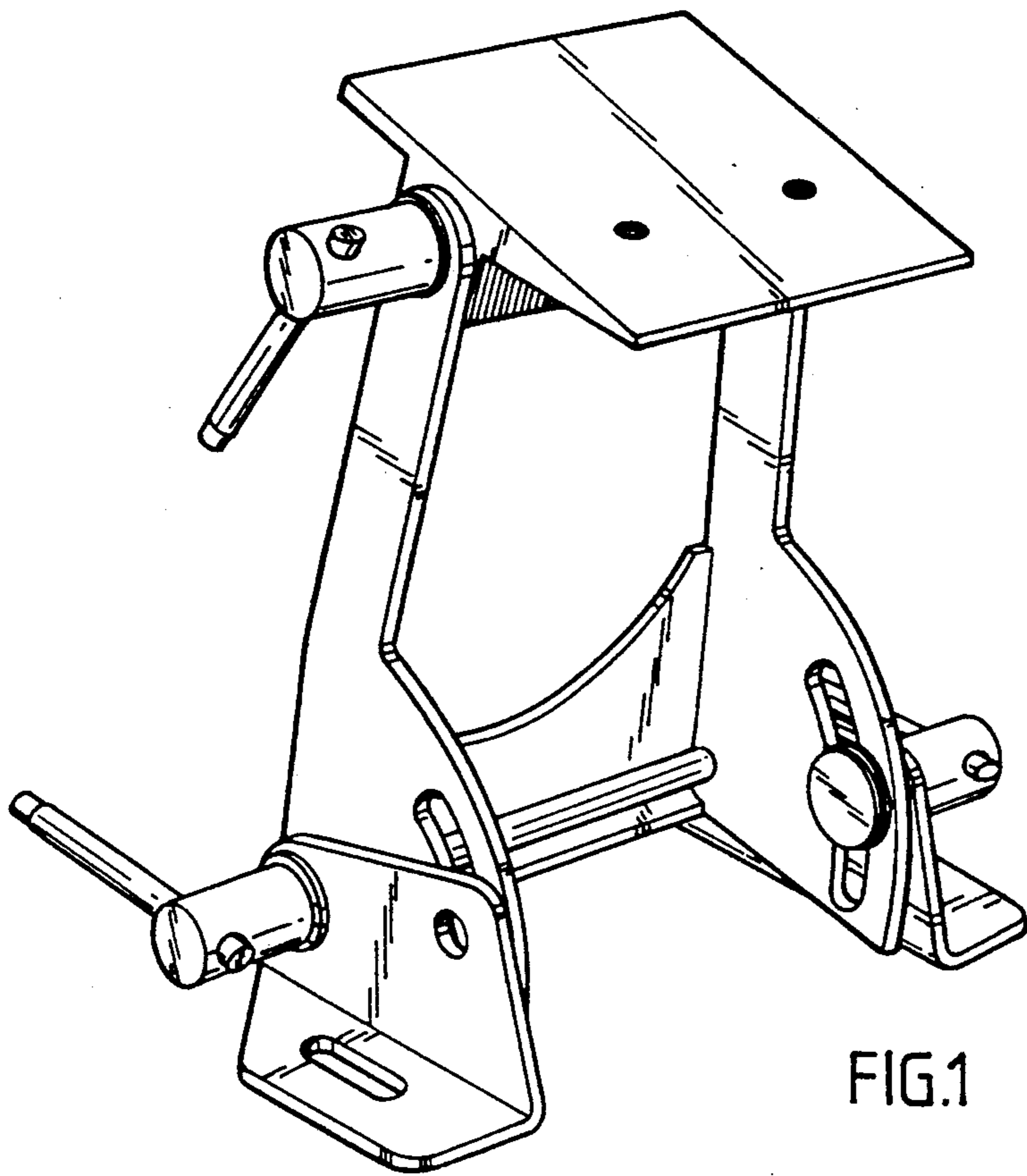


FIG.1

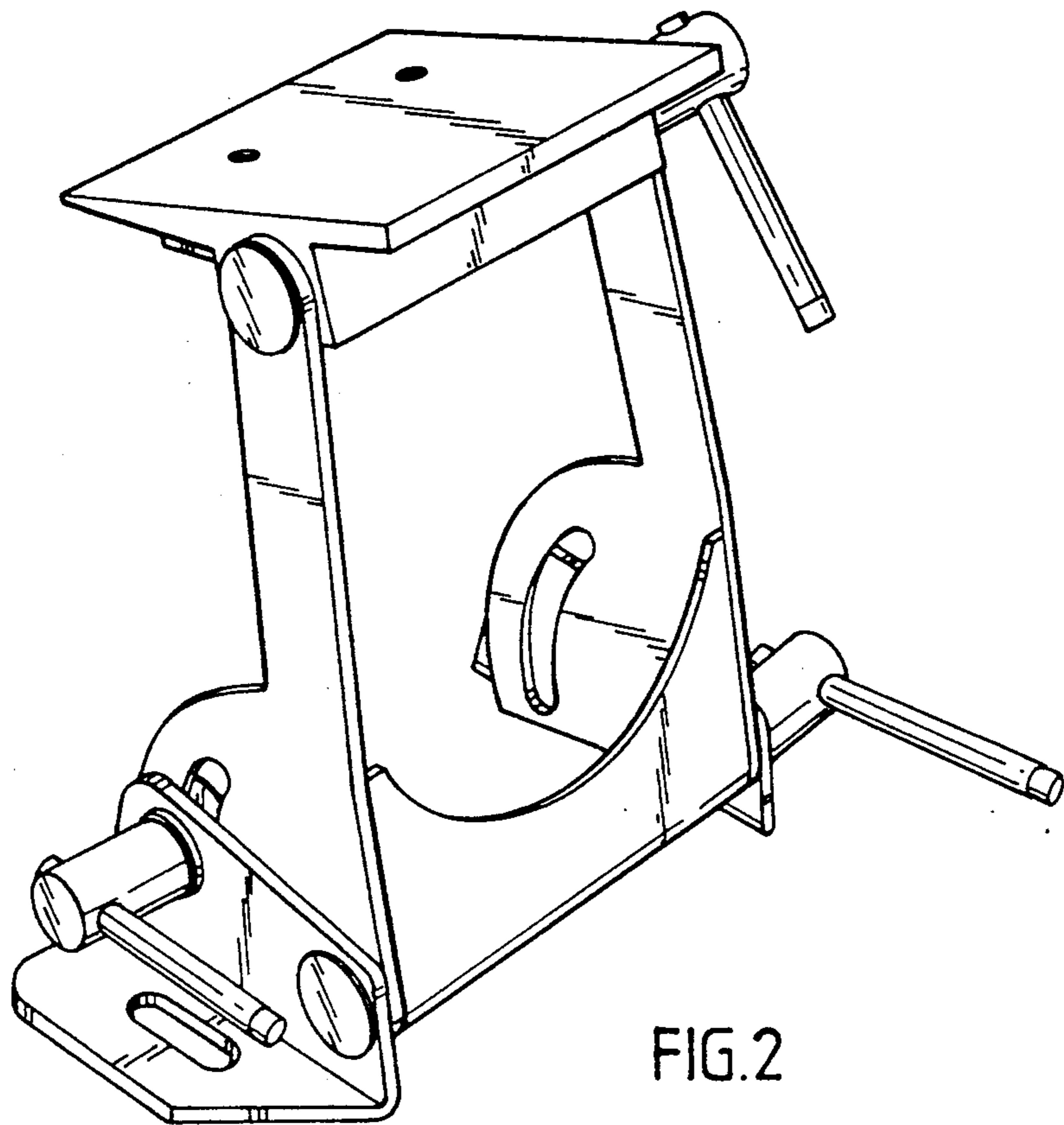


FIG.2

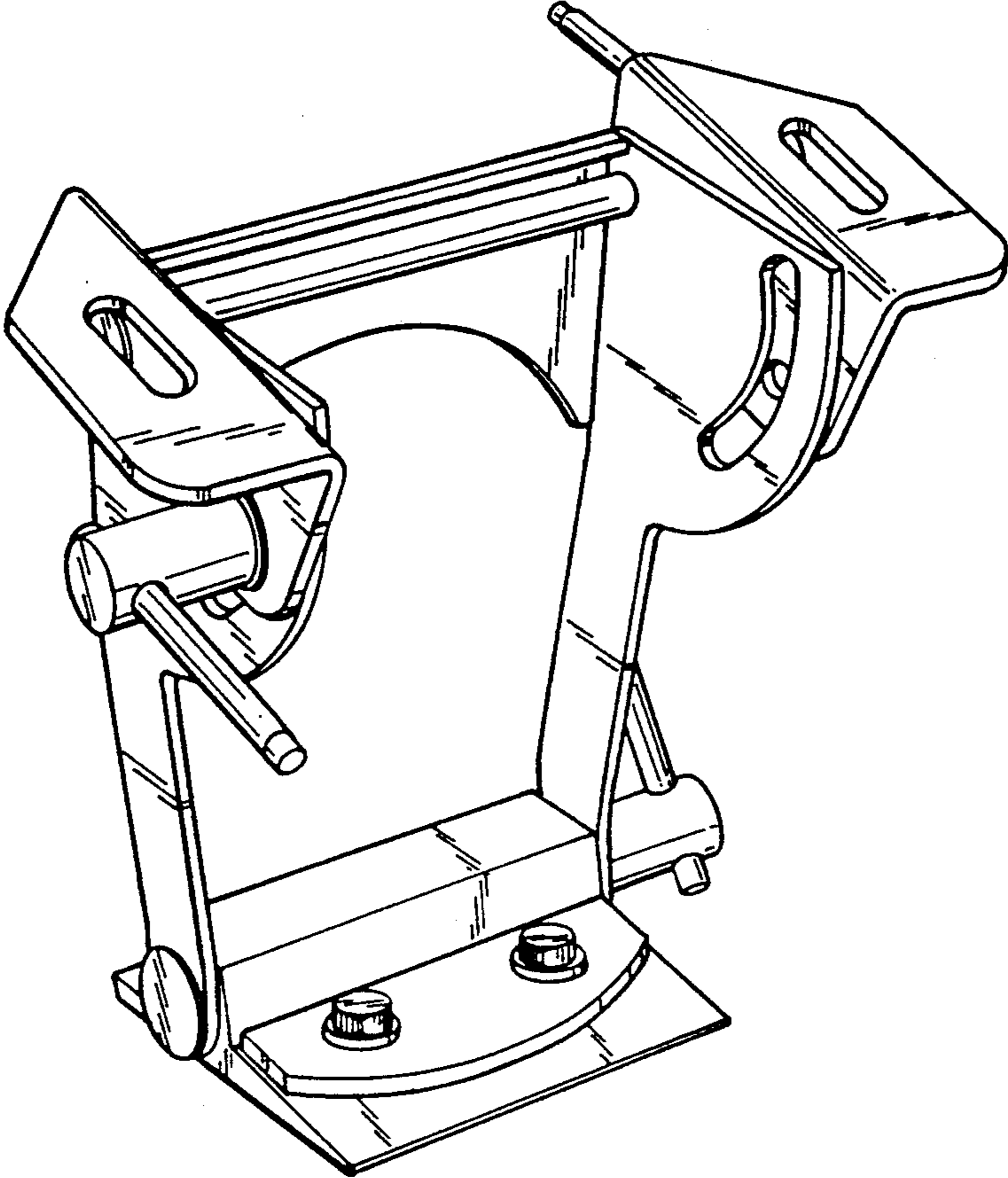


FIG. 3