



US00D339812S

United States Patent [19]

[11] Patent Number: **Des. 339,812**

Jaques, III

[45] Date of Patent: **** Sep. 28, 1993**

[54] **GRINDING TOOL**

Attorney, Agent, or Firm—Robert J. Doherty

[76] Inventor: **James M. Jaques, III**, 395 Shippee Rd., East Greenwich, R.I. 02818

[57] **CLAIM**

The ornamental design for a grinding tool, as shown and described.

[**] Term: **14 Years**

DESCRIPTION

[21] Appl. No.: **841,453**

FIG. 1 is a top plan view showing my new design for a grinding tool, the bottom plan view being a mirror image thereof;

[22] Filed: **Feb. 26, 1992**

[52] U.S. Cl. **D15/126**

FIG. 2 is a front elevational view thereof;

[58] Field of Search **D15/126, 138, 139;**
29/90.01, 90.03, 90.07; 72/53, 74, 75, 76, 199,
205, 412, 465

FIG. 3 is a rear elevational view thereof;

FIG. 4 is a side elevational view taken from the left side of FIG. 1, the right side elevational view being a mirror image thereof;

[56] **References Cited**

U.S. PATENT DOCUMENTS

- D. 260,525 9/1981 Lassiter D15/139
- D. 262,219 12/1981 Lassiter D15/139
- 4,253,223 3/1981 Neilsen 29/90.01
- 4,512,178 4/1985 Blevins et al. 72/75 X

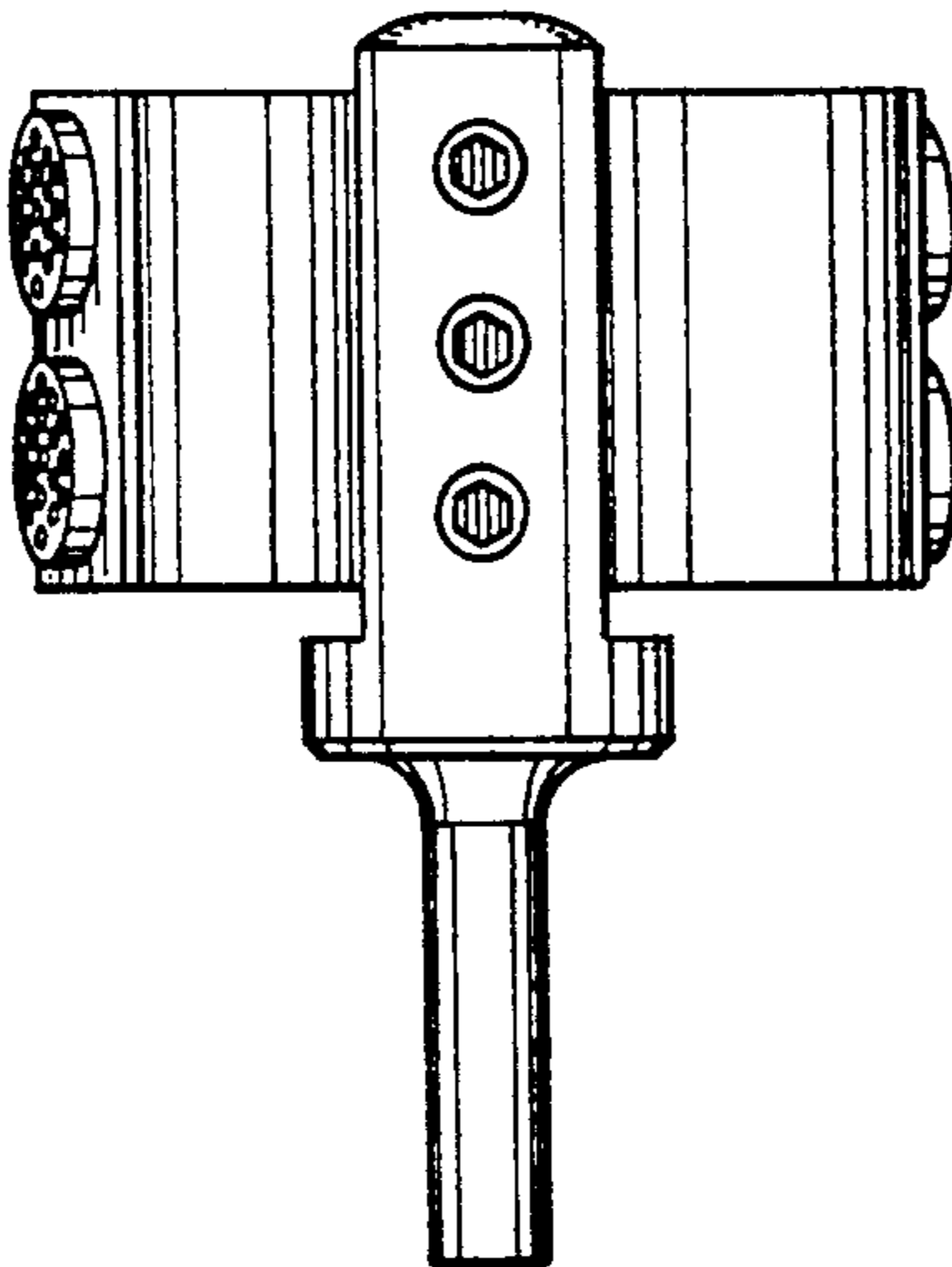
FIG. 5 is a top plan view of a modified form for the grinding tool shown in FIG. 1, the bottom plan view being a mirror image thereof;

FIG. 6 is a front elevational view thereof;

FIG. 7 is a rear elevational view thereof; and,

FIG. 8 is a side elevational view taken from the left side of FIG. 5, the right side elevational view being a mirror image thereof.

Primary Examiner—Alan P. Douglas
Assistant Examiner—Antoine D. Davis



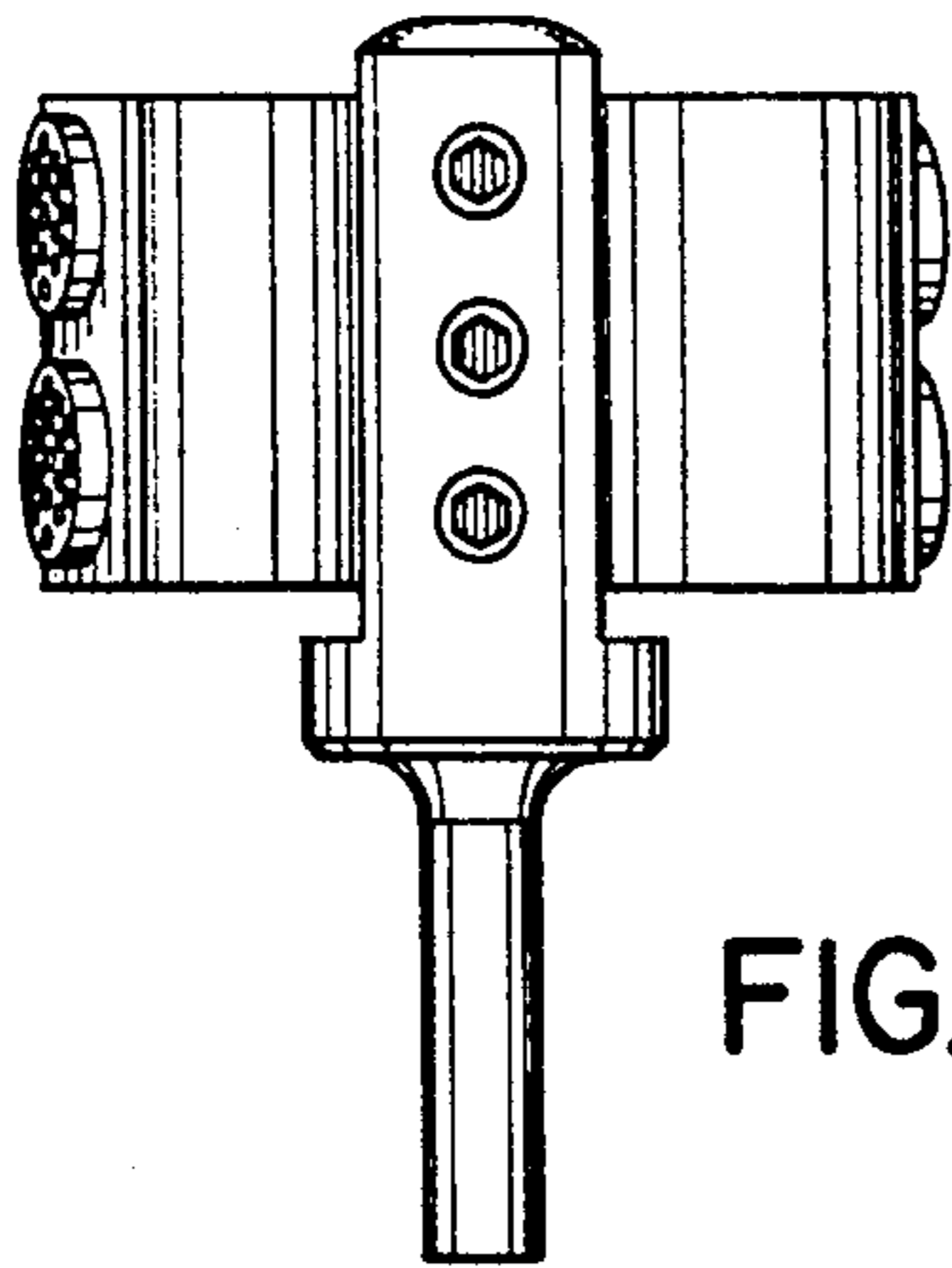


FIG. 1

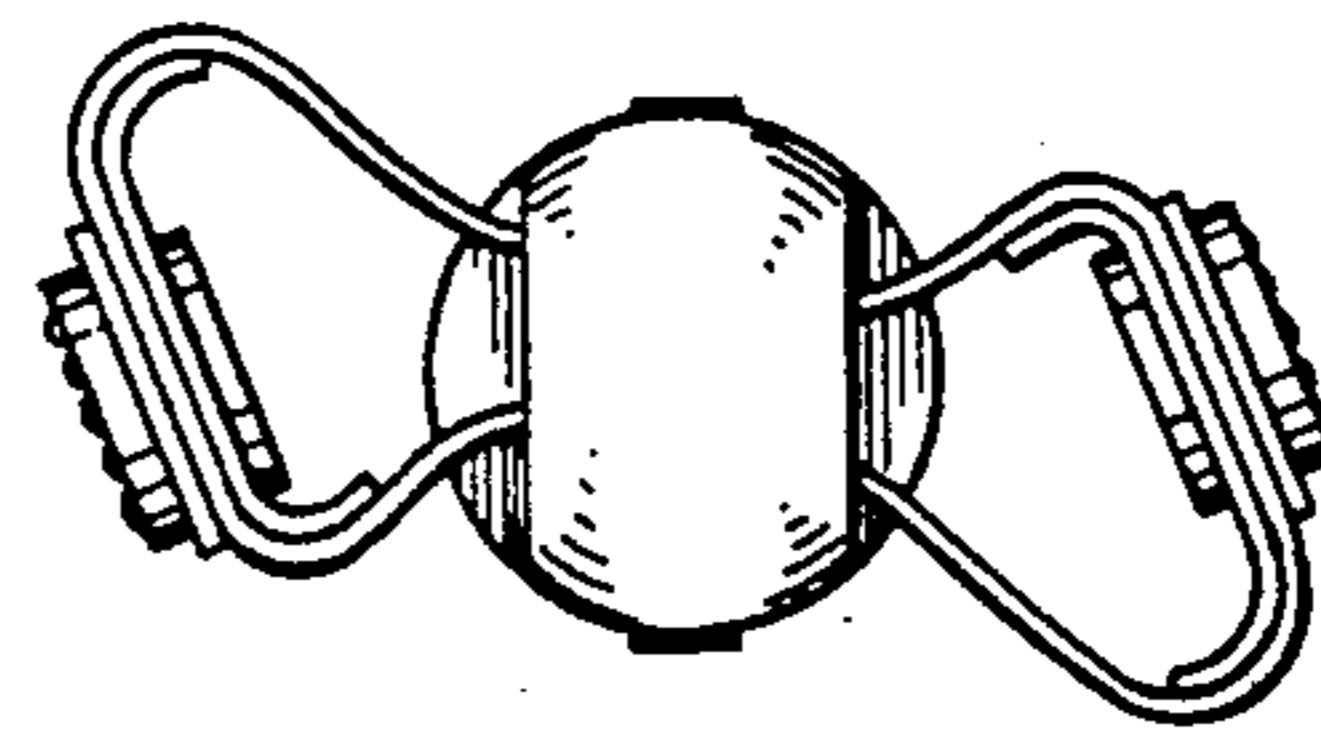


FIG. 2

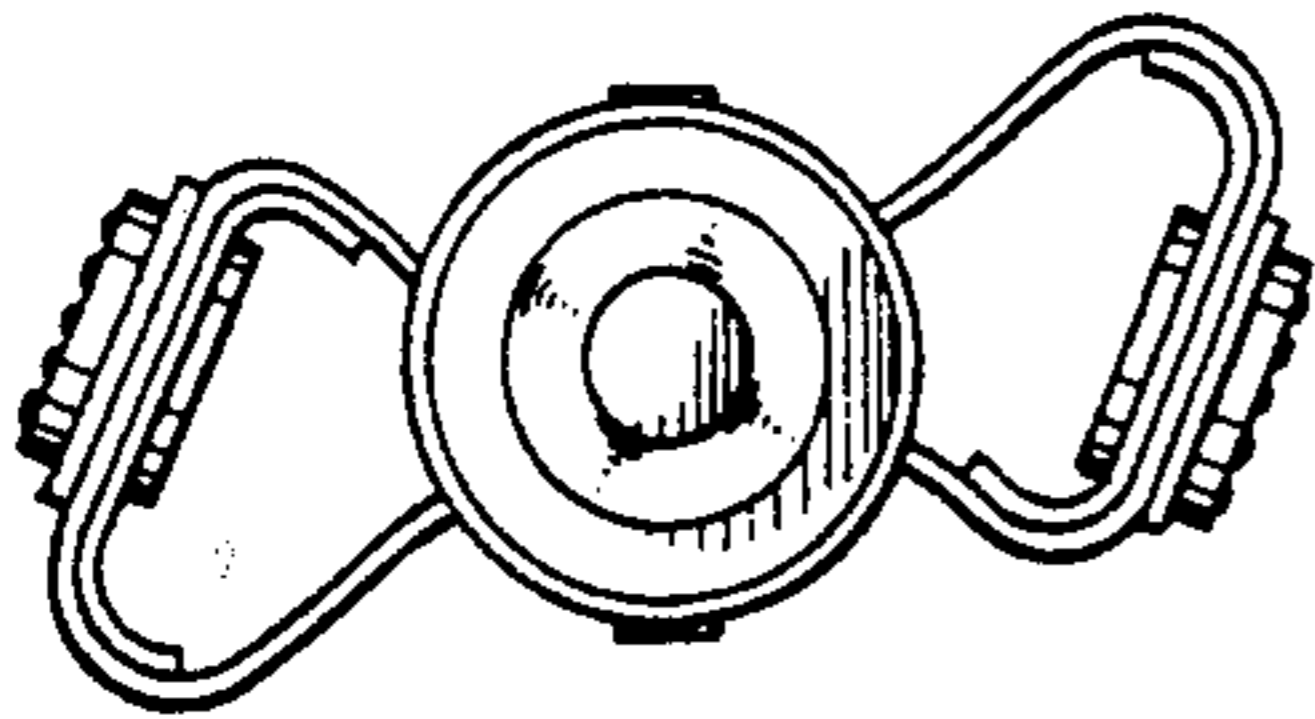


FIG. 3

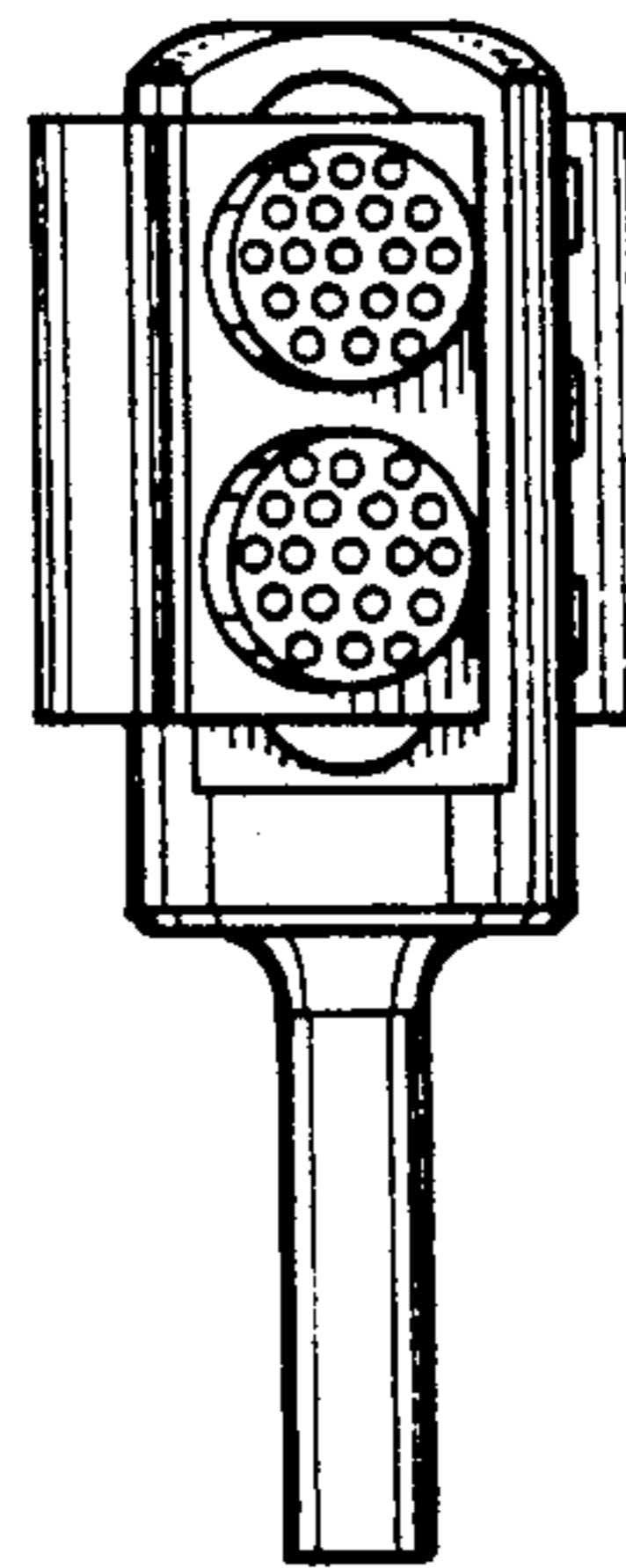


FIG. 4

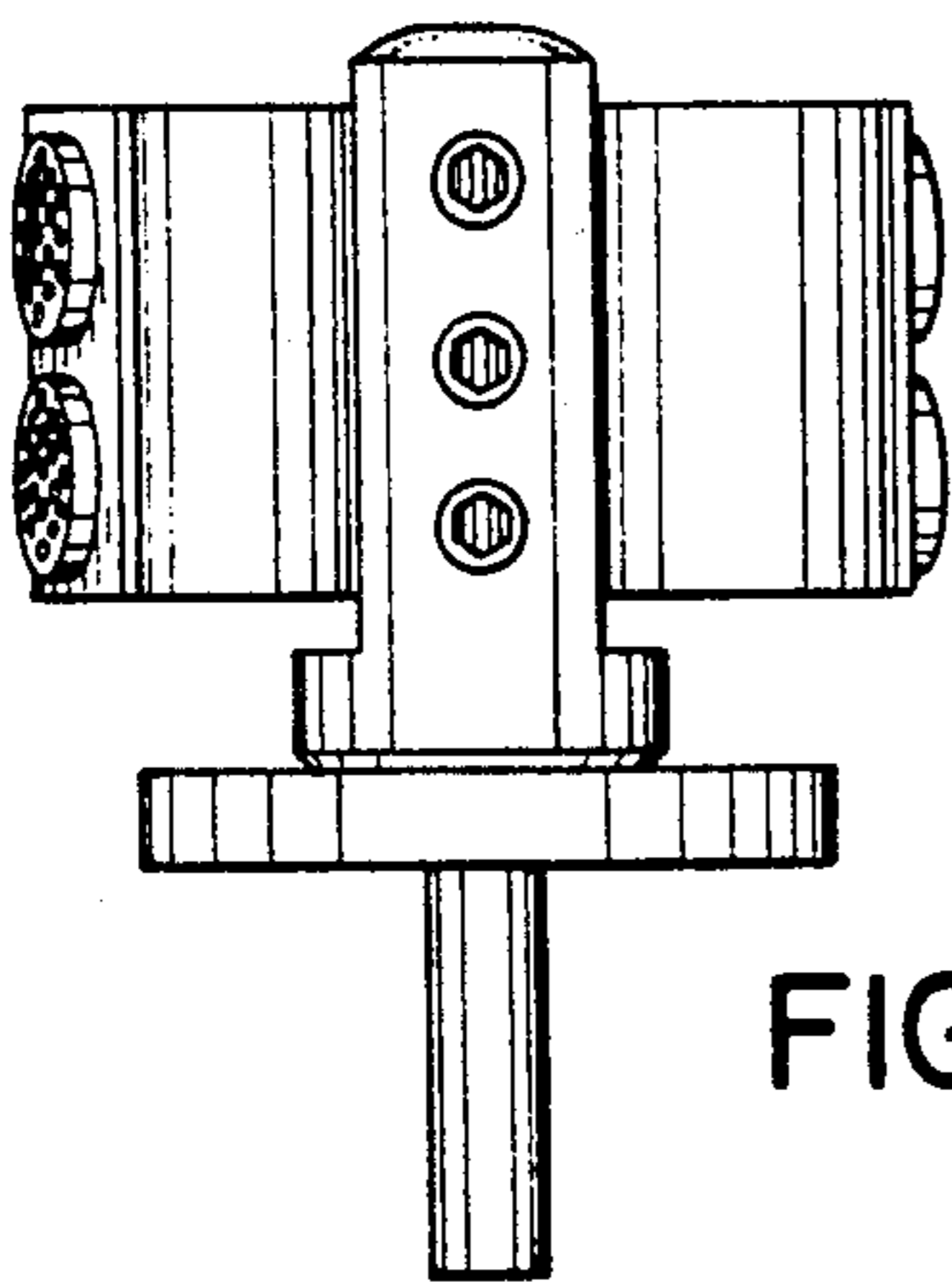


FIG. 5

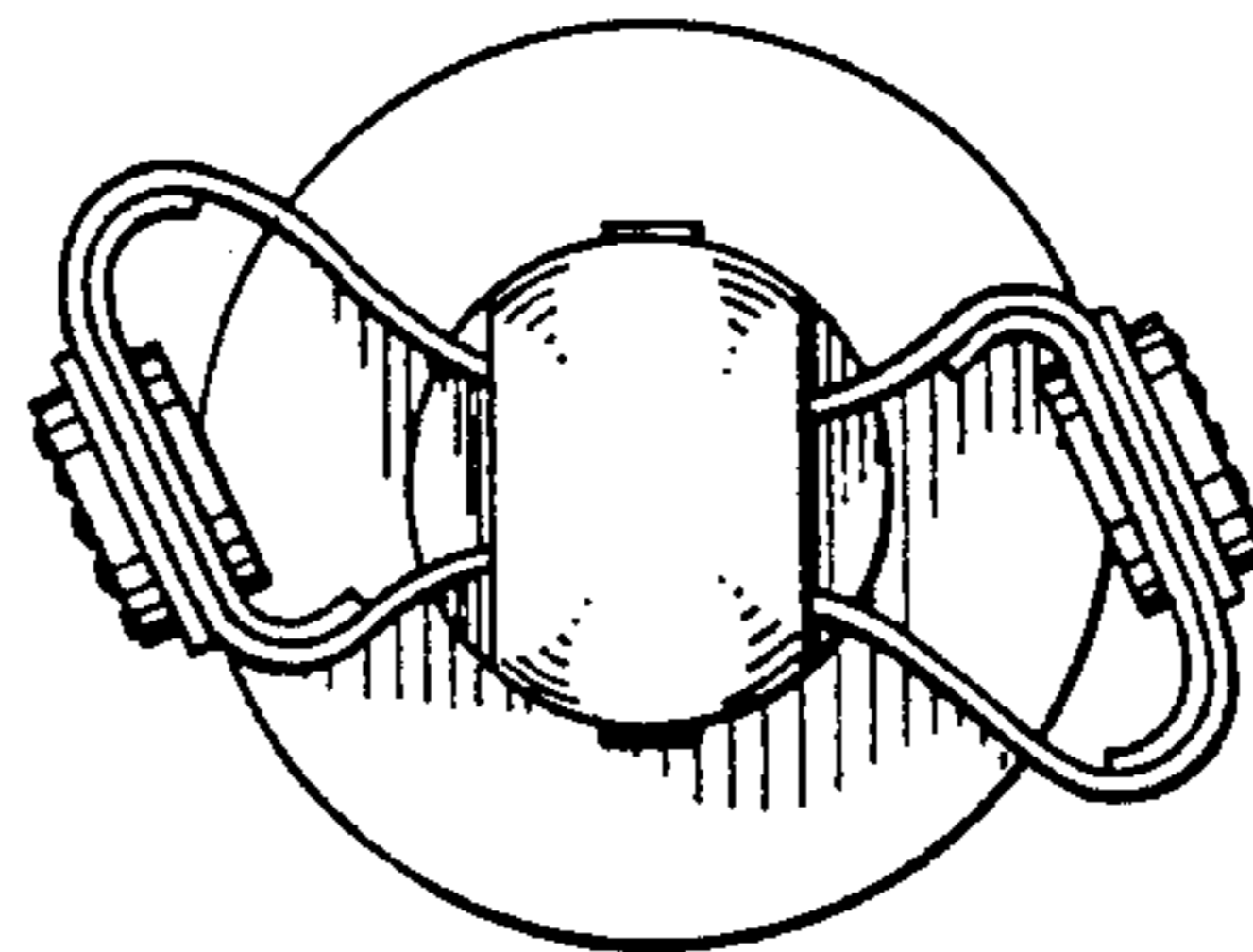


FIG. 6

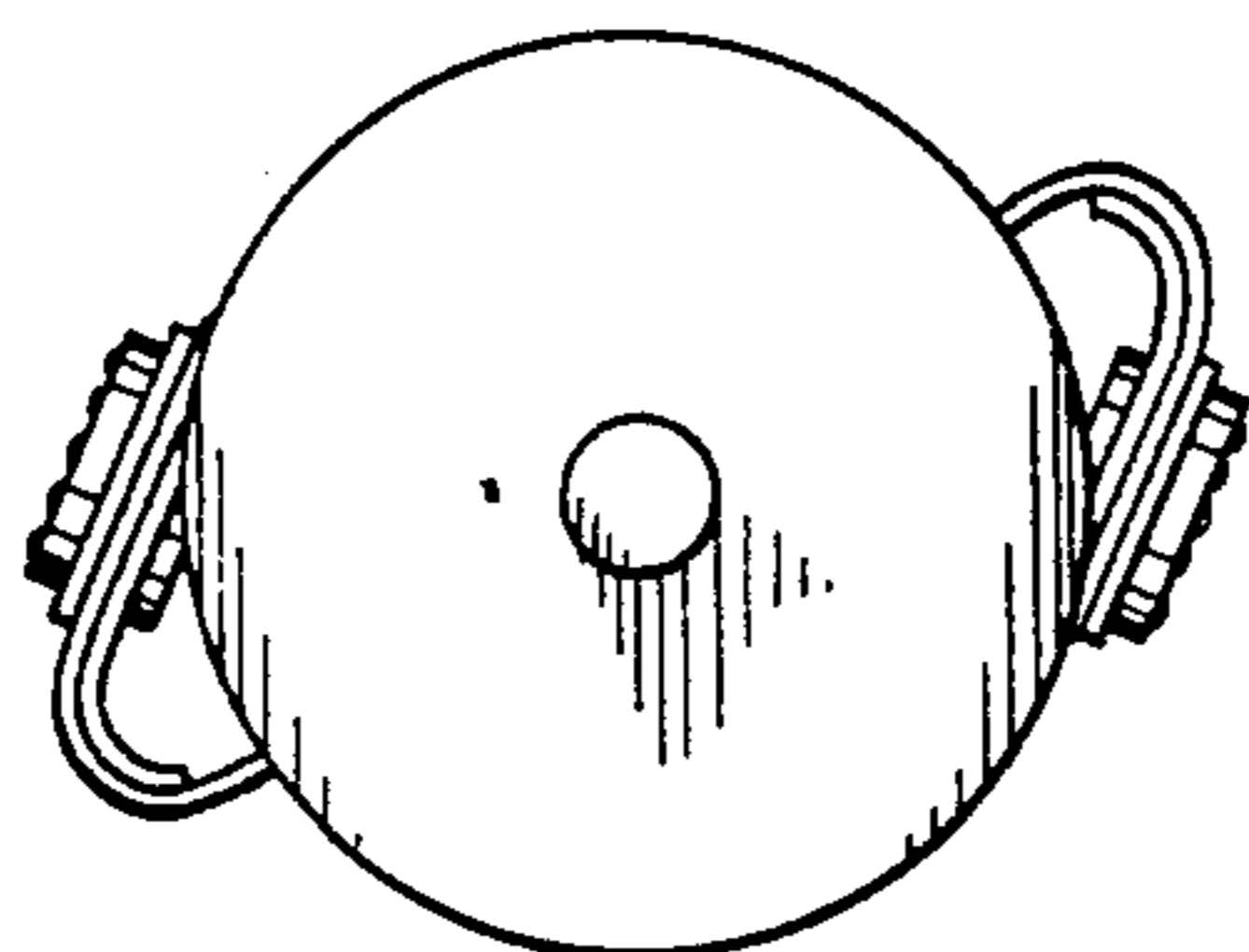


FIG. 7

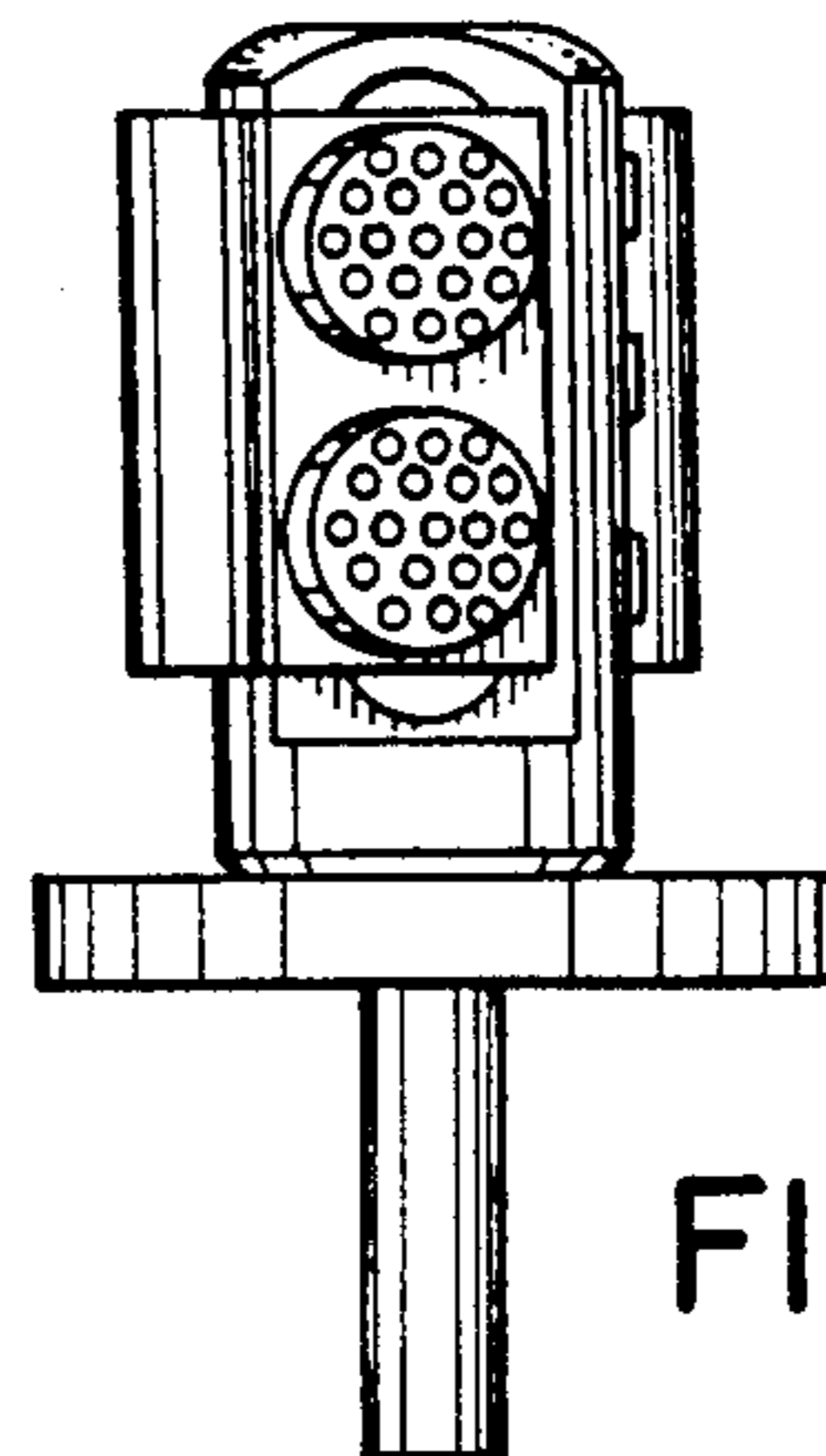


FIG. 8