



US00D339811S

# United States Patent [19]

[11] Patent Number: **Des. 339,811**

Price

[45] Date of Patent: **\*\* Sep. 28, 1993**

[54] **BELT GRINDING DEVICE**

[75] Inventor: **John L. Price, Mortdale**

[73] Assignee: **P.A. Products Pty. Ltd., Australia**

[\*\*] Term: **14 Years**

[21] Appl. No.: **718,814**

[22] Filed: **Jun. 21, 1991**

[30] **Foreign Application Priority Data**

Dec. 21, 1990 [AU] Australia ..... 4150/90

[52] U.S. Cl. .... **D15/123**

[58] Field of Search ..... **D15/122, 123;**  
**51/135 R-148, 135 BT; D8/62**

[56] **References Cited**

**U.S. PATENT DOCUMENTS**

- D. 265,172 6/1988 Fleckenstein et al. .... D8/62
- D. 321,465 11/1991 Mikiya ..... D8/62
- 3,229,424 1/1966 Fairchok ..... 51/148

- 3,611,646 10/1971 Cameron et al. .... 51/148 X
- 4,603,510 8/1986 Rasmussen ..... 51/148
- 4,651,473 3/1987 Zampini, Jr. .... 51/148 X
- 4,977,708 12/1990 Kloft ..... 51/148 X
- 5,133,156 7/1992 Arms et al. .... 51/148 X

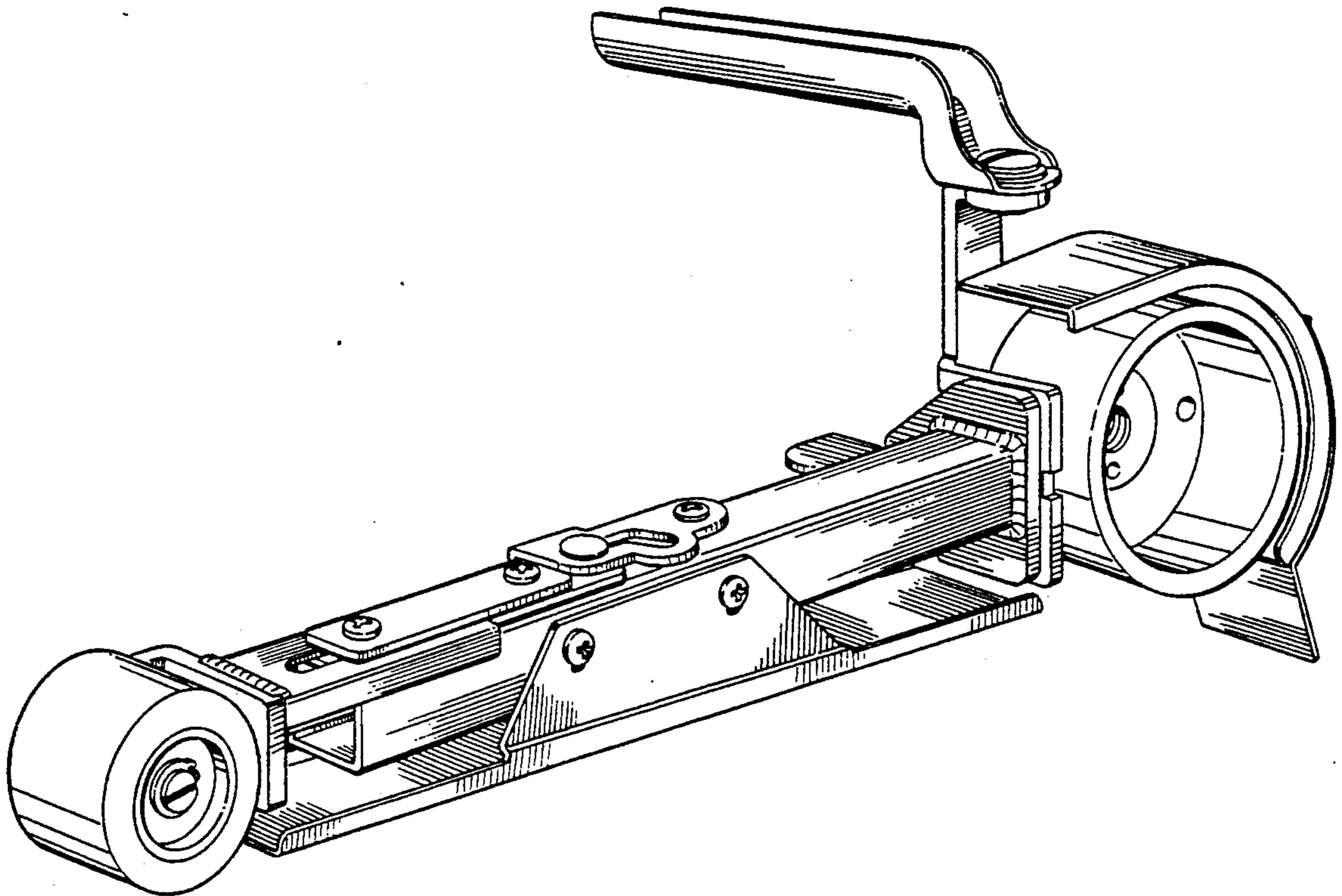
*Primary Examiner*—Alan P. Douglas  
*Assistant Examiner*—Antoine E. Davis

[57] **CLAIM**

The ornamental design for a belt grinding device, as shown and described.

**DESCRIPTION**

FIG. 1 is a perspective view of a belt grinding device according to my design;  
FIG. 2 is a left side view of the design of FIG. 1;  
FIG. 3 is a front view of the design of FIG. 1;  
FIG. 4 is a rear view of the design of FIG. 1;  
FIG. 5 is a plan view of the design of FIG. 1;  
FIG. 6 is a right side view of the design of FIG. 1; and,  
FIG. 7 is an inverted plan view of the design of FIG. 1.



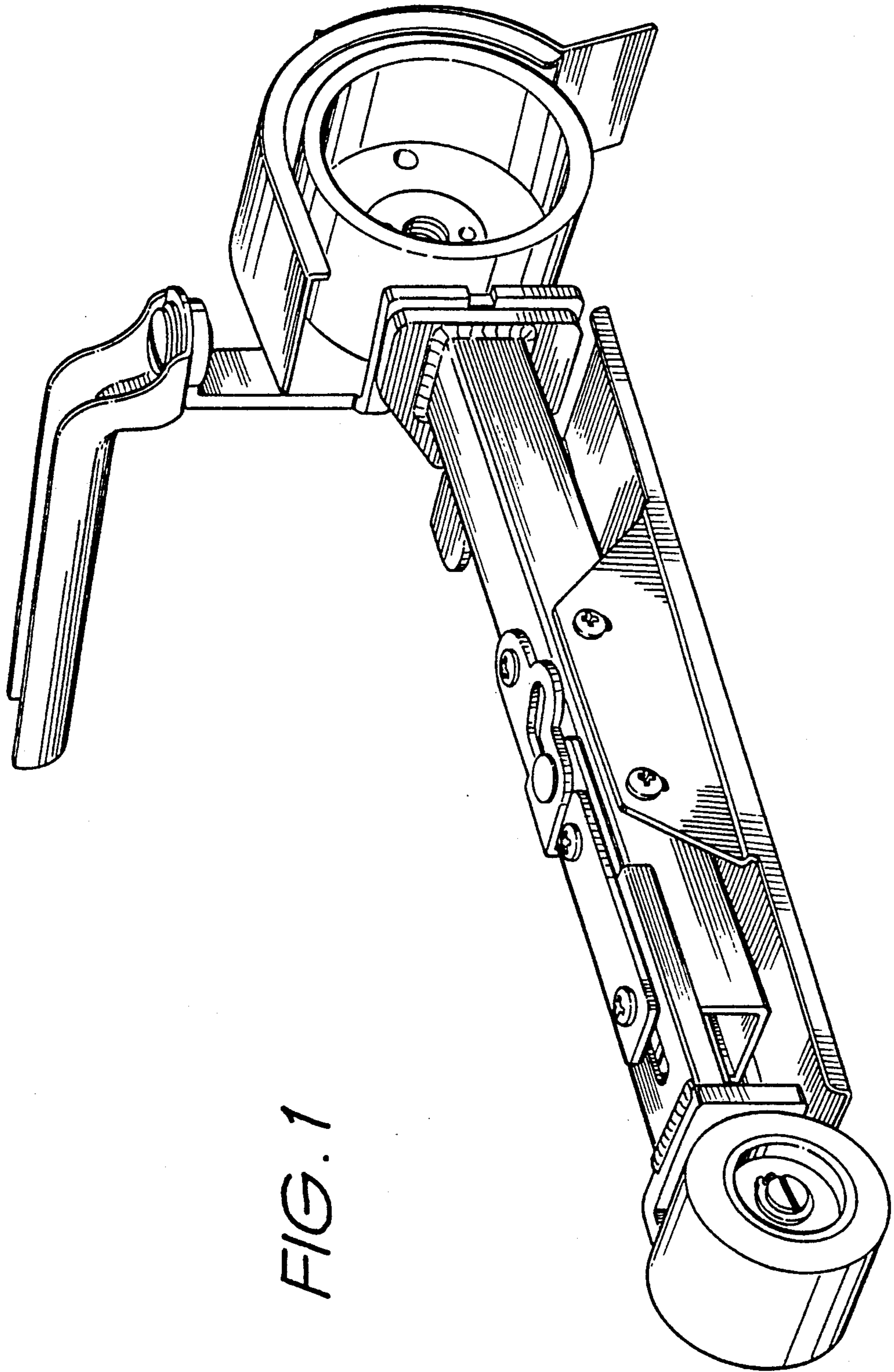


FIG. 1

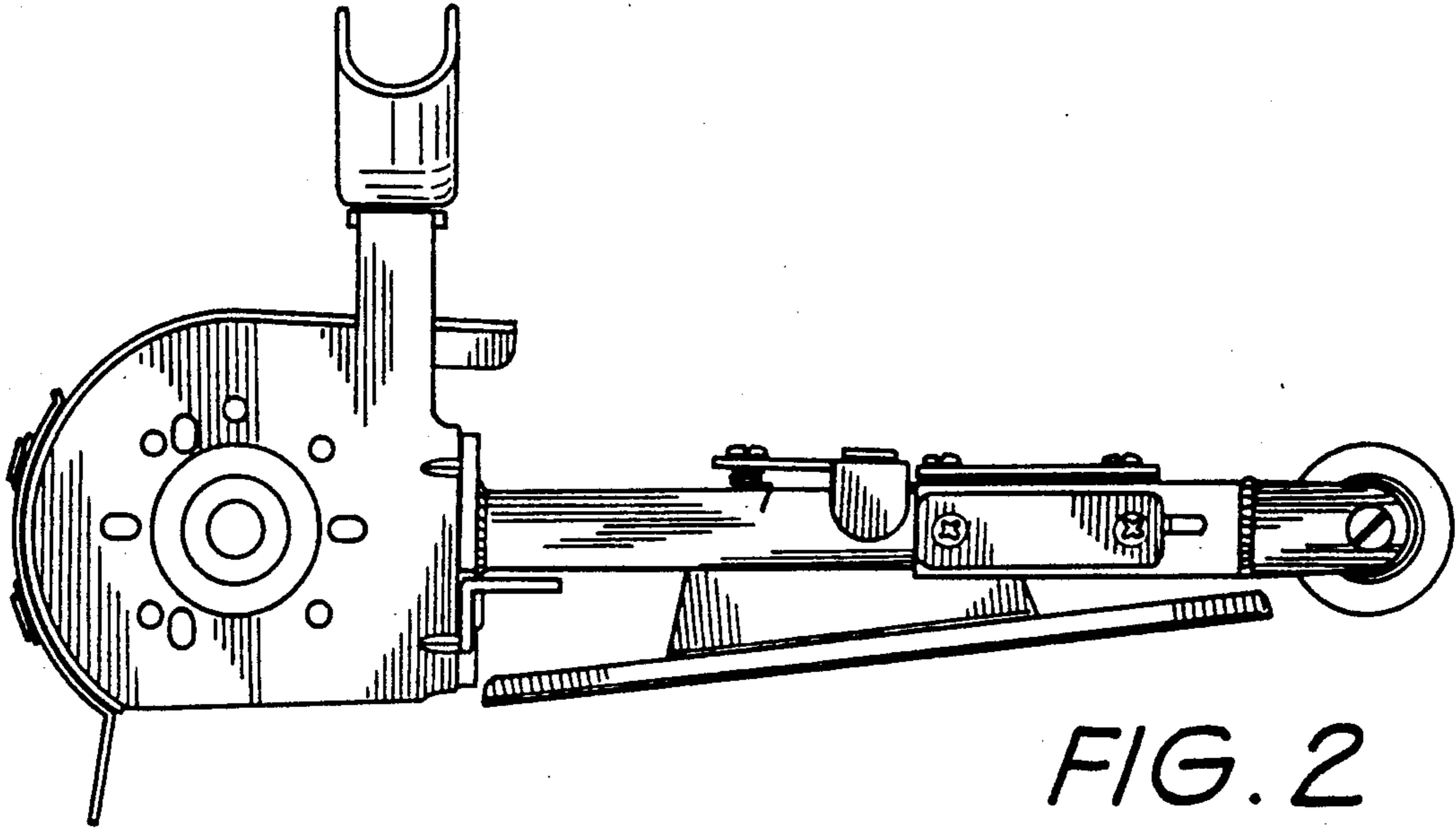


FIG. 2

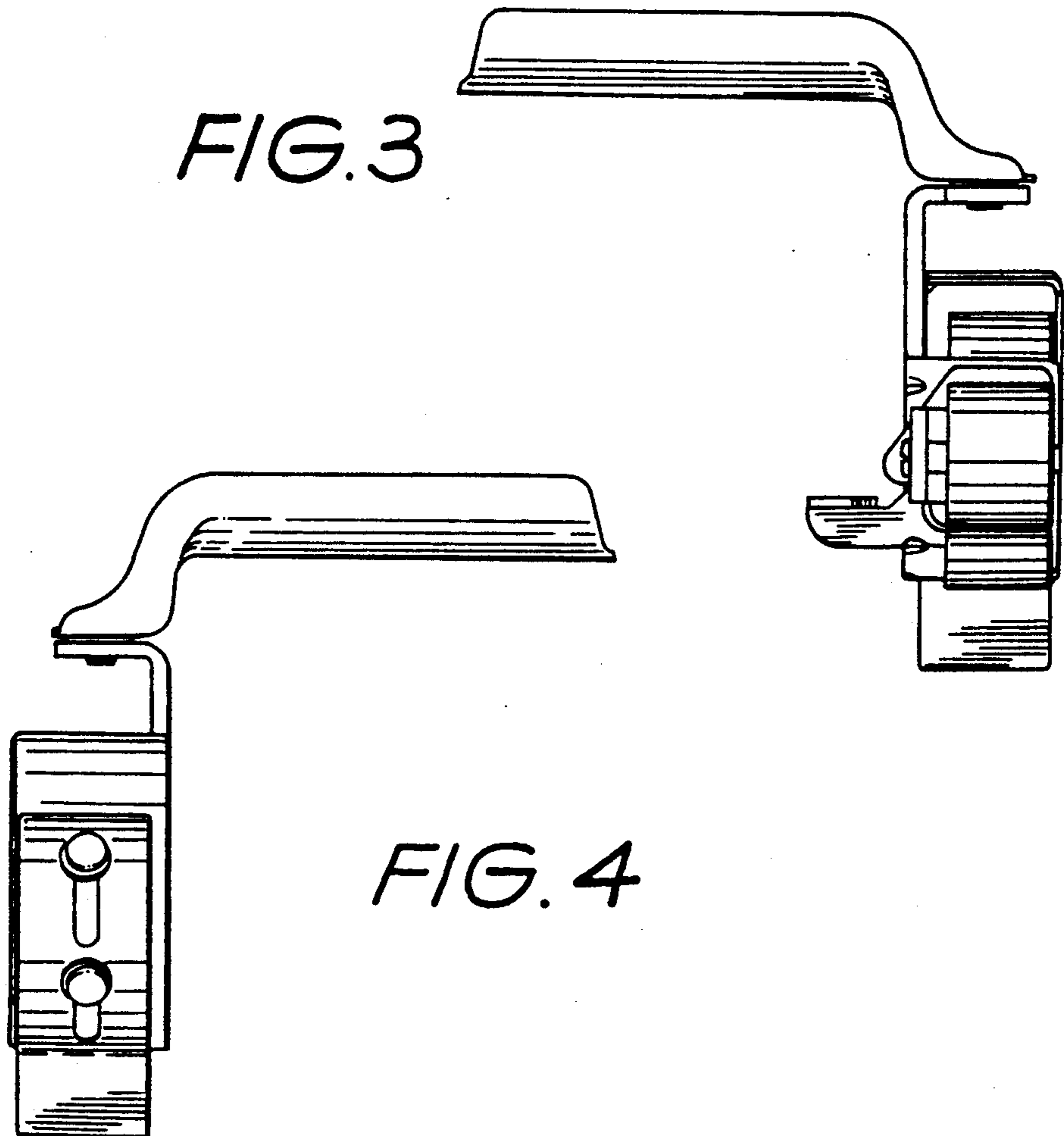


FIG. 3

FIG. 4

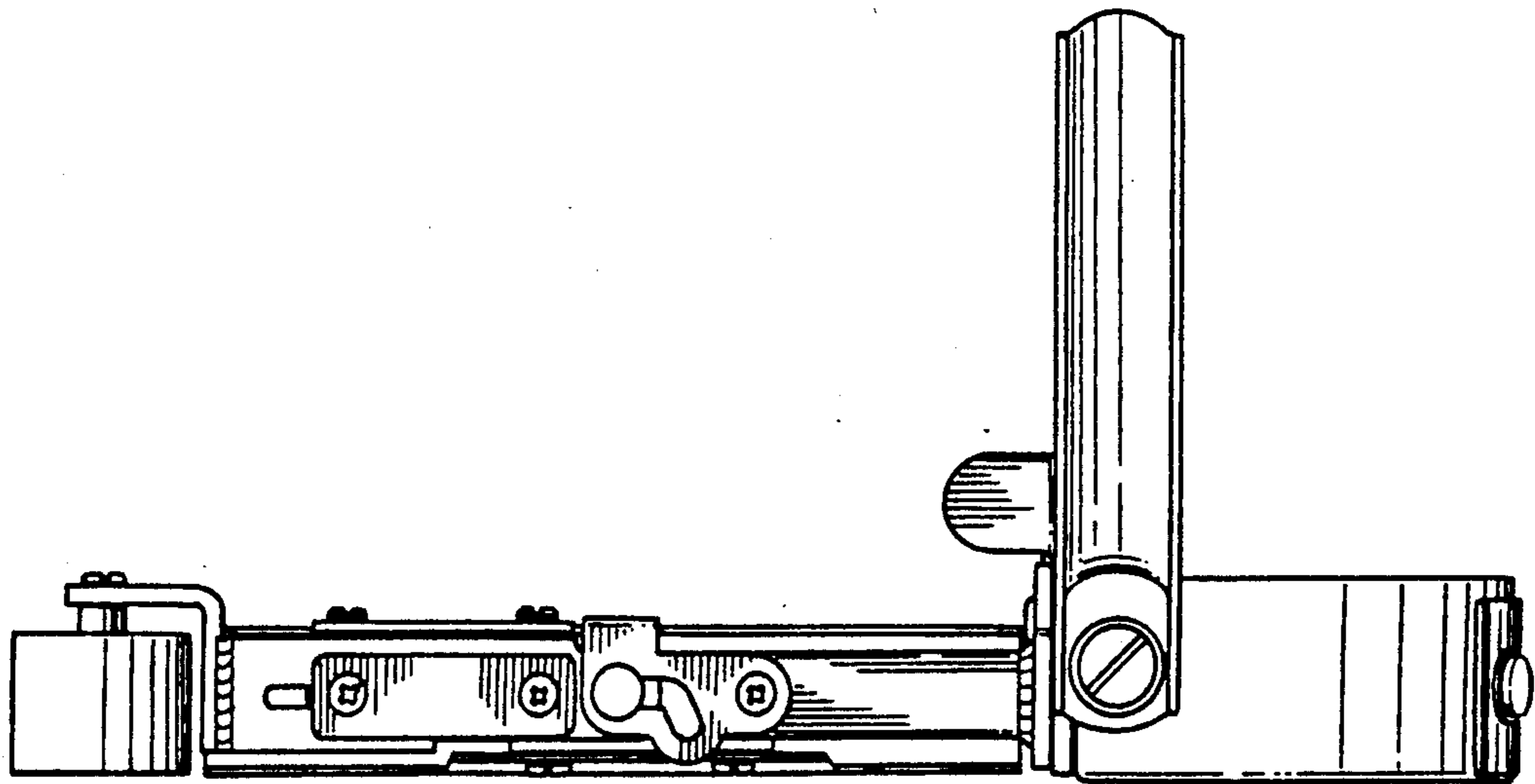


FIG. 5

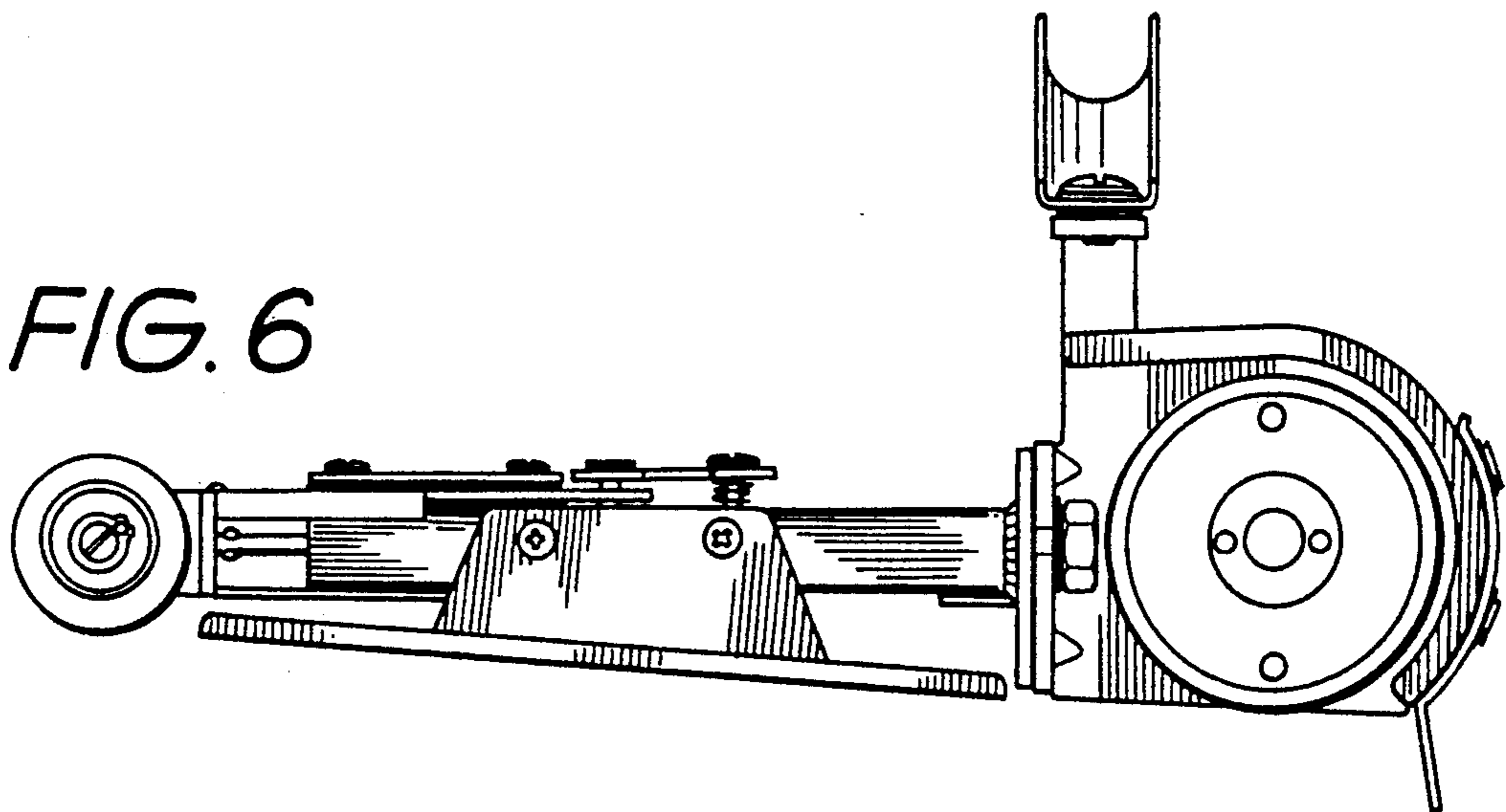


FIG. 6

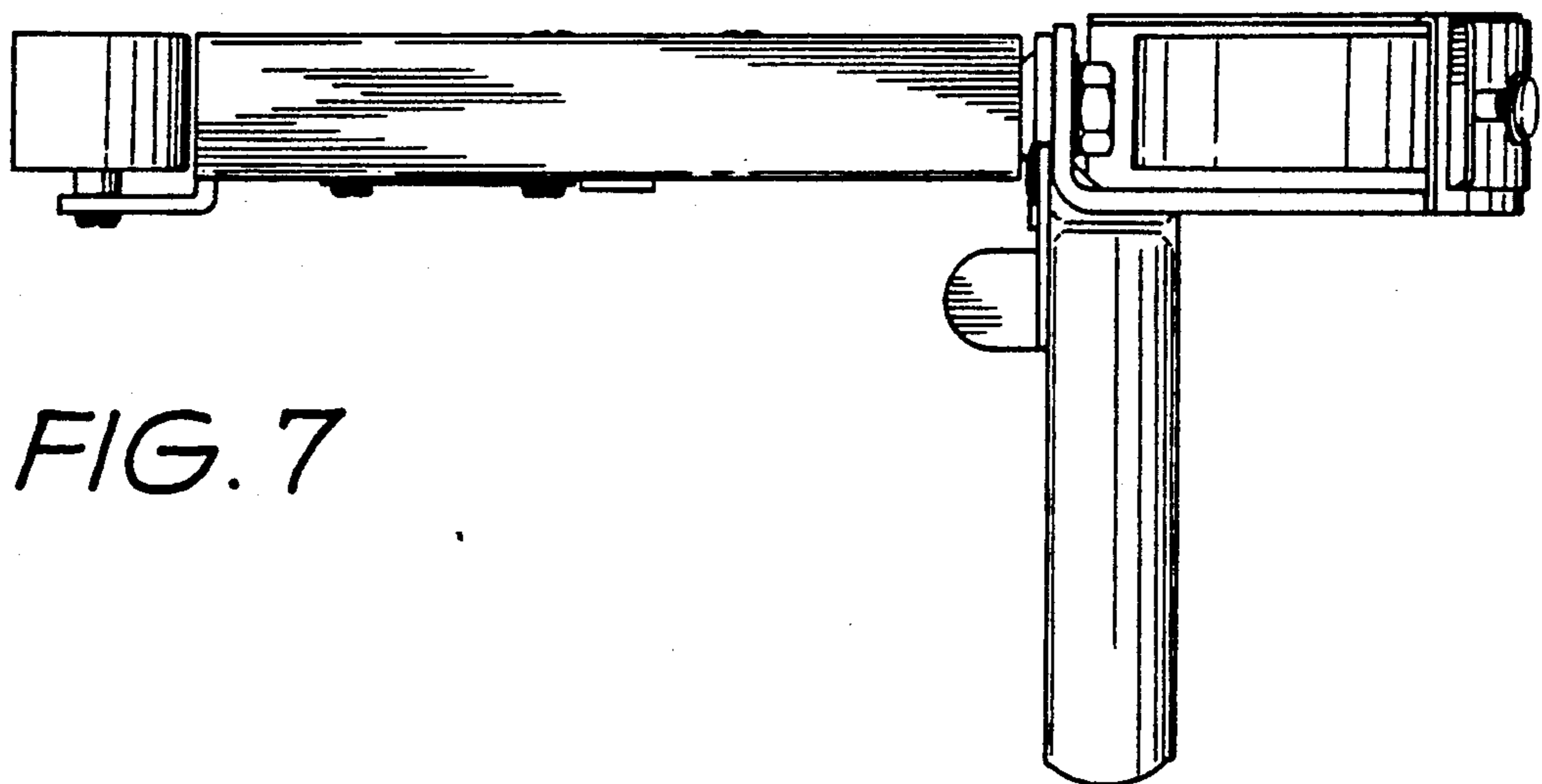


FIG. 7