



US00D339807S

United States Patent [19]

[11] Patent Number: **Des. 339,807**

Tattari et al.

[45] Date of Patent: **** Sep. 28, 1993**

[54] **CARD READER FOR A MOBILE PHONE**

[75] Inventors: **Jouko Tattari, Salo; Jouko Kotitalo, Marttila, both of Finland**

[73] Assignee: **Nokia Mobile Phones Ltd., Salo, Finland**

[**] Term: **14 Years**

[21] Appl. No.: **812,373**

[22] Filed: **Dec. 20, 1991**

[30] **Foreign Application Priority Data**

Jul. 5, 1991 [FI] Finland 561/91

[52] U.S. Cl. **D14/240; D14/105**

[58] Field of Search **D14/100, 105, 107, 114, D14/117, 140, 146, 240, 256; D13/184, 133; 379/442, 441, 443, 447, 457, 91, 63**

[56] **References Cited**

U.S. PATENT DOCUMENTS

- D. 293,241 12/1987 Wan et al. D14/100
- D. 295,413 4/1988 Nakamura et al. D14/105 X
- D. 298,944 12/1988 Stark et al. D14/105

- D. 306,015 2/1990 Pulio, Jr. et al. D14/146 X
- D. 314,746 2/1991 Benjamin et al. D13/133
- D. 327,877 7/1992 Martin D14/105
- 4,290,664 9/1981 Davis et al. 379/442 X
- 4,587,379 5/1986 Masuda 379/91
- 4,860,336 8/1989 D'avello et al. D14/146 X

OTHER PUBLICATIONS

1987 B. A. Pargh Catalog, Amphenol Junction Box item 7118029TOL, p. 308.

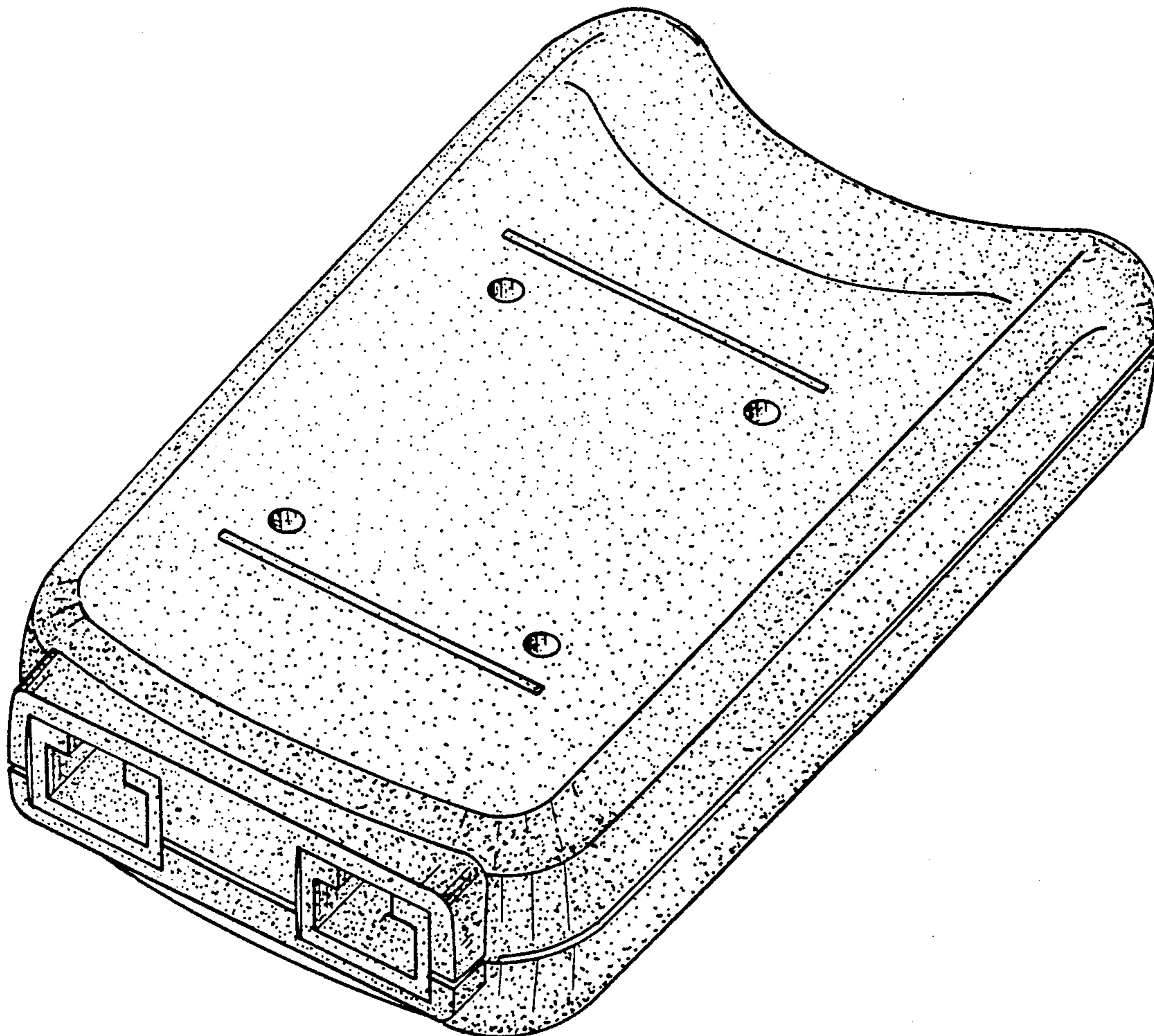
Primary Examiner—Alan P. Douglas
Assistant Examiner—Jeffrey Asch
Attorney, Agent, or Firm—Klauber & Jackson

[57] **CLAIM**

The ornamental design for a card reader for a mobile phone, as shown and described.

DESCRIPTION

FIG. 1 is a perspective view of the top side, right side and back side of a card reader for a mobile phone showing our new design; and, FIG. 2 is a perspective view of the bottom, left side and front side, thereof.



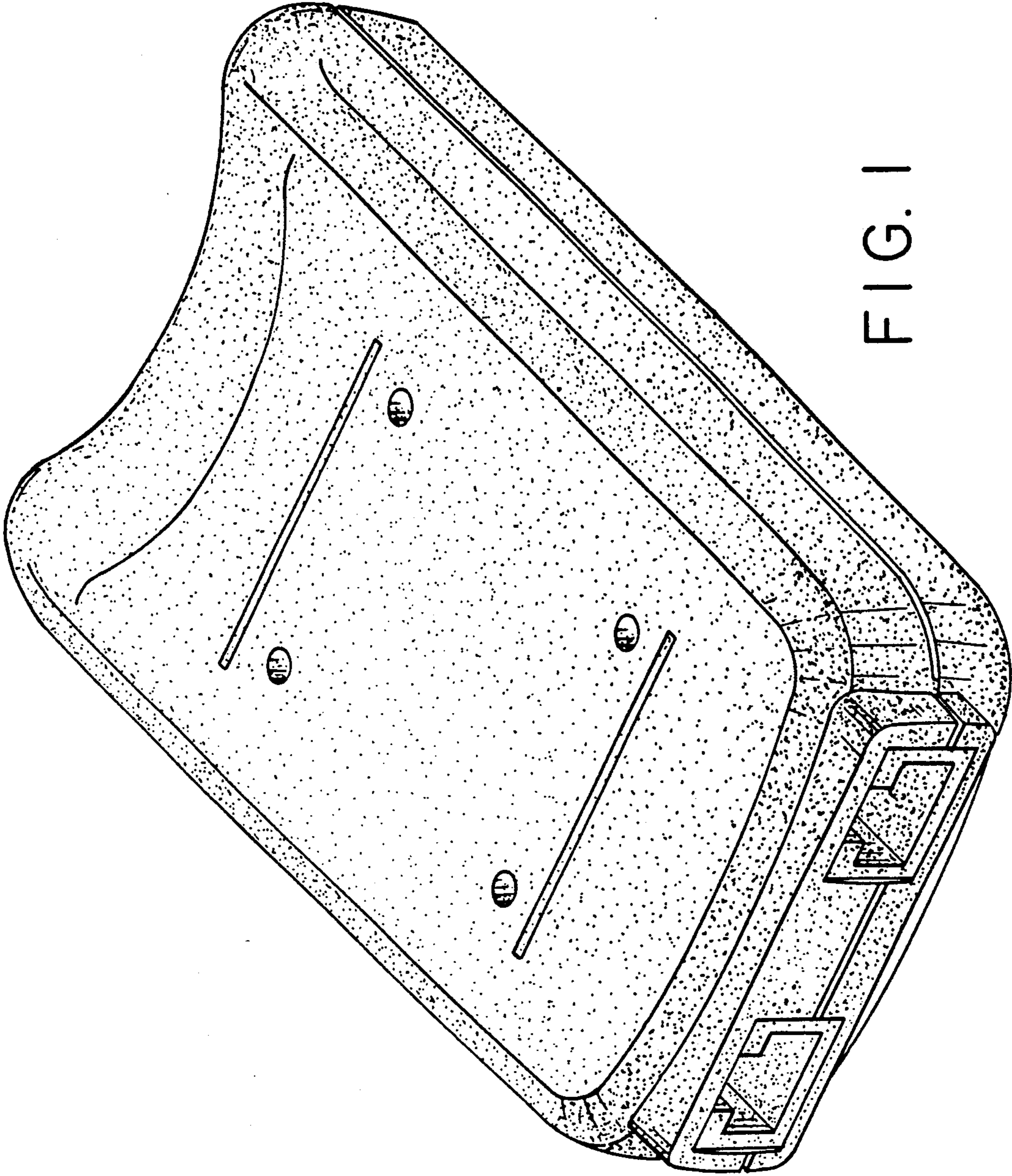


FIG. 1

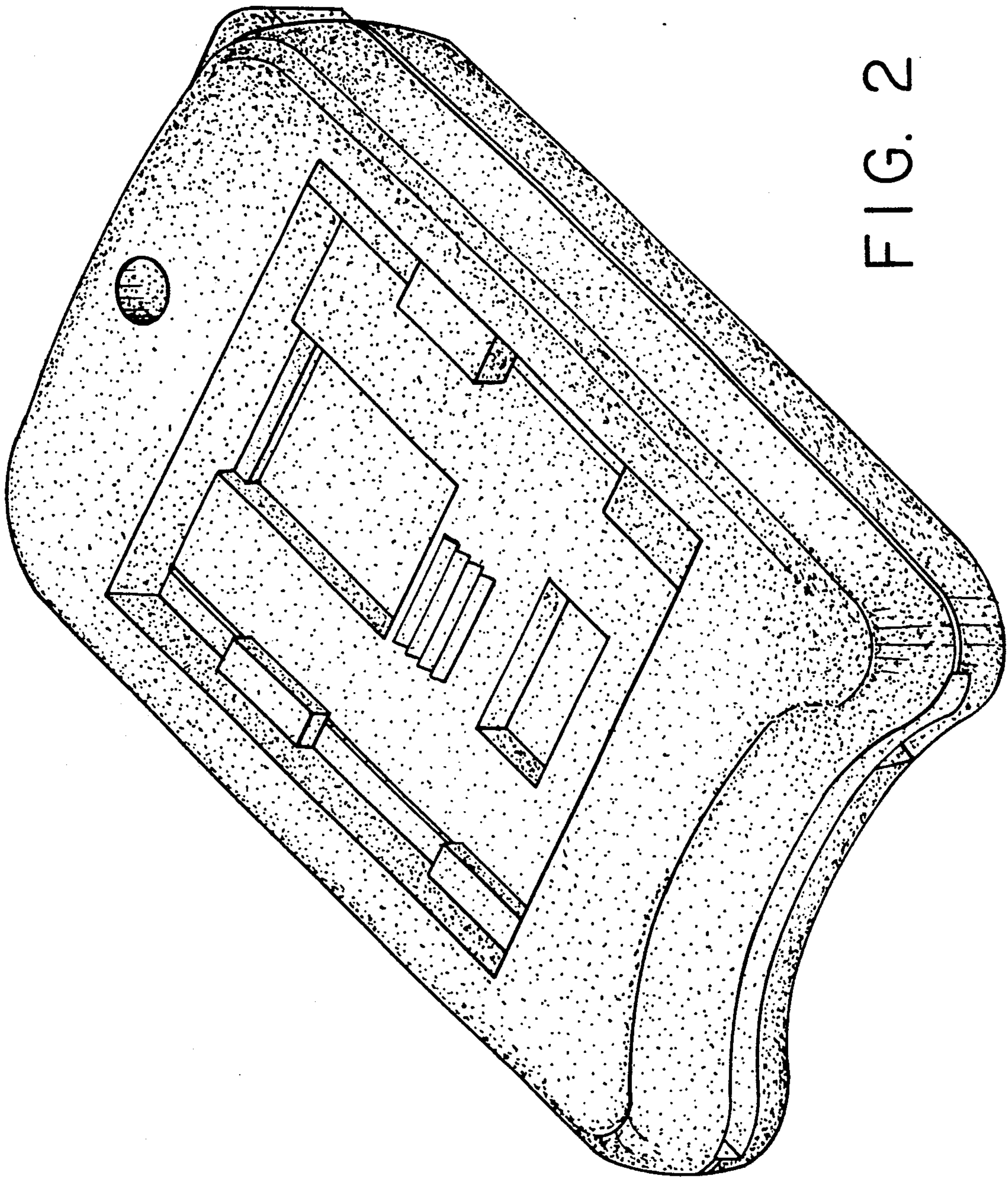


FIG. 2