



US00D339796S

United States Patent [19]

[11] Patent Number: **Des. 339,796**

Goodner et al.

[45] Date of Patent: **** Sep. 28, 1993**

[54] **COMBINED FLAT PANEL DISPLAY AND FOLDING STAND WITH USER INTERFACE CONTROL AND STYLUS THEREFOR**

[75] Inventors: **Douglas Goodner, Charlotte, N.C.; Sam Lucente, Stamford, Conn.; Kazuhiko Yamazaki, Hiratuka, Japan**

[73] Assignee: **International Business Machines Corporation, Armonk, N.Y.**

[**] Term: **14 Years**

[21] Appl. No.: **694,272**

[22] Filed: **Apr. 30, 1991**

[52] U.S. Cl. **D14/113**

[58] Field of Search **D14/100, 101, 106, 113, D14/114; 340/700, 706, 711, 712; 178/18, 19; 364/706-708; 361/390, 394; 248/917-924; 33/443; 358/254**

[56] **References Cited**

U.S. PATENT DOCUMENTS

D. 276,199	1/1984	Kwiecinski et al.	D6/420
D. 294,262	2/1988	Thies et al.	D14/113
D. 303,661	9/1989	Manabe et al.	D14/113
D. 310,521	9/1990	Leung	D14/114
D. 319,435	8/1991	Brown	D14/113
4,274,093	6/1981	Judge	340/712
4,310,839	1/1982	Schwerdt	340/712
4,383,486	5/1983	Reineman et al.	108/2
4,488,254	12/1984	Ward	364/900
4,528,597	7/1985	Klein et al.	358/254
4,545,023	10/1985	Mizzi	364/709
4,611,406	9/1986	Angstrom et al.	33/443
4,624,434	11/1986	Lake, Jr. et al.	248/454
4,763,356	8/1988	Day, Jr. et al.	379/368
4,849,732	7/1989	Dolenc	341/20
4,862,151	8/1989	Grauz et al.	340/706
4,927,986	5/1990	Daly	D14/113 X
4,972,496	11/1990	Sklarew	D14/100 X
5,115,330	5/1992	Nobile et al.	340/706 X

Primary Examiner—Wallace R. Burke
Assistant Examiner—Freda S. Nunn

Attorney, Agent, or Firm—Jeffrey S. LaBaw; John E. Hoel

[57] **CLAIM**

The ornamental design for the combined flat panel display and folding stand with user interface control and stylus therefor, as shown and described.

DESCRIPTION

FIG. 1 is a right front perspective view of a combined flat panel display and folding stand with user interface control and stylus therefor showing our new design; FIG. 2 is a front view of the display, the user interface control and the stylus in a first position, the folding stand being removed.

FIG. 3 is a rear view of the display and the user interface control in a first position;

FIG. 4 is a left side view of the display and the user interface control in a first position;

FIG. 5 is a top view of the display and the user interface control in a first position;

FIG. 6 is a left view of the display and the stand in a folded position;

FIG. 7 is a bottom view of the display and the stand in a folded position;

FIG. 8 is a right side view of the display and the stand in a folded position on a reduced scale;

FIG. 9 is a right side view of the display and the stand in a slanted position;

FIG. 10 is a right side view of the display and the stand in an upright position with a keyboard shown in broken lines for illustrative purposes only and forms no part of the claimed design;

FIG. 11 is a right perspective view of the stand shown separately for clarity of illustration only;

FIG. 12 is a right perspective view of the display, the stand and the user interface control in a second position;

FIG. 13 is a right perspective view of the display, the stand and the interface control in a third position; and,

FIG. 14 is a right perspective view of the display, the stand and the user interface control in a first position, and the stylus inserted in a pocket in the user interface control.

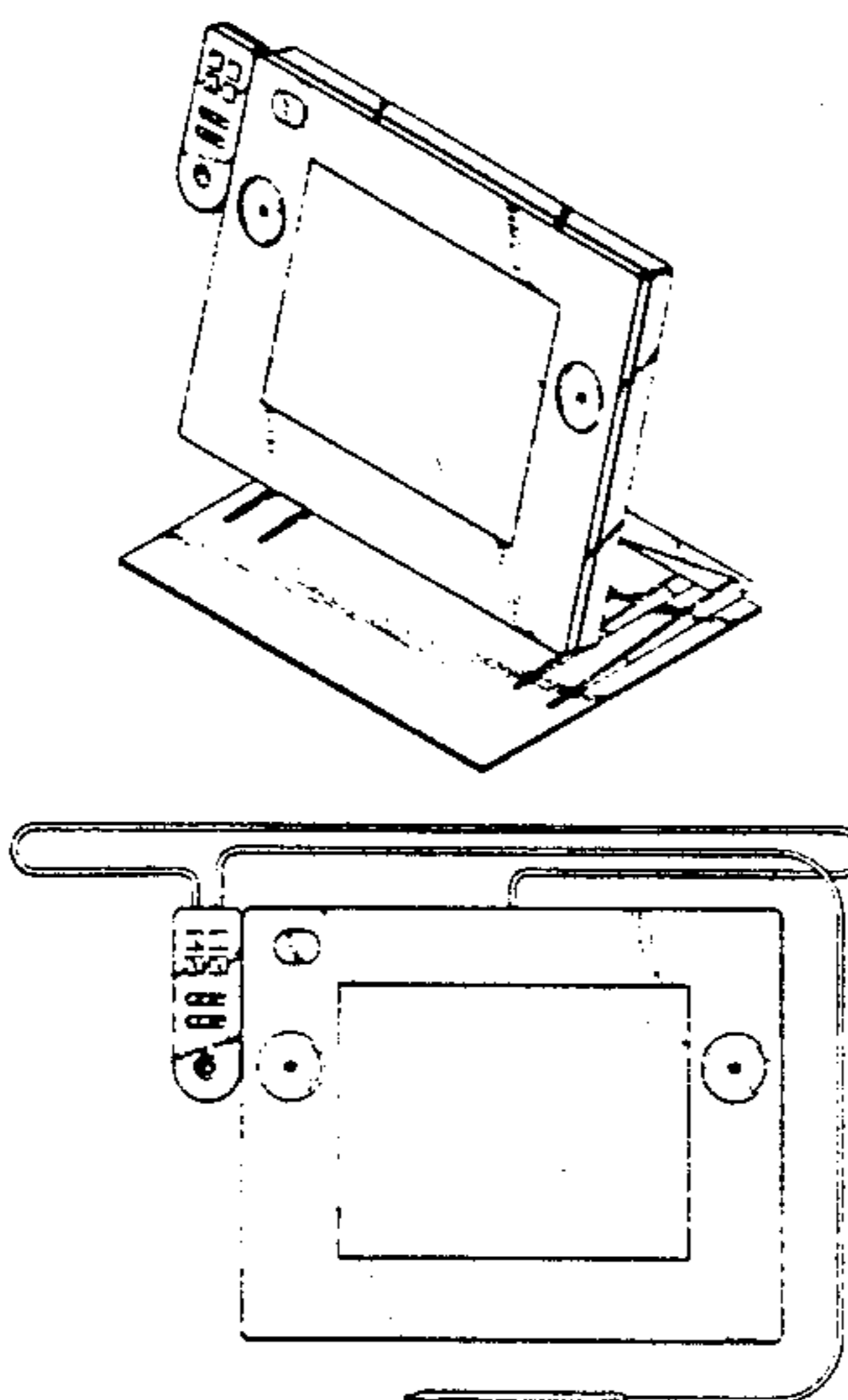


FIG. 1

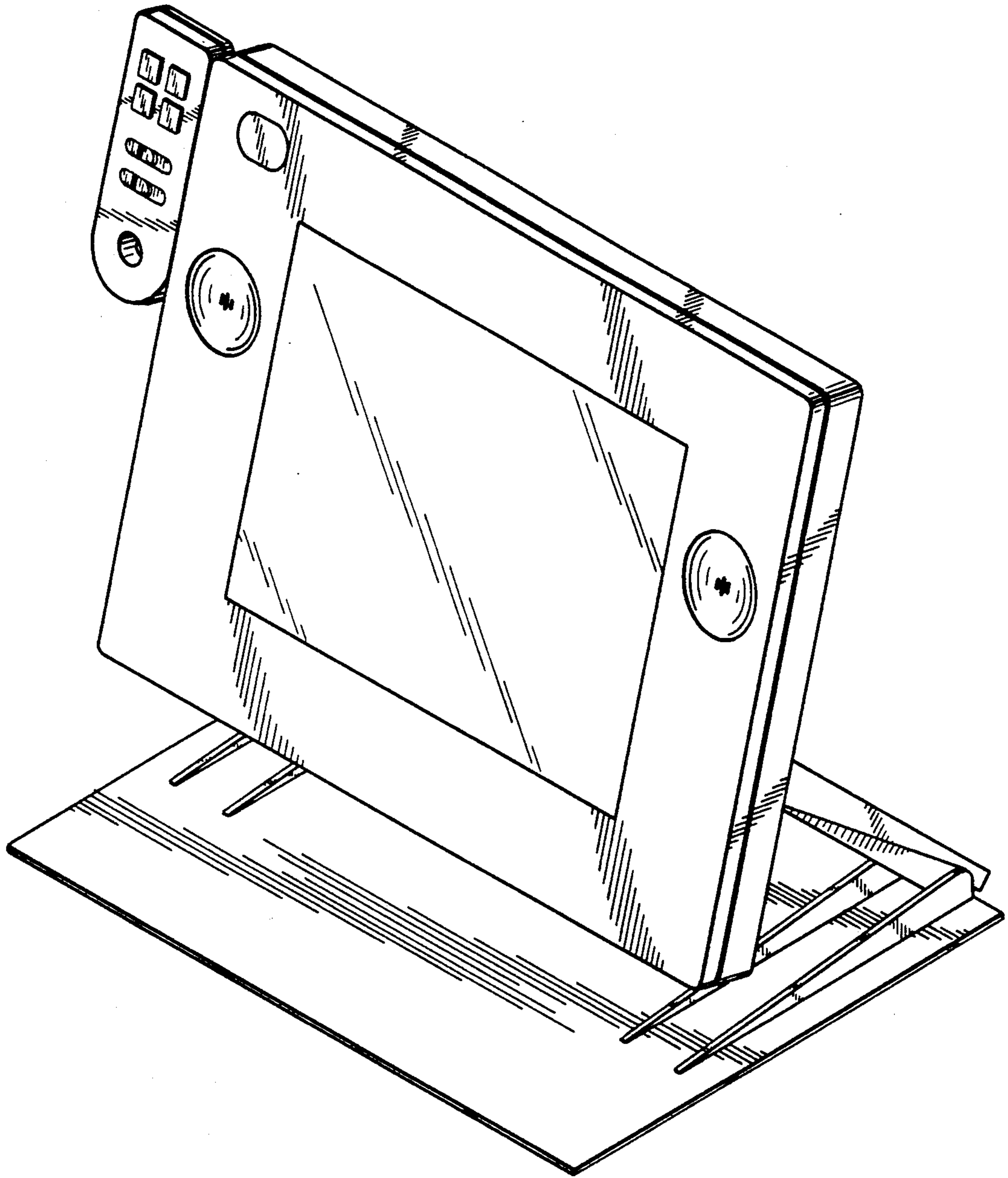


FIG. 2

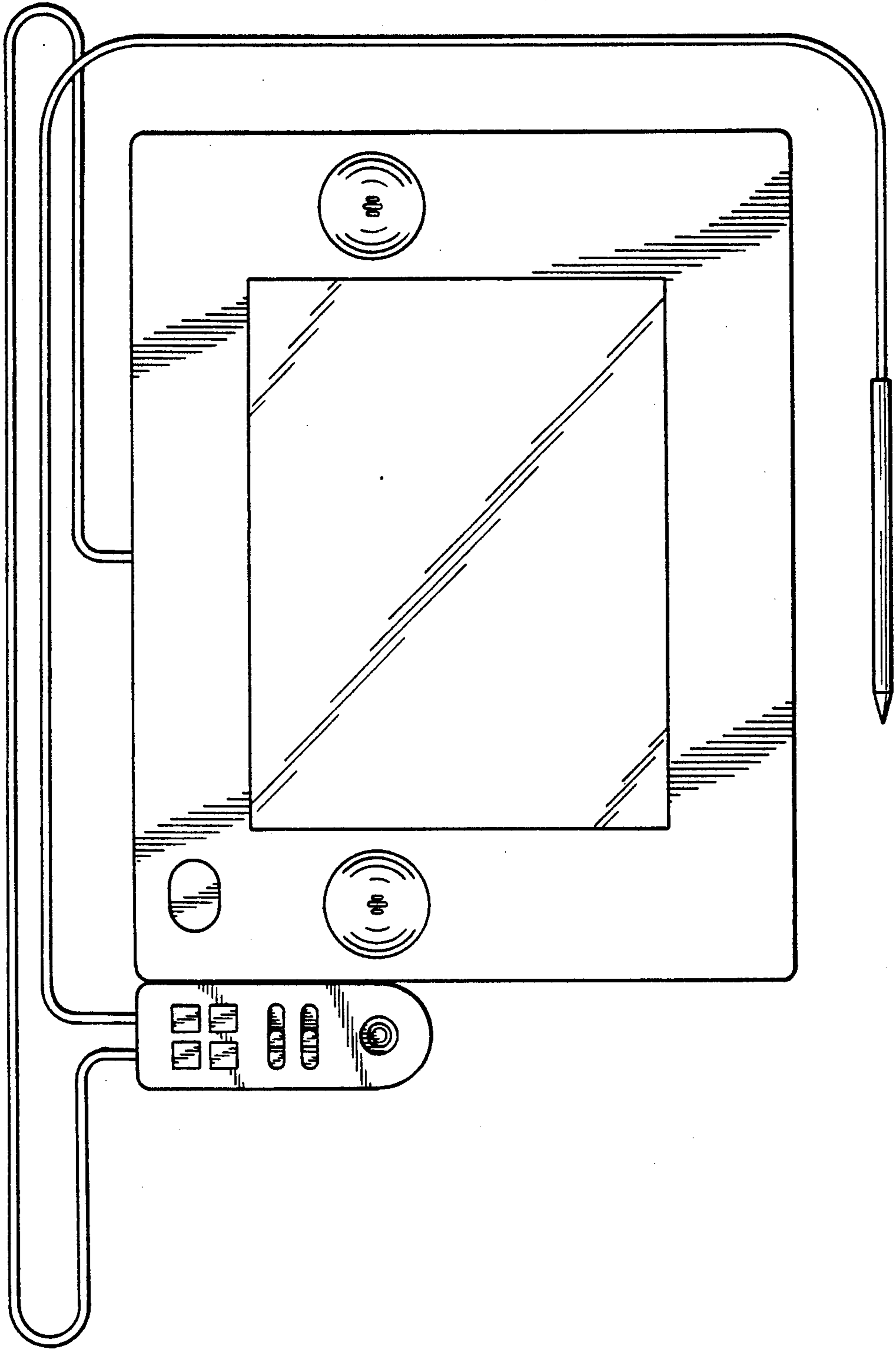


FIG. 3

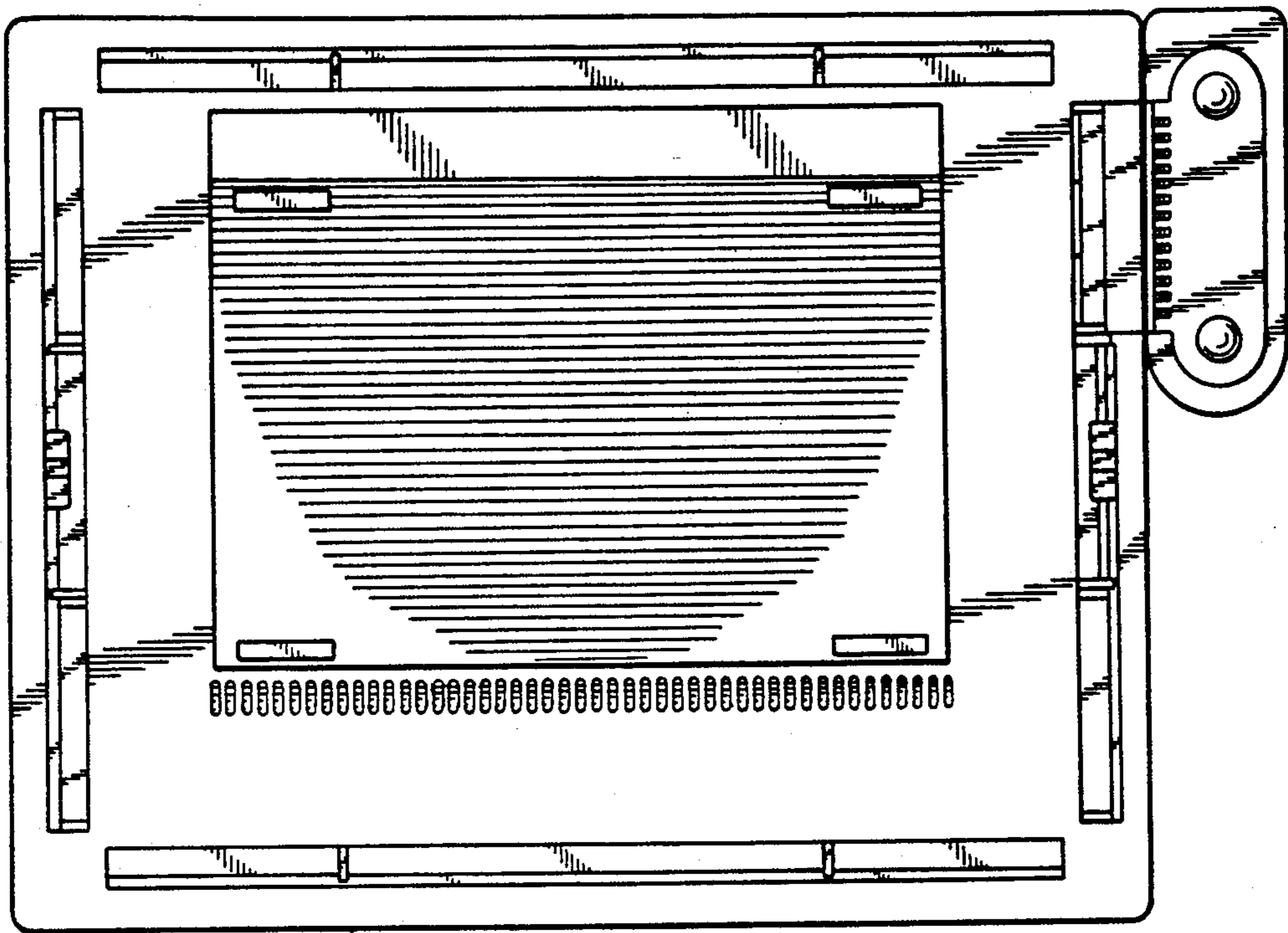


FIG. 4

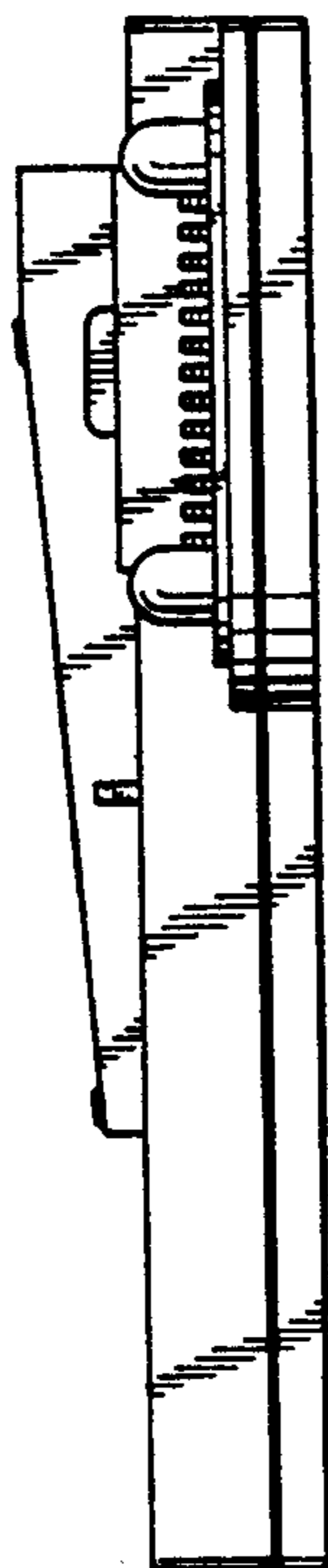


FIG. 5

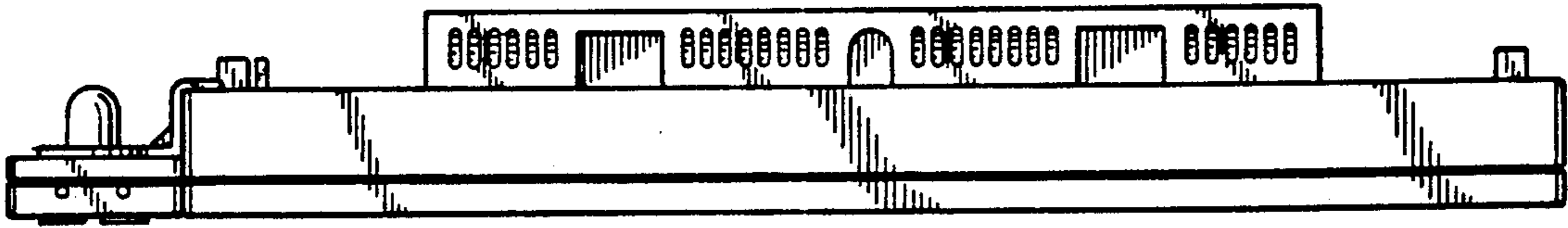


FIG. 6

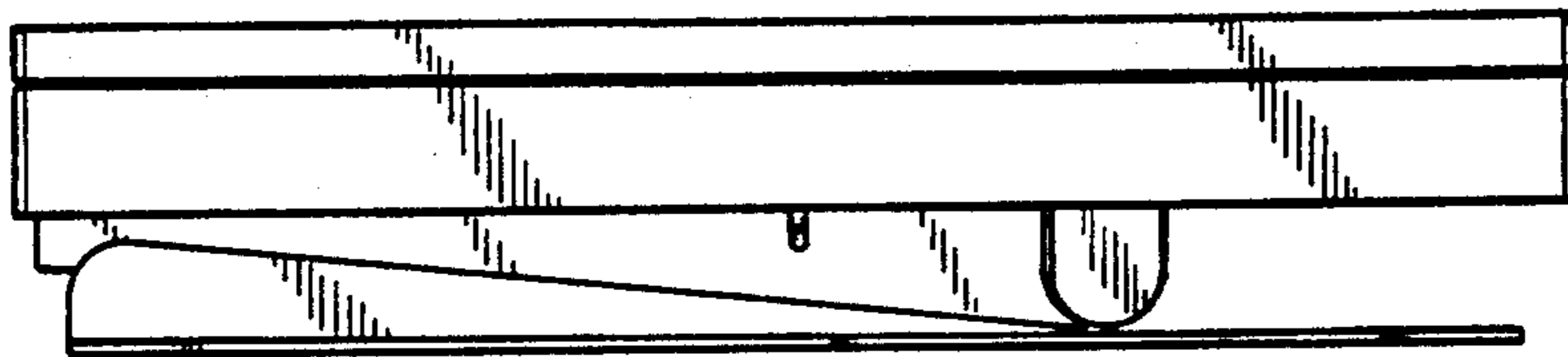


FIG. 7

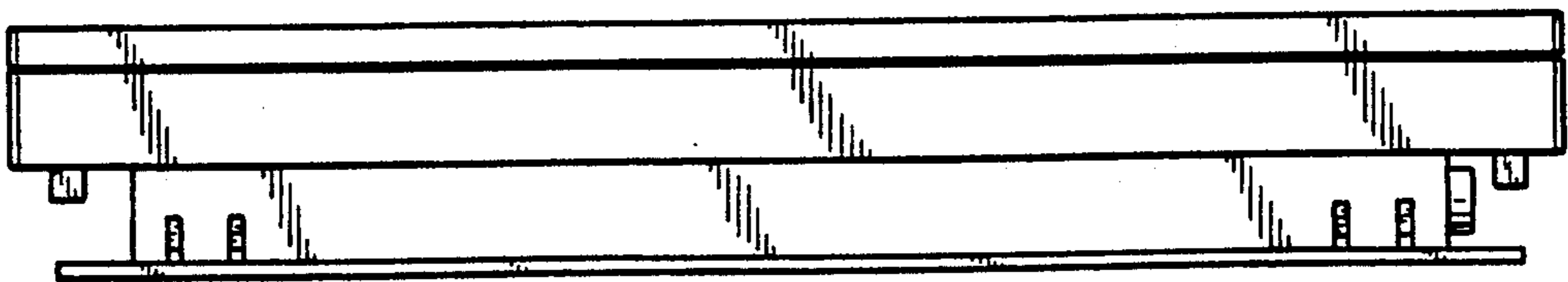


FIG. 8



FIG. 9

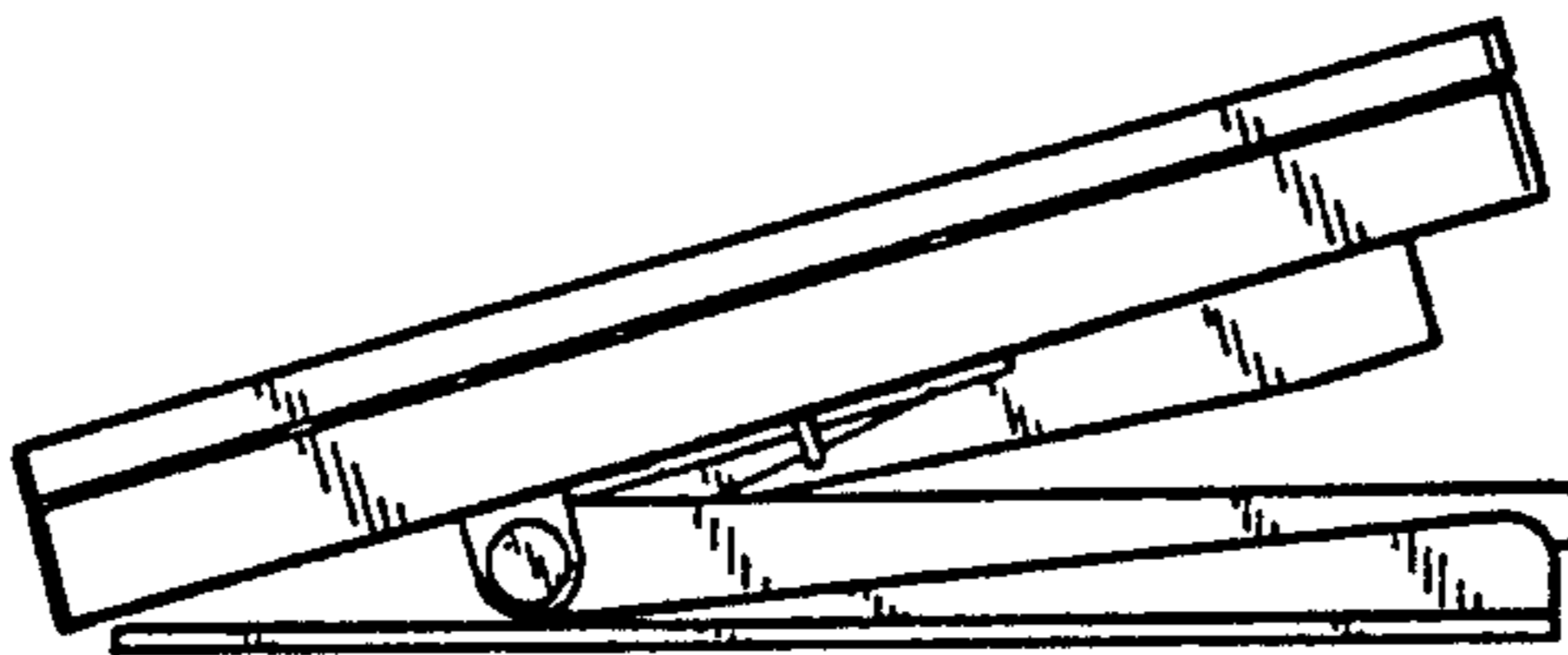


FIG. 10

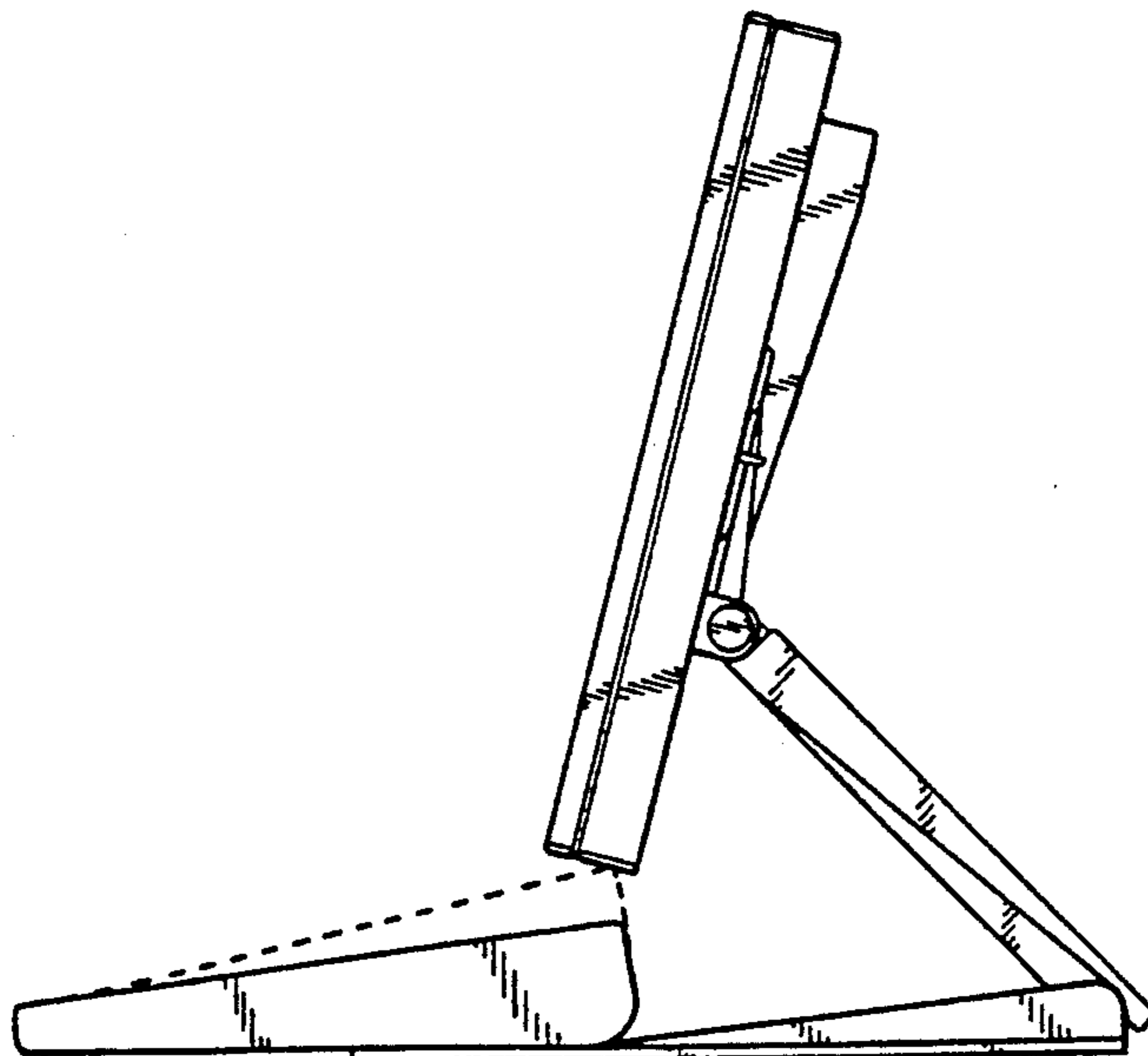


FIG. 11

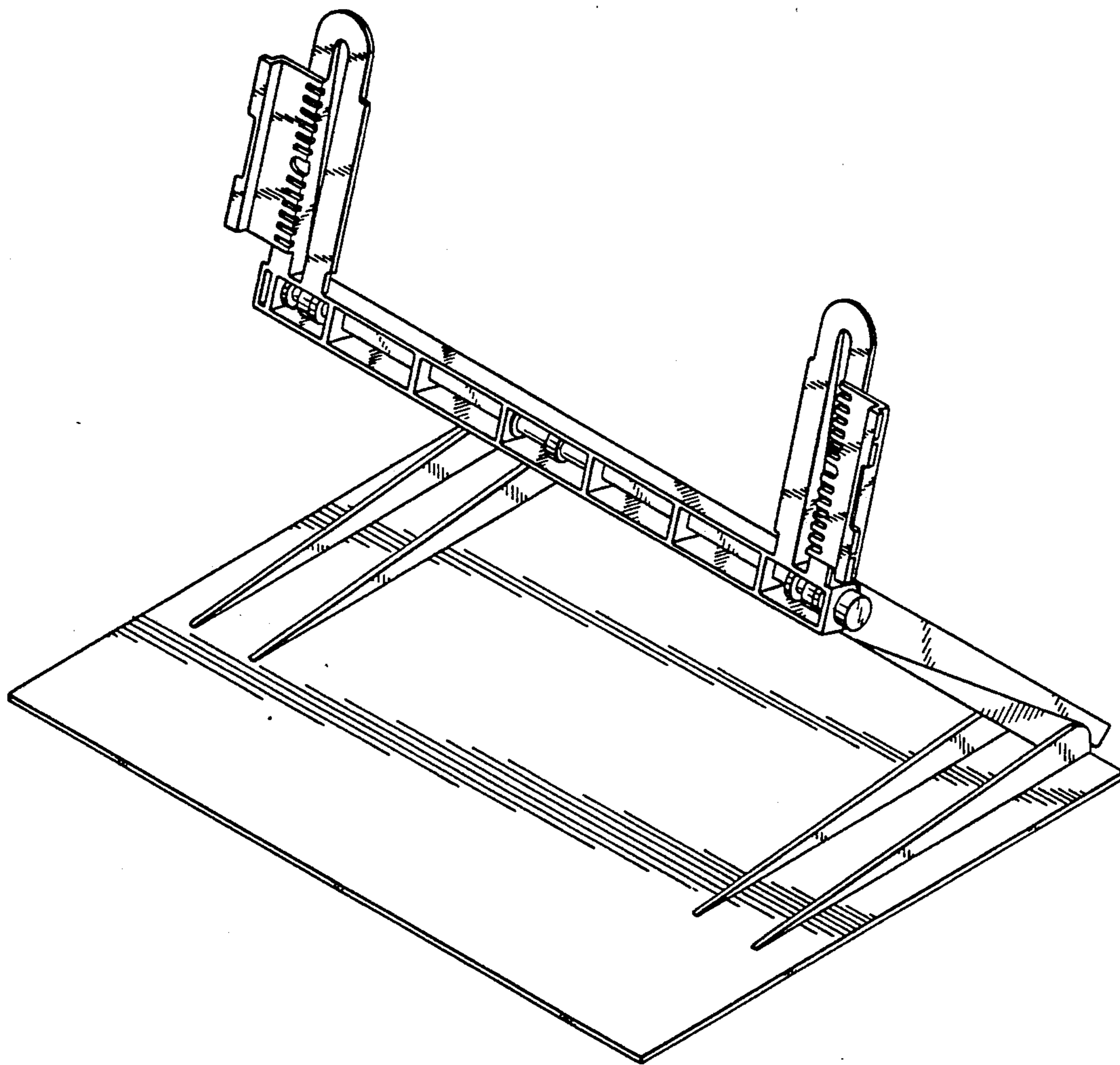


FIG. 12

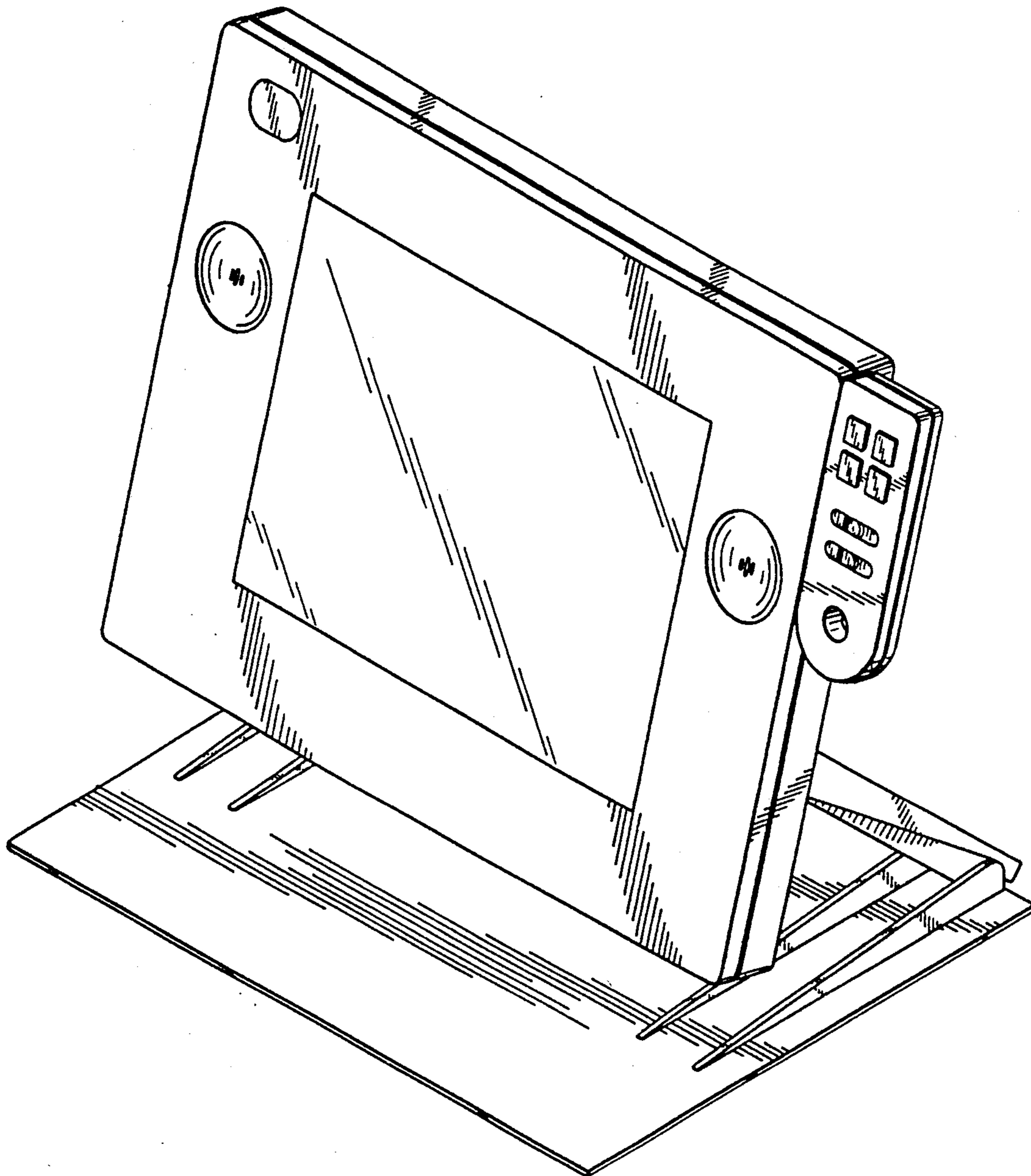


FIG. 13

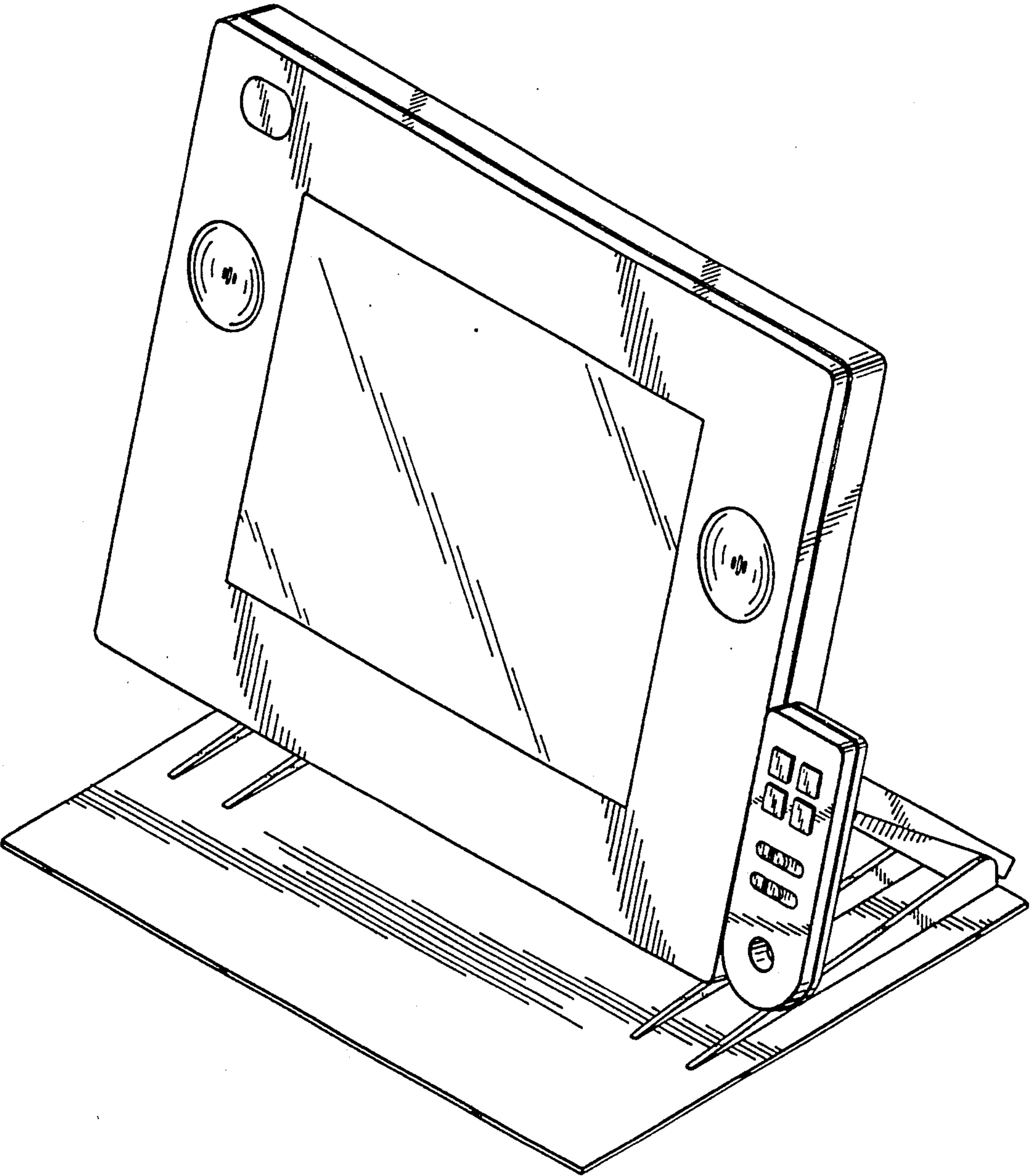


FIG. 14

