



US00D339793S

United States Patent [19]

[11] Patent Number: **Des. 339,793**

Nardi et al.

[45] Date of Patent: **** Sep. 28, 1993**

- [54] **ELECTRICAL BOX CONNECTOR COUPLING**
- [75] Inventors: **Pierre Nardi, Forest Hills; Lawrence S. Steiner, Dix Hills, both of N.Y.**
- [73] Assignee: **Berger Industries, Inc., Maspeth, N.Y.**
- [**] Term: **14 Years**
- [21] Appl. No.: **817,423**
- [22] Filed: **Jan. 6, 1992**
- [52] U.S. Cl. **D13/149**
- [58] Field of Search **D13/149, 151, 154, 155; 174/59, 60, 85, 93, 262, 266; 439/536, 583, 784, 797, 800; D8/396; 285/128, 138, 139, 158, 159, 161, 205, 206, 369, 404, 907**

3,420,554	1/1969	Straub	285/369 X
3,454,291	7/1969	Goldsohel et al.	285/404 X
4,641,863	2/1987	Shemtov	285/205 X
4,957,314	9/1990	Basile et al.	285/404 X
5,165,735	11/1992	Nardi et al.	285/404 X

OTHER PUBLICATIONS

Fittings on p. 6 of 1983 *NEER* catalog.
Fittings on pp. 16 and 22 of 1986 *O-Z/GEDNEY* catalog.

Primary Examiner—Wallace R. Burke
Assistant Examiner—Joel Sincavage
Attorney, Agent, or Firm—Howard C. Miskin

[57] CLAIM

The ornamental design for an electrical box connector coupling, as shown.

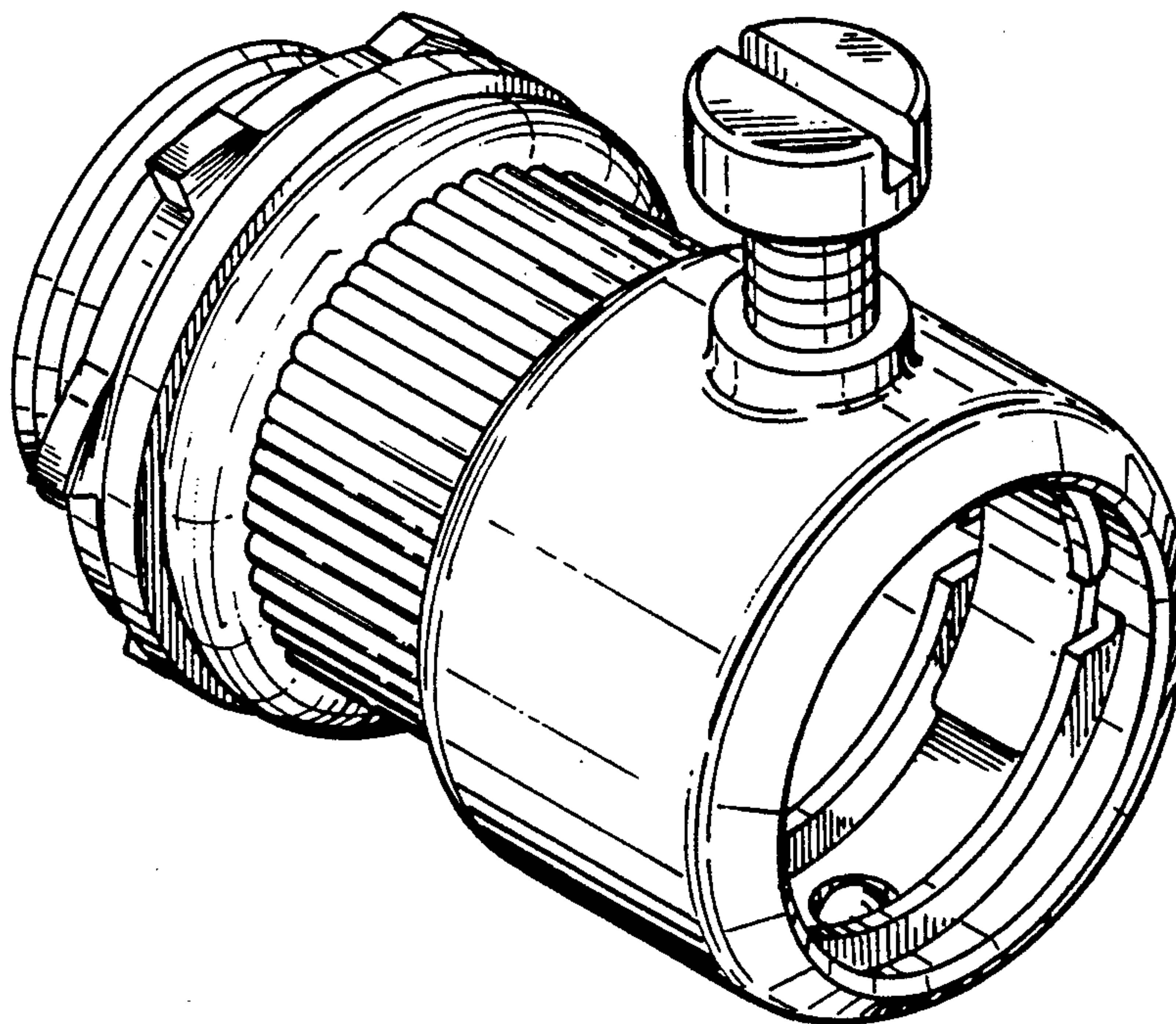
[56] References Cited

U.S. PATENT DOCUMENTS

D. 188,377	7/1960	Martin	D13/149
D. 201,183	5/1965	Sanders	D13/149
D. 243,405	2/1977	Mooney et al.	D13/149 X
2,973,212	2/1961	Rose	D13/149 X

DESCRIPTION

FIG. 1 is a perspective view of the electrical box connector coupling;
FIG. 2 is a side elevational view of the connector;
FIG. 3 is a left end view of FIG. 2; and,
FIG. 4 is a right end view of FIG. 2.



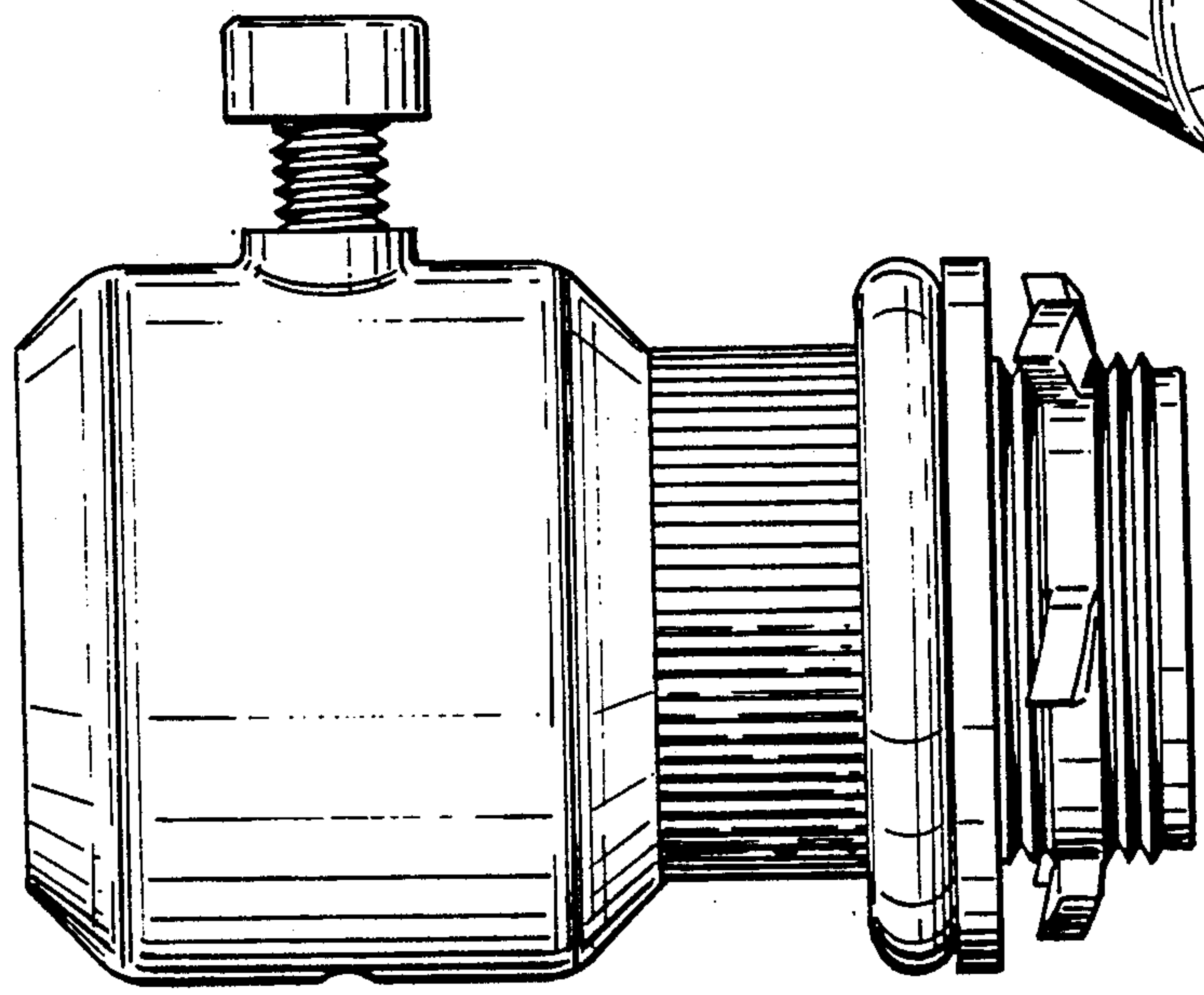
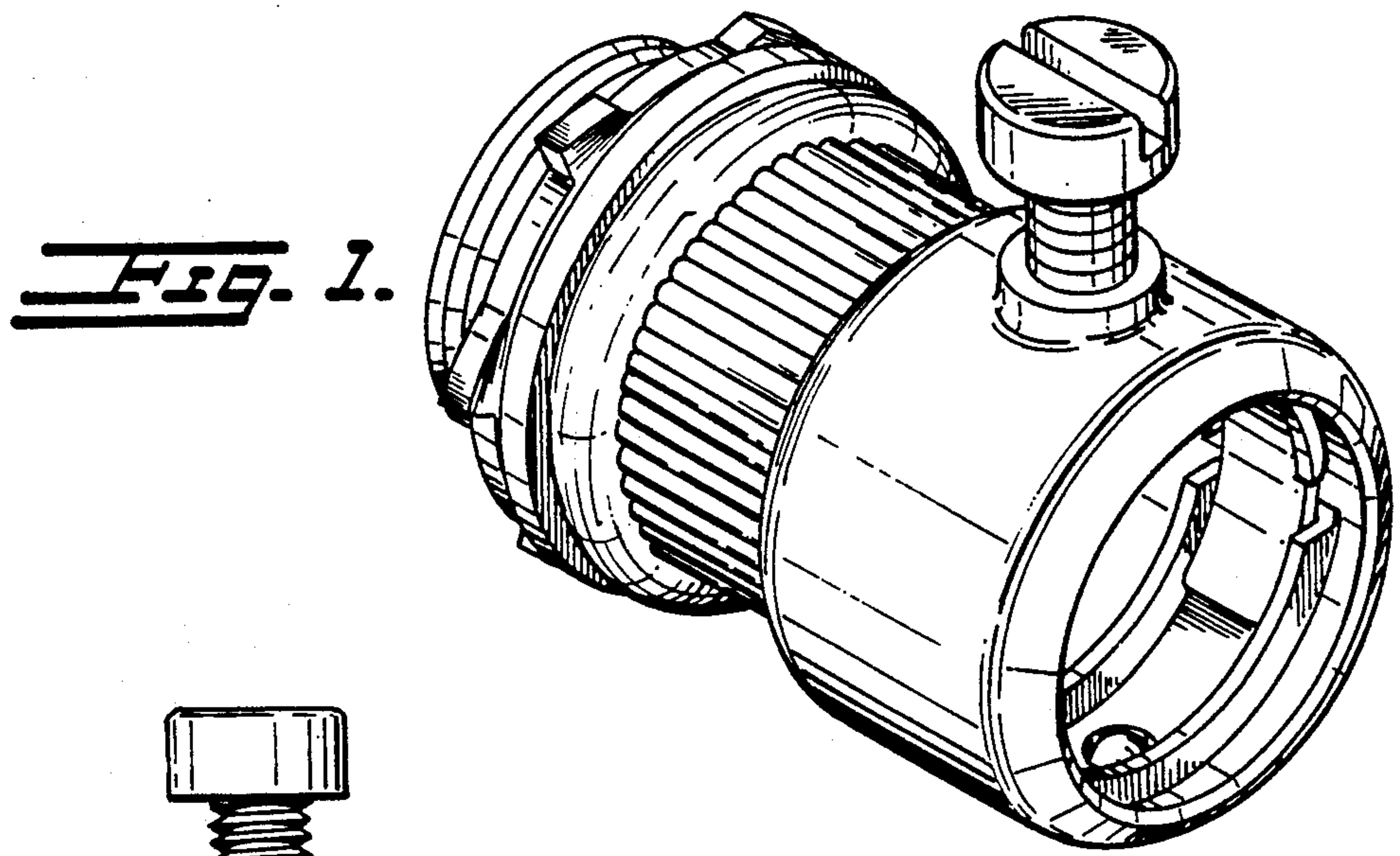


Fig. 2.

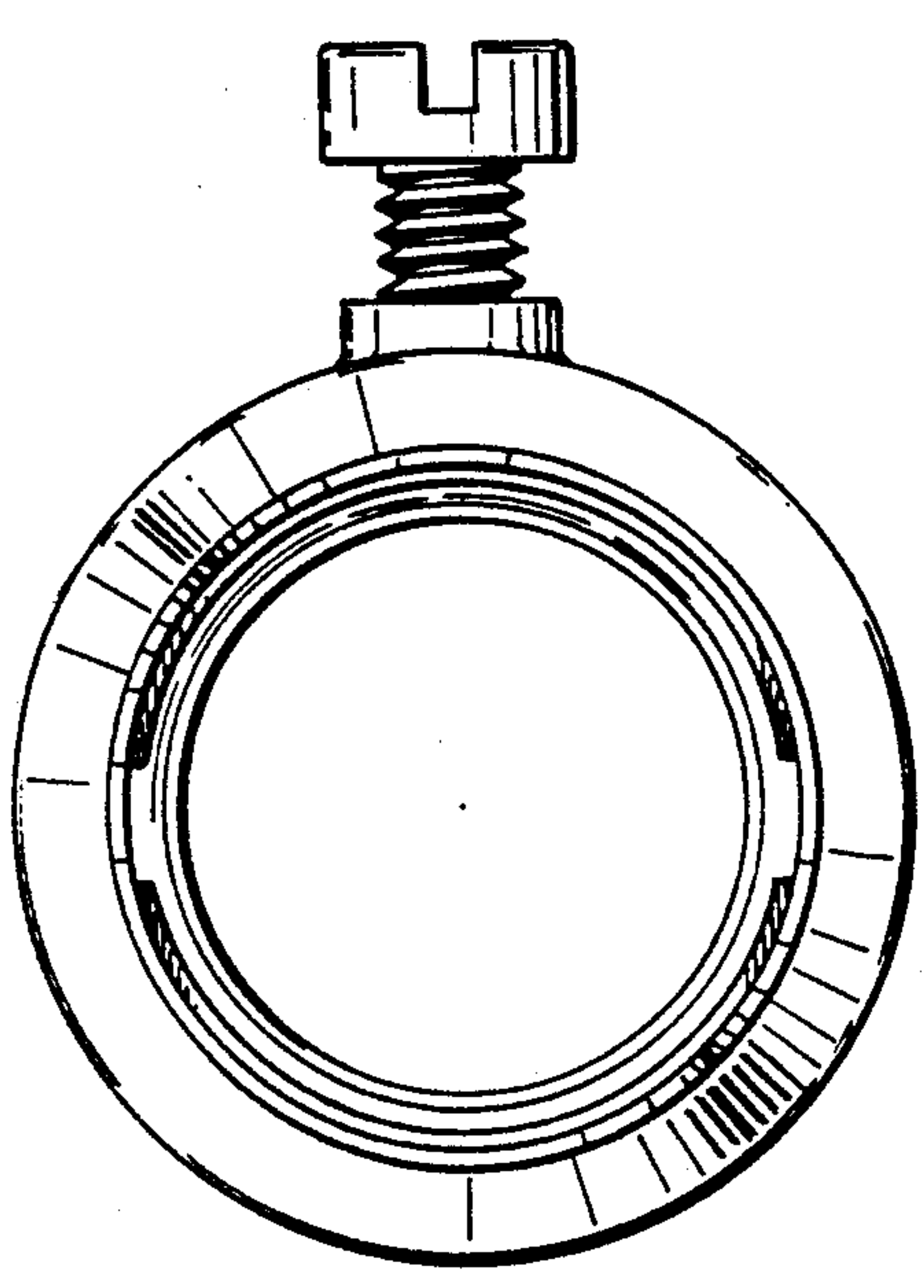


Fig. 3.

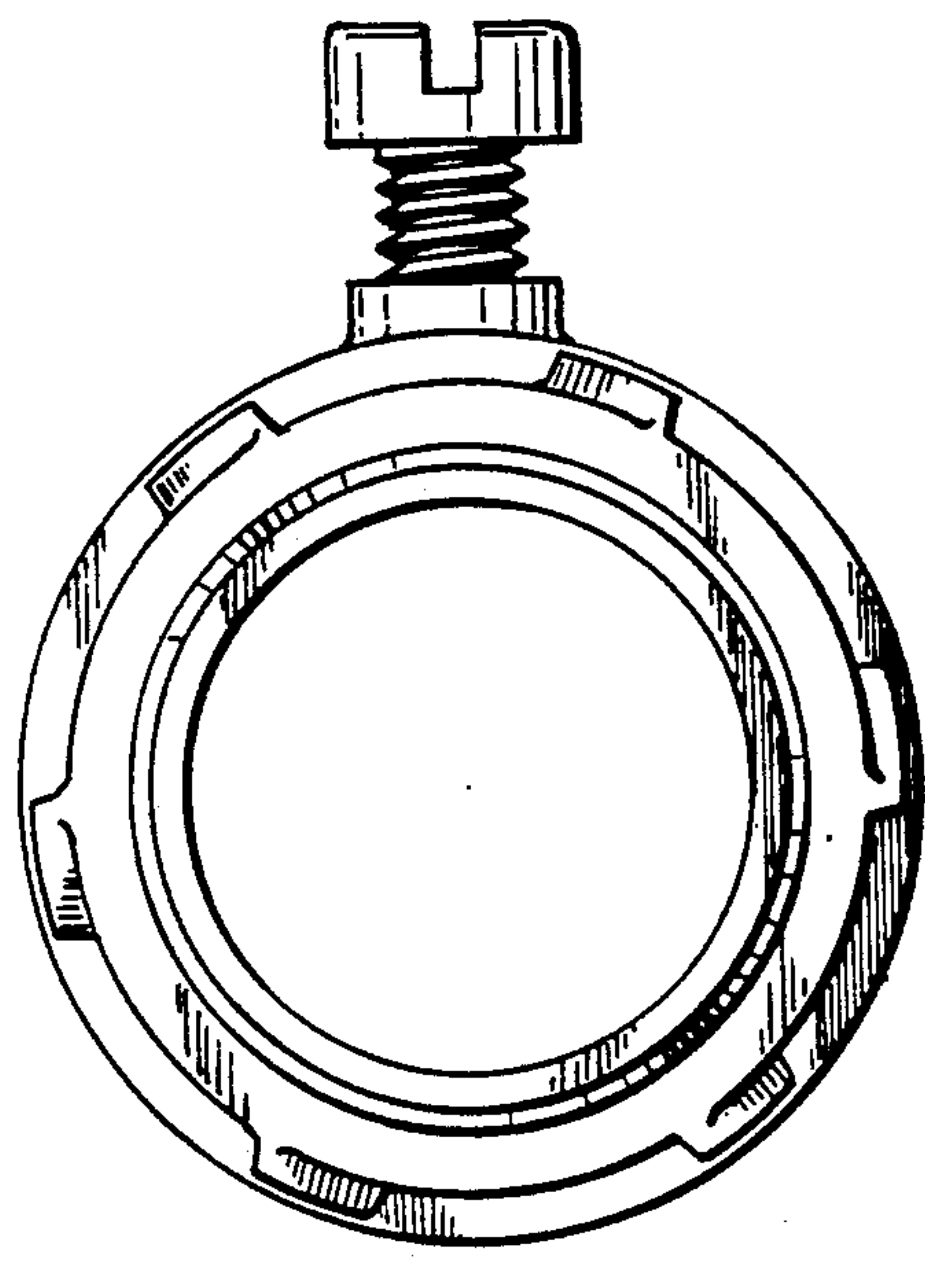


Fig. 4.