



US00D339790S

United States Patent [19]

[11] Patent Number: **Des. 339,790**

Léman et al.

[45] Date of Patent: **** Sep. 28, 1993**

[54] CONNECTOR PART FOR CONNECTING A RADIO TELEPHONE CHARGER TO A CIGARETTE LIGHTER IN AN AUTOMOBILE

4,205,291 5/1980 Flentge D13/110 X

[75] Inventors: **Ari Léman, Pertteli; Pekka Hakanen, Turku; Jouko Tattari, Salo, all of Finland**

OTHER PUBLICATIONS

Connecting elements in Novatel Carcom, Inc. brochure, copyright 1989.

[73] Assignee: **Nokia Mobile Phones Ltd., Salo, Finland**

AC adaptor and cable connector for Mitsubishi hand-held radio system.

[**] Term: **14 Years**

Primary Examiner—Wallace R. Burke

Assistant Examiner—Joel Sincavage

[21] Appl. No.: **594,898**

Attorney, Agent, or Firm—Klauber & Jackson

[22] Filed: **Oct. 9, 1990**

[57] CLAIM

The ornamental design for a connector part for connecting a radio telephone charger to a cigarette lighter in an automobile, as shown and described.

[30] Foreign Application Priority Data

DESCRIPTION

Apr. 12, 1990 [FI] Finland 330/90

[52] U.S. Cl. **D13/133; D13/108**

[58] Field of Search **D13/107, 108, 110; 320/23**

FIG. 1 is a front and upper right perspective view of a connector part for connecting a radio telephone charger to a cigarette lighter in an automobile, showing our new design;

FIG. 2 is a right side elevational view thereof;

FIG. 3 is a top plan view thereof;

FIG. 4 is a bottom plan view thereof;

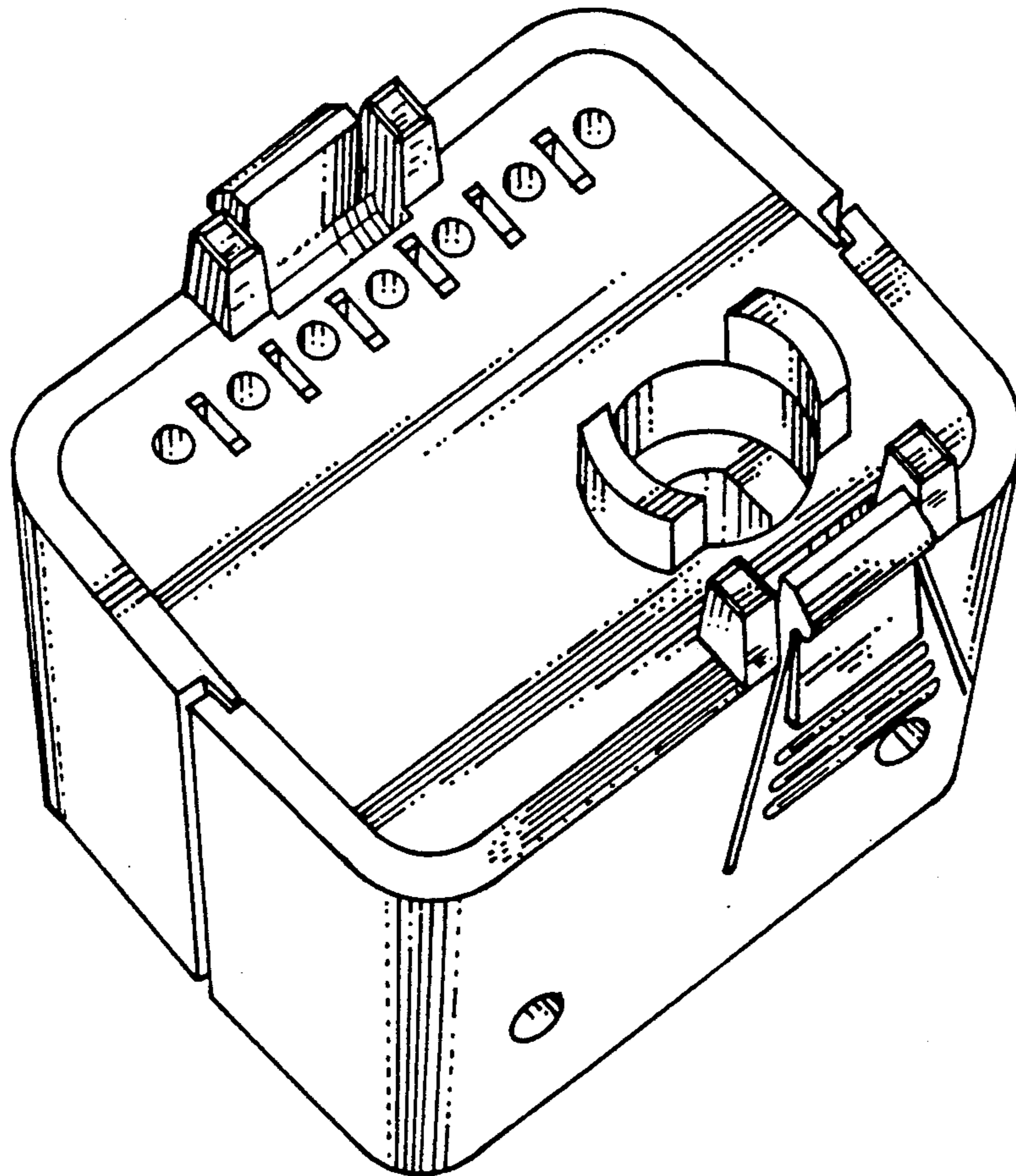
FIG. 5 is a rear plan view thereof; and,

FIG. 6 is a rear and lower left perspective view thereof.

[56] References Cited

U.S. PATENT DOCUMENTS

3,257,599 6/1966 Somers et al. D13/108 X



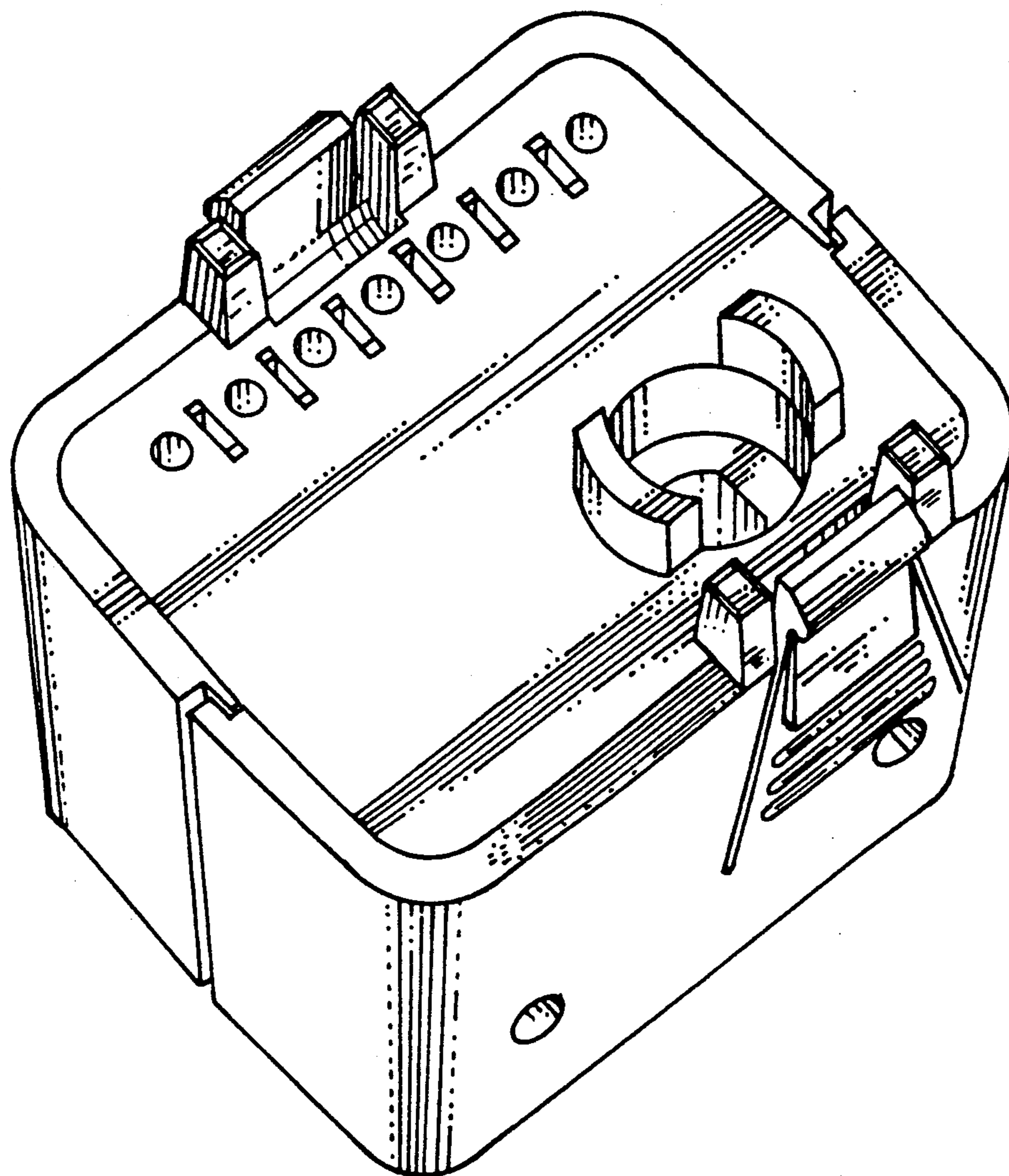


FIG. 1

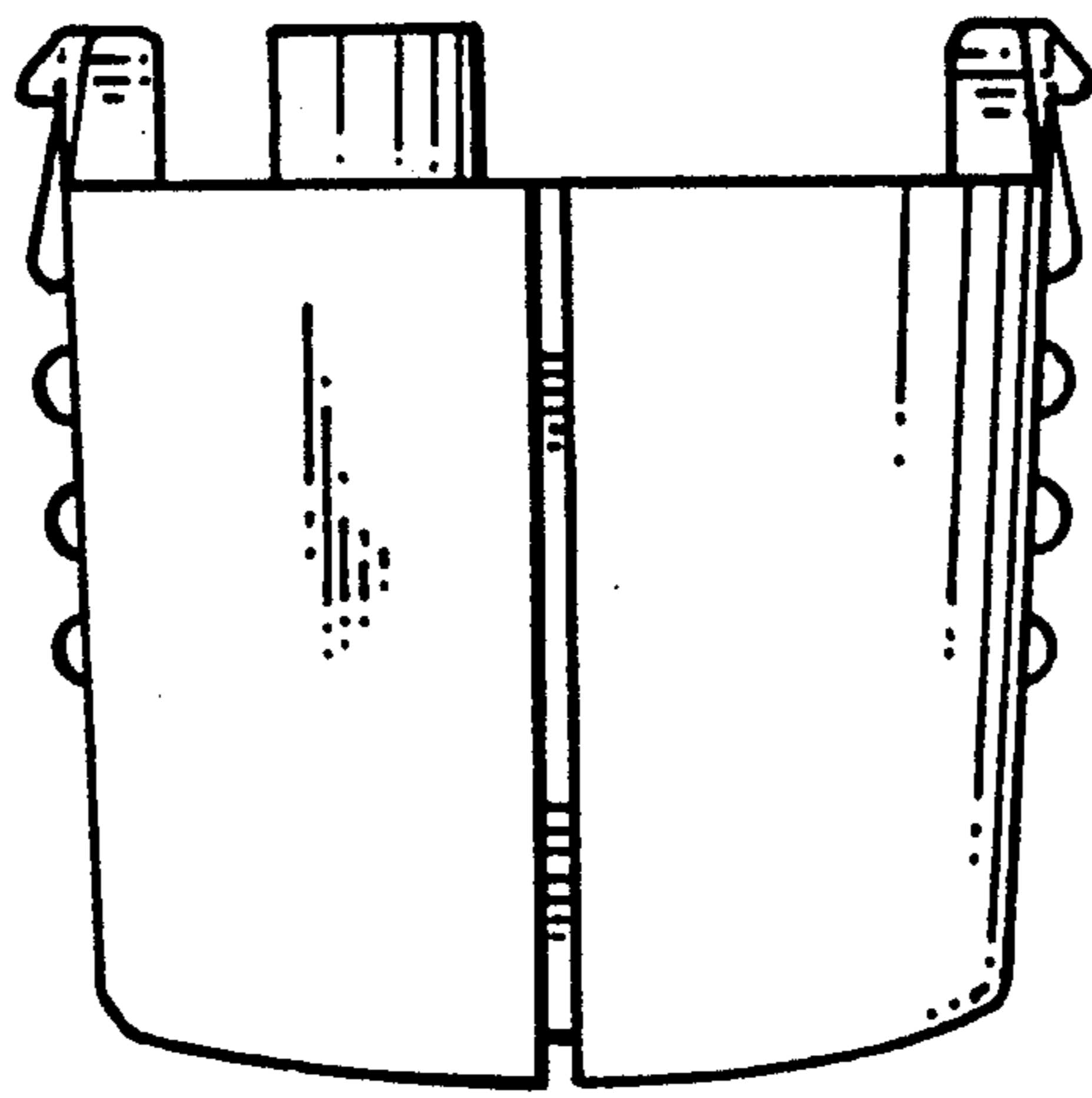


FIG. 2

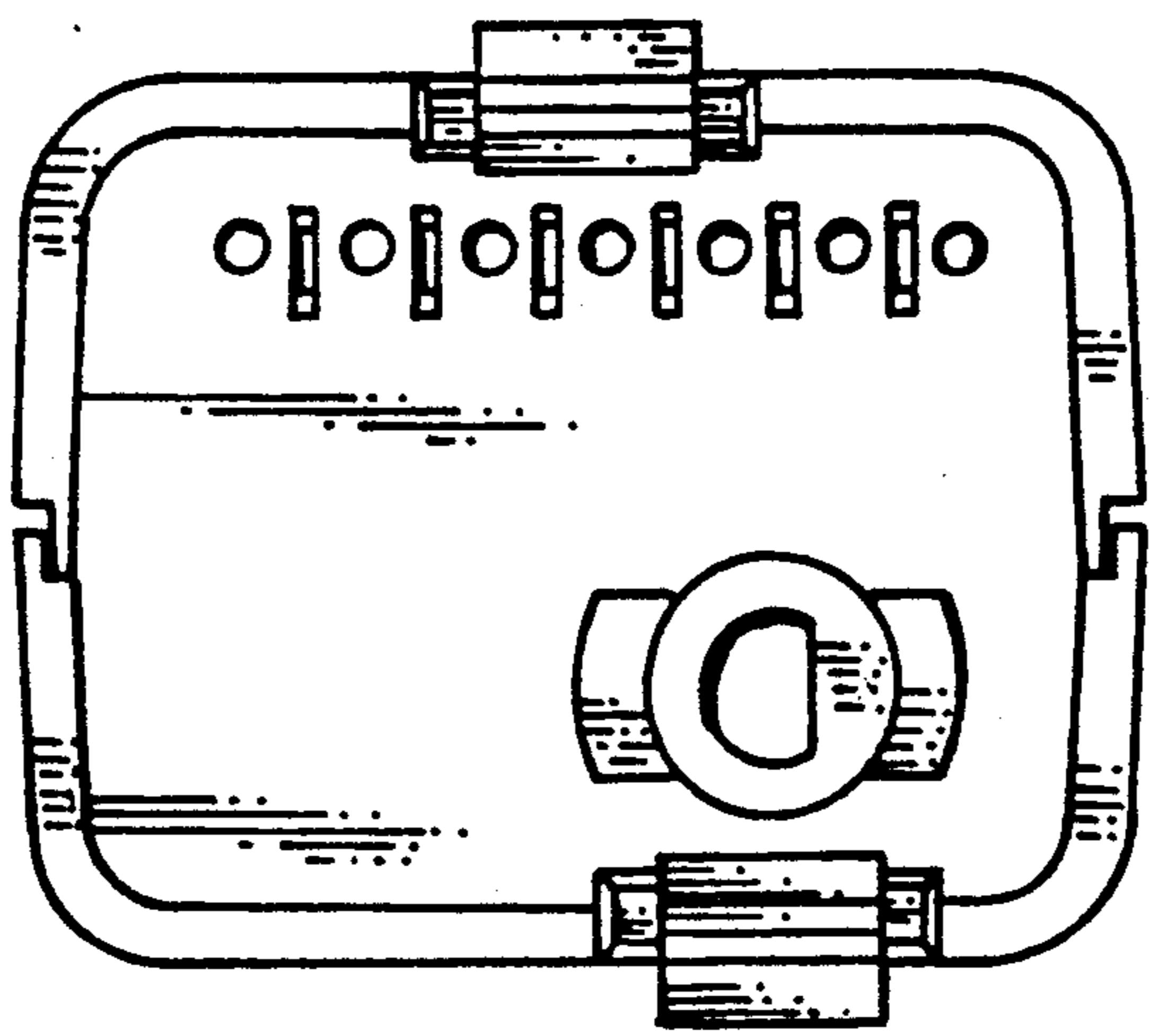


FIG. 3

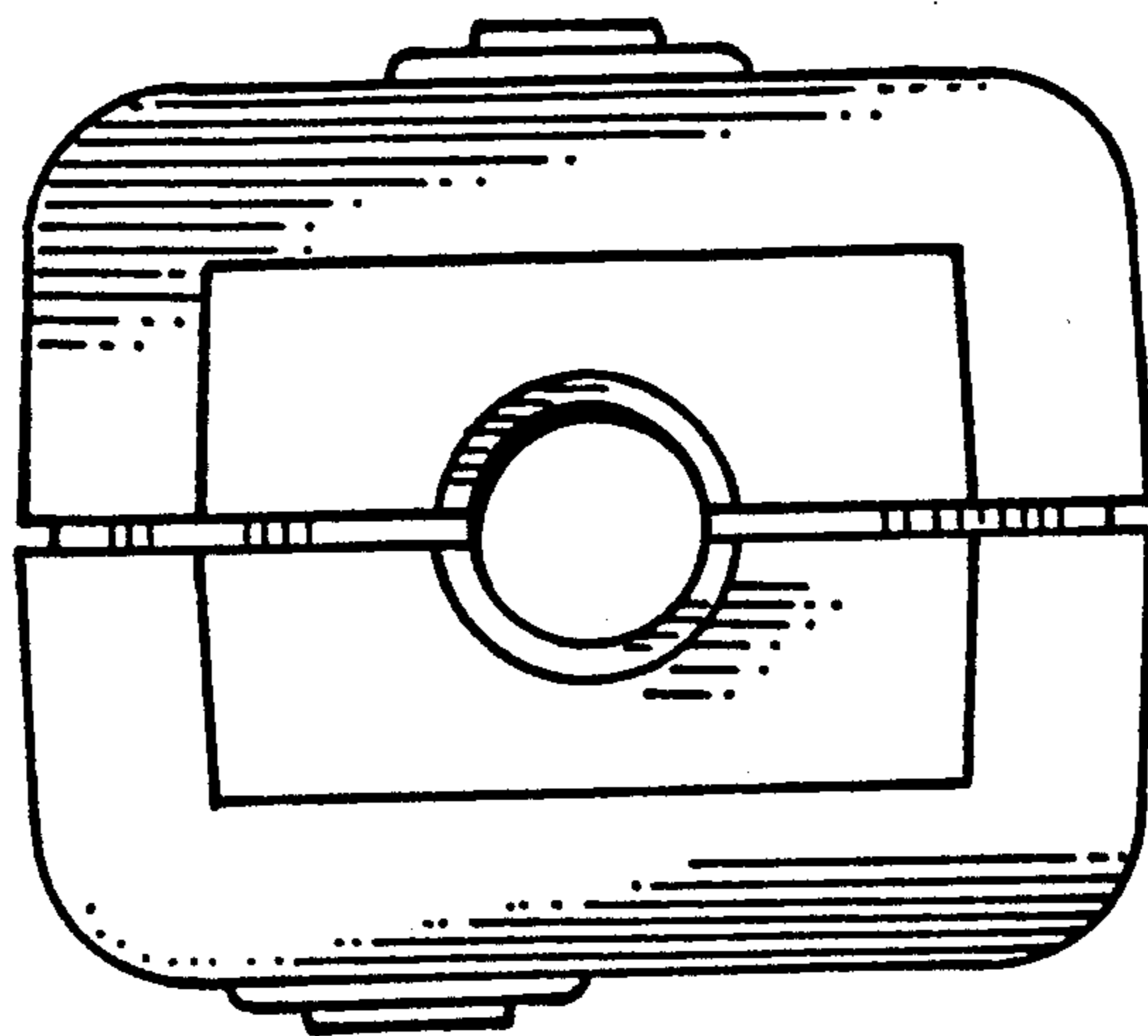


FIG. 4

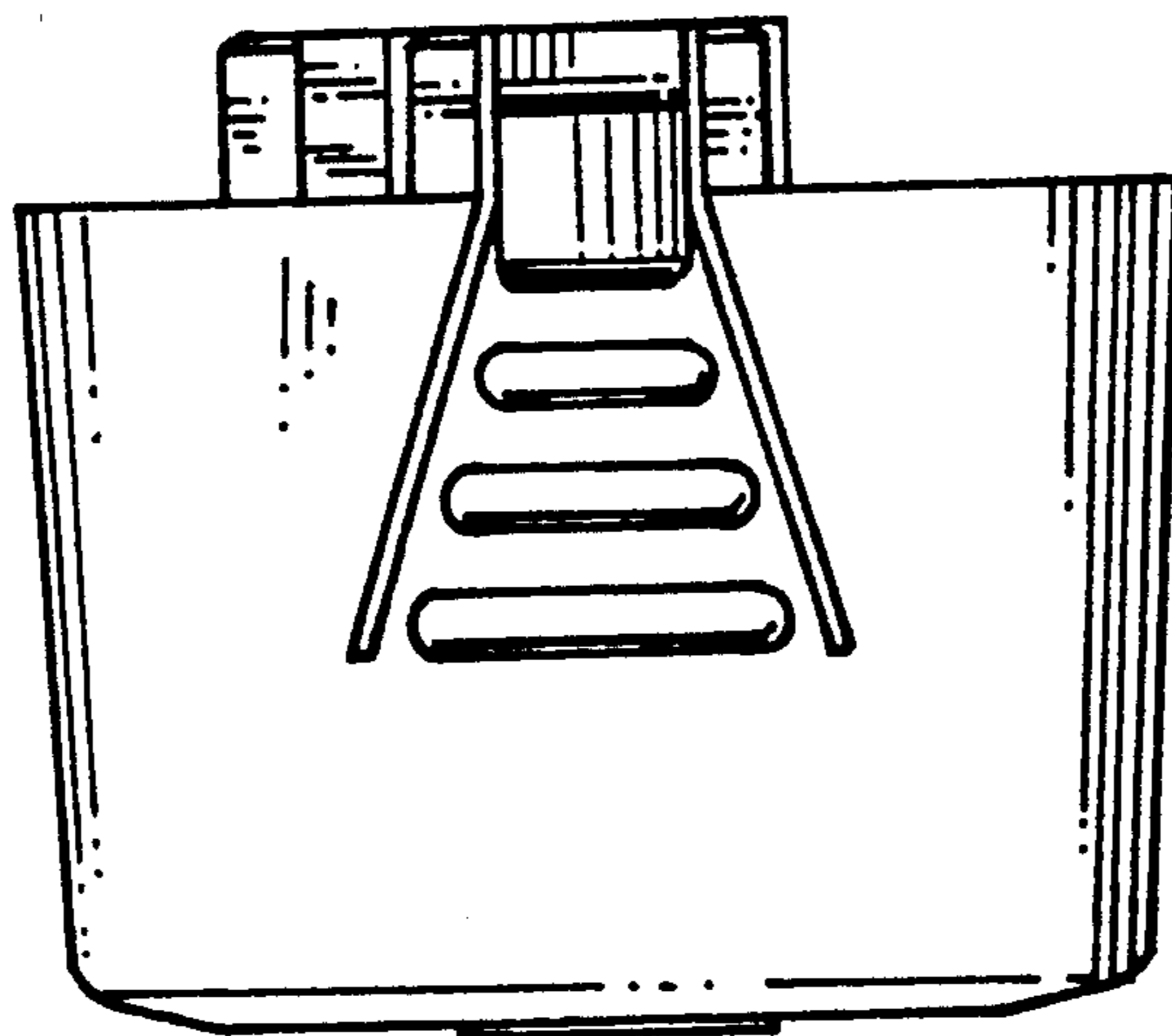


FIG. 5

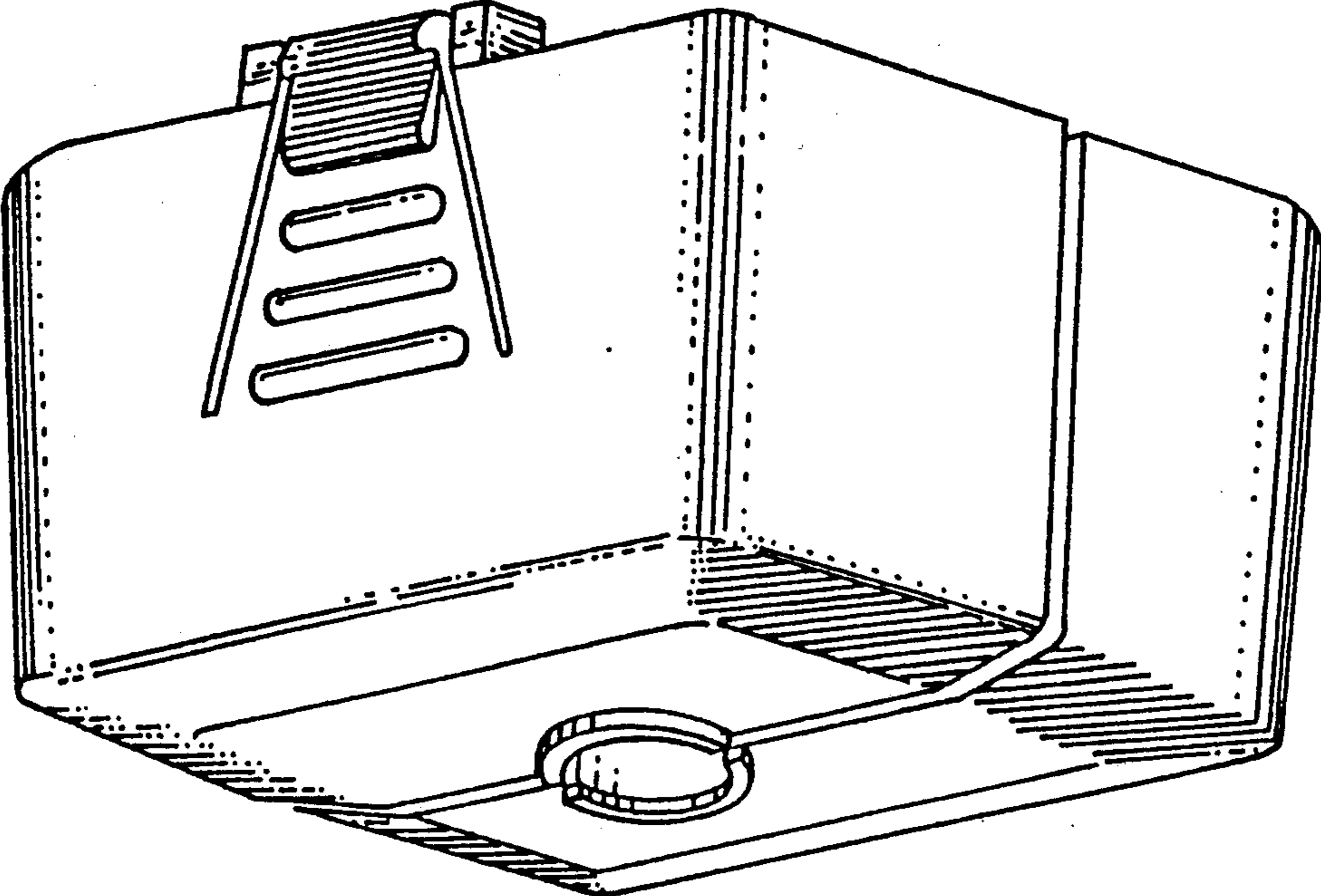


FIG. 6