



US00D339788S

# United States Patent [19]

[11] Patent Number: **Des. 339,788**

Léman et al.

[45] Date of Patent: **\*\* Sep. 28, 1993**

[54] **AUTOMOBILE CHARGER FOR A RADIO TELEPHONE**

[75] Inventors: **Ari Léman, Pertteli; Veli-Matti Vålímáa, Salo, both of Finland**

[73] Assignee: **Nokia Mobile Phones Ltd., Salo, Finland**

[\*\*] Term: **14 Years**

[21] Appl. No.: **594,899**

[22] Filed: **Oct. 9, 1990**

[30] **Foreign Application Priority Data**

Apr. 12, 1990 [FI] Finland ..... 329/90

[52] U.S. Cl. .... **D13/108; D14/240; D14/256**

[58] Field of Search ..... D13/103, 107, 108, 133, D13/184; D14/138, 140, 240, 256, 100, 107, 114; 379/442, 443, 447, 457, 441

[56] **References Cited**

**U.S. PATENT DOCUMENTS**

- D. 188,108 6/1960 Sundberg et al. .... D10/104
- D. 204,939 5/1966 Wyse et al. .... D10/104 X
- D. 281,601 12/1985 Liautaud et al. .... D13/184 X
- D. 282,725 2/1986 Imazeki ..... D10/104

- D. 314,746 2/1991 Benjamin et al. .... D13/133
- 4,270,820 6/1981 McMullan et al. .... D13/184
- 4,290,664 9/1981 Davis et al. .... 379/442 X
- 4,954,672 9/1990 Ruehl ..... 379/442 X

**OTHER PUBLICATIONS**

1987 B. A. Pargh catalog, p. 301, zoom item T17620m.

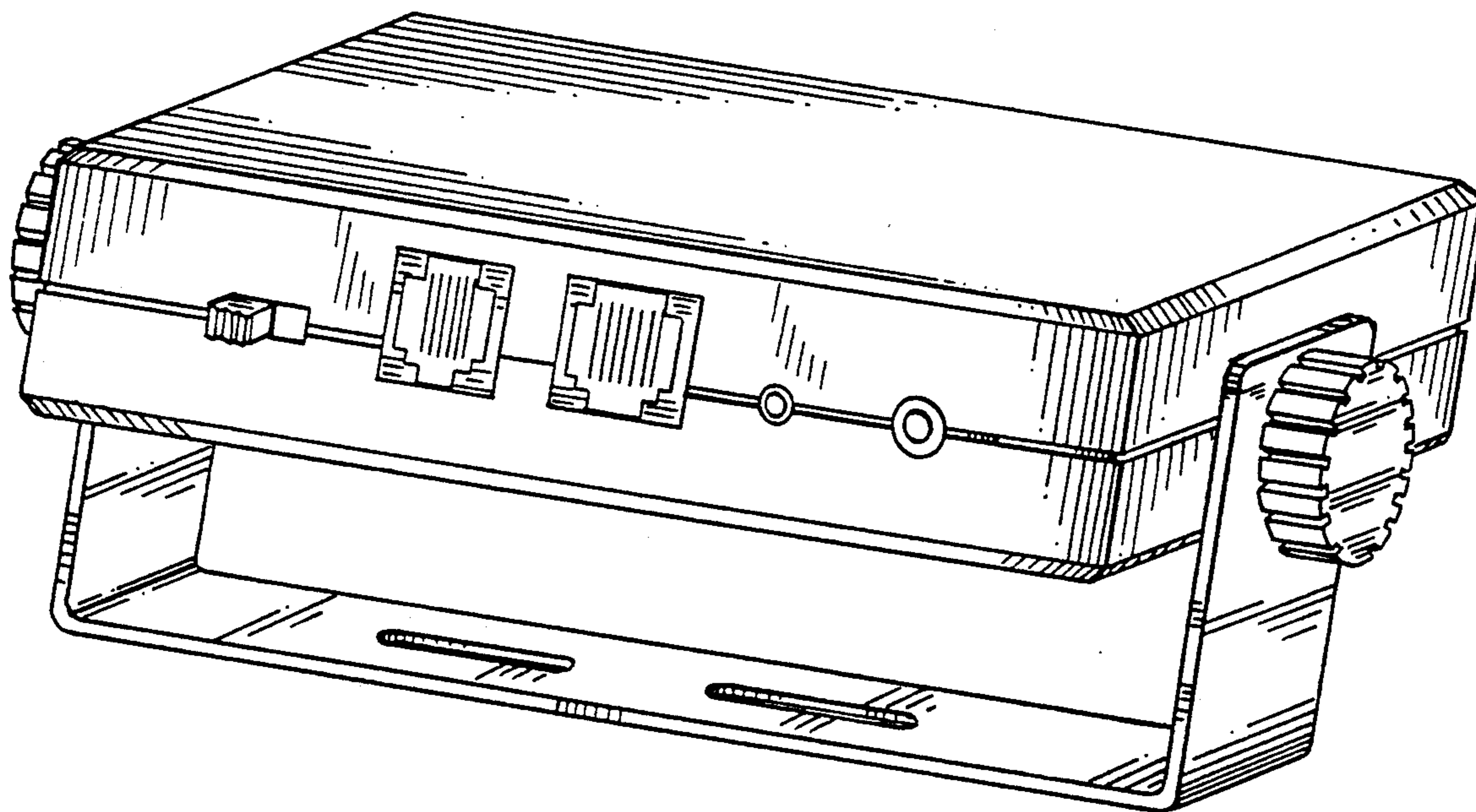
*Primary Examiner*—Alan P. Douglas  
*Assistant Examiner*—Jeffrey Asch  
*Attorney, Agent, or Firm*—Klauber & Jackson

[57] **CLAIM**

The ornamental design for an automobile charger for a radio telephone, as shown and described.

**DESCRIPTION**

FIG. 1 is a perspective view showing the front, side and top of an automobile charger for a radio telephone of our new design;  
FIG. 2 is a left side elevational view thereof;  
FIG. 3 is a right side elevational view thereof;  
FIG. 4 is a top plan view thereof;  
FIG. 5 is a bottom plan view thereof;  
FIG. 6 is a front elevational view thereof;  
FIG. 7 is a rear elevational view thereof; and,  
FIG. 8 is a perspective view showing the rear, bottom and opposite side thereof.



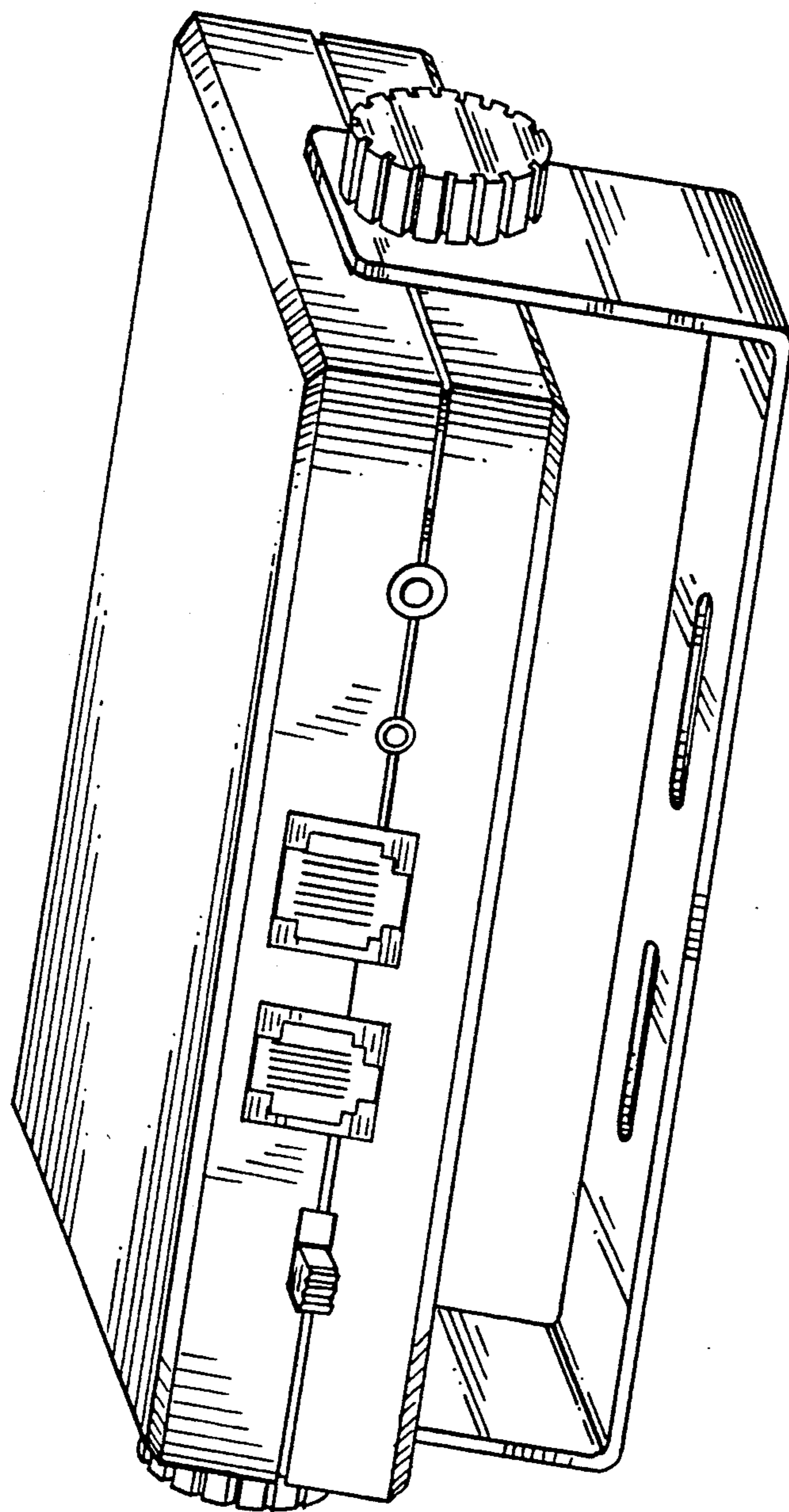


FIG. 1

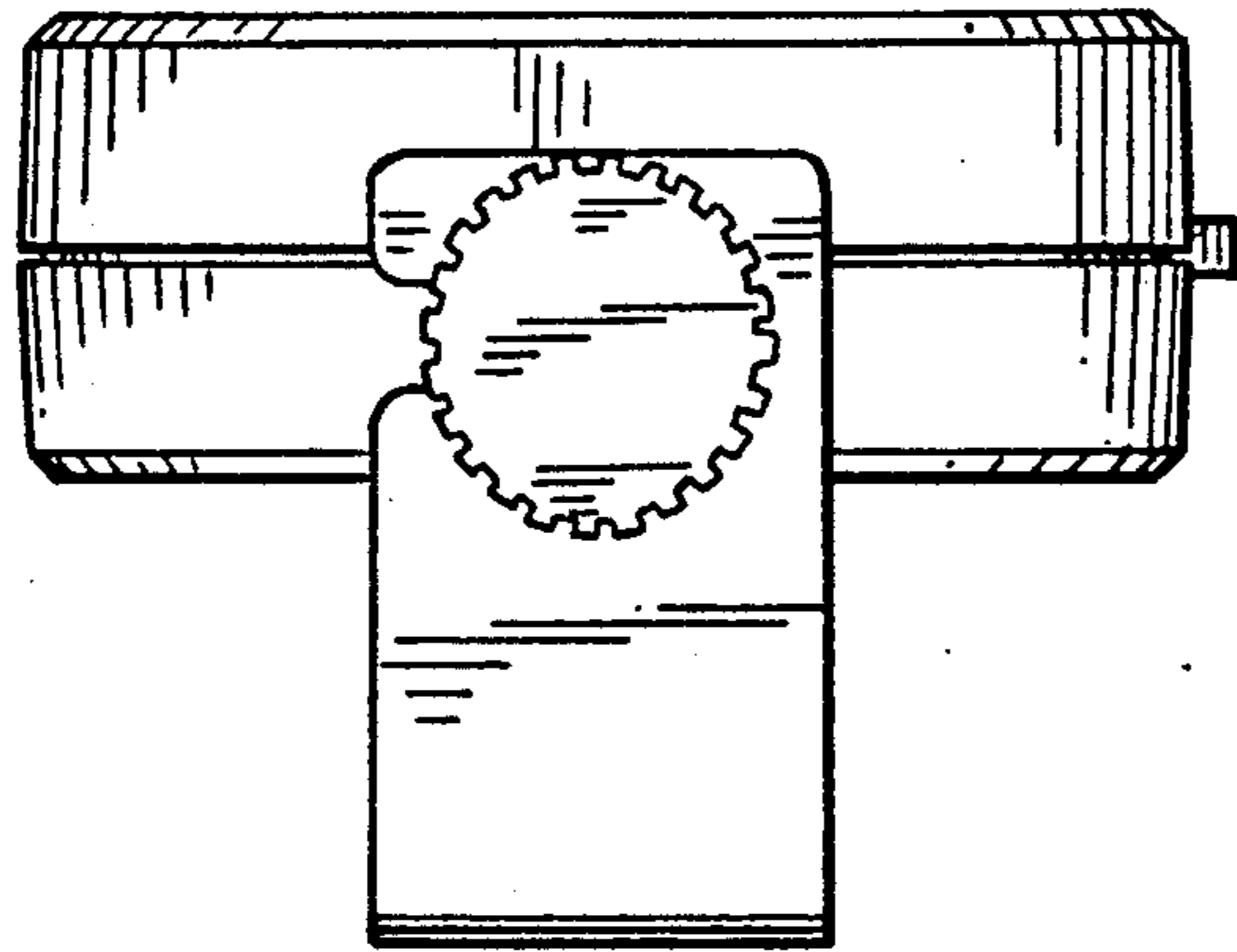


FIG. 2

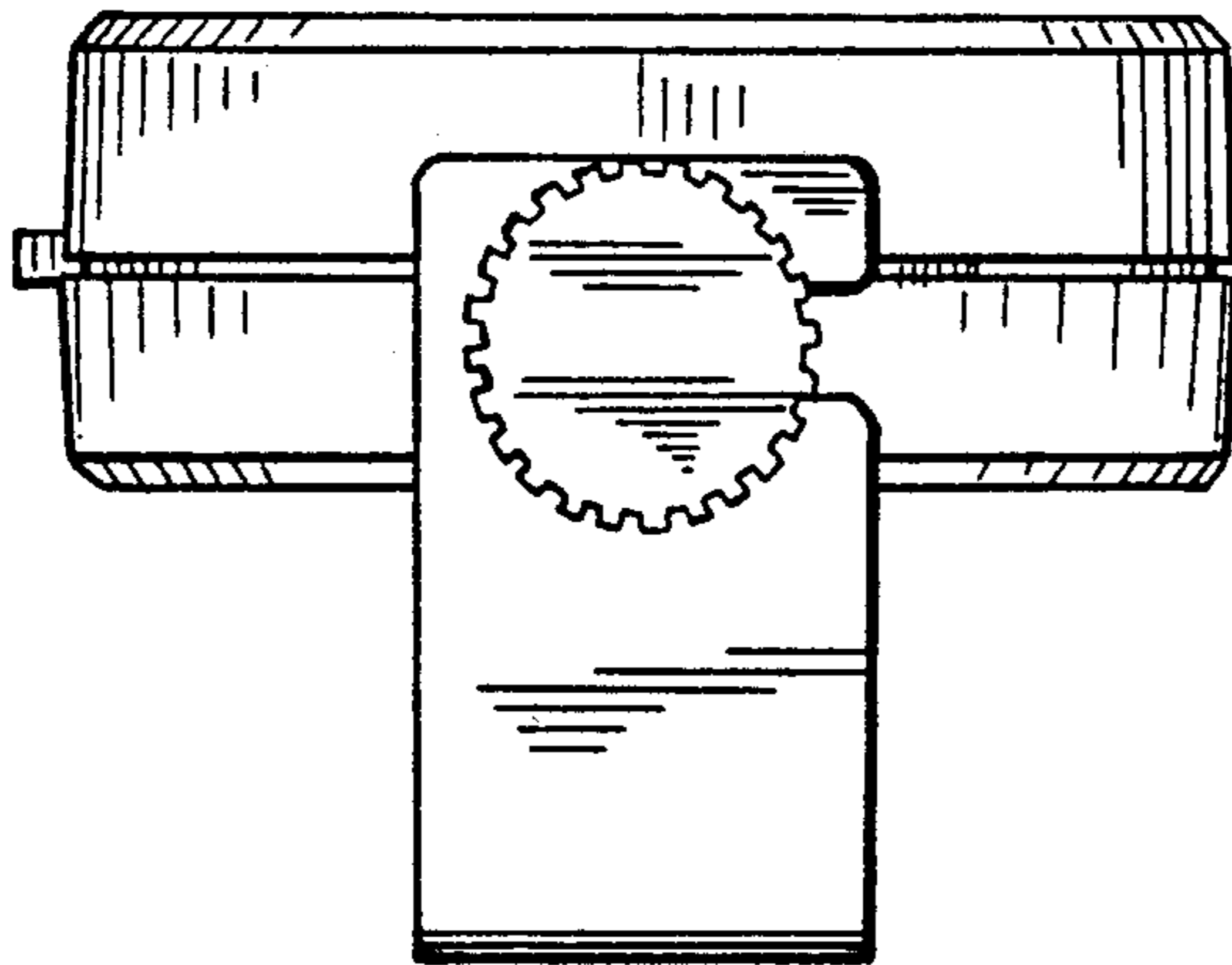


FIG. 3

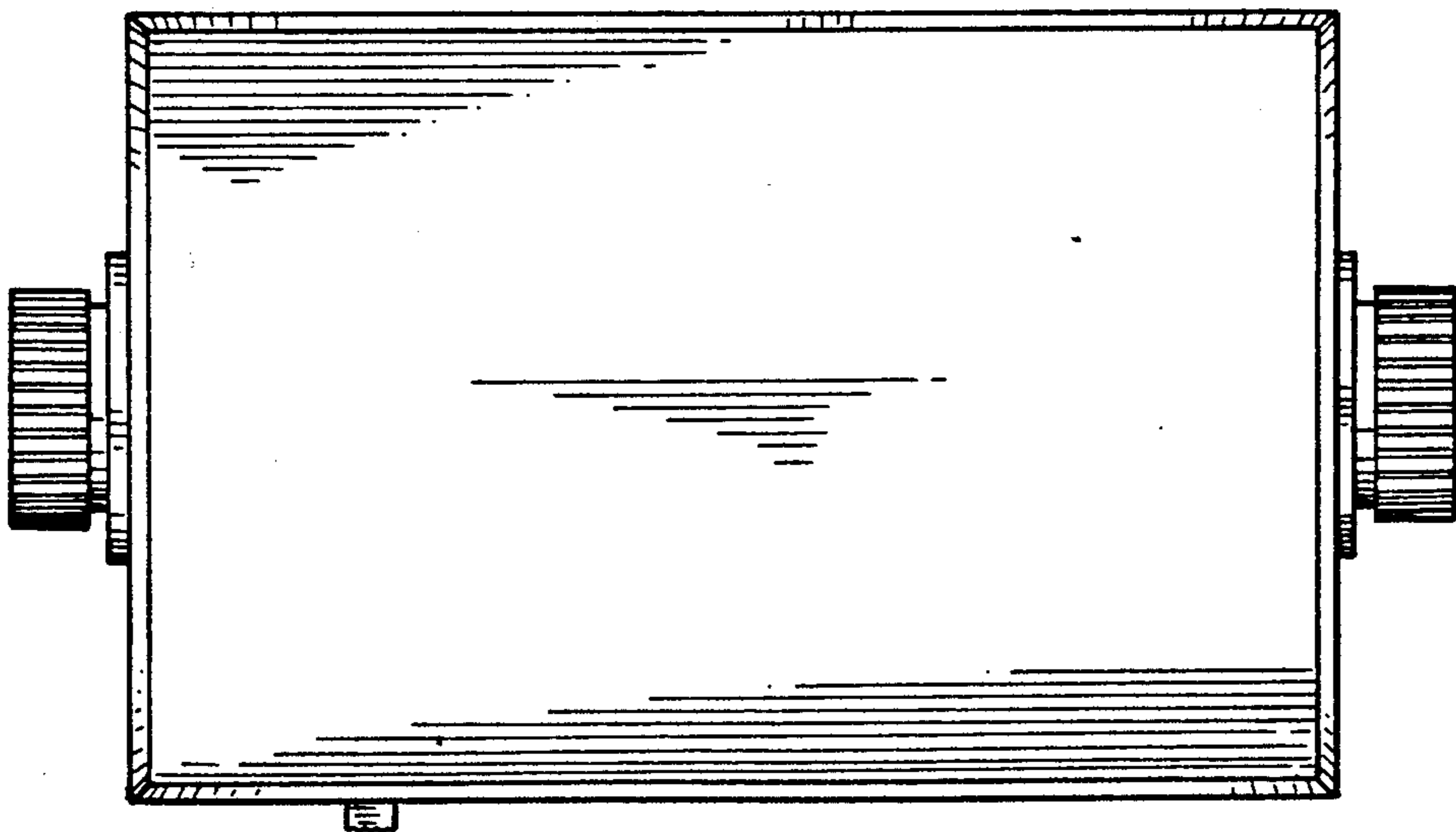


FIG. 4

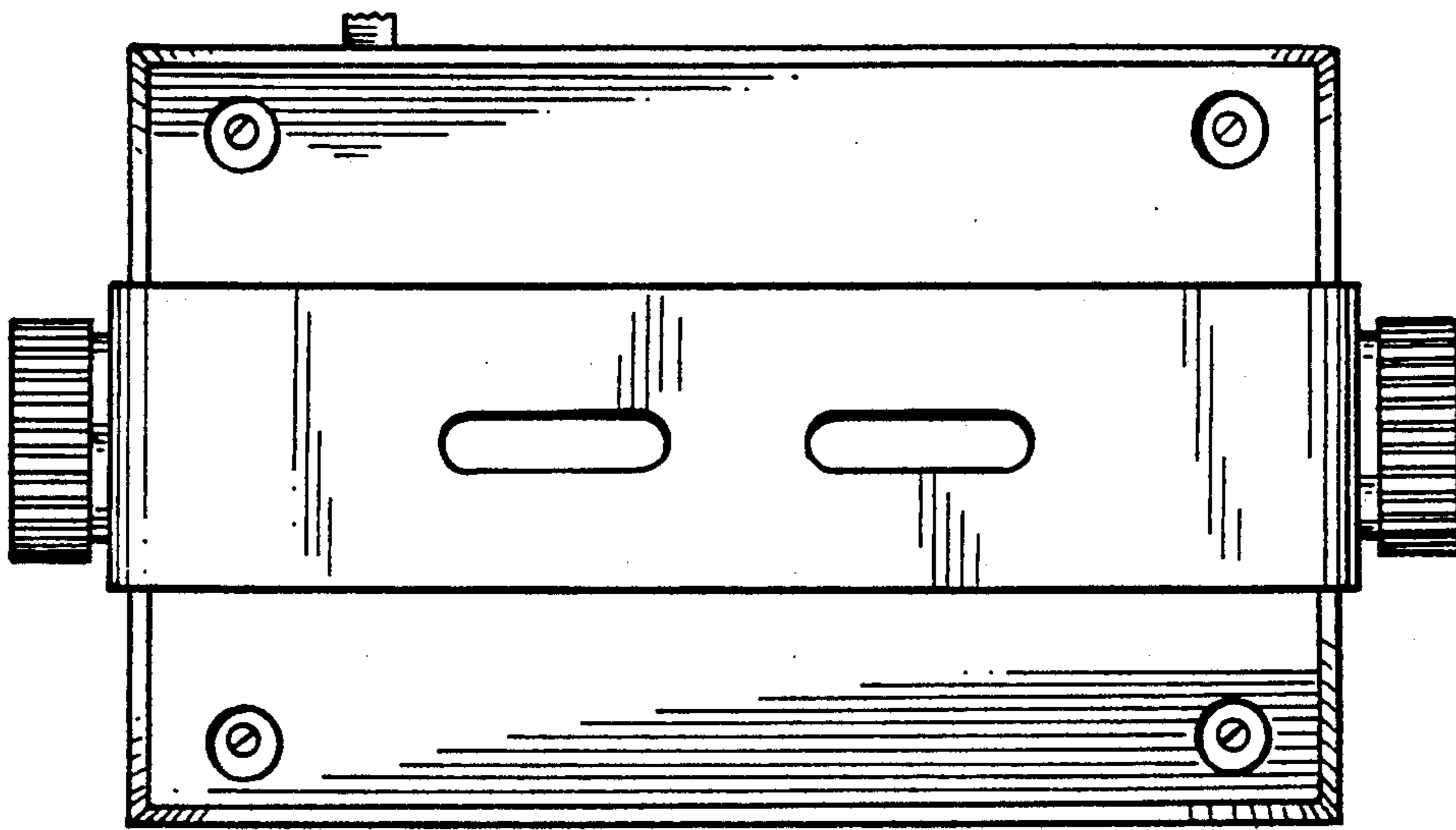


FIG. 5

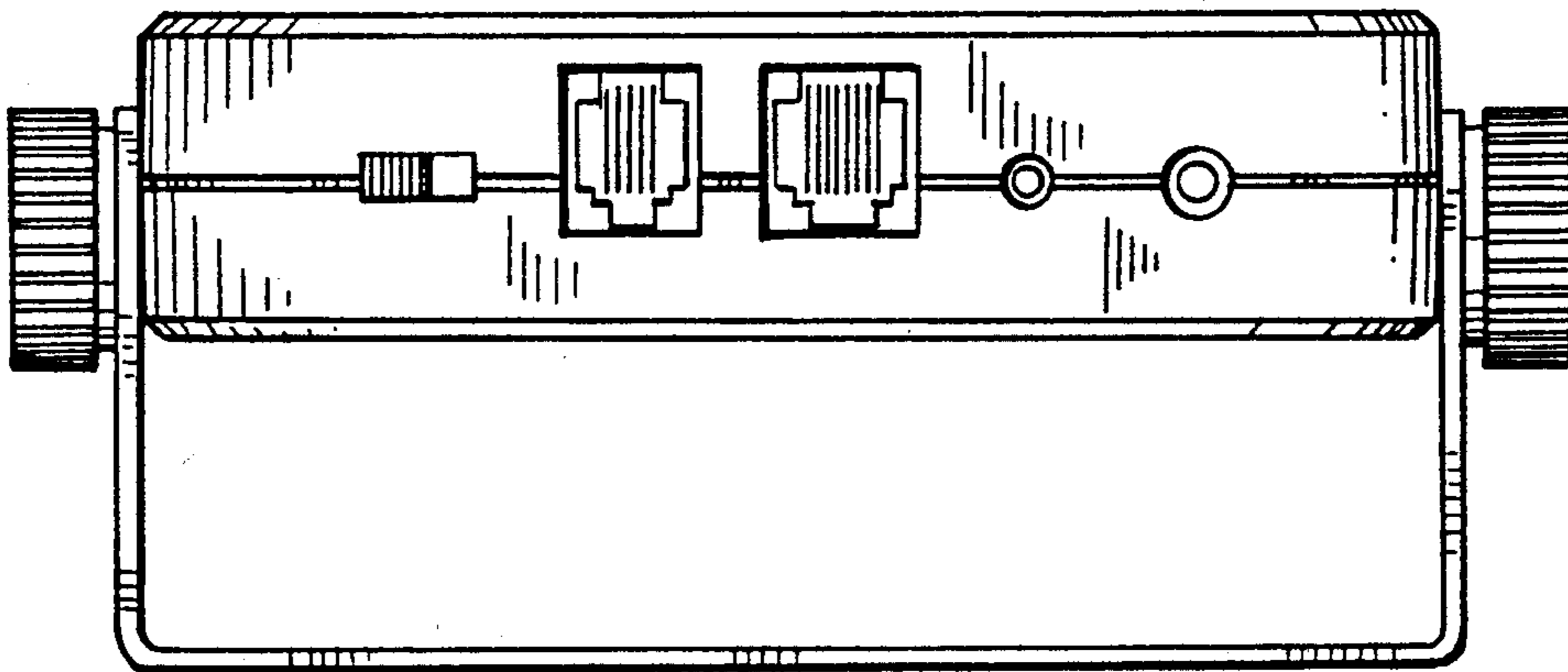


FIG. 6

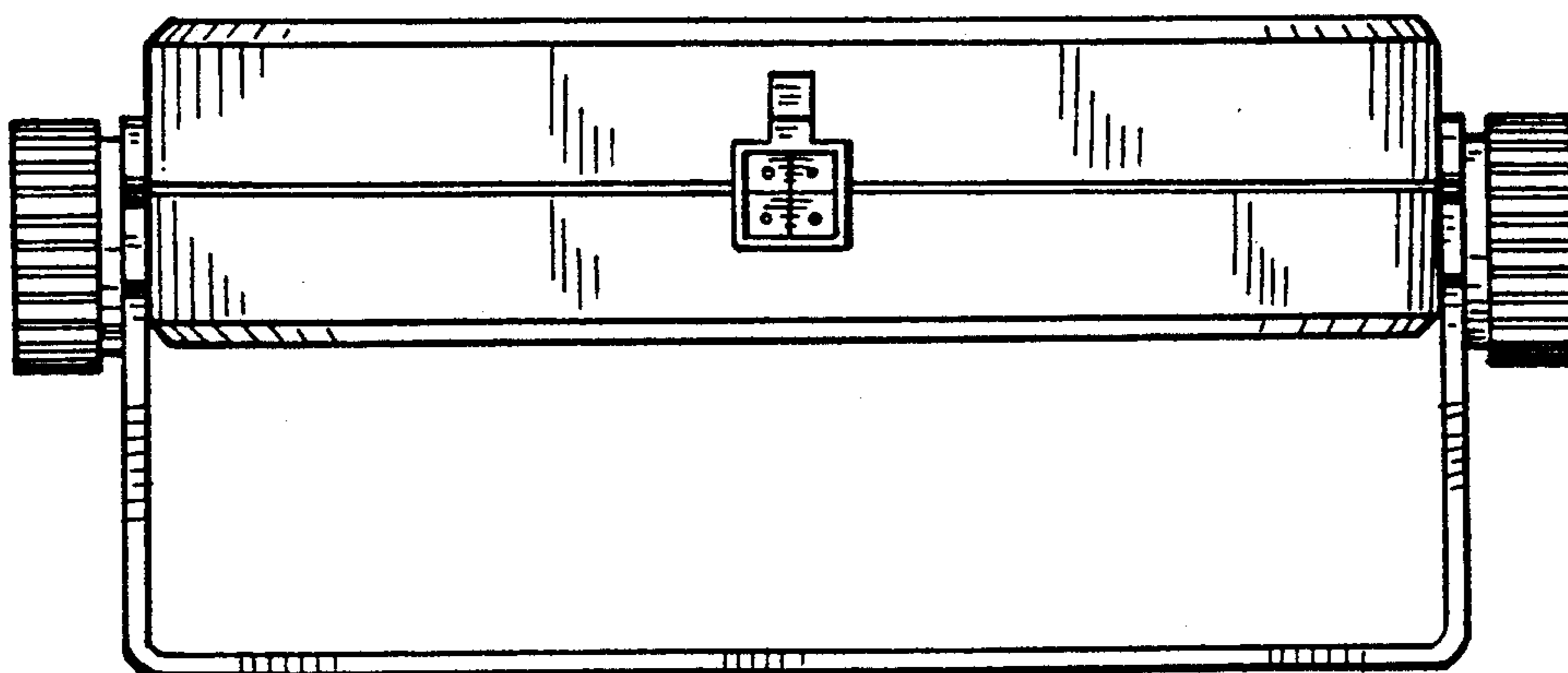


FIG. 7



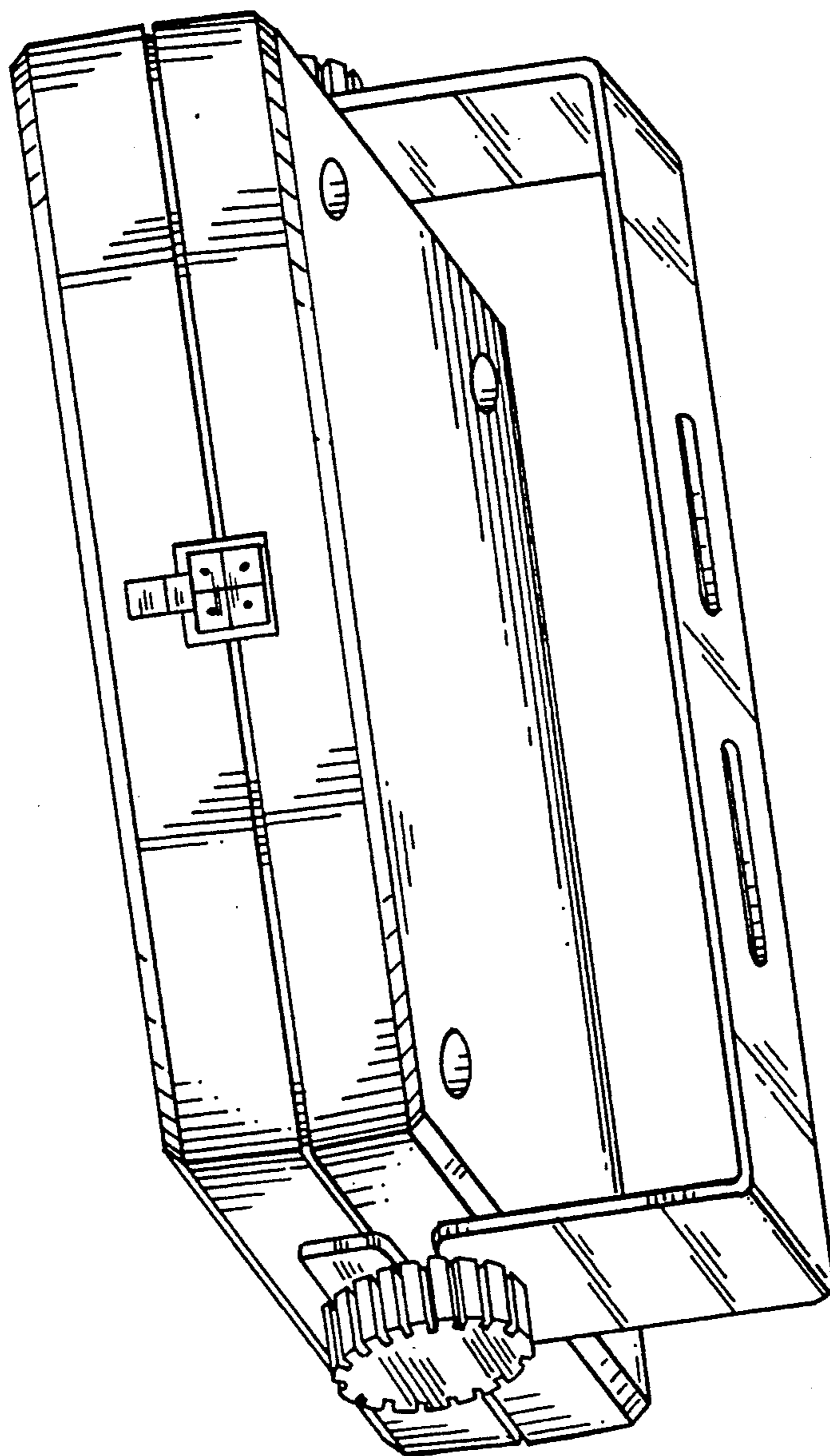


FIG. 8